



US00D586055S

(12) **United States Design Patent**
Libman et al.

(10) **Patent No.:** **US D586,055 S**
(45) **Date of Patent:** **** Feb. 3, 2009**

(54) **PORTION OF A MOP HANDLE**
(75) Inventors: **Robert J. Libman**, Arcola, IL (US);
Enzo Berti, Pianiga (IT)
(73) Assignee: **The Libman Company**, Arcola, IL (US)
(**) Term: **14 Years**
(21) Appl. No.: **29/298,435**
(22) Filed: **Dec. 5, 2007**

D474,869 S * 5/2003 Libman D32/50
D479,024 S * 8/2003 Libman D32/52
D511,032 S * 10/2005 Roberts D32/41
D522,702 S * 6/2006 Libman et al. D32/50
D531,367 S * 10/2006 Hay D32/44

* cited by examiner

Primary Examiner—Pamela J Burgess
(74) *Attorney, Agent, or Firm*—Banner & Witcoff, Ltd.

(51) **LOC (9) Cl.** **04-01**
(52) **U.S. Cl.** **D32/51**
(58) **Field of Classification Search** D32/50–52,
D32/40; D8/107, 8, 14, 75–77; D21/680–681;
D15/16; 30/122, 276, 347; 56/12.7, 17.5,
56/156–157, 198, 235, 255, 339, 291–295;
29/254; 16/110.1; 123/217; 173/90
See application file for complete search history.

(57) **CLAIM**

The ornamental design for a portion of a mop handle, as shown and described.

DESCRIPTION

FIG. 1 is a front right perspective view of a portion of a mop handle showing our new design;
FIG. 2 is a front view thereof;
FIG. 3 is a rear view thereof;
FIG. 4 is a right side view thereof;
FIG. 5 is a left side view thereof;
FIG. 6 is a top view thereof; and,
FIG. 7 is a bottom view thereof.

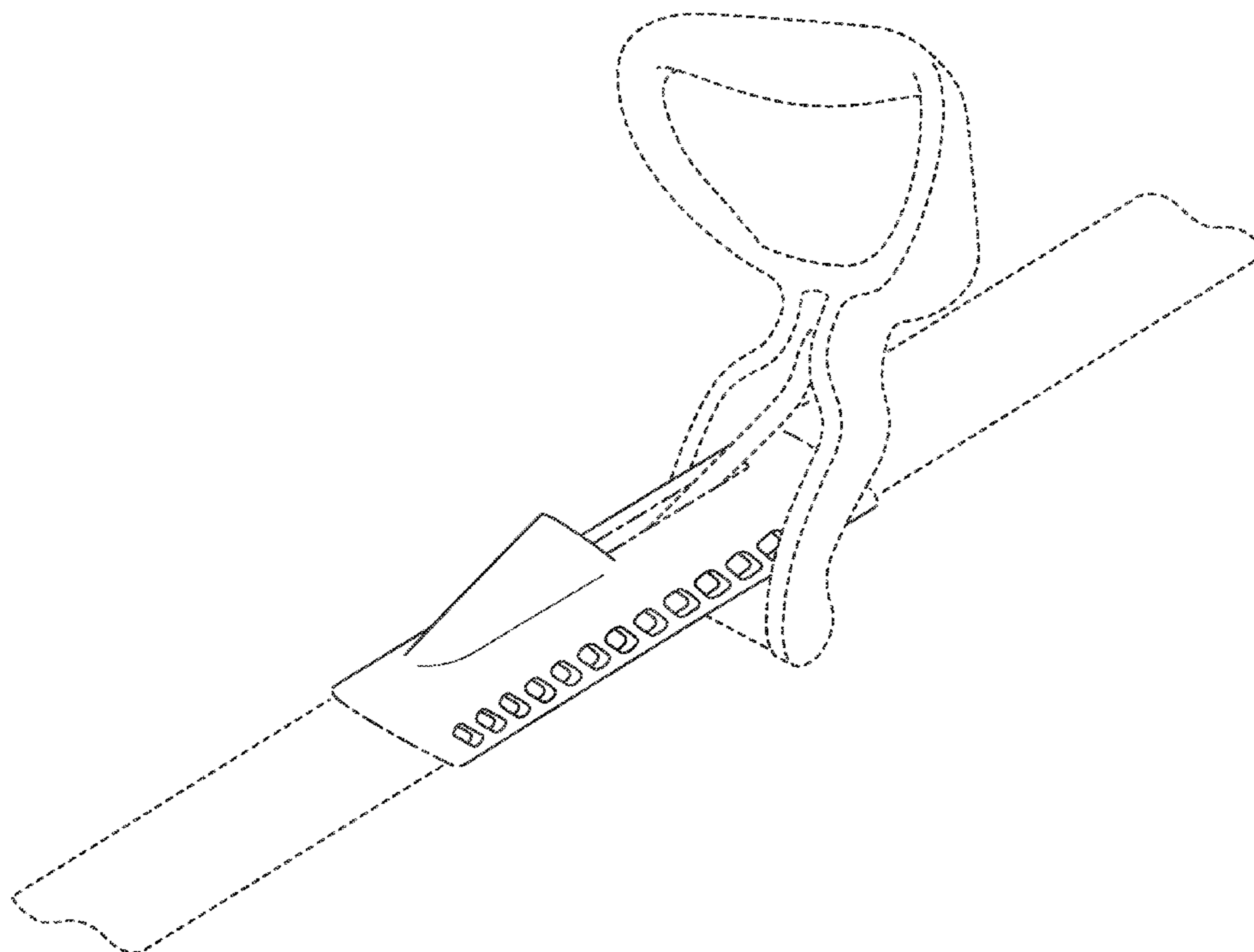
The dash-dot-dash broken lines immediately adjacent to the shaded areas represent unclaimed boundaries of the claimed design. The dotted broken lines are for illustrative purposes only and form no part of the claimed design.

(56) **References Cited**

U.S. PATENT DOCUMENTS

D255,764 S * 7/1980 Lombard D8/8
D256,769 S * 9/1980 Irelan D8/8
D301,009 S * 5/1989 Pilatowicz et al. D8/8
5,181,369 A * 1/1993 Everts 56/12.7
D387,526 S * 12/1997 Berti et al. D32/51
D406,225 S * 3/1999 Searle et al. D8/107
5,934,154 A * 8/1999 Noel 74/551.9
6,115,869 A * 9/2000 Libman 15/120.1

1 Claim, 7 Drawing Sheets



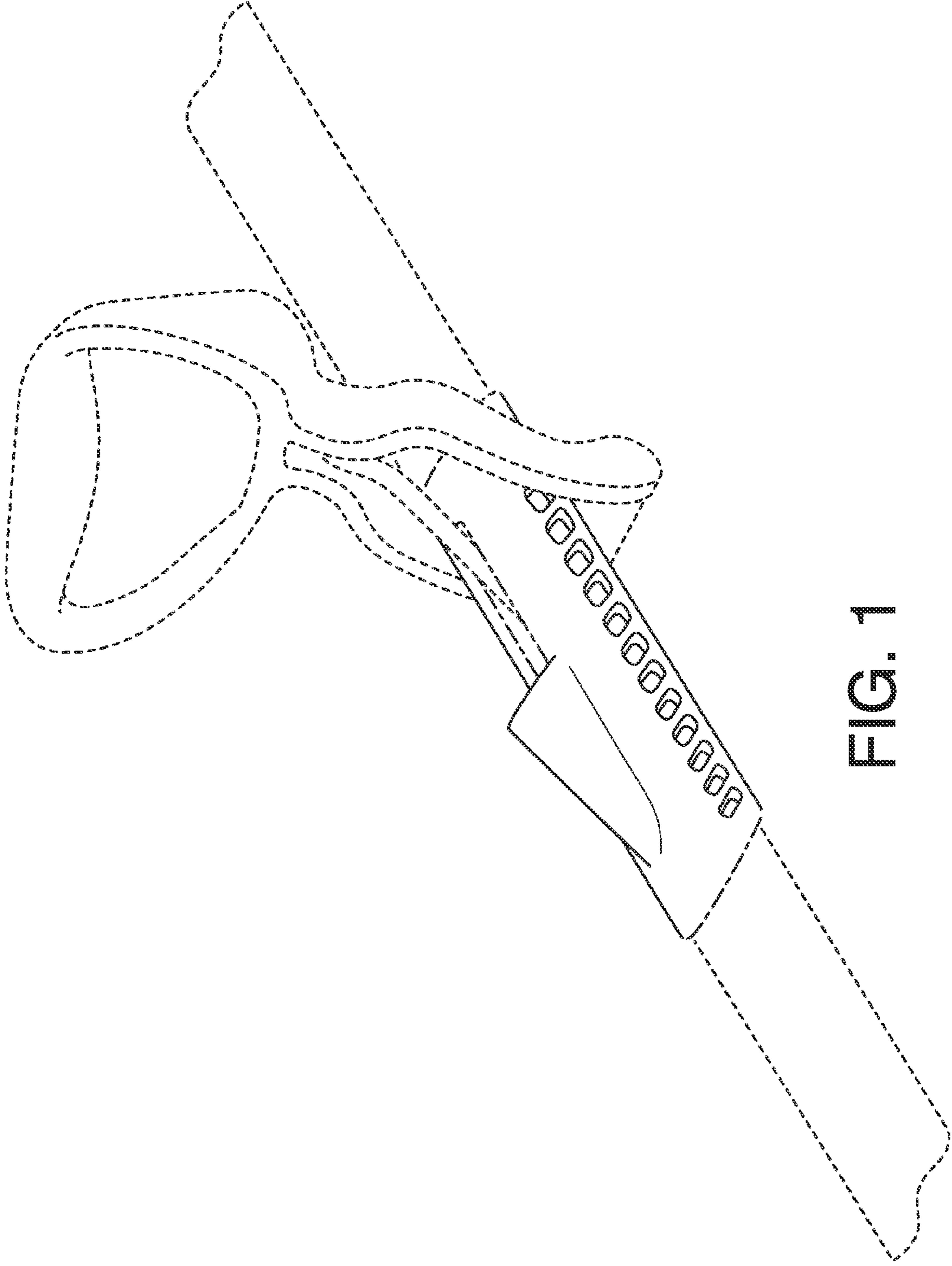


FIG. 1

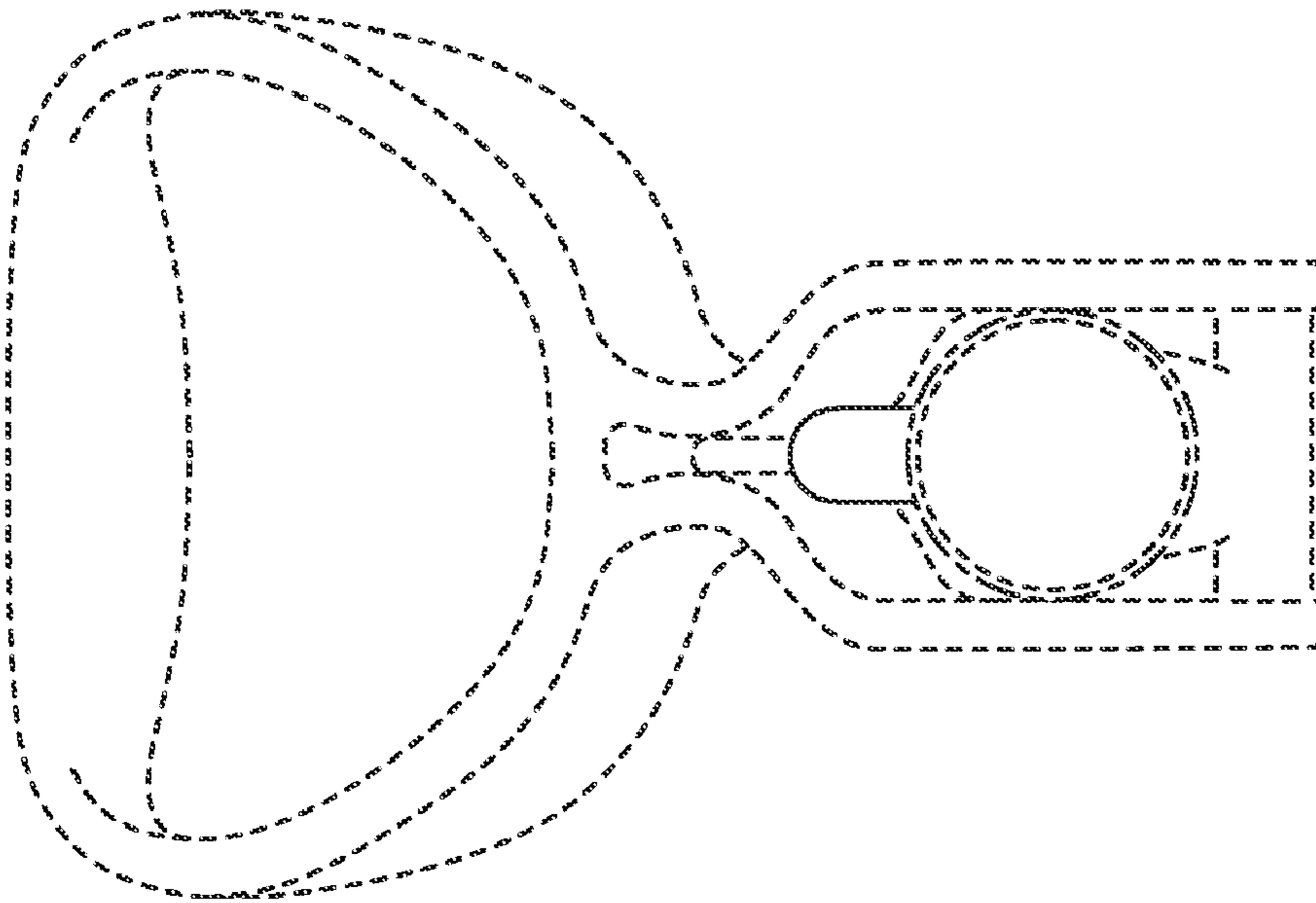


FIG. 2

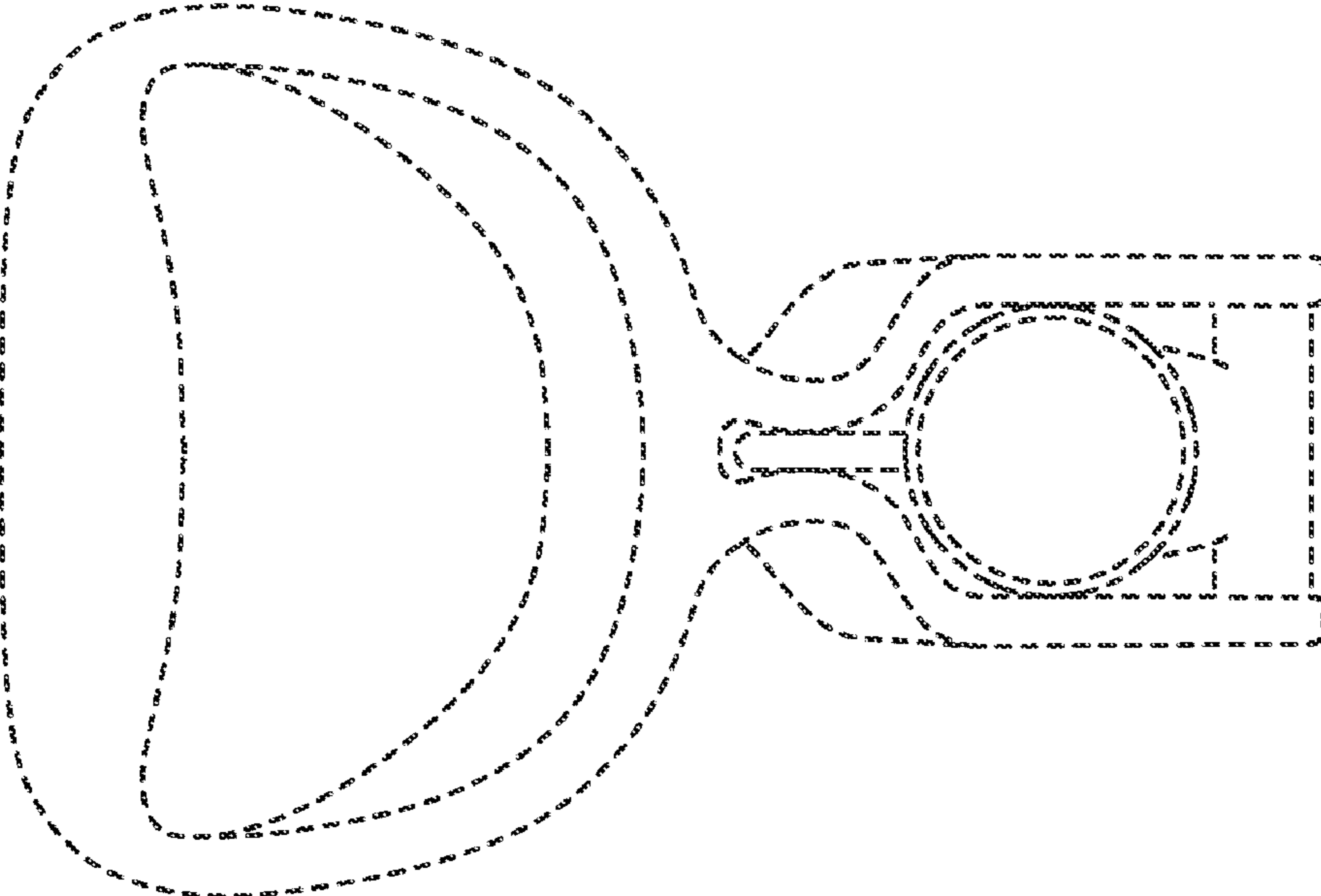


FIG. 3

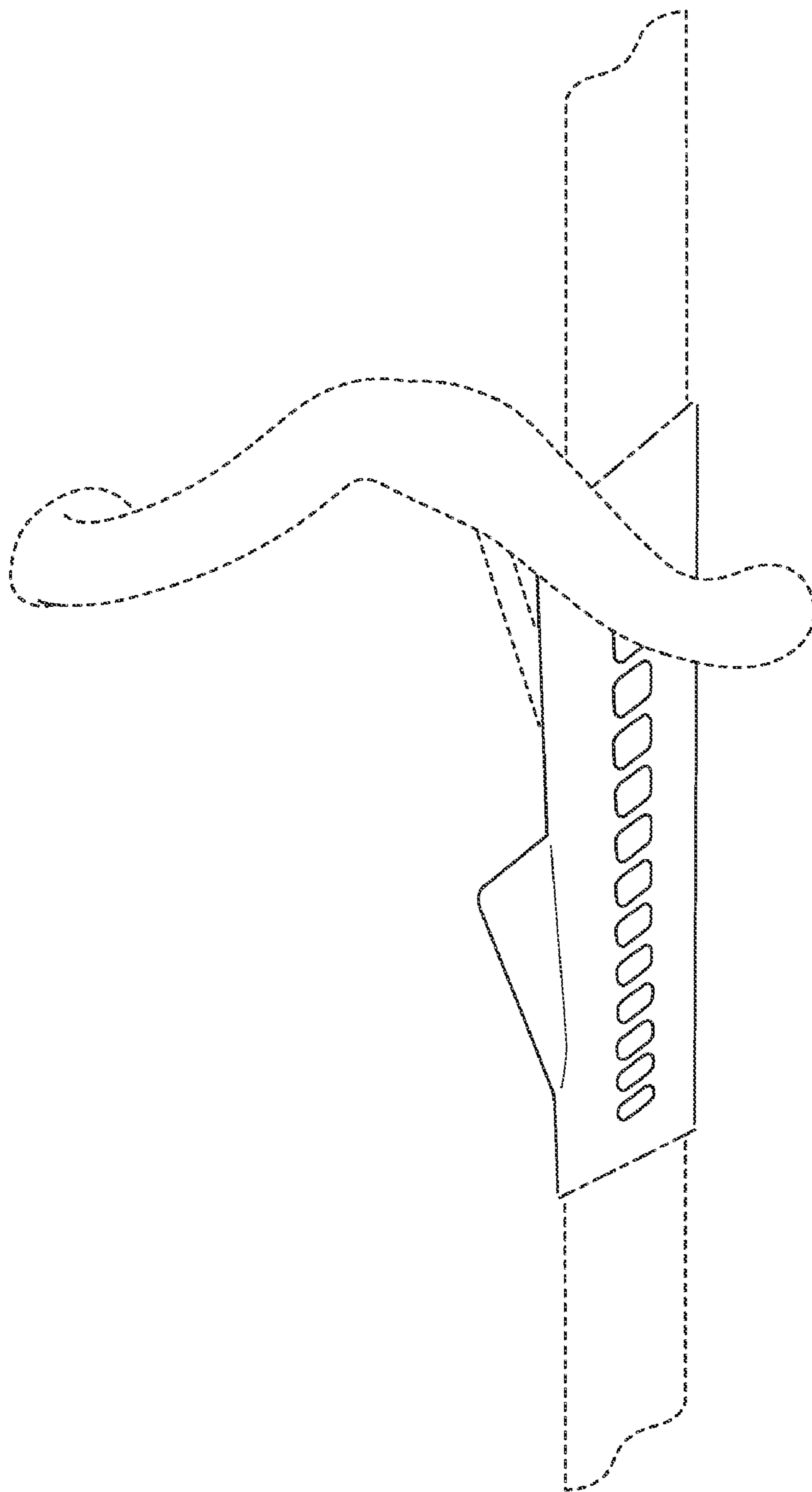


FIG. 4

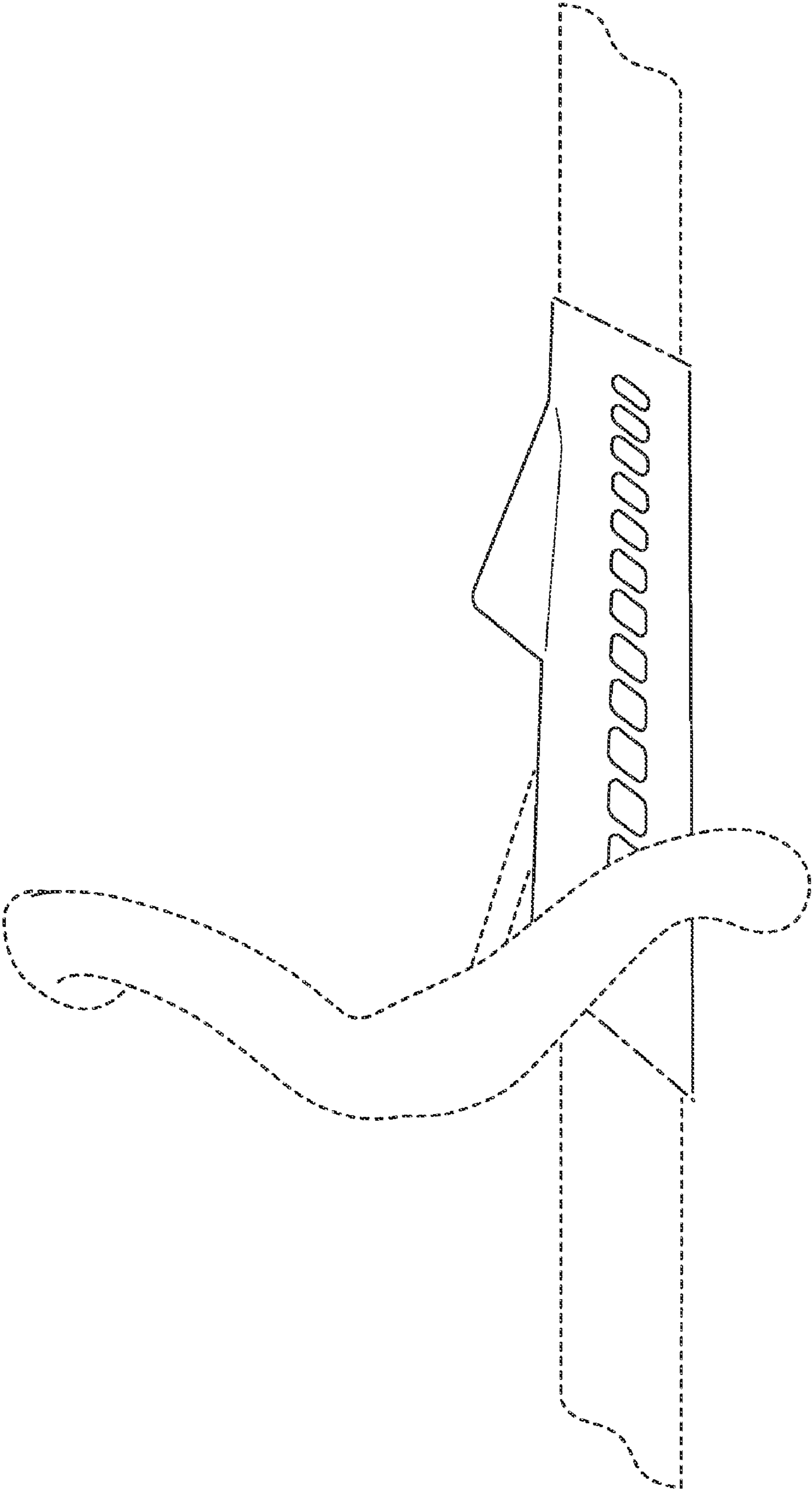


FIG. 5

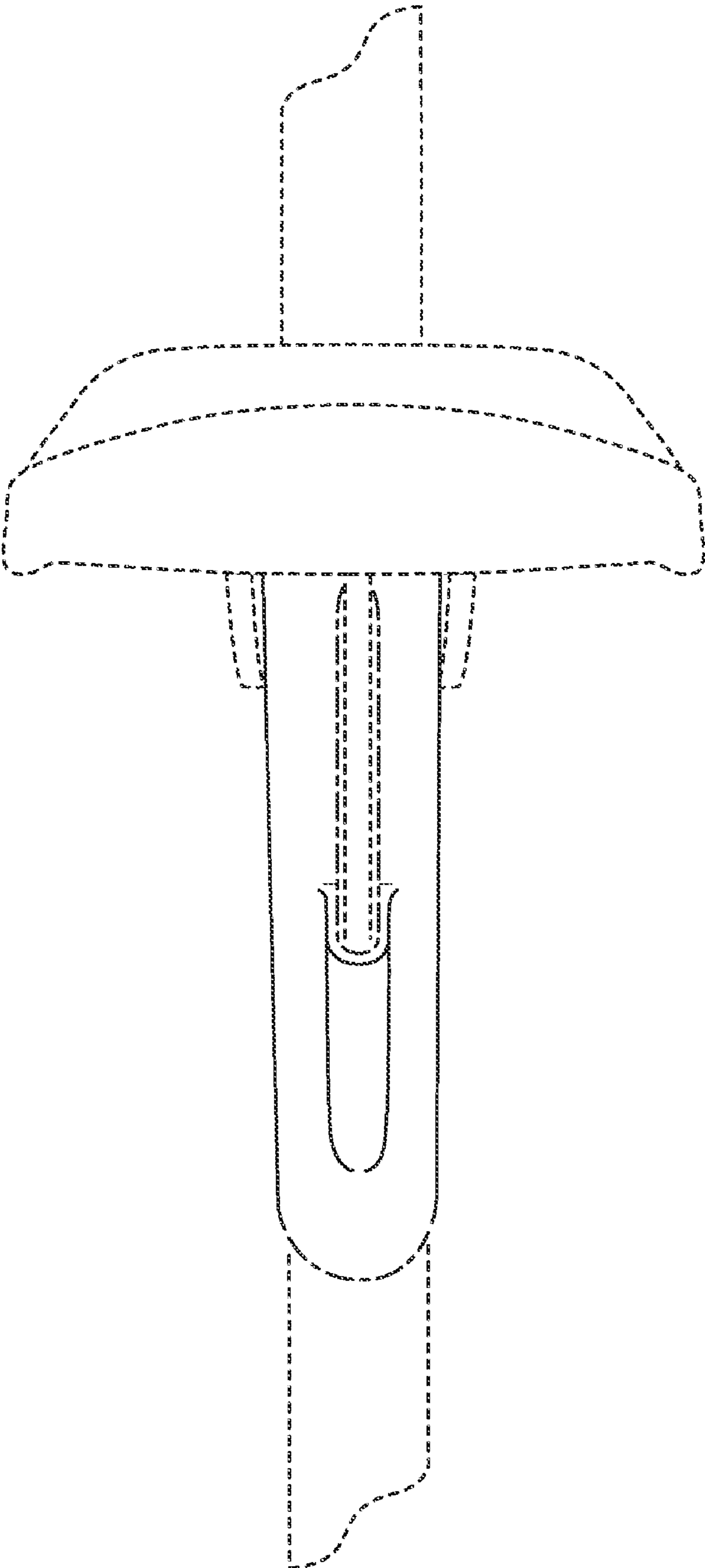


FIG.6

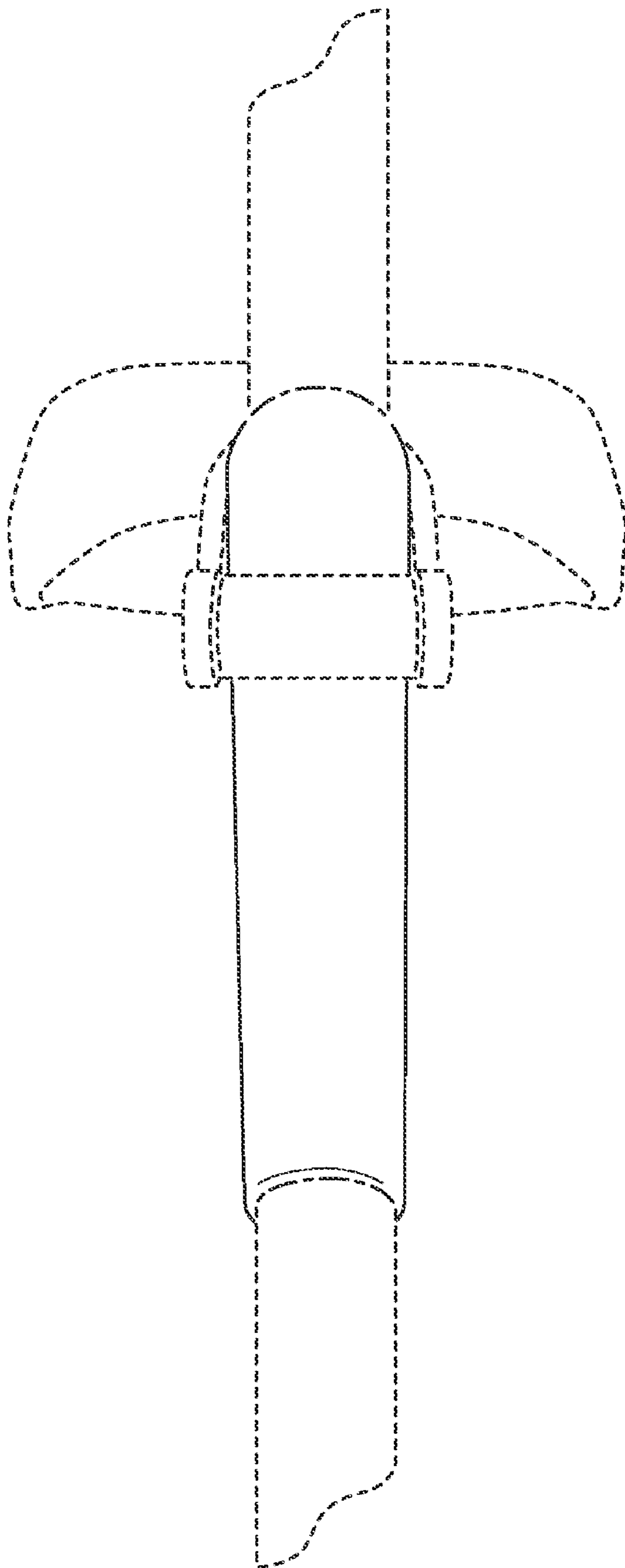


FIG. 7