



US00D586053S

(12) **United States Design Patent**  
**Lee**

(10) **Patent No.:** **US D586,053 S**  
(45) **Date of Patent:** **\*\* Feb. 3, 2009**

(54) **BRUSH FOR VACUUM CLEANER**

(75) Inventor: **Young Seok Lee**, Seoul (KR)

(73) Assignee: **Samsung Electronics Co., Ltd.**, Suwon (KR)

(\*\*) Term: **14 Years**

(21) Appl. No.: **29/307,577**

(22) Filed: **Apr. 28, 2008**

(51) **LOC (9) Cl.** ..... **15-05**

(52) **U.S. Cl.** ..... **D32/32**

(58) **Field of Classification Search** ..... D32/22,  
D32/32-33, 31, 21; 15/322, 400, 412, 415.1-416,  
15/417-422, 421.1, 329, 351, 361, 335, 414,  
15/387, 398

See application file for complete search history.

(56) **References Cited**

**U.S. PATENT DOCUMENTS**

D333,539 S *	2/1993	Kramer et al.	.....	D32/32
D507,854 S *	7/2005	Kim	.....	D32/32
D518,932 S *	4/2006	Maruyama et al.	.....	D32/32
D543,669 S *	5/2007	Ikeno et al.	.....	D32/32
D556,963 S *	12/2007	Houghton	.....	D32/32
D563,615 S *	3/2008	Roschi	.....	D32/32
D574,563 S *	8/2008	Fjellman et al.	.....	D32/22

2006/0162121 A1\* 7/2006 Naito et al. .... 15/416  
2007/0089263 A1\* 4/2007 Song et al. .... 15/415.1

\* cited by examiner

*Primary Examiner*—Ruth McInroy

(74) *Attorney, Agent, or Firm*—Ladas and Parry LLP

(57) **CLAIM**

I claim the ornamental design for brush for vacuum cleaner, as shown and described.

**DESCRIPTION**

FIG. 1 is a top, front and right-side perspective view of a brush for vacuum cleaner showing our new design;

FIG. 2 is a front-side elevational view thereof;

FIG. 3 is a rear-side elevational view thereof;

FIG. 4 is a left-side elevational view thereof;

FIG. 5 is a right-side elevational view thereof;

FIG. 6 is a top-side elevational view thereof;

FIG. 7 is a bottom-side elevational view thereof; and,

FIG. 8 is a top, front and right-side perspective view thereof, showing the brush connected to a vacuum cleaner.

The broken lines in FIGS. 7 and 8 are for illustrative purposes only and form no part of the claimed design.

**1 Claim, 3 Drawing Sheets**

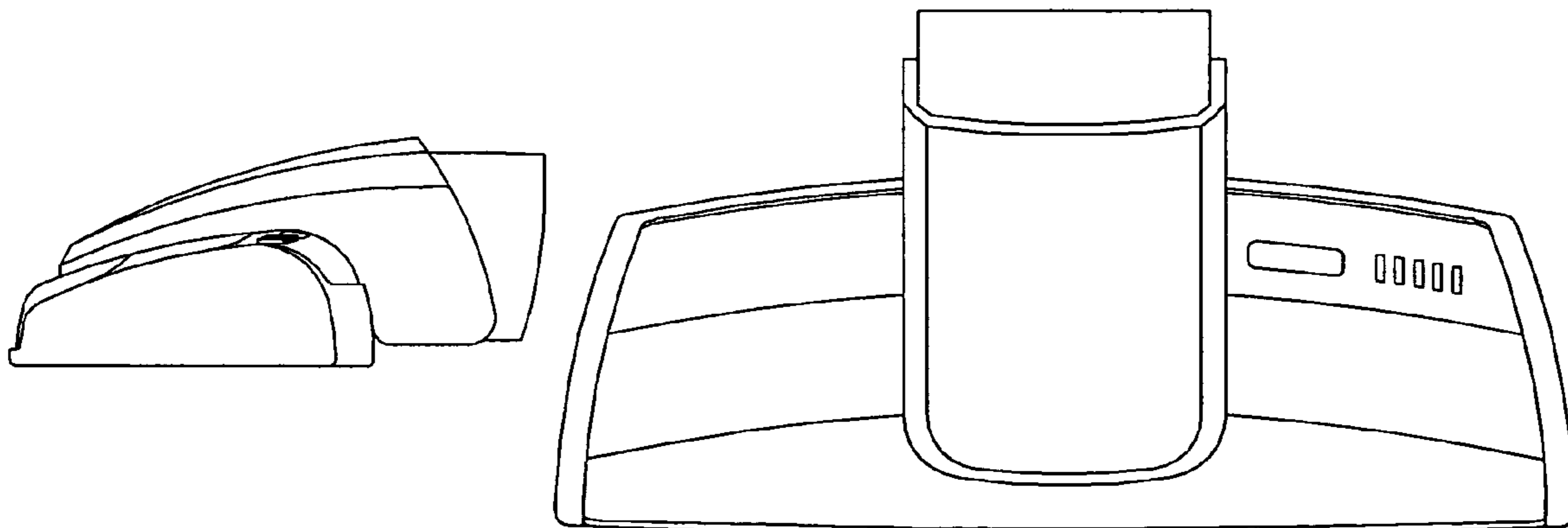


FIG. 1

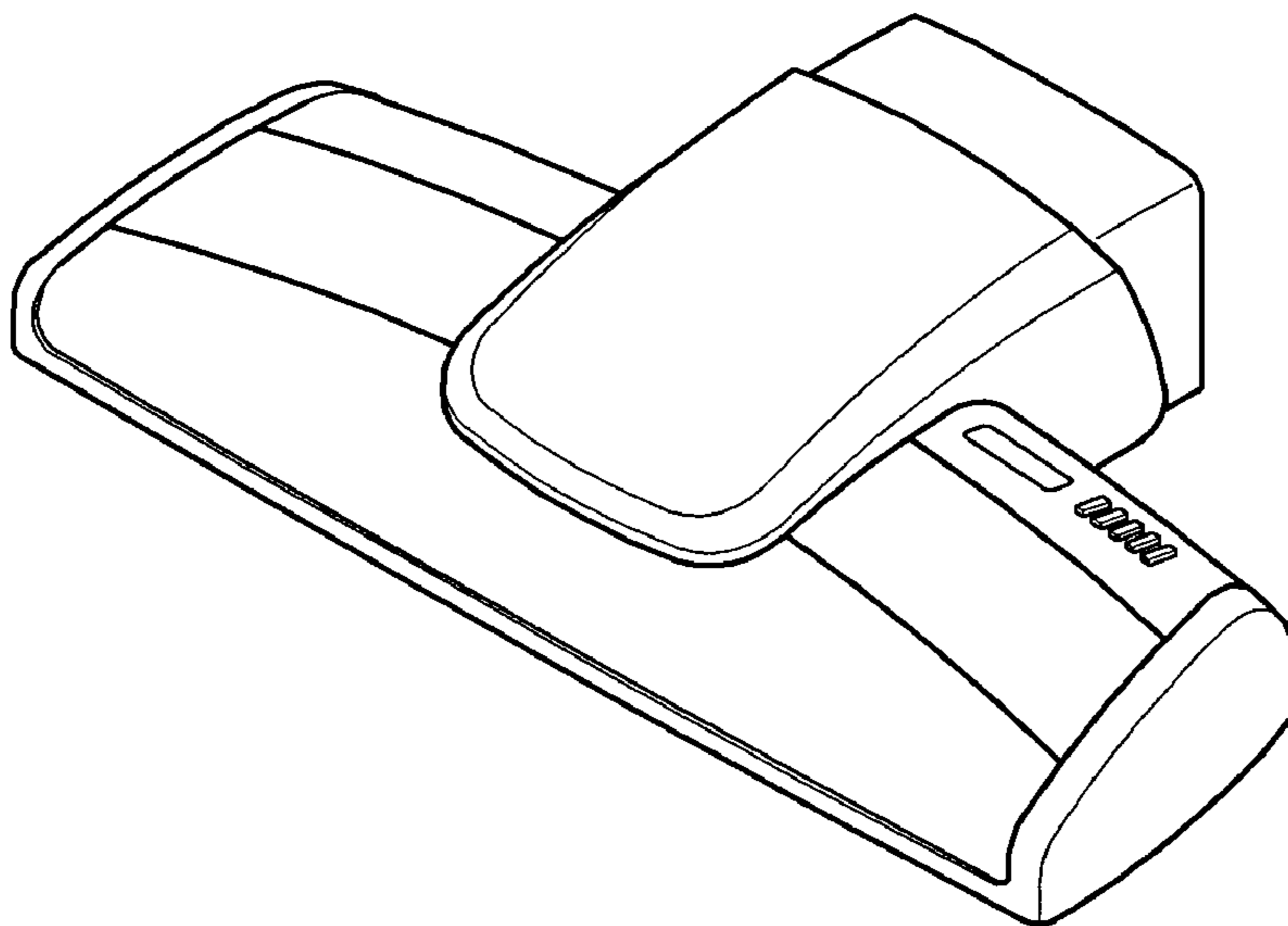


FIG. 2

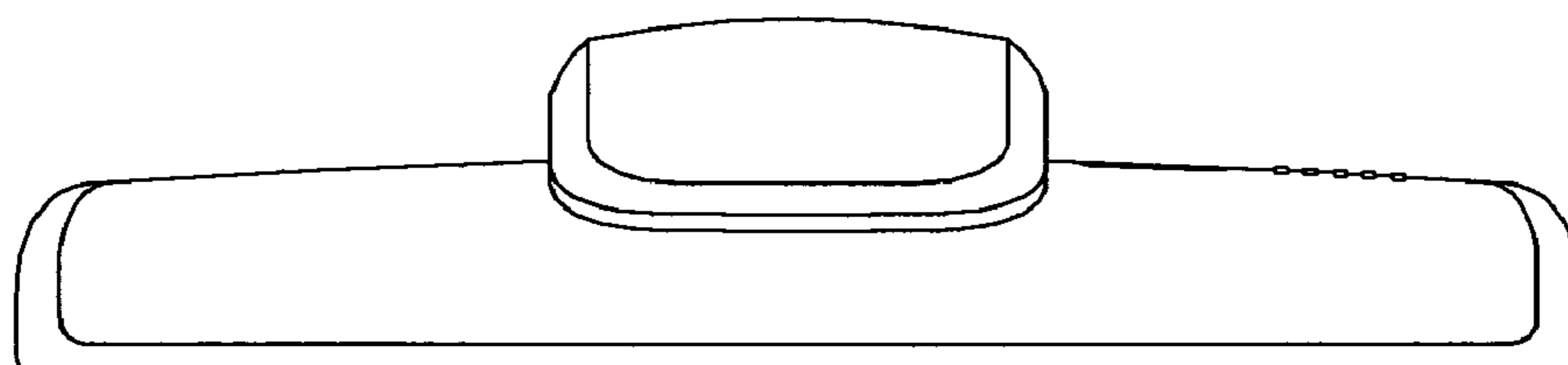
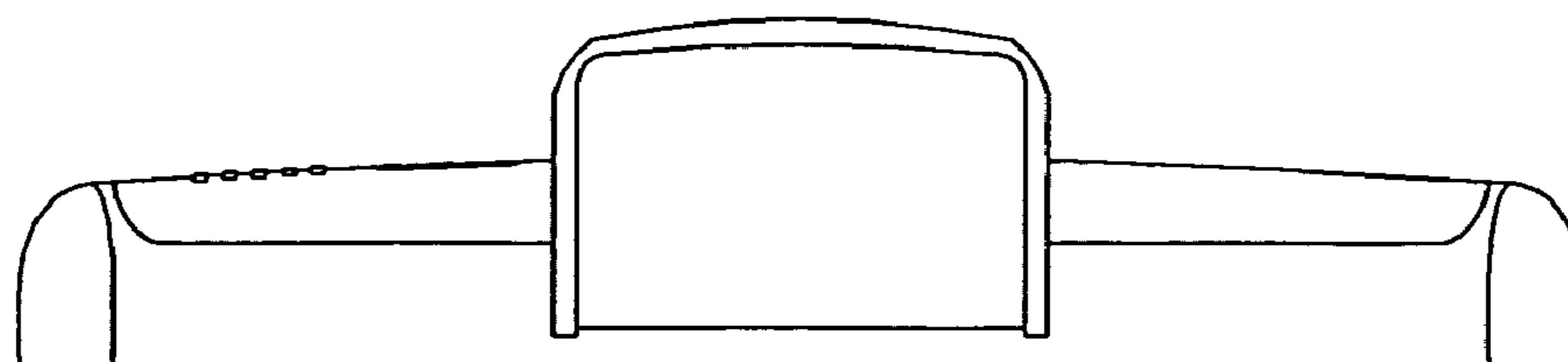
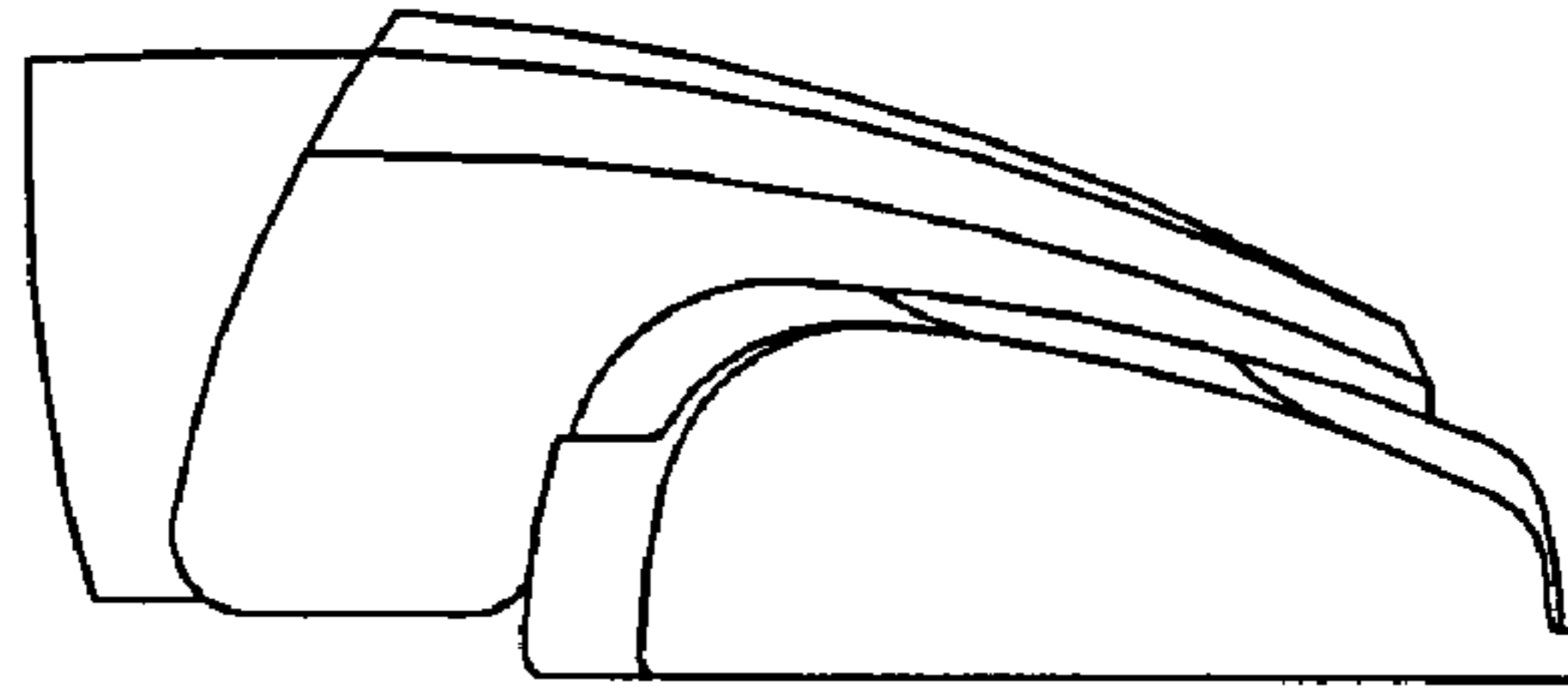


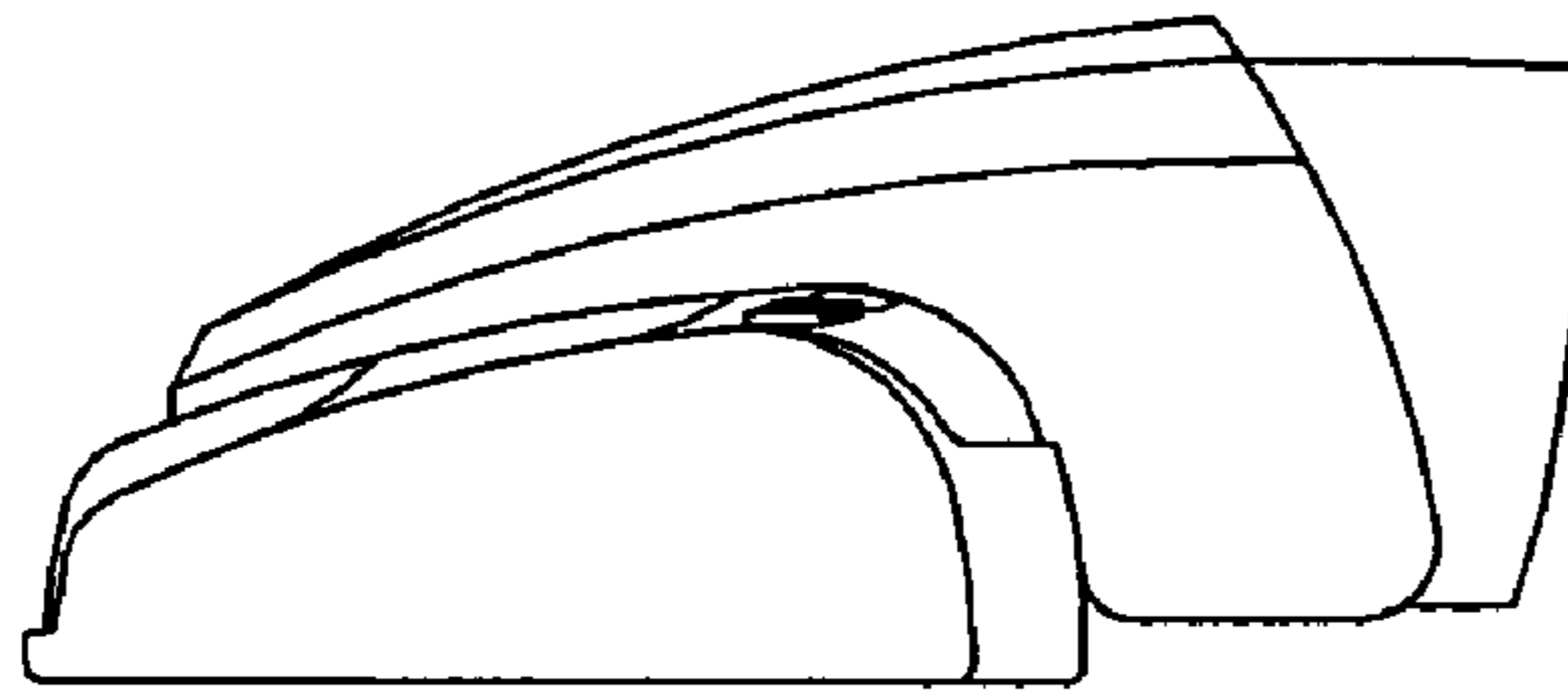
FIG. 3



**FIG. 4**



**FIG. 5**



**FIG. 6**

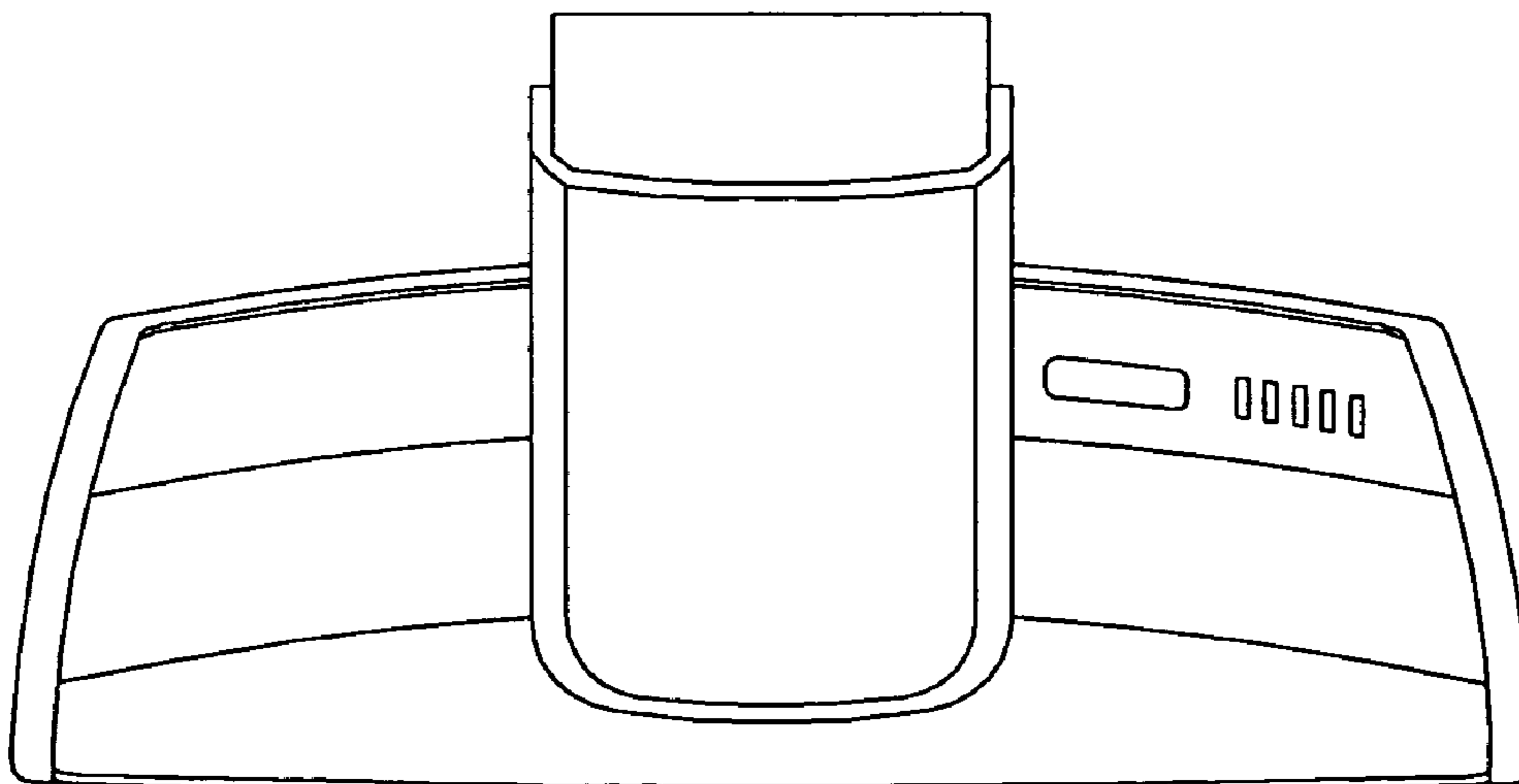


FIG. 7

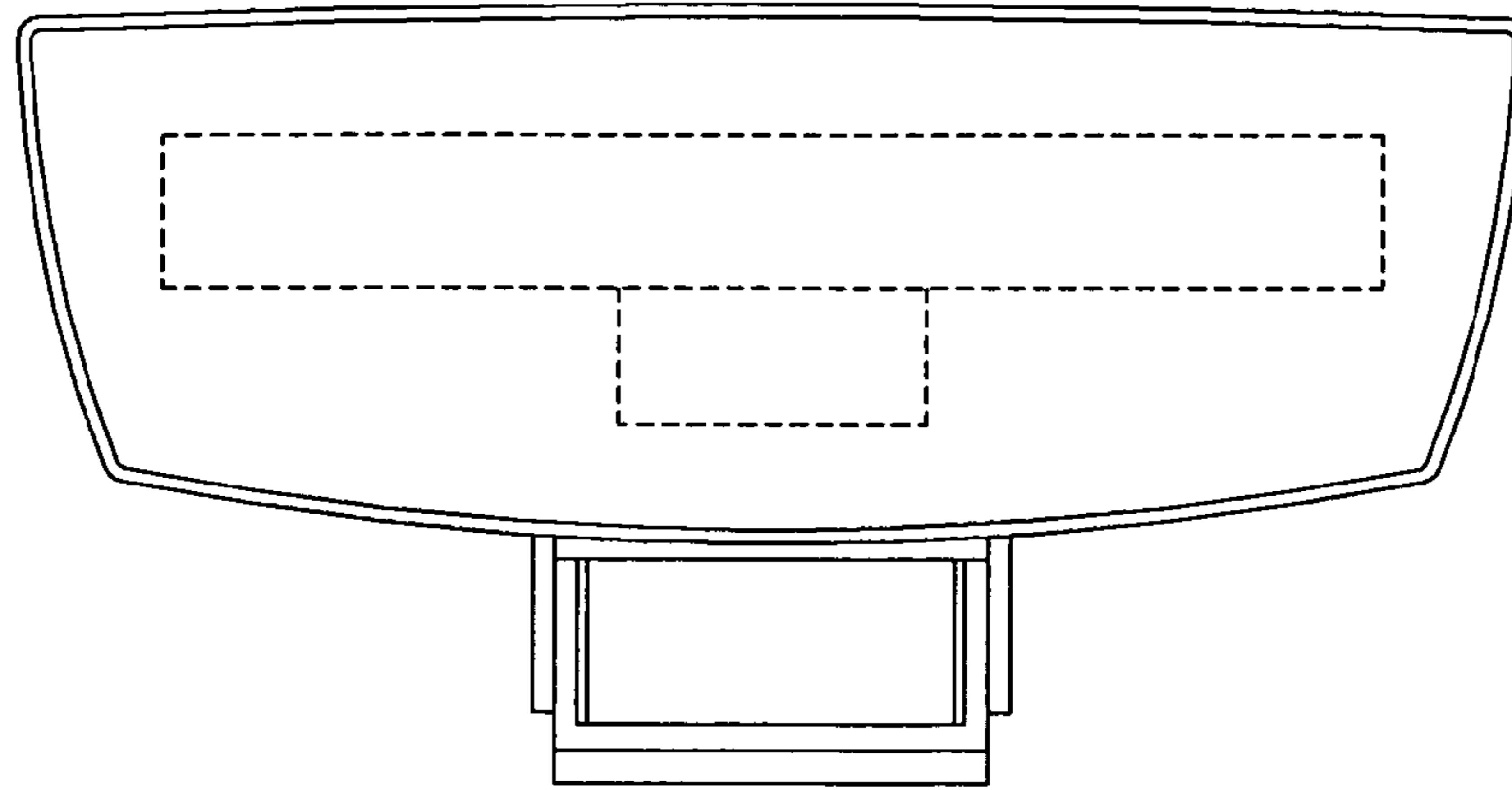


FIG. 8

