



US00D586052S

(12) **United States Design Patent**  
**Elias**

(10) **Patent No.:** **US D586,052 S**  
(45) **Date of Patent:** **\*\* Feb. 3, 2009**

(54) **HARD HAT SUN SHADE**

(76) Inventor: **Marta J. Elias**, 6210 Whitsett Ave.,  
Apartment 209, North Hollywood, FL  
(US) 91606

(\*\*) Term: **14 Years**

(21) Appl. No.: **29/296,865**

(22) Filed: **Oct. 30, 2007**

(51) **LOC (9) Cl.** ..... **29-02**

(52) **U.S. Cl.** ..... **D29/122**

(58) **Field of Classification Search** ..... D29/108,  
D29/110, 111, 122; 2/7, 8.1-8.8, 9-11, 15,  
2/6.3, 6.5, 6.7, 424, 427, 429, 174, 206, 207  
See application file for complete search history.

(56) **References Cited**

U.S. PATENT DOCUMENTS

- 3,828,366 A \* 8/1974 Conrad et al. .... 2/174
- 4,920,576 A \* 5/1990 Landis ..... 2/9
- 5,025,507 A \* 6/1991 Kirby ..... 2/206
- D318,147 S \* 7/1991 Russell ..... D29/110
- 5,035,004 A \* 7/1991 Koester ..... 2/206
- 5,355,535 A 10/1994 Bruder
- 5,493,734 A 2/1996 Nieves-Rivera

- 5,603,120 A 2/1997 Gifford
- 5,617,584 A \* 4/1997 Brennan ..... 2/206
- 5,970,514 A \* 10/1999 Wang-Lee ..... 2/9
- D539,987 S \* 4/2007 Love ..... D29/110

\* cited by examiner

*Primary Examiner*—Ruth McInroy

(57) **CLAIM**

The ornamental design for a hard hat sun shade, as shown and described.

**DESCRIPTION**

FIG. 1 is a front elevation view of a hard hat sun shade showing my new design;

FIG. 2 is a rear elevation view thereof;

FIG. 3 is a right elevation view thereof;

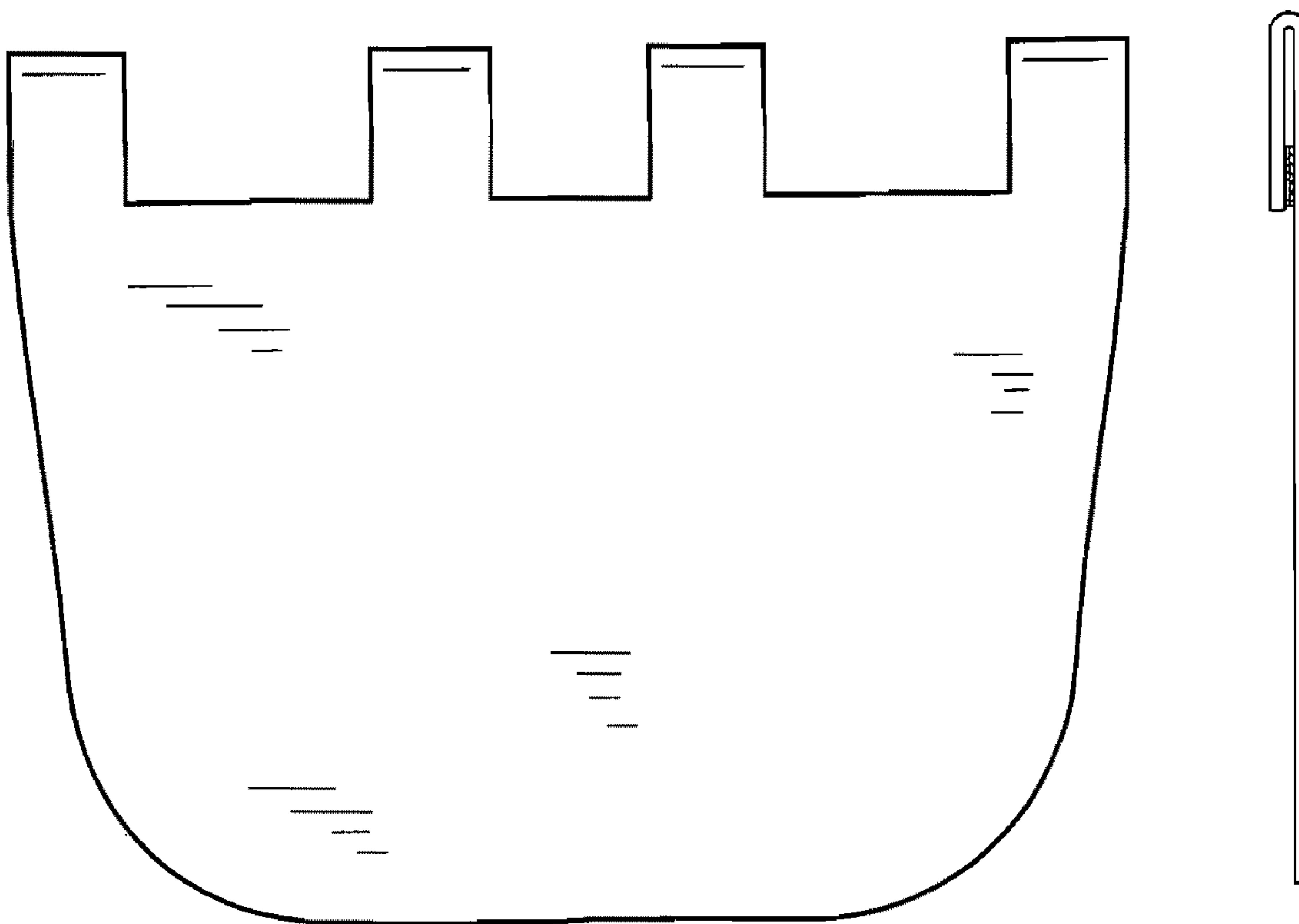
FIG. 4 is a top plan view thereof;

FIG. 5 is a bottom plan view thereof; and,

FIG. 6 is a perspective view thereof.

The broken lines shown in FIG. 6 are for illustrative purposes only and form no part of the claimed design.

**1 Claim, 3 Drawing Sheets**



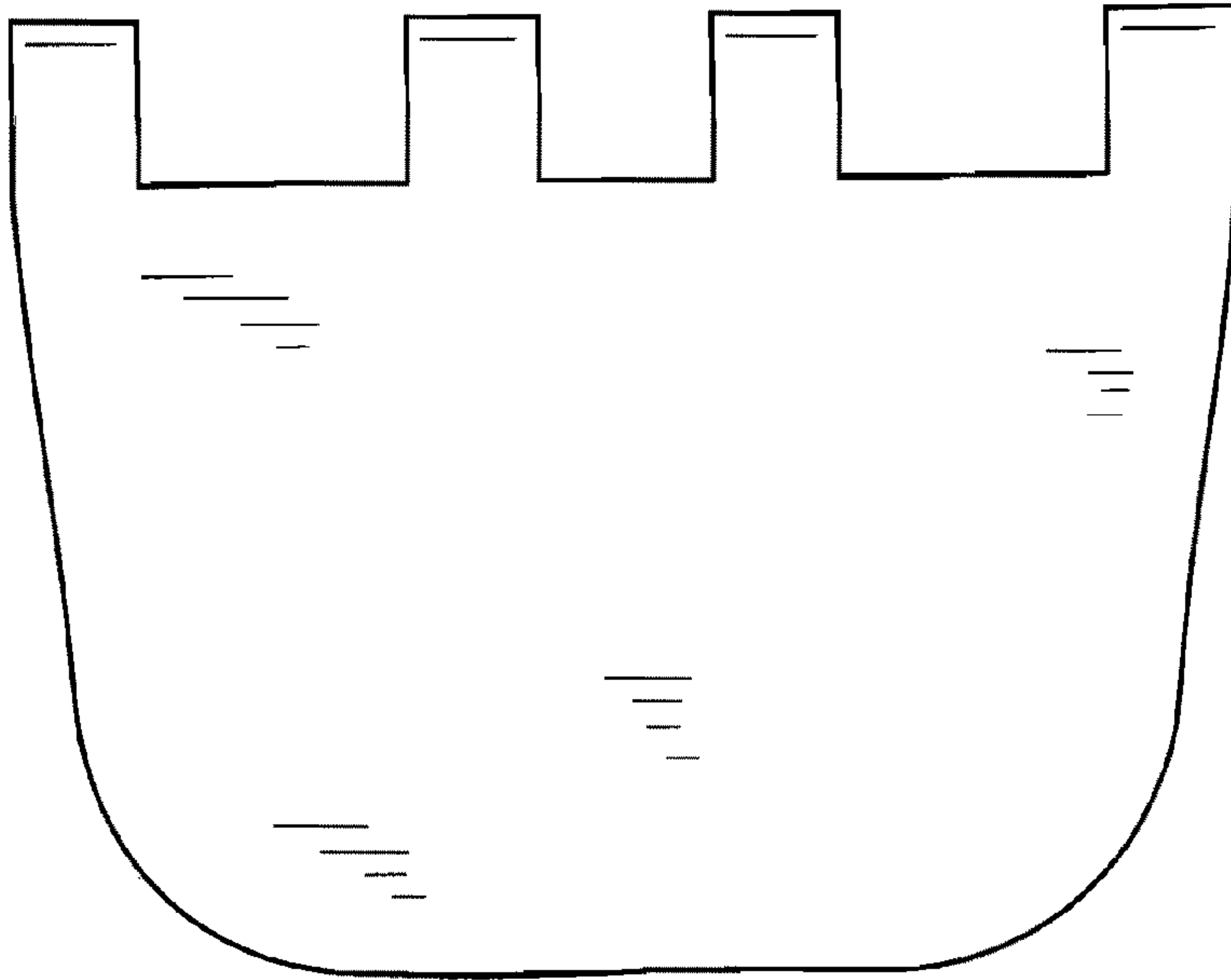


FIG. 1

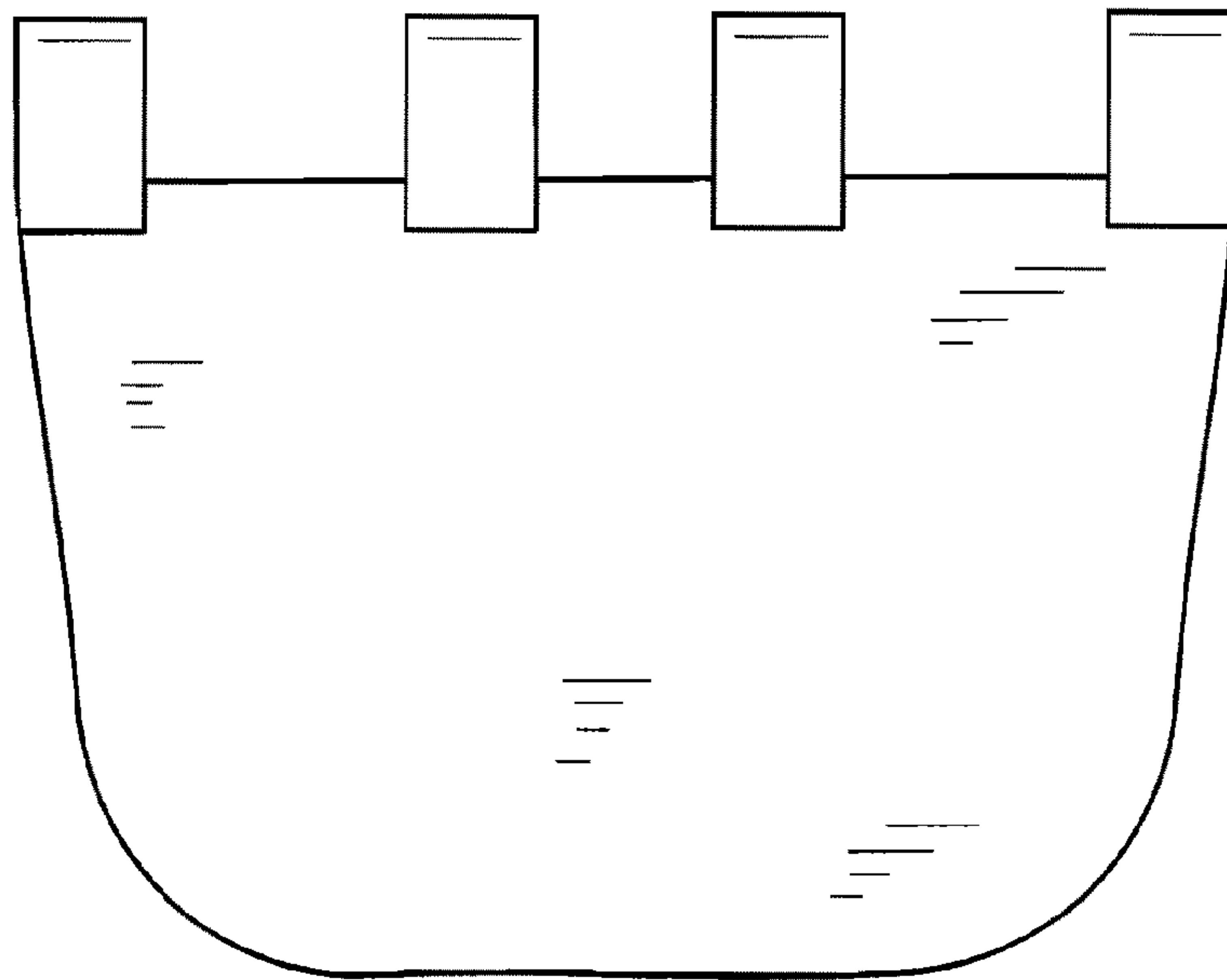


FIG. 2



FIG. 3

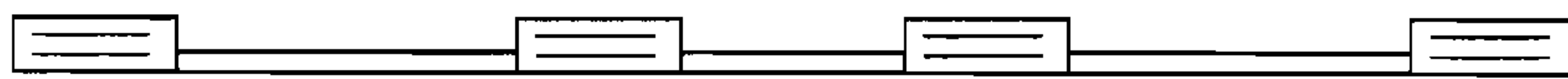


FIG. 4

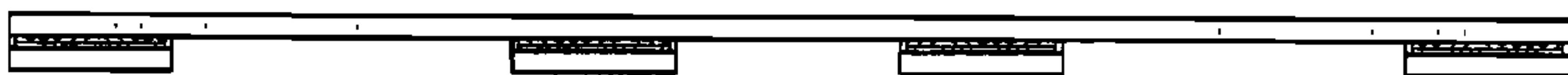


FIG. 5

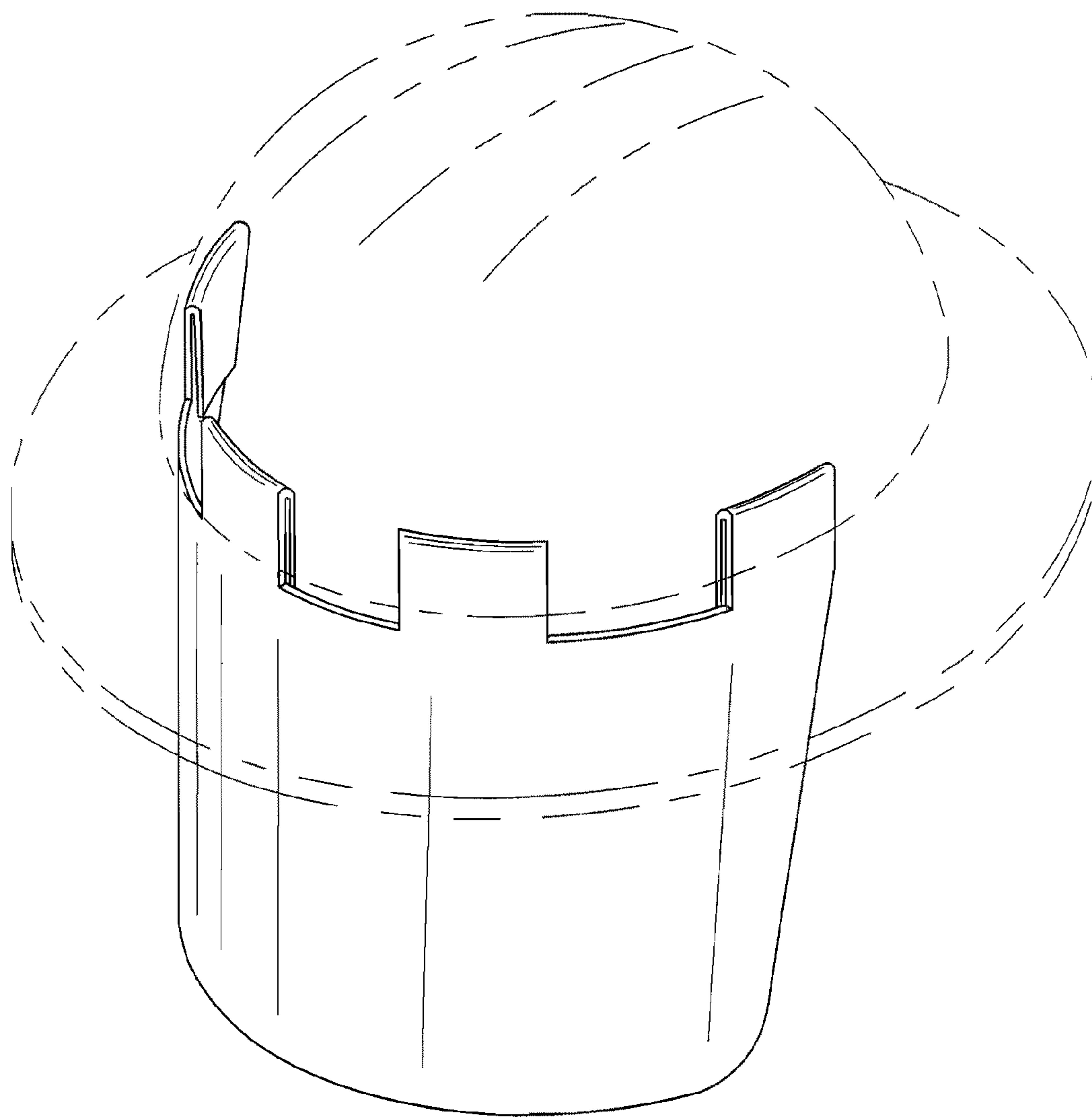


FIG. 6