



US00D586047S

(12) **United States Design Patent**
Hartstock et al.

(10) **Patent No.:** **US D586,047 S**

(45) **Date of Patent:** **** Feb. 3, 2009**

(54) **APPLICATOR FOR LIP COSMETICS**

(75) Inventors: **Karl Hartstock**, Anshbach (DE);
Daniela Kulik, Feuchtwangen (DE)

(73) Assignee: **Geka Brush GmbH**,
Bechhofen-Waizendorf (DE)

(**) Term: **14 Years**

(21) Appl. No.: **29/299,657**

(22) Filed: **Dec. 31, 2007**

(30) **Foreign Application Priority Data**

Jun. 29, 2007 (EM) 000749684-0001

(51) **LOC (9) Cl.** **28-03**

(52) **U.S. Cl.** **D28/76; D28/85; D28/7**

(58) **Field of Classification Search** D28/7,
D28/76, 77, 85-90; 401/202, 126-130; D9/500,
D9/503-505, 723-729; 206/581, 823, 385;
132/316-318, 320

See application file for complete search history.

(56) **References Cited**

U.S. PATENT DOCUMENTS

D537,564 S * 2/2007 Montoli D28/7

D541,979 S * 5/2007 Montoli D28/7
D544,644 S * 6/2007 Hartstock et al. D28/76
D566,331 S * 4/2008 Hartstock D28/85
2006/0065282 A1 * 3/2006 Hartstock et al. 132/320
2007/0181143 A1 * 8/2007 Montoli 132/320
2008/0152419 A1 * 6/2008 Hartstock et al. 401/126

* cited by examiner

Primary Examiner—Jennifer Rivard

(74) *Attorney, Agent, or Firm*—Browdy and Neimark,
P.L.L.C.

(57) **CLAIM**

The ornamental design for applicator for lip cosmetics, as shown and described.

DESCRIPTION

FIG. 1 is a front view of applicator for lip cosmetics, showing our new design;

FIG. 2 is a rear view thereof;

FIG. 3 is a top view thereof;

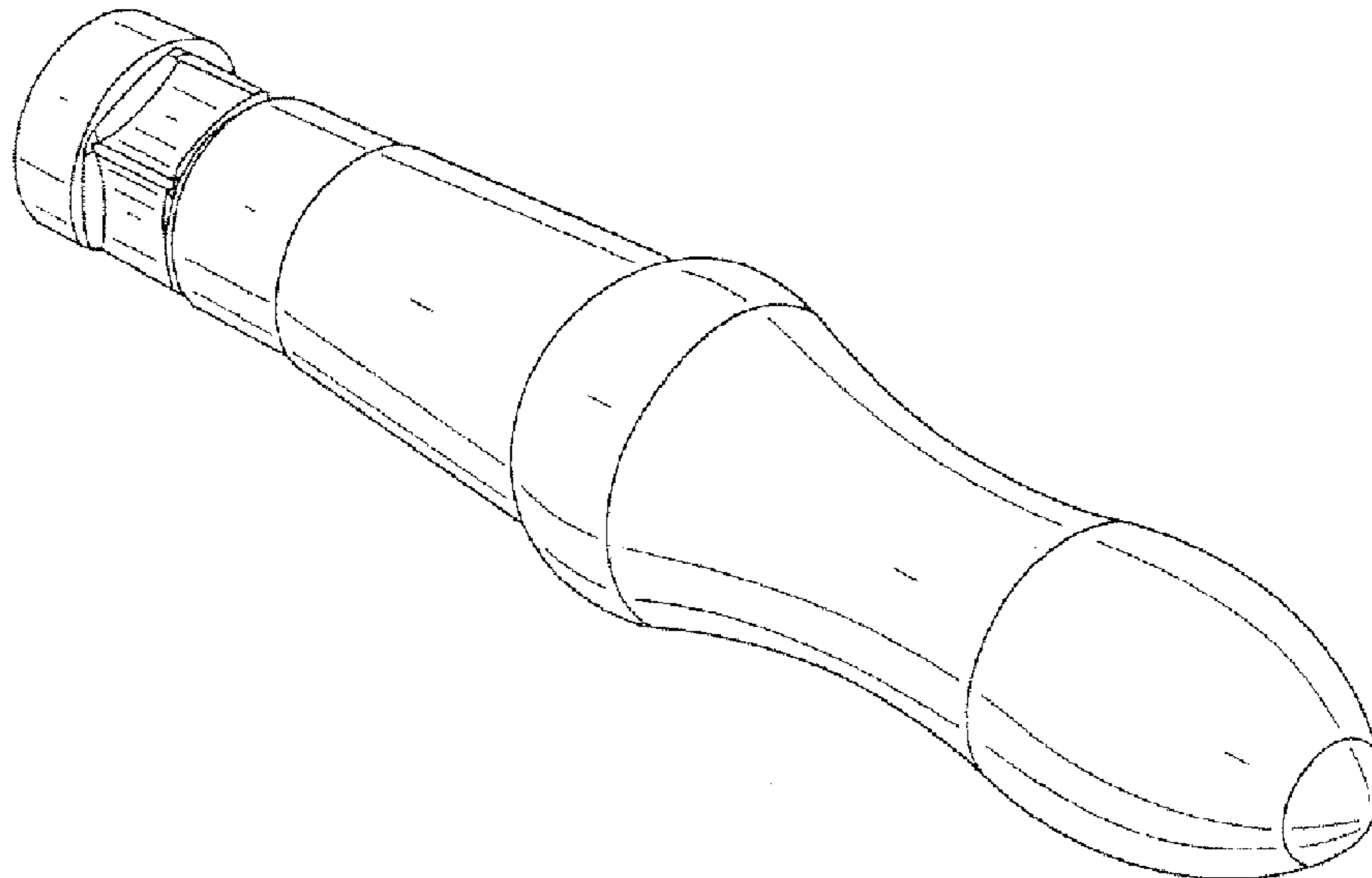
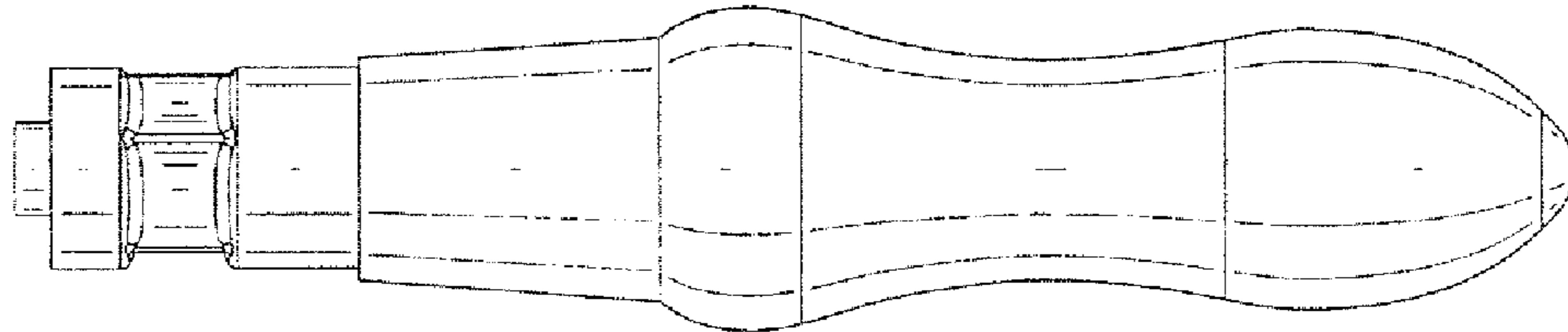
FIG. 4 is a bottom view thereof;

FIG. 5 is a lateral view (right side) thereof;

FIG. 6 is a lateral view (left side) thereof; and,

FIG. 7 is a perspective view thereof.

1 Claim, 3 Drawing Sheets



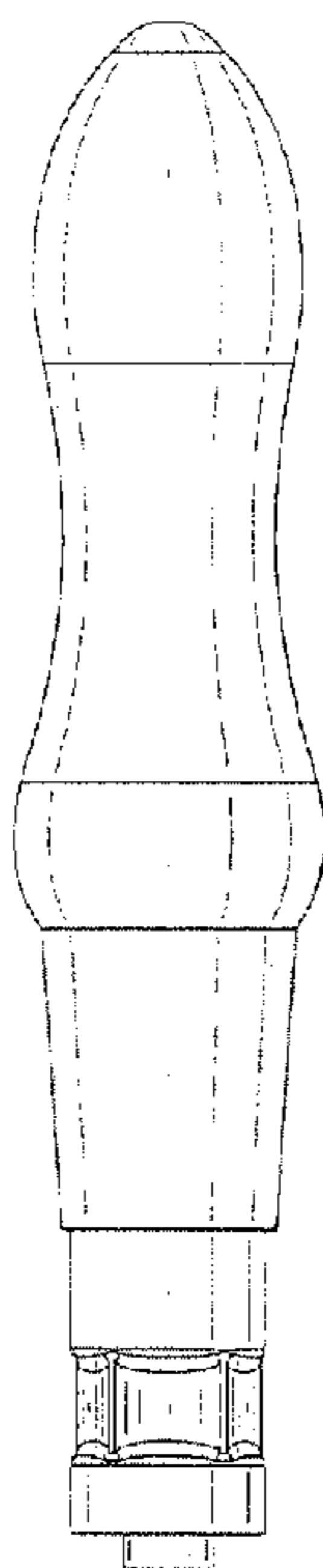


FIG. 1

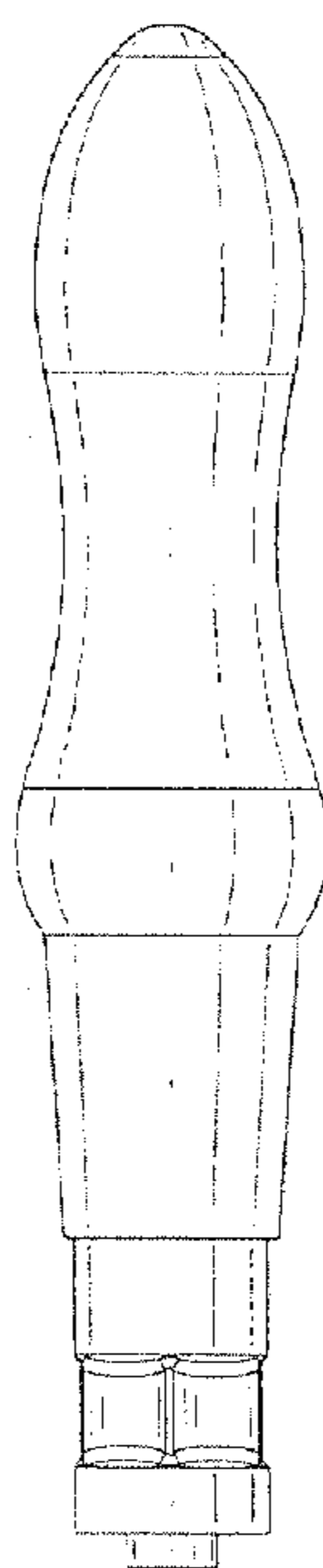


FIG. 2

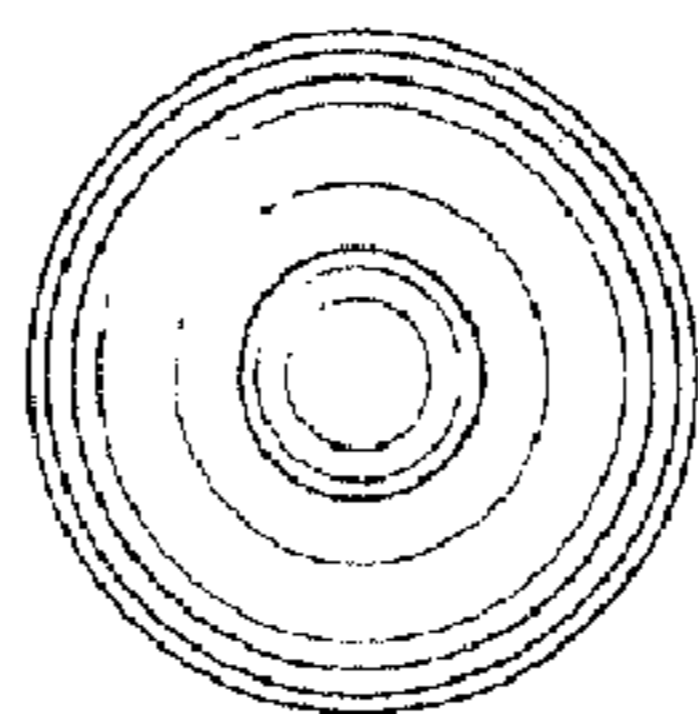


FIG. 3

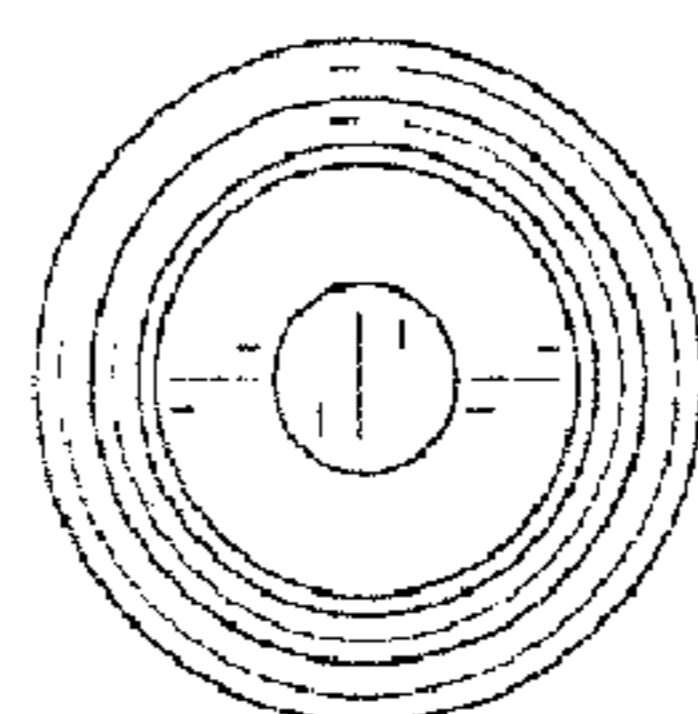


FIG. 4

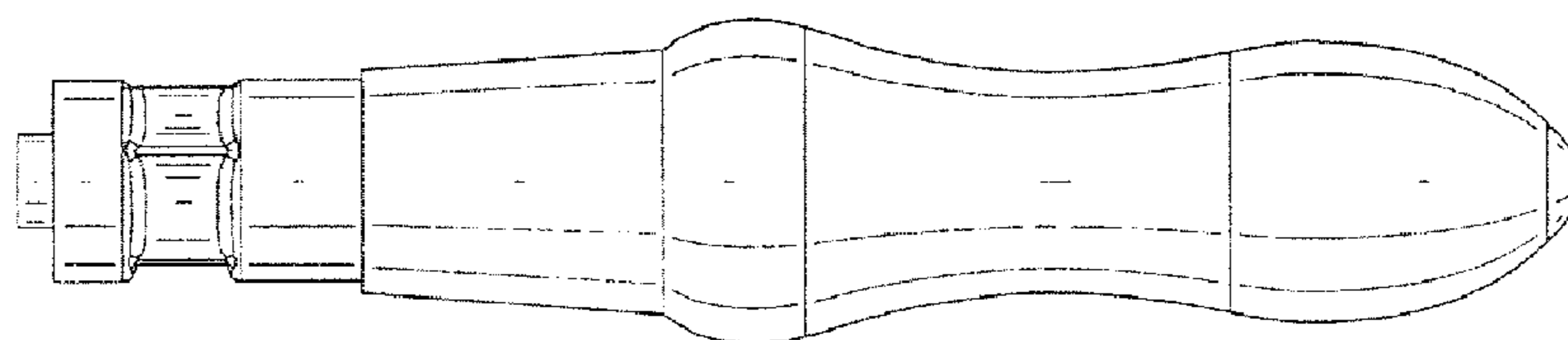


FIG. 5

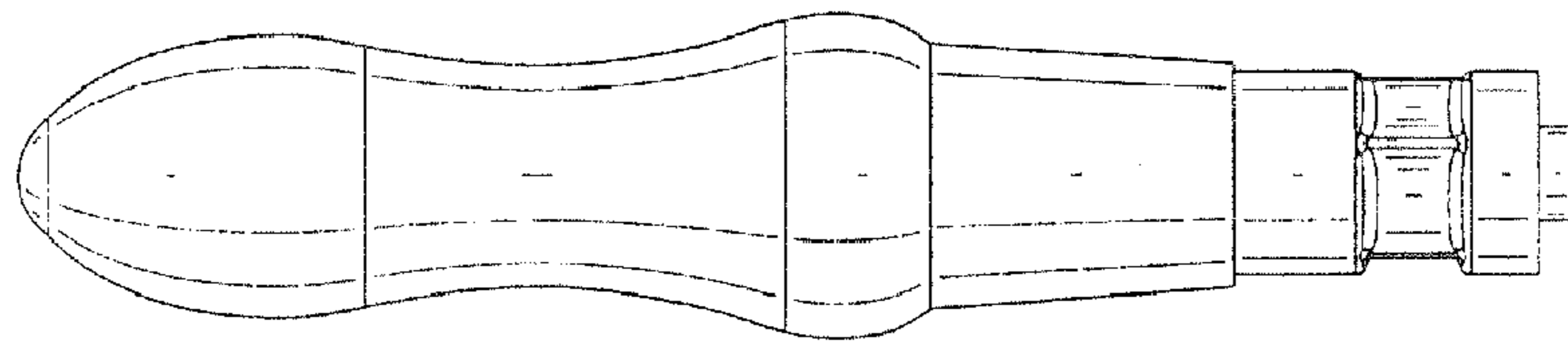


FIG. 6

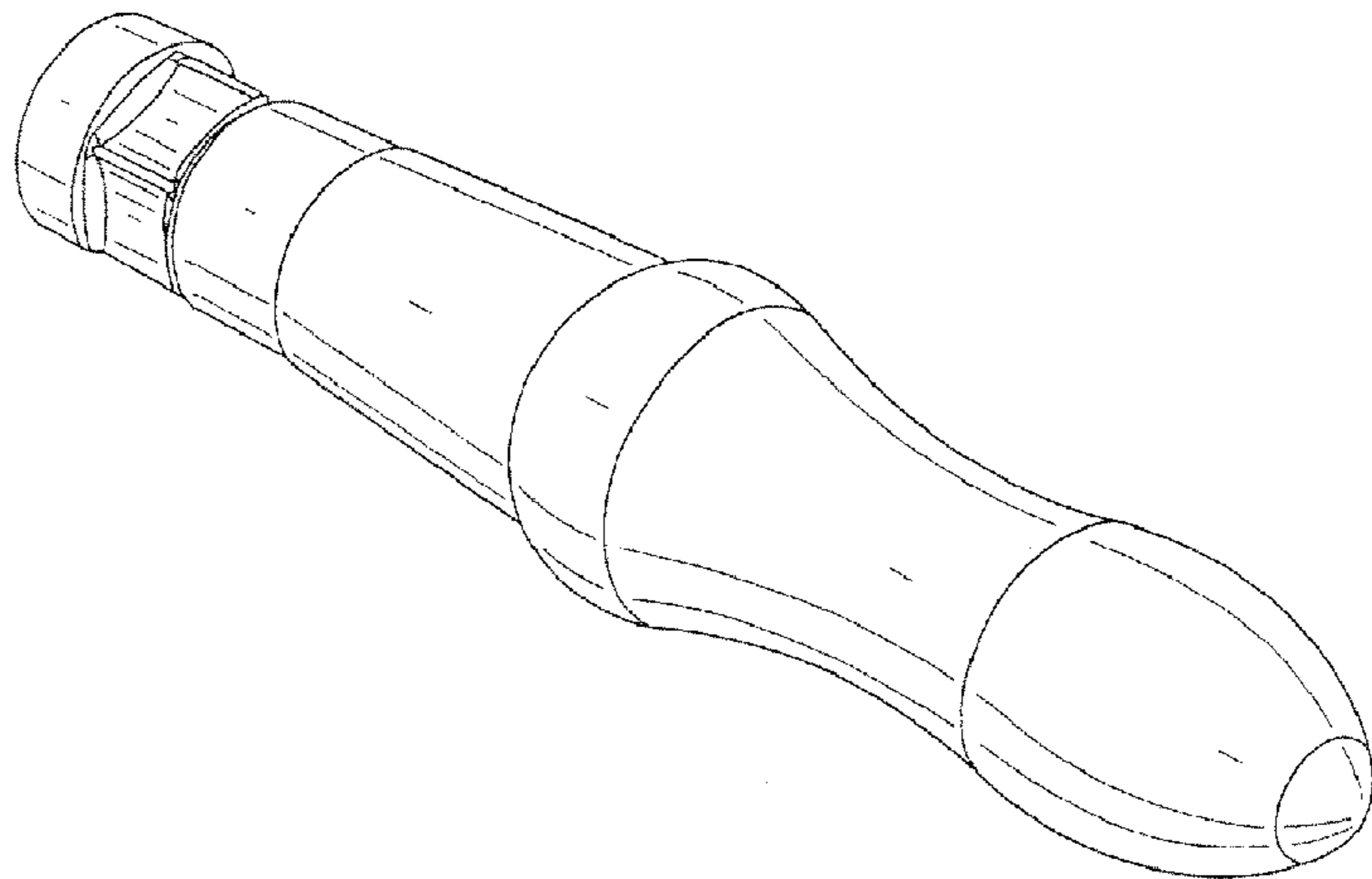


FIG. 7