



US00D586040S

(12) **United States Design Patent**
Kim

(10) **Patent No.:** **US D586,040 S**

(45) **Date of Patent:** **** Feb. 3, 2009**

(54) **HAIR IRON**

(76) **Inventor:** **Tae Cheul Kim**, 29 Kumho-dong 1Ga,
Seongdong-gu, Seoul (KR) 133-091

(**) **Term:** **14 Years**

(21) **Appl. No.:** **29/301,964**

(22) **Filed:** **Mar. 25, 2008**

(51) **LOC (9) Cl.** **28-03**

(52) **U.S. Cl.** **D28/35**

(58) **Field of Classification Search** D28/35;
132/222–225, 227–229, 236, 245; 219/222,
219/225–226

See application file for complete search history.

(56) **References Cited**

U.S. PATENT DOCUMENTS

D480,836 S	*	10/2003	Kaizuka	D28/35
D514,252 S	*	1/2006	Shin	D28/35
D535,437 S	*	1/2007	Ceva	D28/35
D538,977 S	*	3/2007	Shin	D28/35
D570,044 S	*	5/2008	Leung	D28/35

* cited by examiner

Primary Examiner—Jennifer Rivard
(74) *Attorney, Agent, or Firm*—Ezra Sutton

(57) **CLAIM**

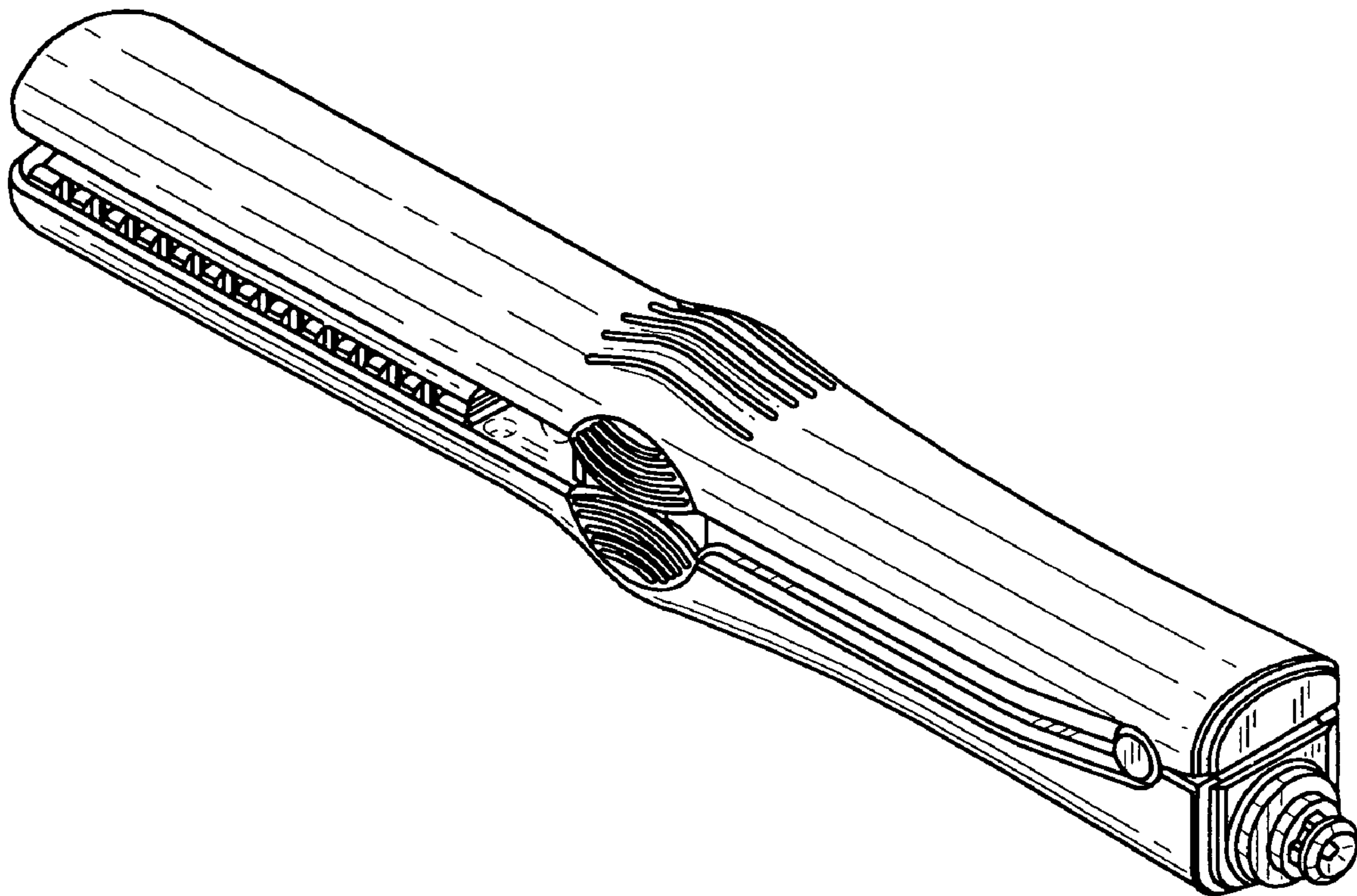
The ornamental design for a hair iron, as shown and described.

DESCRIPTION

FIG. 1 is a perspective view of a hair iron showing the design;
FIG. 2 is a front elevational view thereof;
FIG. 3 is a rear elevational view thereof;
FIG. 4 is a left side elevational view thereof;
FIG. 5 is a right side elevational view thereof;
FIG. 6 is a top plan view thereof; and,
FIG. 7 is a bottom plan view thereof.

The broken line showing of the interior of the hair iron and electrical connections are included for the purpose of illustrating portions of the article and form no part of the claimed design.

1 Claim, 5 Drawing Sheets



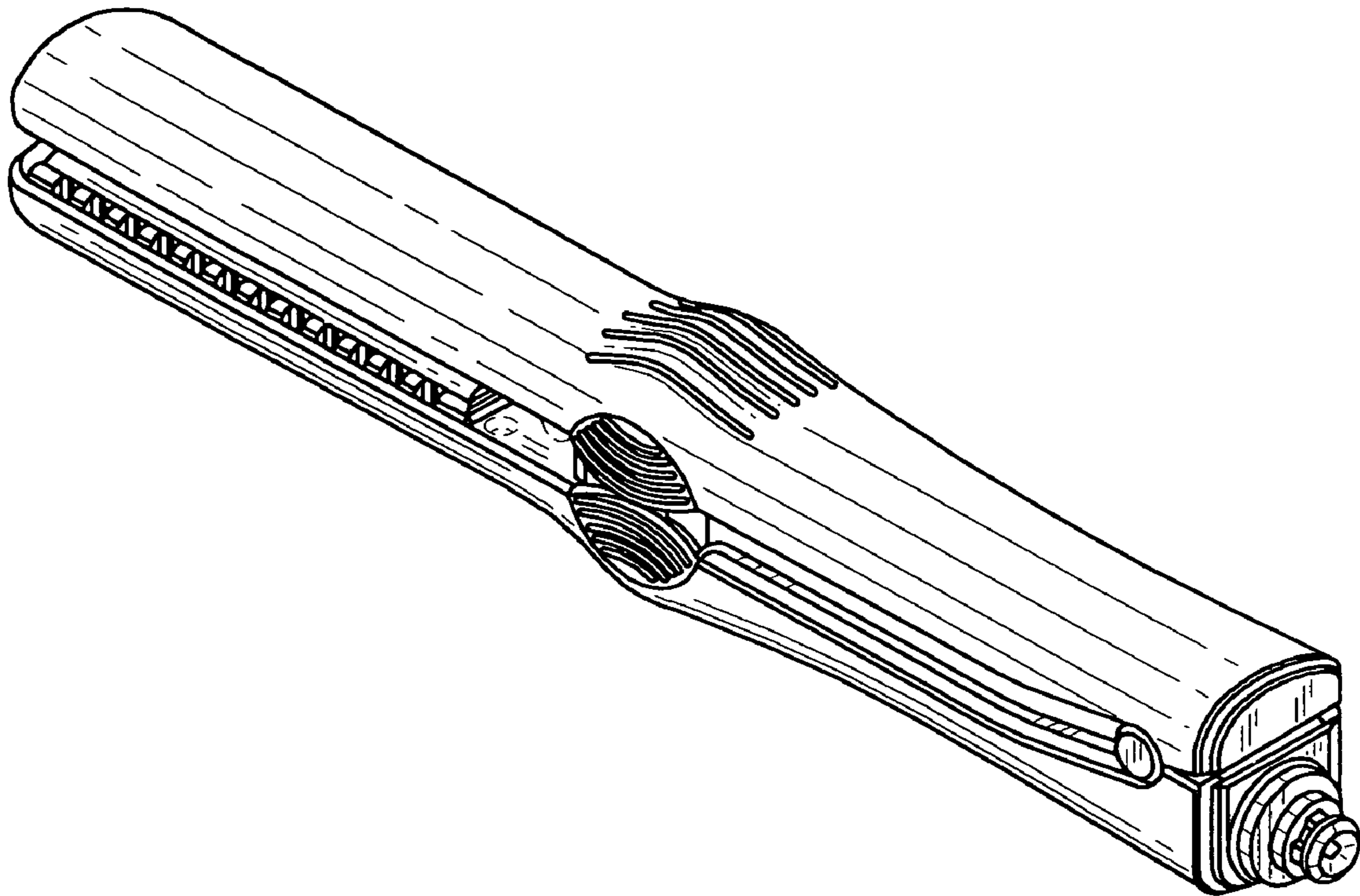


FIG. 1

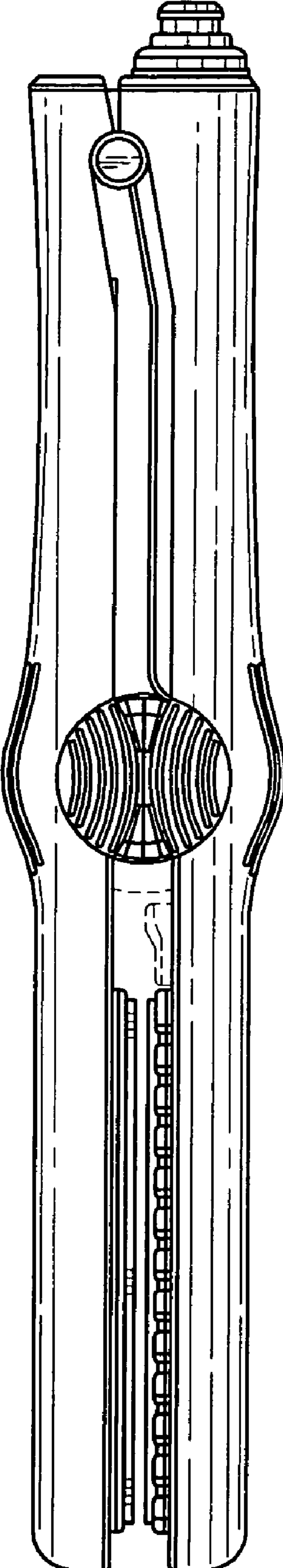


FIG. 2

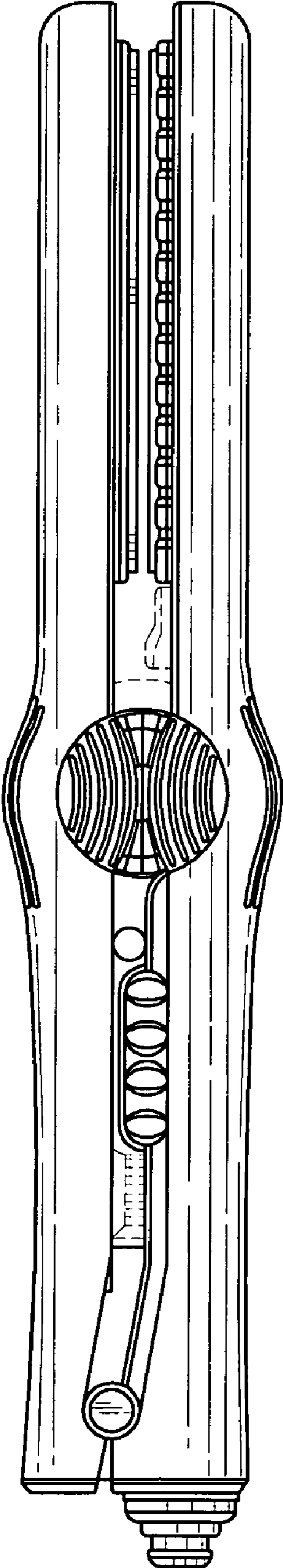


FIG. 3

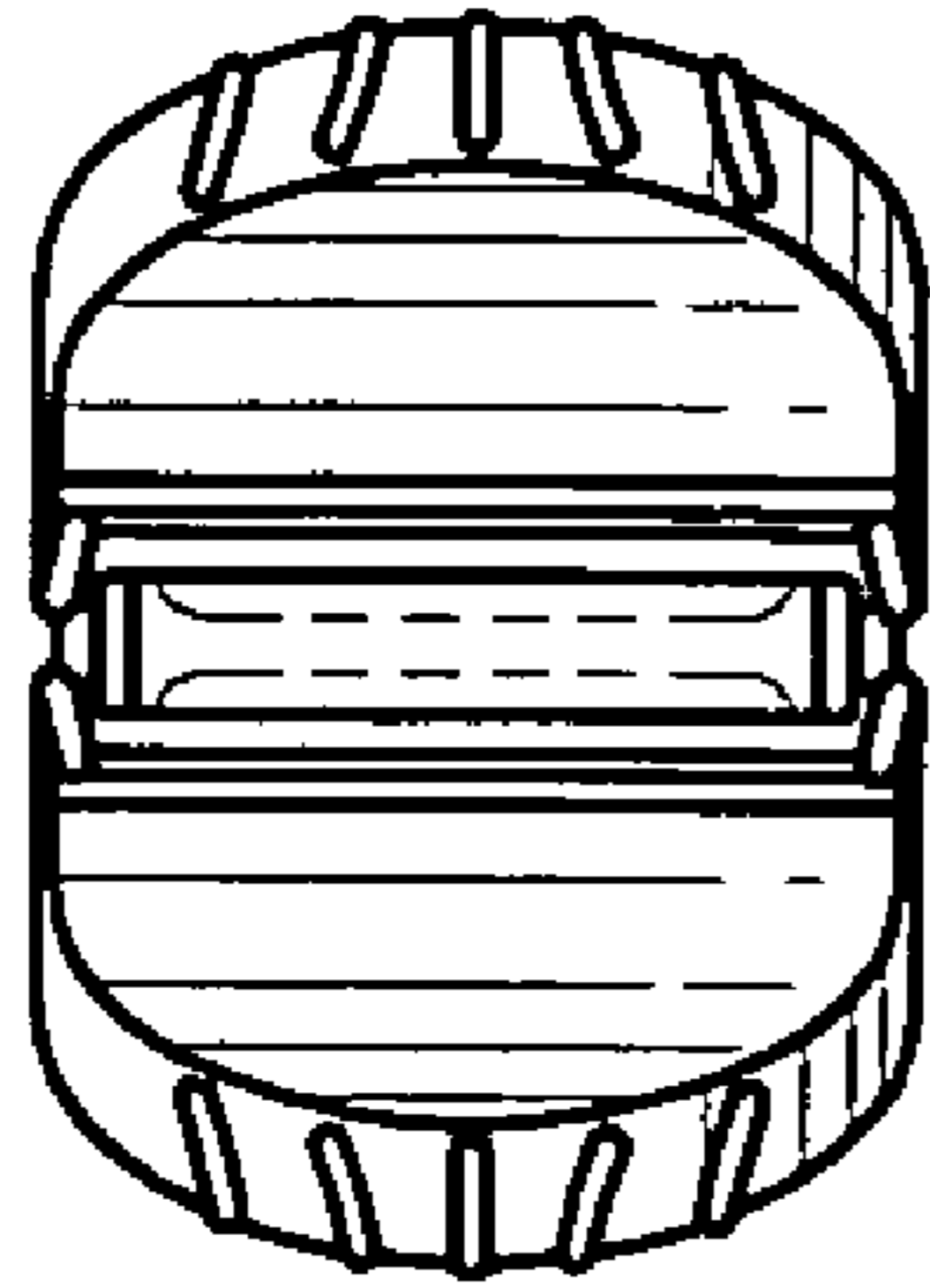


FIG. 4

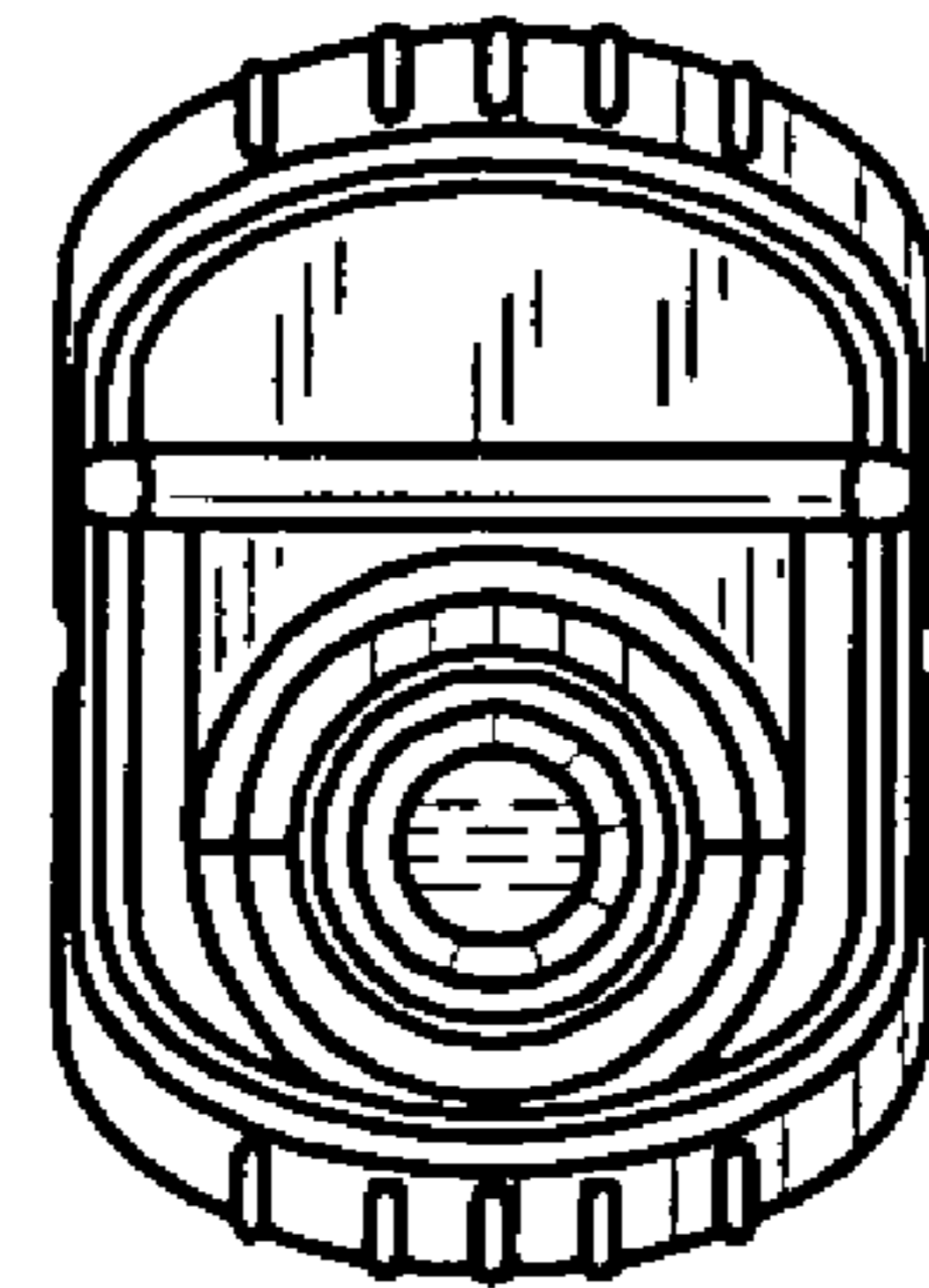


FIG. 5

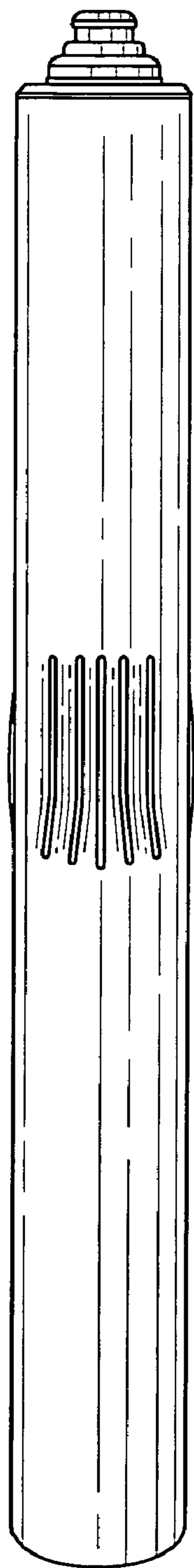


FIG. 6

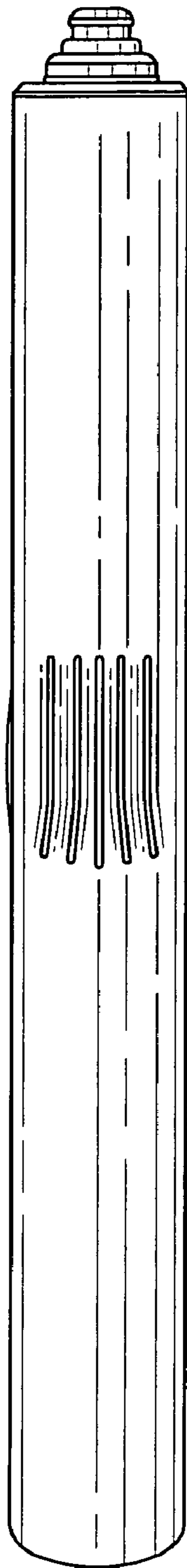


FIG. 7