



US00D586038S

(12) **United States Design Patent**  
**Kim**

(10) **Patent No.:** **US D586,038 S**

(45) **Date of Patent:** **\*\* Feb. 3, 2009**

(54) **HAIR IRON**

2007/0209673 A1\* 9/2007 Choi ..... 132/224

\* cited by examiner

(76) Inventor: **Tae Cheul Kim**, 29 Kumho-dong 1Ga,  
Seongdong-gu, Seoul (KR) 133-091

*Primary Examiner*—Jennifer Rivard

(74) *Attorney, Agent, or Firm*—Ezra Sutton

(\*\*) Term: **14 Years**

(57) **CLAIM**

(21) Appl. No.: **29/301,958**

The ornamental design for a hair iron, as shown and described.

(22) Filed: **Mar. 25, 2008**

(51) **LOC (9) Cl.** ..... **28-03**

(52) **U.S. Cl.** ..... **D28/35**

(58) **Field of Classification Search** ..... D28/35;  
132/222–225, 227–229, 236, 245; 219/222,  
219/225–226

See application file for complete search history.

**DESCRIPTION**

FIG. 1 is a perspective view of a hair iron showing the design;

FIG. 2 is a front elevational view thereof;

FIG. 3 is a rear elevational view thereof;

FIG. 4 is a left side elevational view thereof;

FIG. 5 is a right side elevational view thereof;

FIG. 6 is a top plan view thereof; and,

FIG. 7 is a bottom plan view thereof.

The broken line showing of the interior of the hair iron is included for the purpose of illustrating portions of the article and forms no part of the claimed design. -

(56) **References Cited**

U.S. PATENT DOCUMENTS

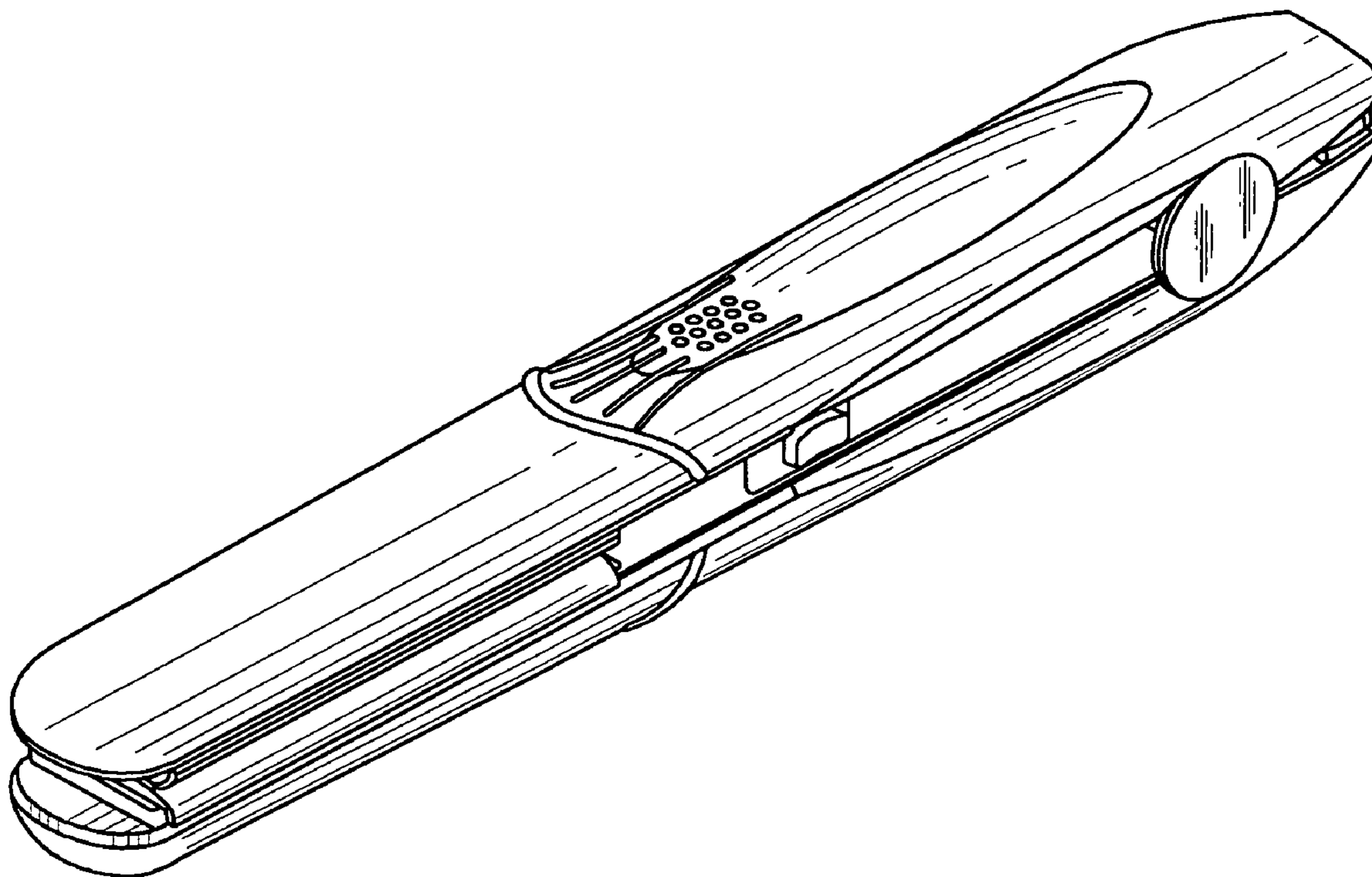
D514,252 S \* 1/2006 Shin ..... D28/35

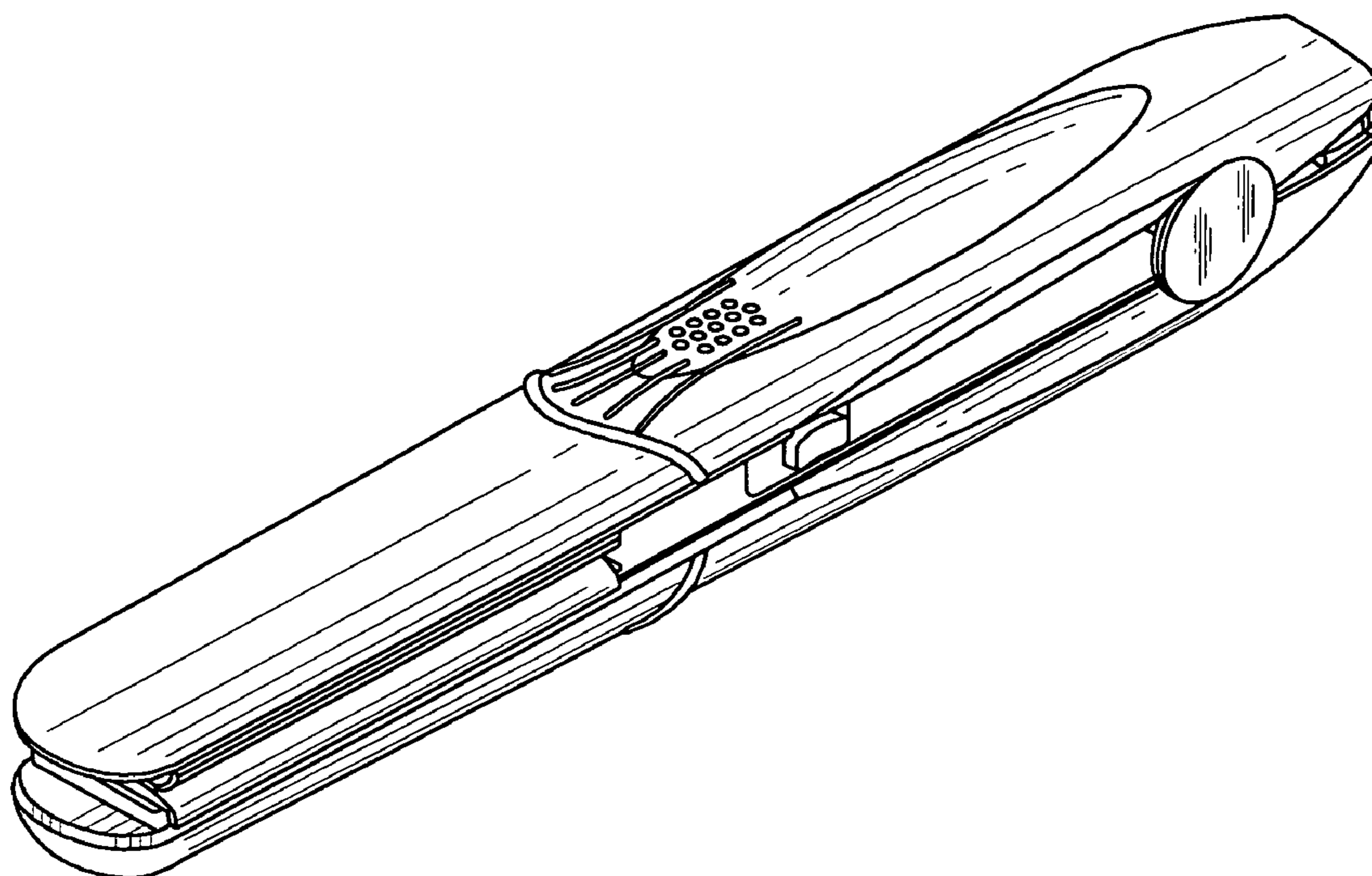
D535,437 S \* 1/2007 Ceva ..... D28/35

D537,983 S \* 3/2007 Shin ..... D28/35

D559,447 S \* 1/2008 Leung ..... D28/35

**1 Claim, 5 Drawing Sheets**





*FIG. 1*

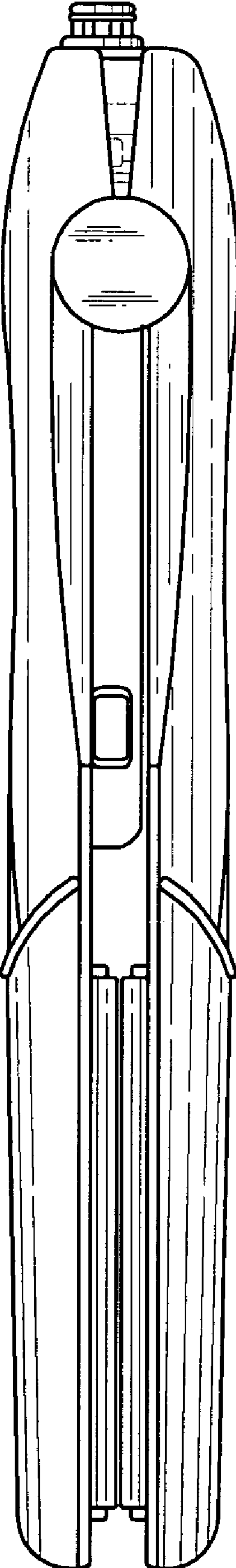


FIG. 2

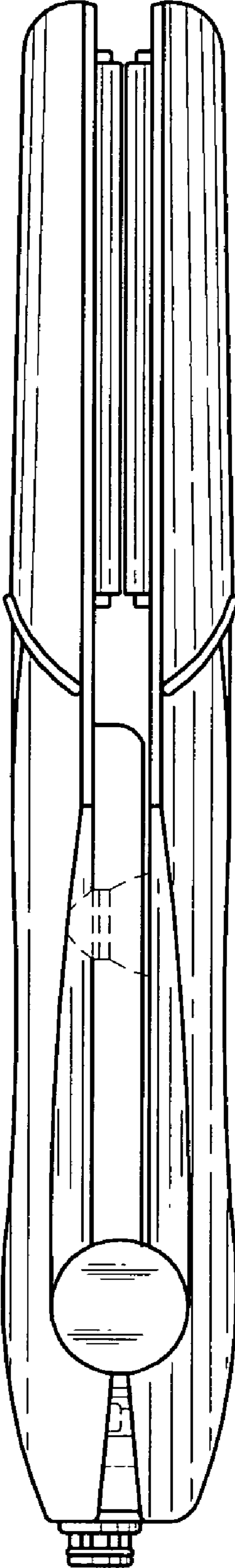
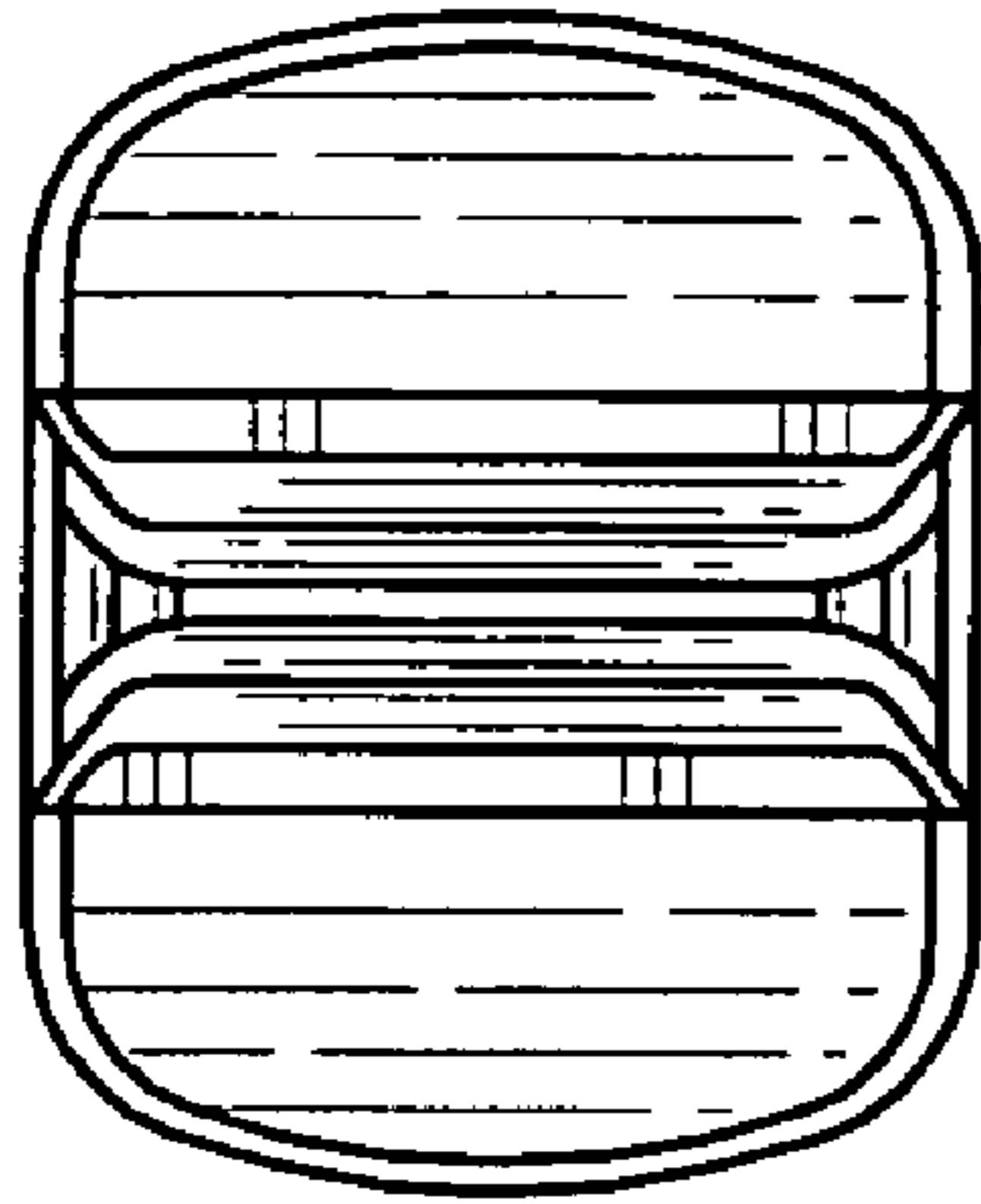
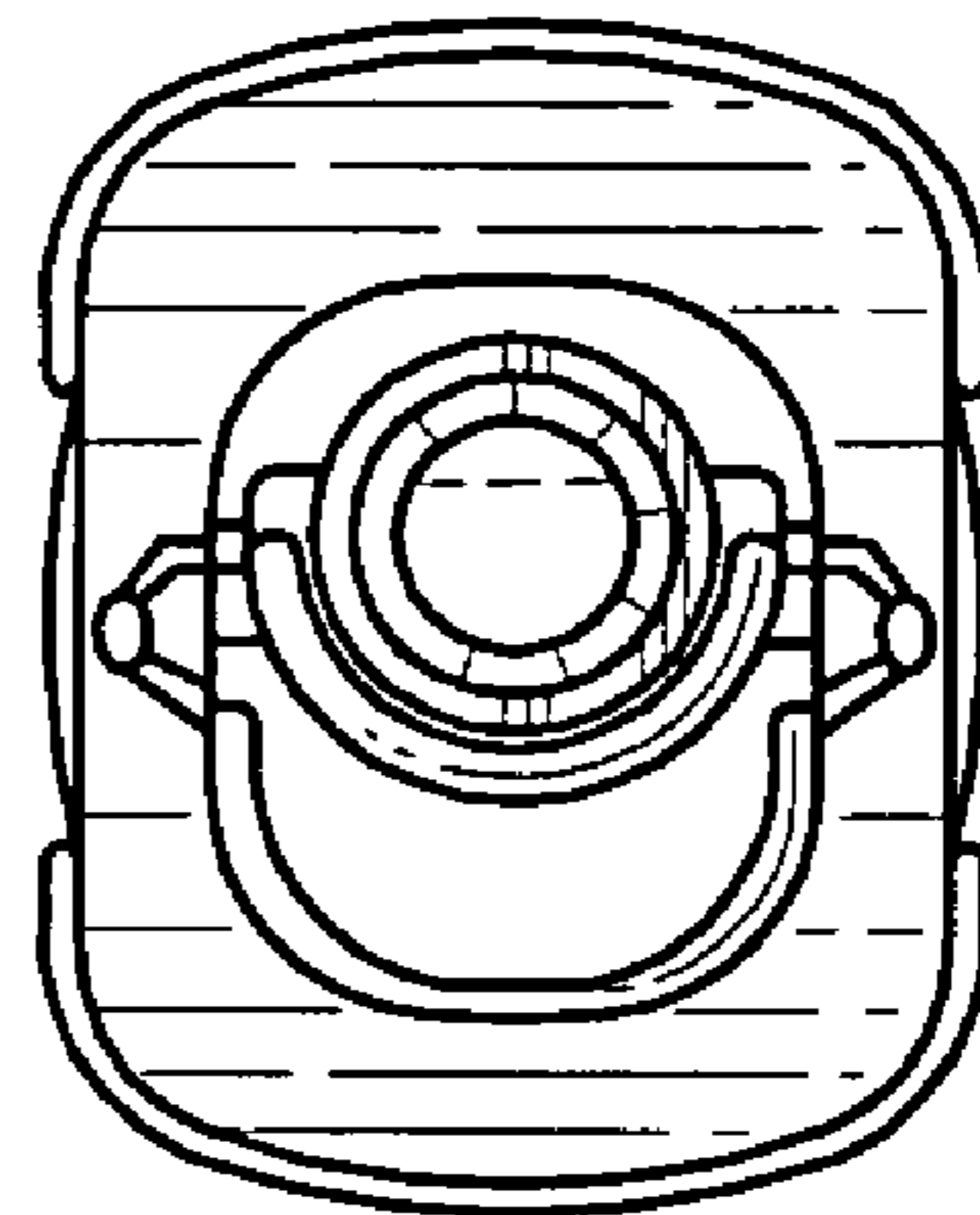


FIG. 3



*FIG. 4*



*FIG. 5*

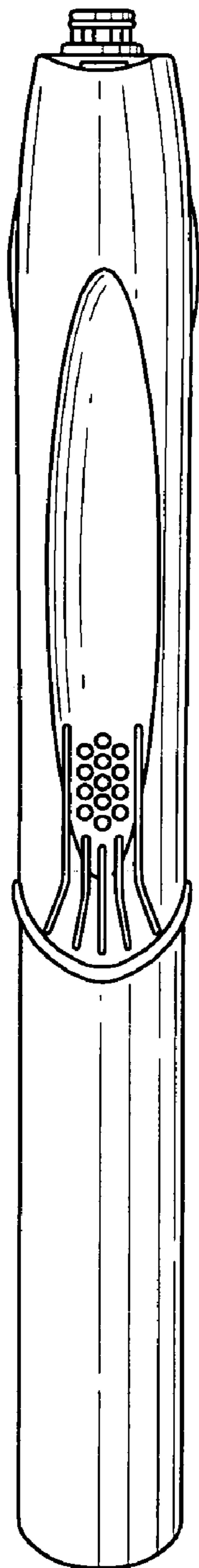


FIG. 6

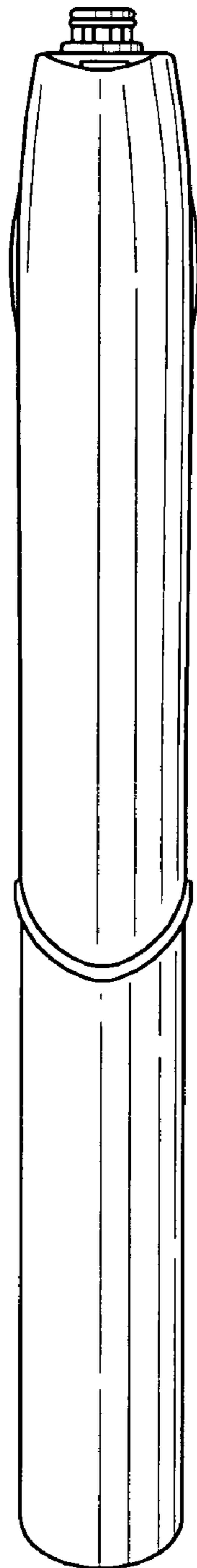


FIG. 7