



US00D586034S

(12) **United States Design Patent**  
**Curtin**

(10) **Patent No.:** **US D586,034 S**

(45) **Date of Patent:** **\*\* Feb. 3, 2009**

(54) **LIGHT FIXTURE SUPPORT**

(75) Inventor: **Brett Curtin**, Scottsdale, AZ (US)

(73) Assignee: **Craftmade International, Inc.**, Coppell, TX (US)

(\*\*) Term: **14 Years**

(21) Appl. No.: **29/292,365**

(22) Filed: **Oct. 10, 2007**

(51) **LOC (9) Cl.** ..... **26-99**

(52) **U.S. Cl.** ..... **D26/145**

(58) **Field of Classification Search** ..... D26/145,  
D26/155, 141, 144, 152, 118, 142, 128, 138,  
D26/113, 120, 122, 140, 143, 147, 154, 63,  
D26/65, 61; 362/147, 151, 241, 291, 296,  
362/319, 341, 146, 370, 371, 395, 405, 410,  
362/432, 441

See application file for complete search history.

(56) **References Cited**

**U.S. PATENT DOCUMENTS**

D58,074 S *	6/1921	Crowell	.....	D26/145
3,831,022 A *	8/1974	Porter et al.	.....	362/406
D410,762 S *	6/1999	Miranda	.....	D26/145
D419,717 S *	1/2000	Dolan	.....	D26/155
D426,672 S *	6/2000	De'Armond	.....	D26/155
D426,912 S *	6/2000	De'Armond	.....	D26/142
D427,721 S *	7/2000	De'Armond	.....	D26/155
D435,687 S *	12/2000	Miranda	.....	D26/145
D442,318 S *	5/2001	Hsieh	.....	D26/87
D447,595 S *	9/2001	Bandini	.....	D26/155
D454,655 S *	3/2002	De'Armond	.....	D26/155

D455,856 S *	4/2002	De'Armond	.....	D26/92
D461,590 S *	8/2002	De'Armond	.....	D26/155
D461,591 S *	8/2002	De'Armond	.....	D26/155
D532,151 S *	11/2006	Flores	.....	D26/142

\* cited by examiner

*Primary Examiner*—Freda S. Nunn

*Assistant Examiner*—Kevin K Rudzinski

(74) *Attorney, Agent, or Firm*—Bracewell & Giuliani LLP

(57) **CLAIM**

The ornamental design for light fixture support, as shown and described.

**DESCRIPTION**

FIG. 1 is a perspective view of the light fixture support showing my new design;

FIG. 2 is an enlarged view of the light fixture support of FIG. 1;

FIG. 3 front elevational view thereof;

FIG. 4 is a right side elevational view, the left side elevational view being a mirror image;

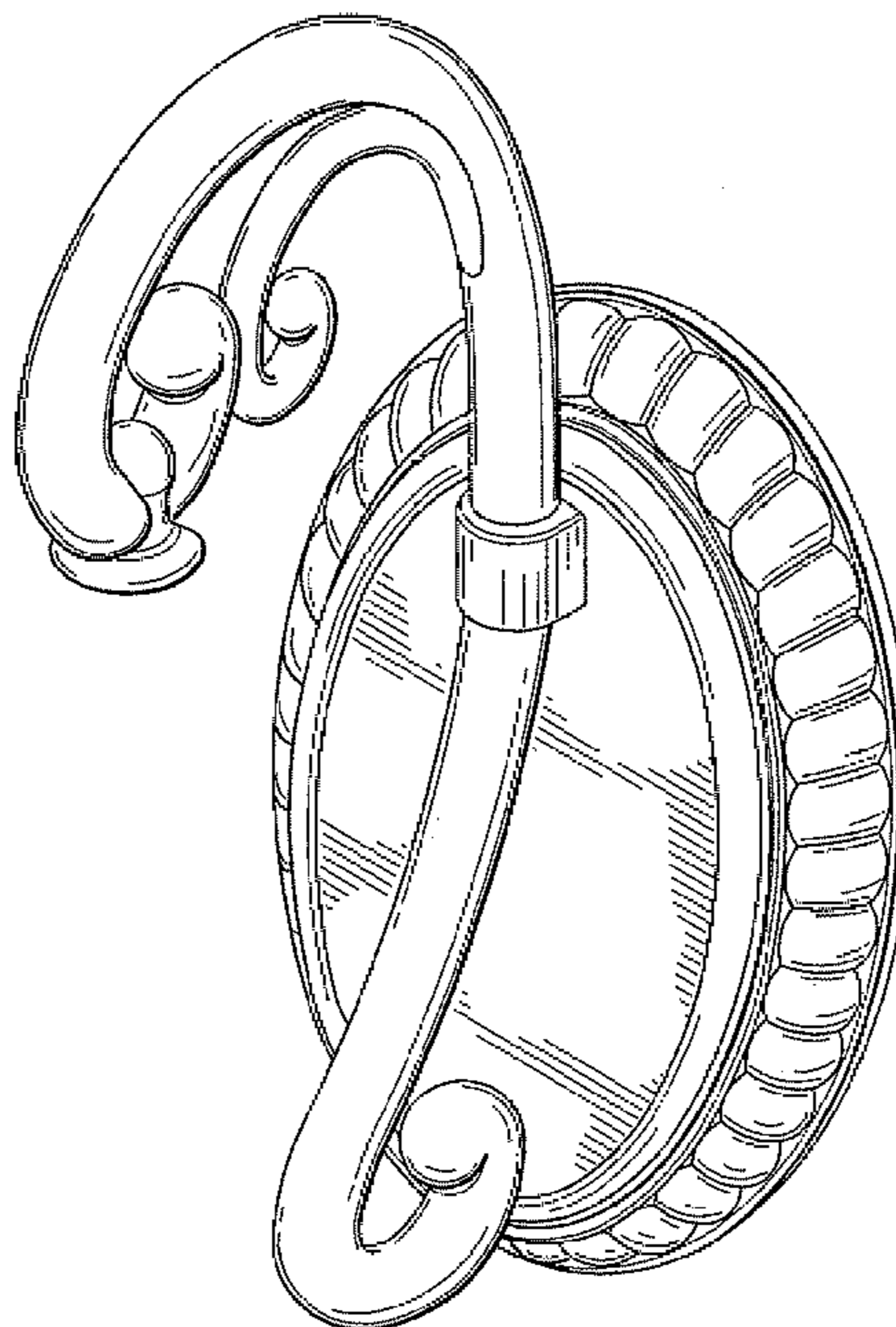
FIG. 5 is a rear elevational view thereof;

FIG. 6 is a top plan view thereof; and,

FIG. 7 is a bottom plan view thereof.

The broken line showing of a light fixture in FIG. 1 is included for the purpose of illustrating environmental structures and forms no part of the claimed design. The broken lines in FIG. 5, which define the bounds of the claimed design, form no part thereof.

**1 Claim, 5 Drawing Sheets**



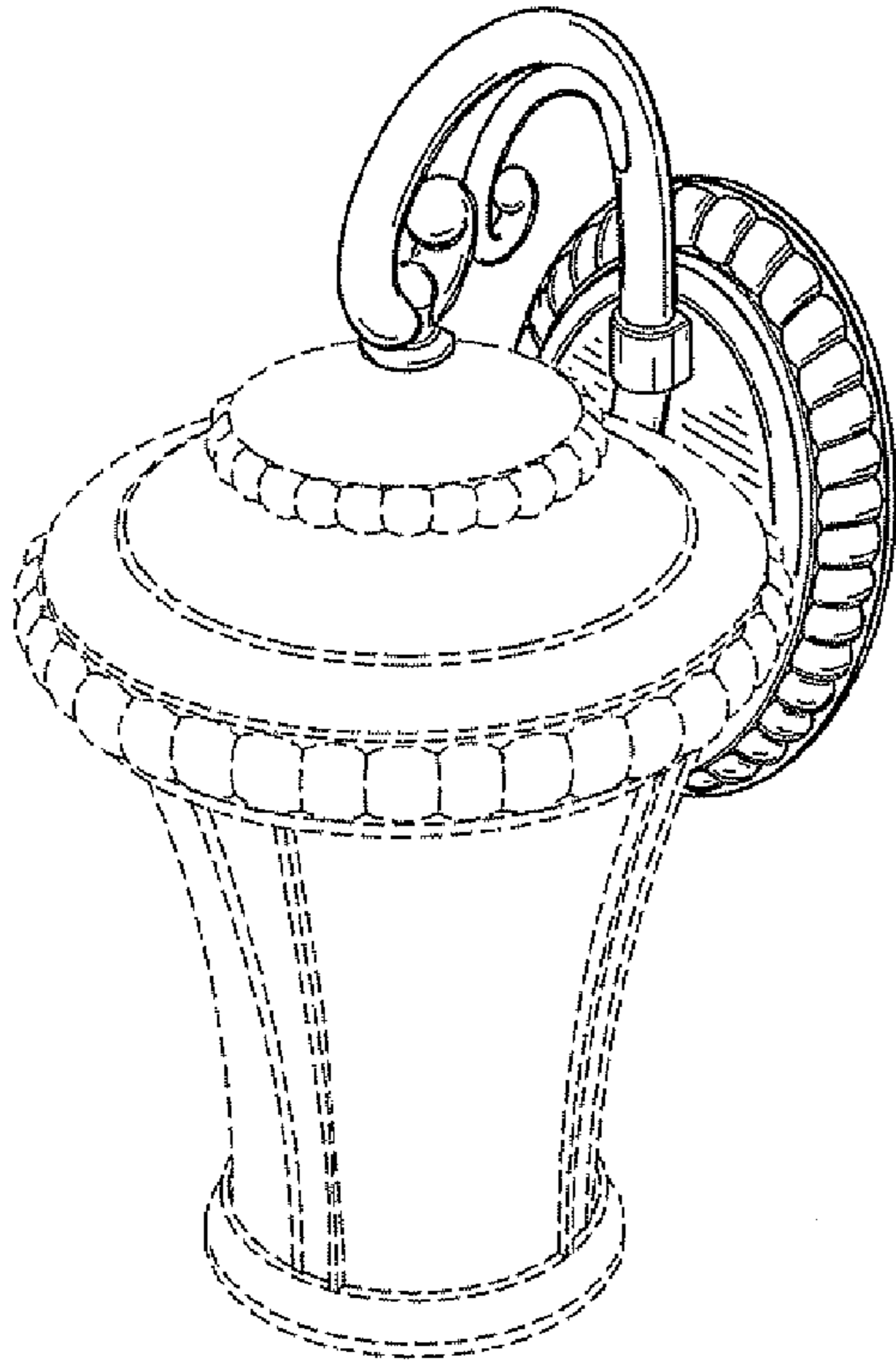


FIG. 1

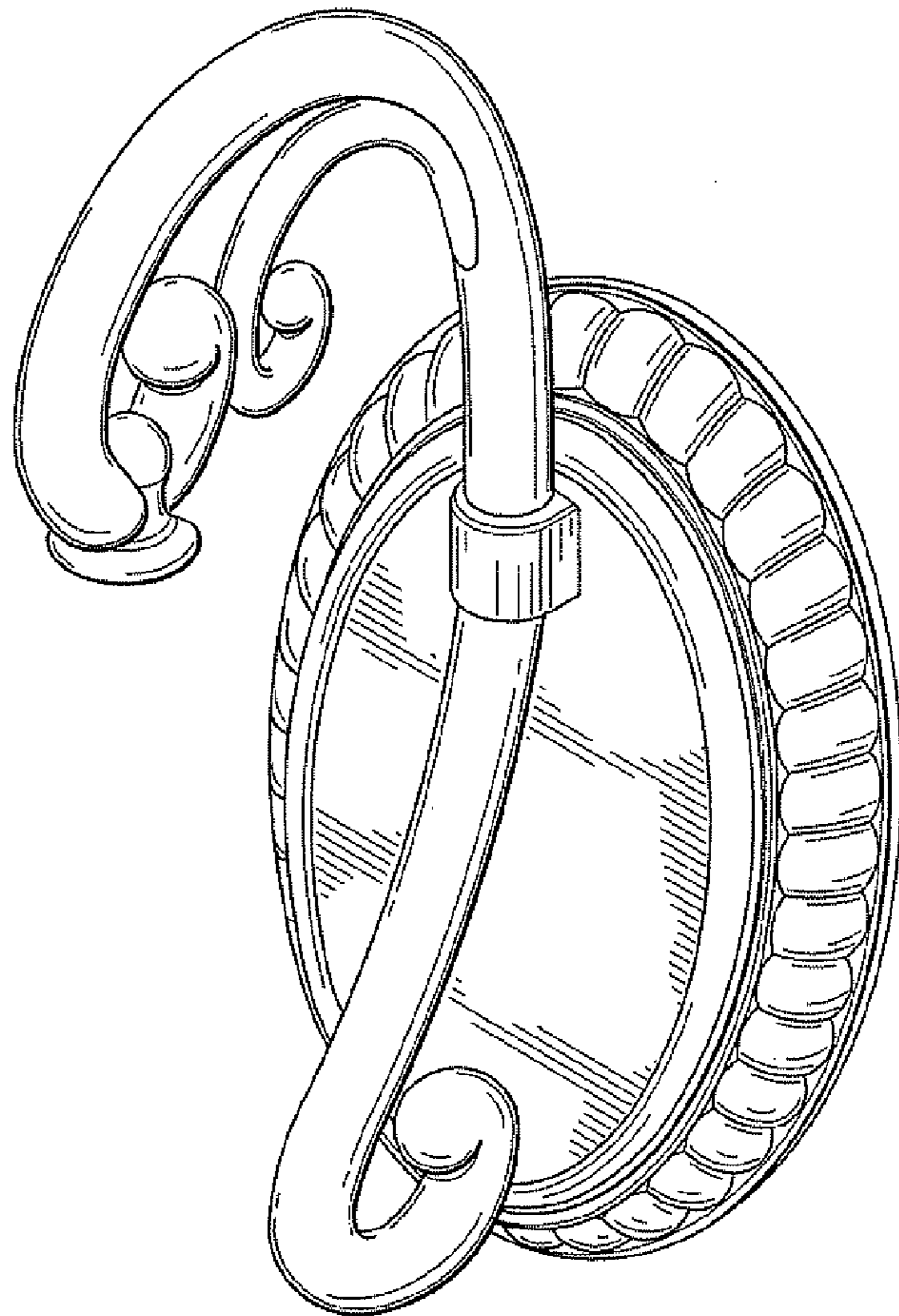
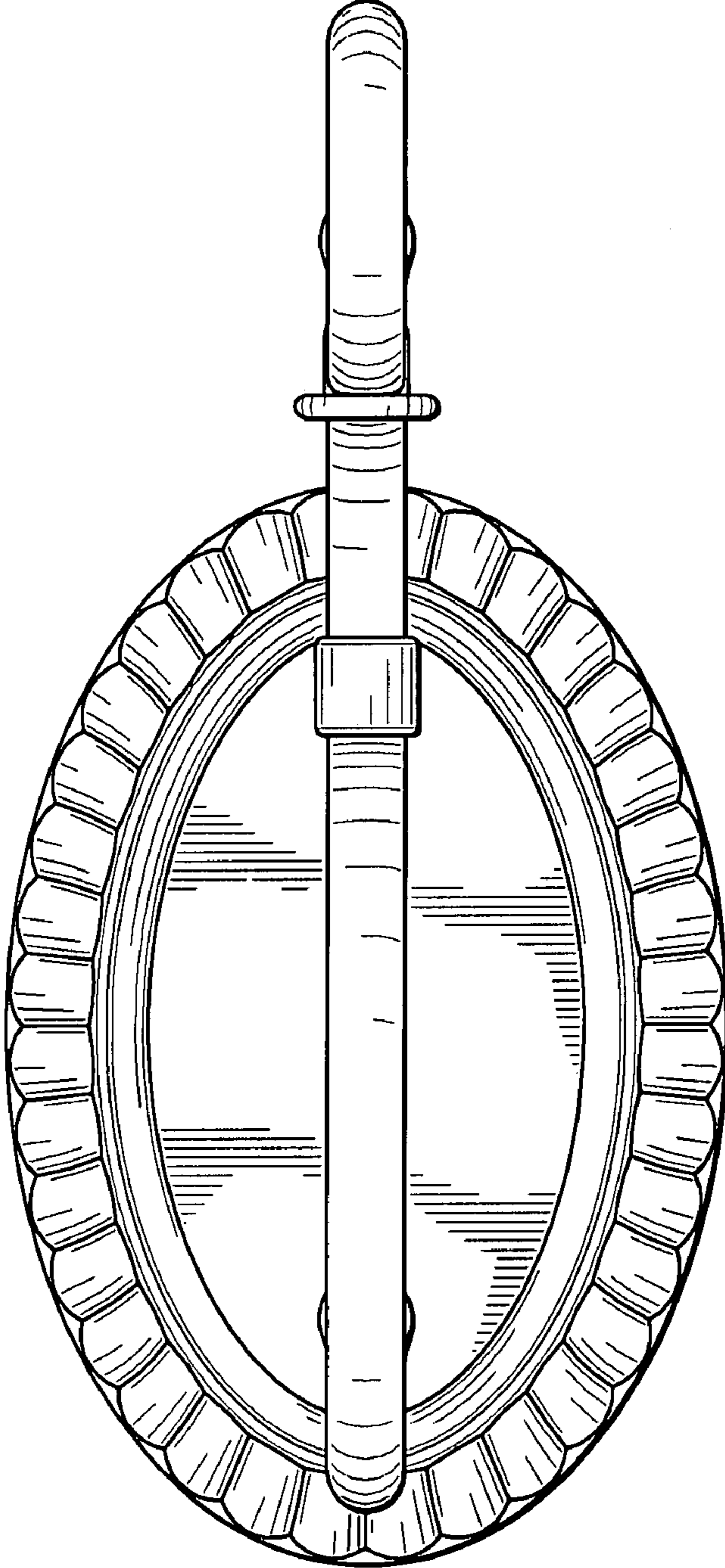


FIG. 2



*FIG. 3*

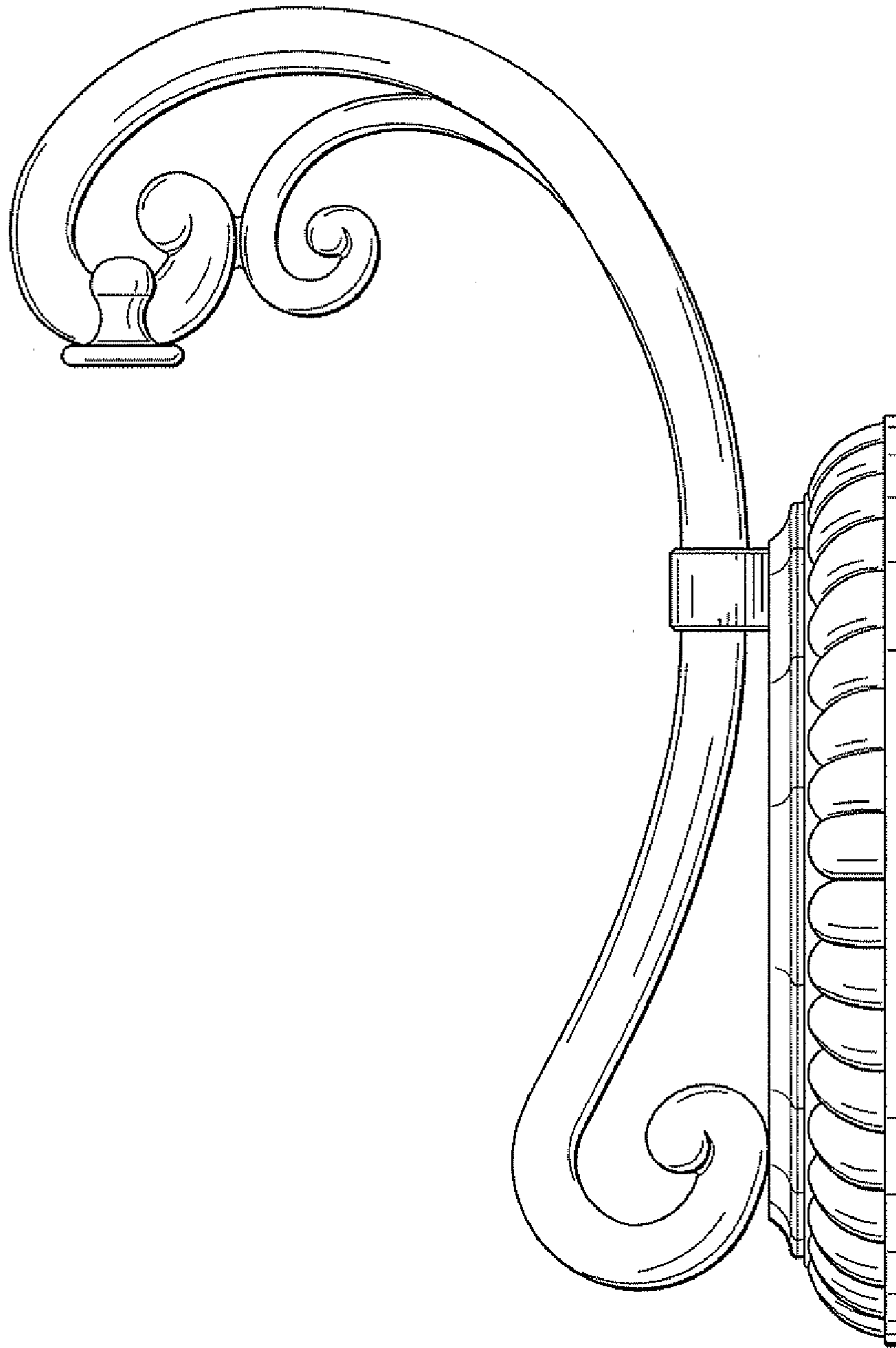


FIG. 4



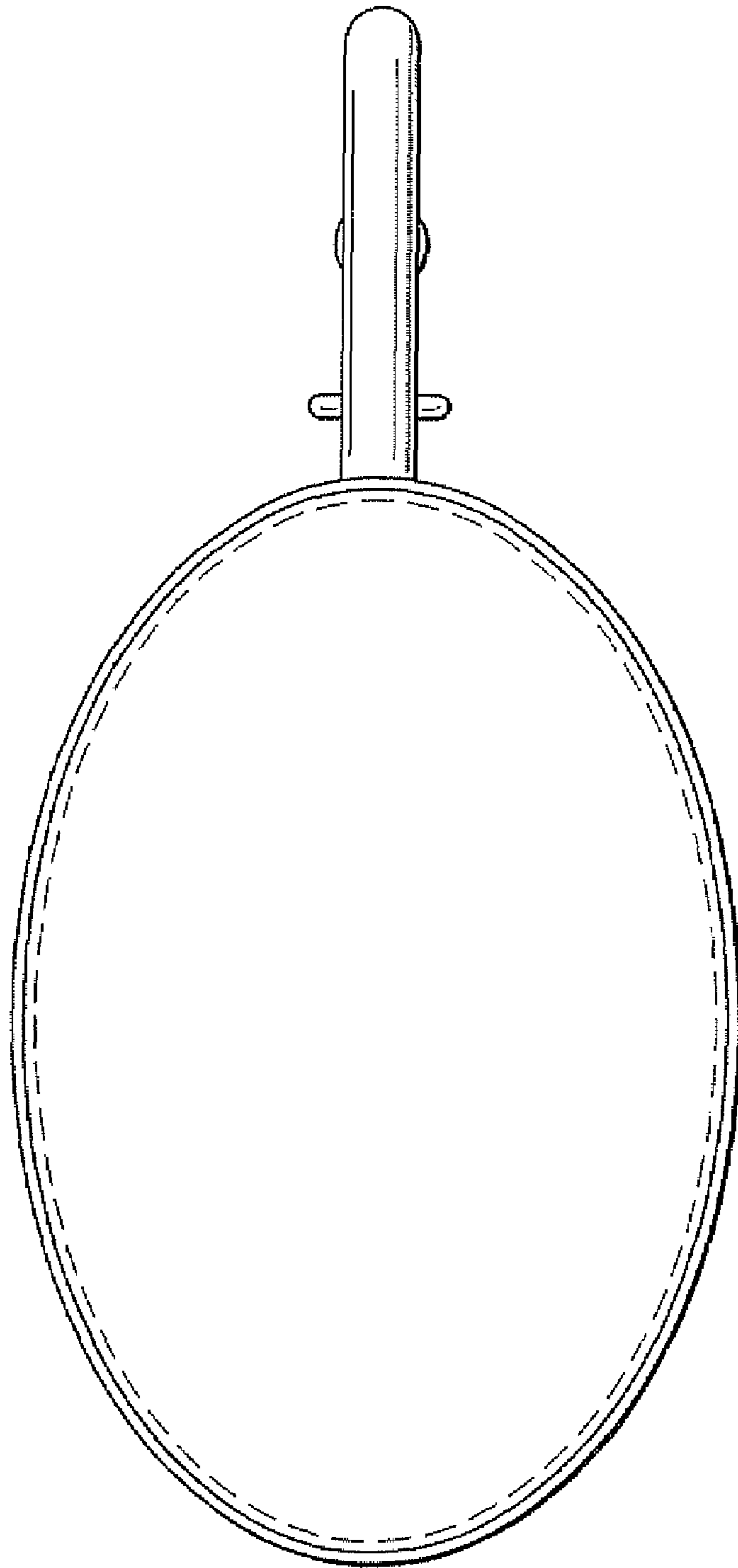


FIG. 5

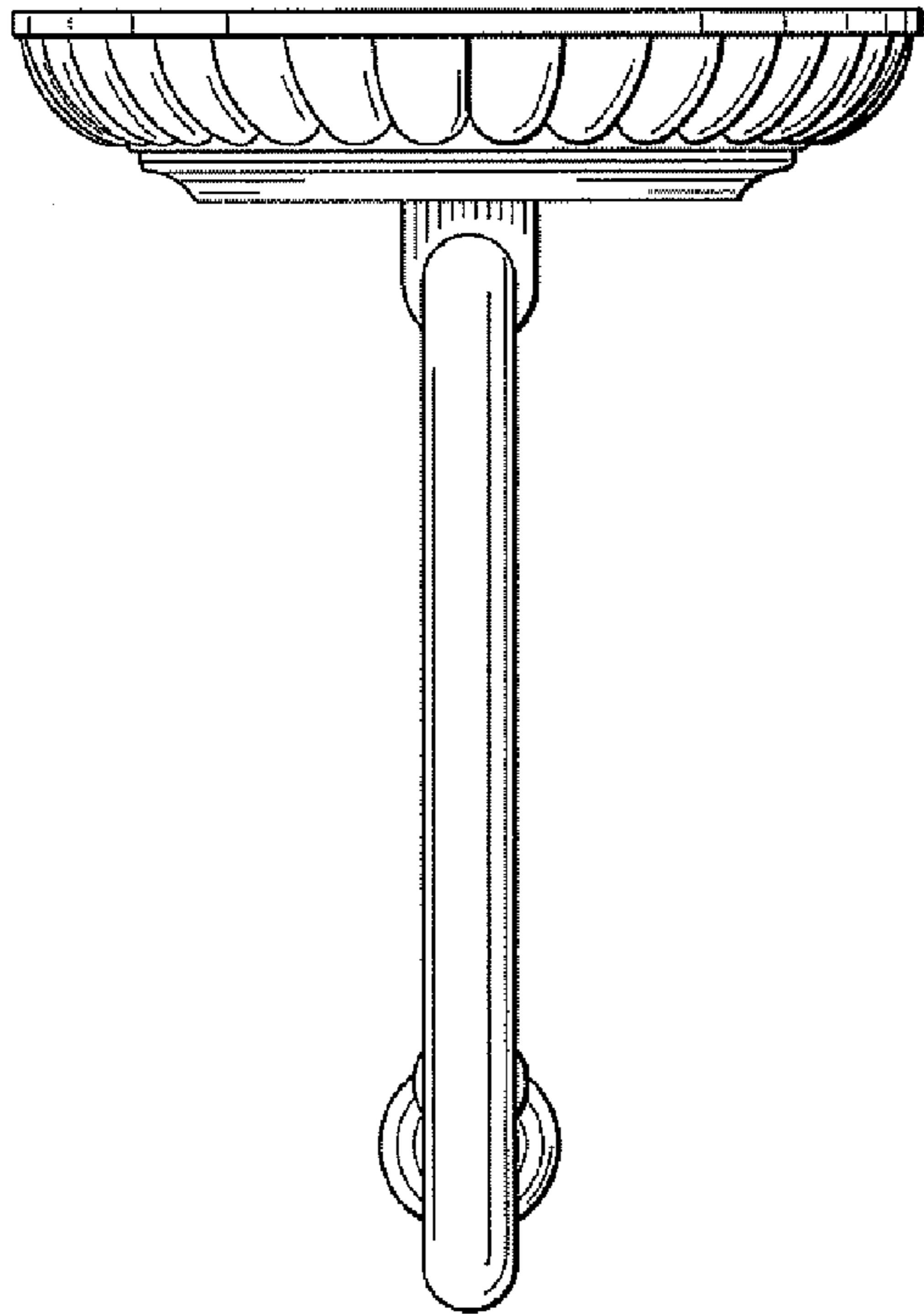


FIG. 6

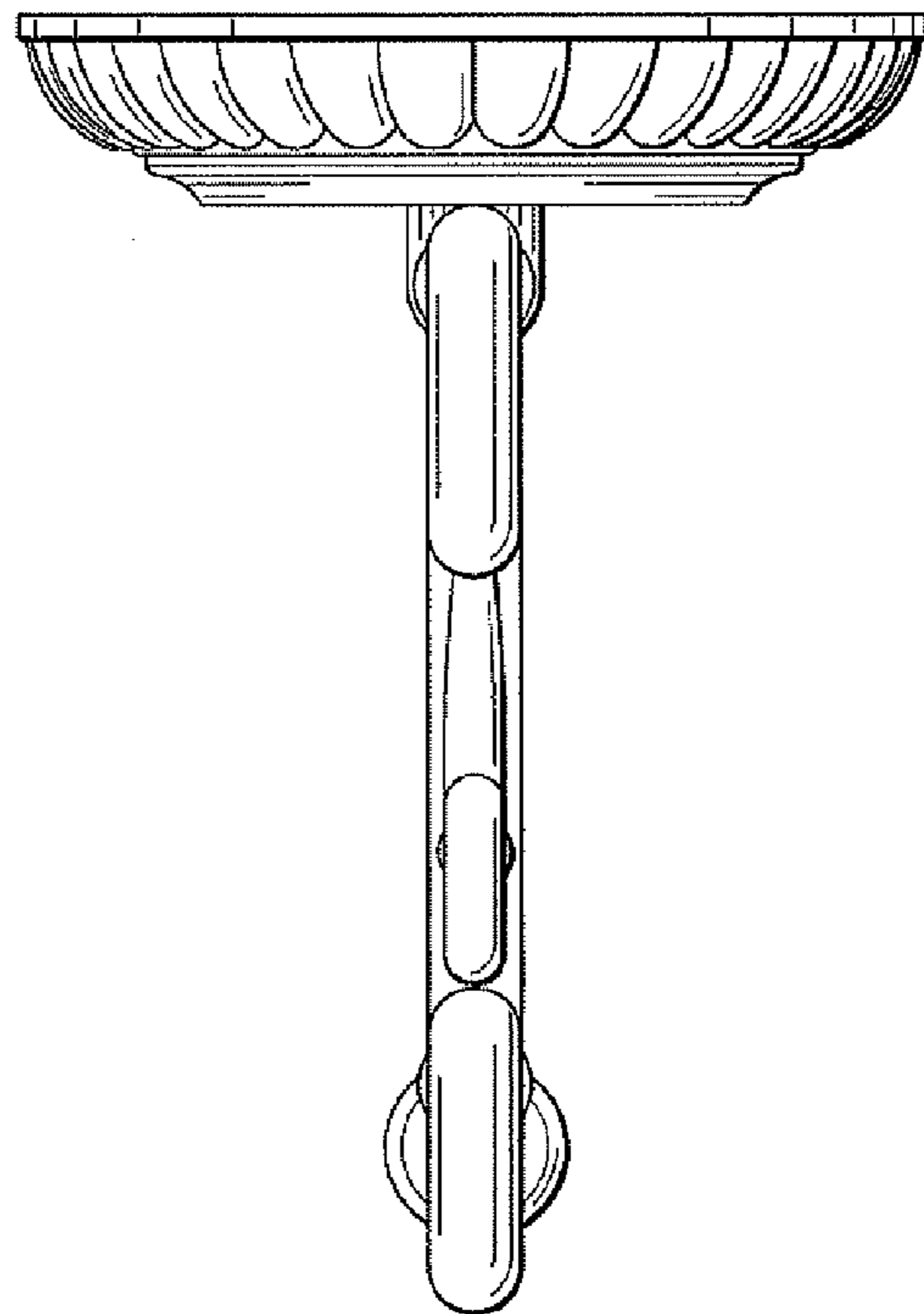


FIG. 7