



US00D586033S

(12) **United States Design Patent**
Tomimoto

(10) **Patent No.:** **US D586,033 S**
(45) **Date of Patent:** **** Feb. 3, 2009**

(54) **REFLECTOR FOR ROTARY WARNING LAMP**

(75) Inventor: **Masao Tomimoto**, Osaka (JP)

(73) Assignee: **Patlite Corporation**, Osaka (JP)

(**) Term: **14 Years**

(21) Appl. No.: **29/294,757**

(22) Filed: **Jan. 25, 2008**

(30) **Foreign Application Priority Data**

Aug. 3, 2007 (JP) 2007-021245

(51) **LOC (9) Cl.** **26-99**

(52) **U.S. Cl.** **D26/118**

(58) **Field of Classification Search** D26/145,
D26/155, 141, 144, 152, 118, 142, 128, 138,
D26/113, 120, 122, 140, 143, 147, 154, 63,
D26/65, 61; 362/147, 151, 241, 291, 296,
362/319, 341, 146, 370, 371, 395, 405, 410,
362/432, 441

See application file for complete search history.

(56) **References Cited**

U.S. PATENT DOCUMENTS

D40,644 S * 4/1910 Sharp D26/128
D115,097 S * 6/1939 Arras D26/128
D174,221 S * 3/1955 Hatch et al. D26/128
D309,795 S * 8/1990 Sahlen D26/87
D322,686 S * 12/1991 Huen D26/85
D323,906 S * 2/1992 Miranda et al. D26/85

5,390,095 A * 2/1995 Lemons et al. 362/301
D399,862 S * 10/1998 Baliozian D16/219
D405,209 S * 2/1999 Walz D26/86
6,102,547 A * 8/2000 Matsuoto et al. 362/16
D475,154 S * 5/2003 Binsukor D26/72
D492,438 S * 6/2004 O'Tierney D26/80
2005/0201104 A1 * 9/2005 Biber et al. 362/341

* cited by examiner

Primary Examiner—Freda S. Nunn

Assistant Examiner—Kevin K Rudzinski

(74) *Attorney, Agent, or Firm*—William L. Androlia; H. Henry Koda

(57) **CLAIM**

The ornamental design for a reflector for rotary warning lamp, as shown and described.

DESCRIPTION

FIG. 1 is a front elevational view of a reflector for rotary warning lamp showing my new design;

FIG. 2 is a rear elevational view thereof;

FIG. 3 is a top plan view thereof;

FIG. 4 is a bottom plan view thereof;

FIG. 5 is a right side elevational view thereof;

FIG. 6 is a left side elevational view thereof; and,

FIG. 7 is a perspective view taken from the front, top and right side of the reflector for rotary warning lamp.

1 Claim, 4 Drawing Sheets

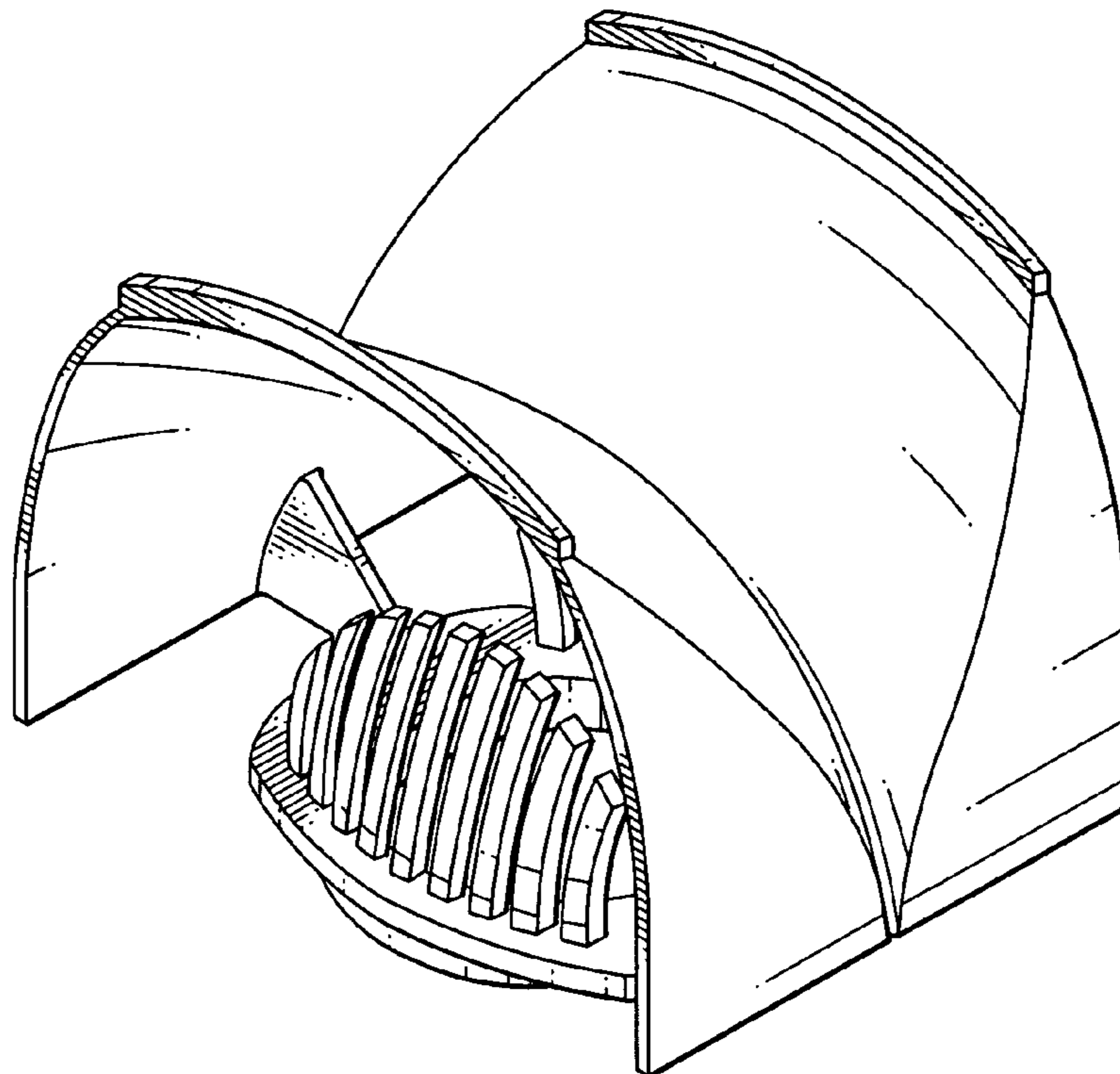


FIG. 1

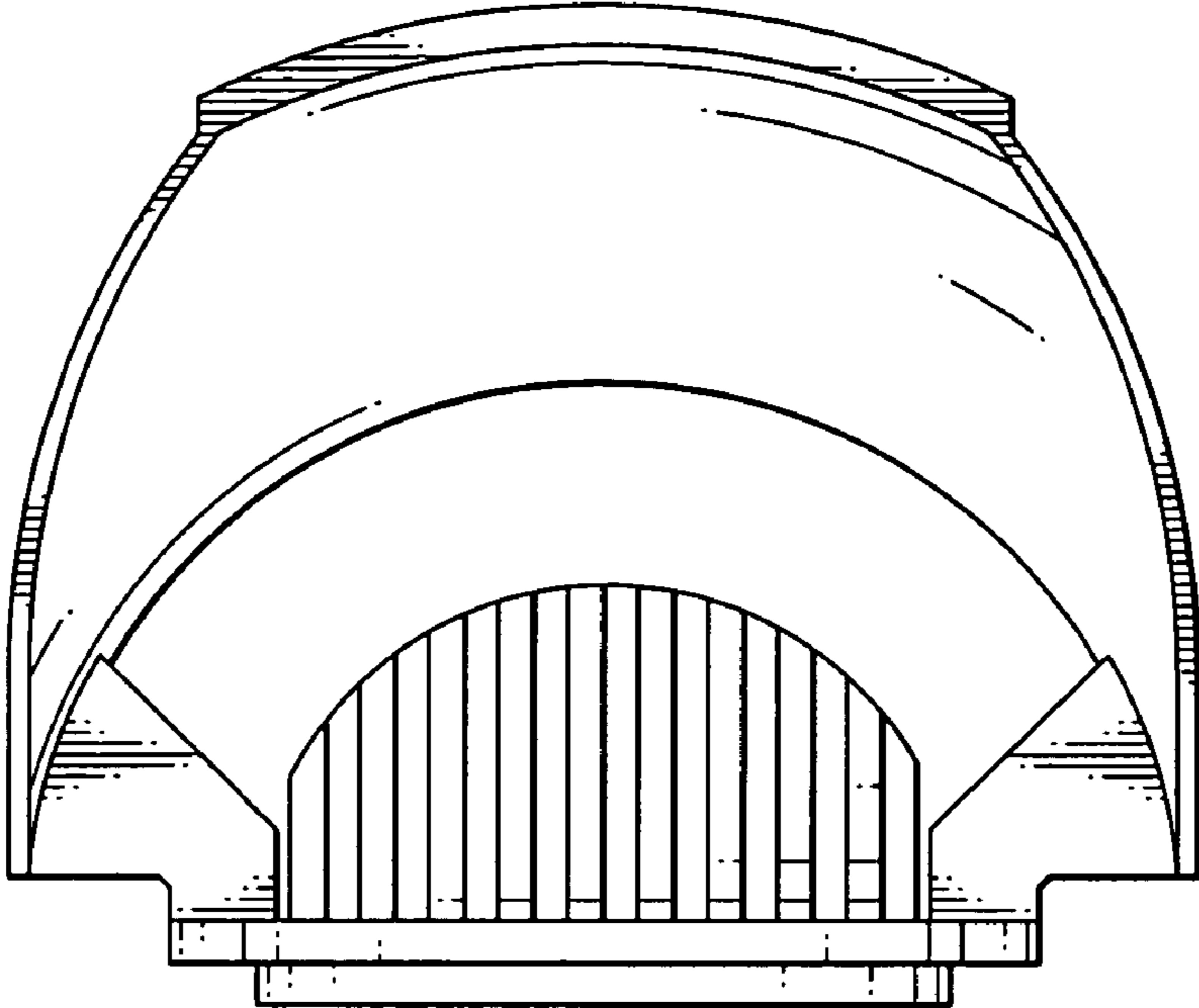


FIG. 2

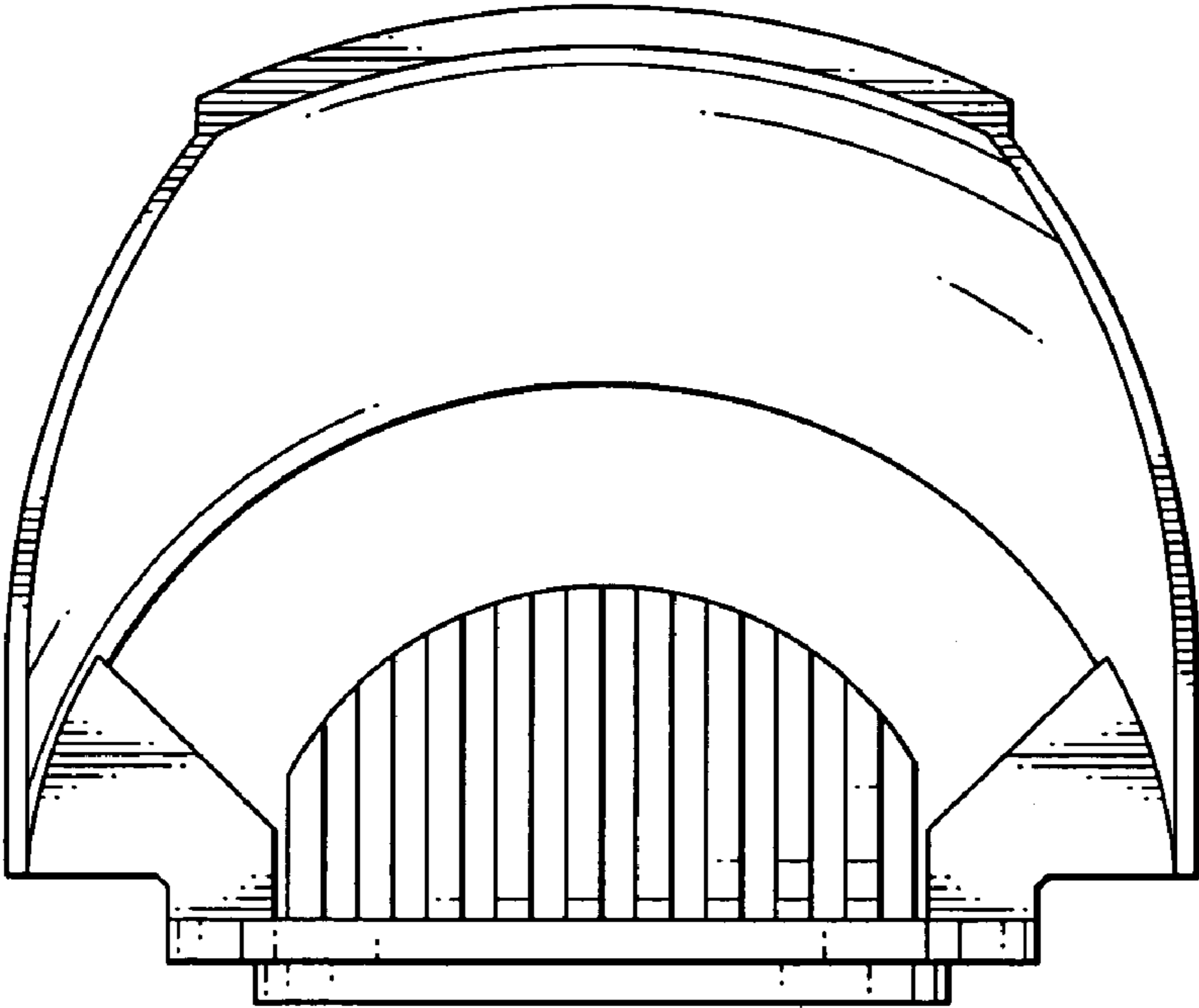


FIG. 3

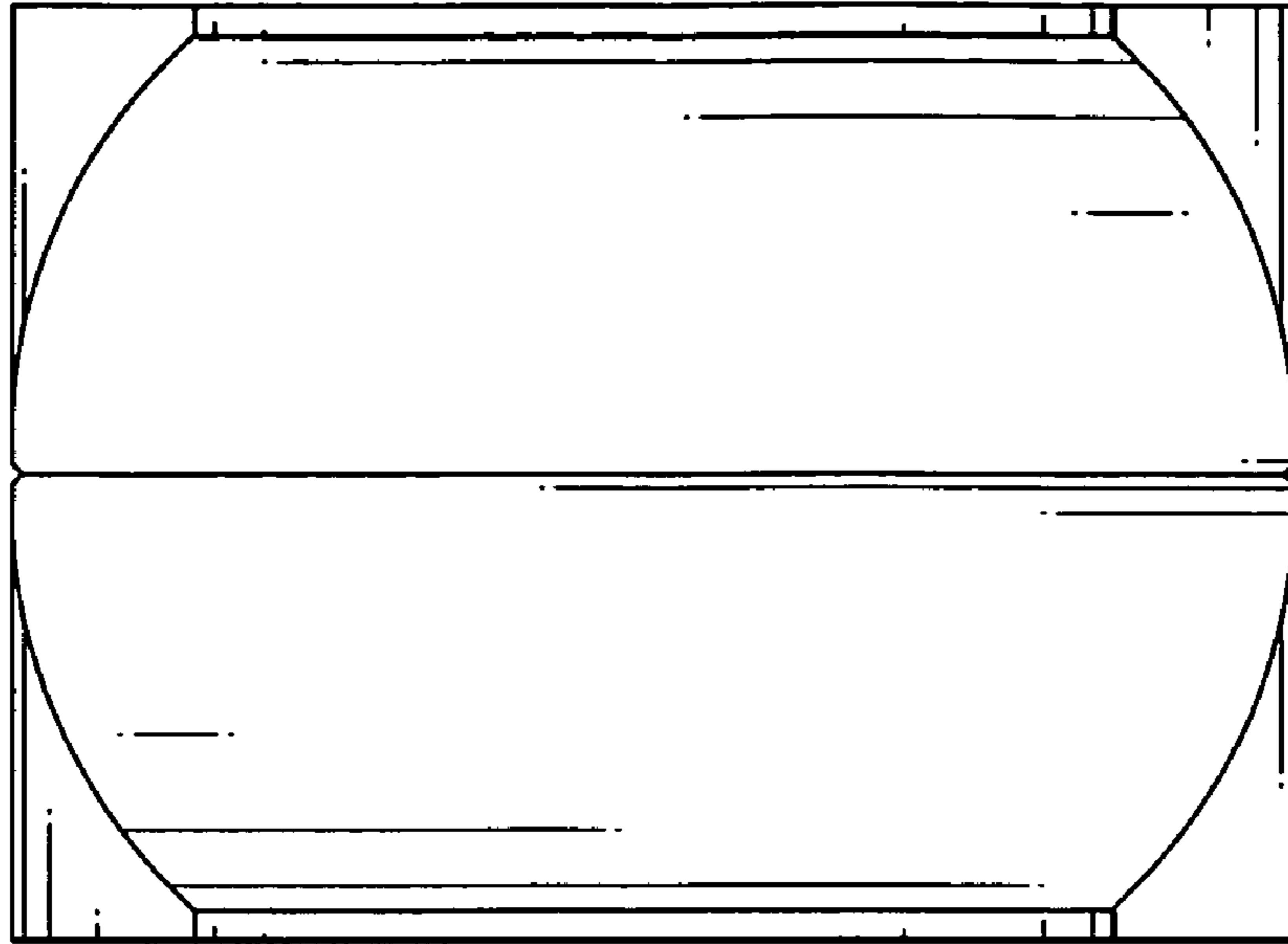


FIG. 4

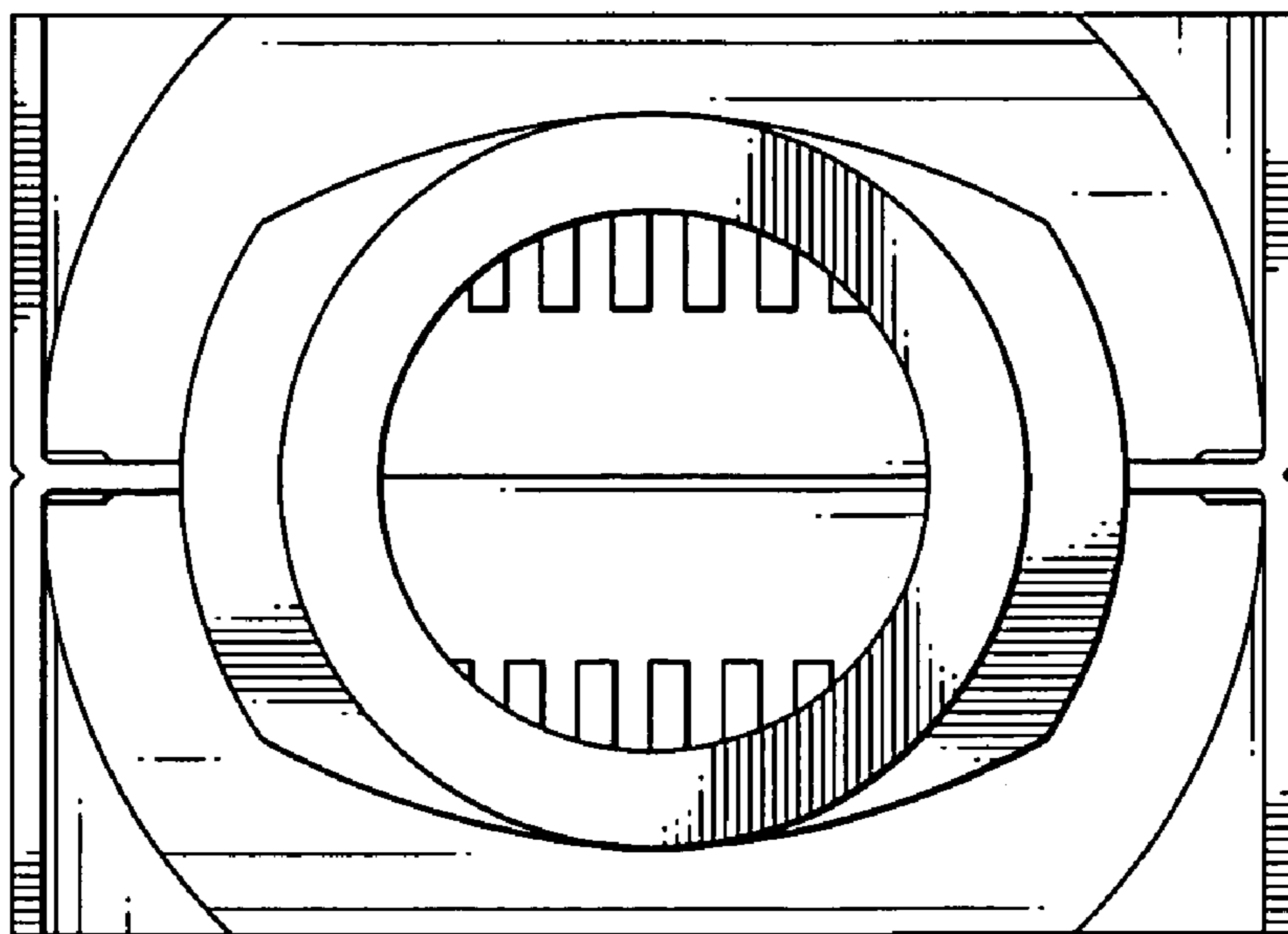


FIG. 5

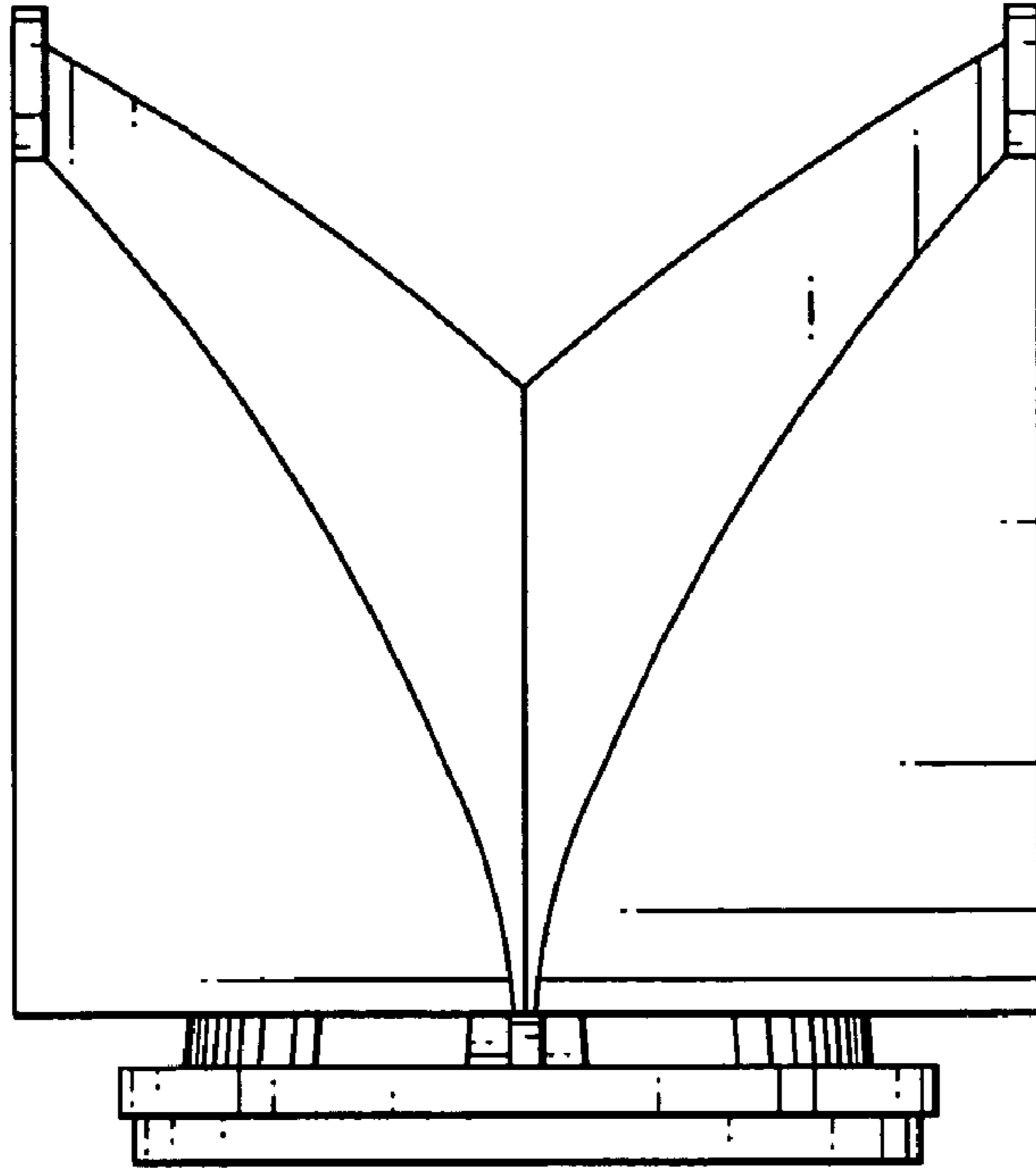


FIG. 6

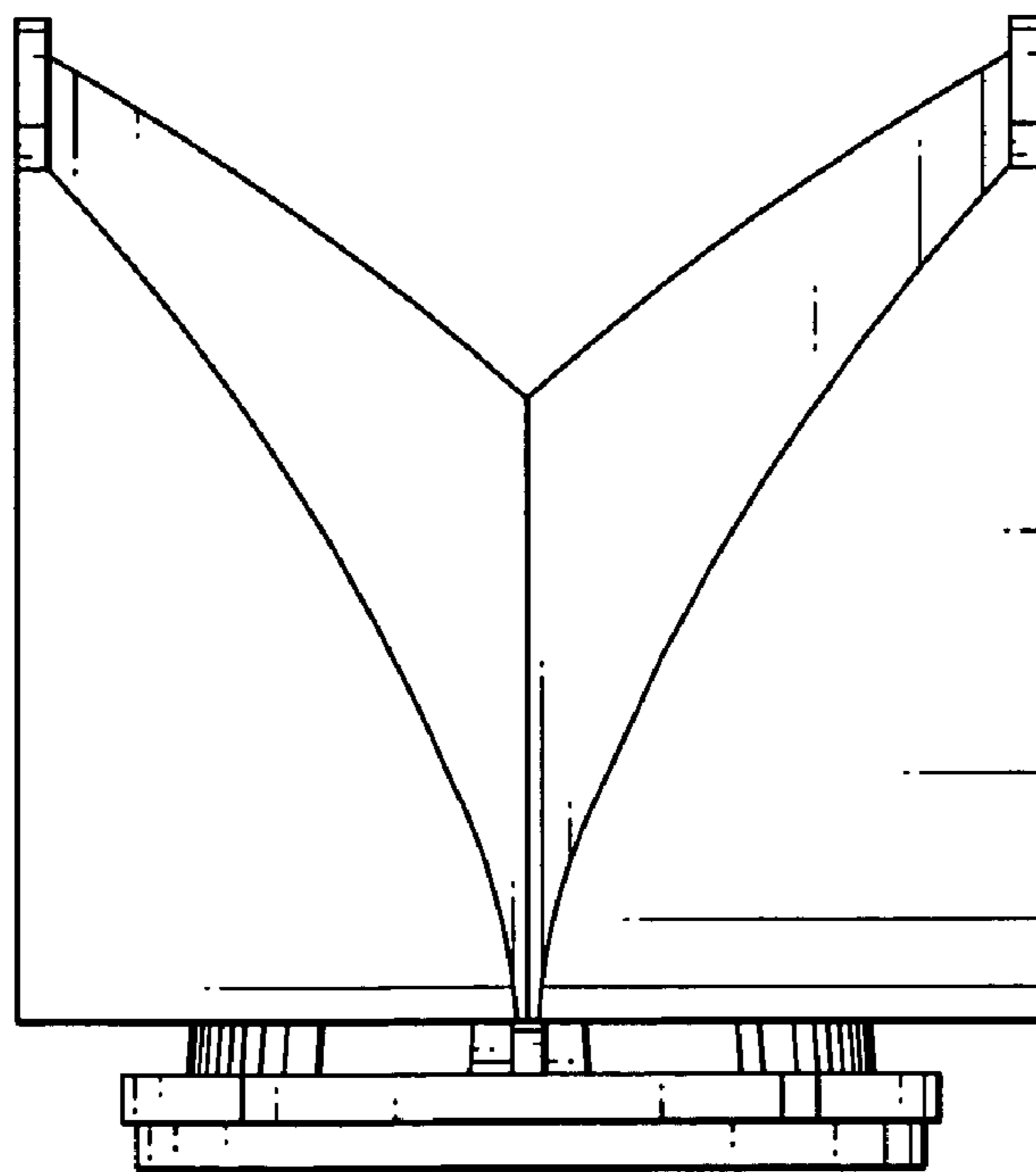


FIG. 7

