



US00D586032S

(12) **United States Design Patent**  
**Salman**

(10) **Patent No.:** **US D586,032 S**  
(45) **Date of Patent:** **\*\* Feb. 3, 2009**

(54) **PORTION OF A LIGHTING FIXTURE**

(75) Inventor: **Utkan Salman**, Oakland, CA (US)

(73) Assignee: **Acuity Brands, Inc.**, Atlanta, GA (US)

(\*\*) Term: **14 Years**

(21) Appl. No.: **29/268,046**

(22) Filed: **Oct. 26, 2006**

(51) **LOC (9) Cl.** ..... **26-99**

(52) **U.S. Cl.** ..... **D26/113**

(58) **Field of Classification Search** ..... D26/118,  
D26/76, 120, 121, 77, 141, 128, 78, 3, 88,  
D26/85, 87, 65, 67, 68, 81, 84, 155, 145,  
D26/142, 113, 138, 57, 72, 73, 75, 82, 89,  
D26/93, 109, 108, 119, 143, 152; D11/90;  
D25/124; D10/114; D13/135; 362/298,  
362/555, 576, 581, 147, 151, 153, 217, 219,  
362/235, 241, 279, 290, 297, 325, 404, 405,  
362/410, 800

See application file for complete search history.

(56) **References Cited**

**U.S. PATENT DOCUMENTS**

|               |         |                 |       |           |
|---------------|---------|-----------------|-------|-----------|
| D106,873 S *  | 11/1937 | Srewart         | ..... | D26/24    |
| D122,861 S *  | 10/1940 | Carter, Jr.     | ..... | D26/77    |
| D122,909 S *  | 10/1940 | Stern           | ..... | D26/78    |
| 2,423,884 A * | 7/1947  | Glass           | ..... | 250/504 R |
| D160,417 S *  | 10/1950 | Nitardy         | ..... | D26/77    |
| 2,670,429 A * | 2/1954  | Tillson         | ..... | 362/354   |
| D177,532 S *  | 4/1956  | Meyer           | ..... | D26/128   |
| 4,494,175 A * | 1/1985  | Gawad et al.    | ..... | 362/150   |
| D300,873 S *  | 4/1989  | Thompson et al. | ..... | D26/74    |
| D300,951 S *  | 5/1989  | Hughes et al.   | ..... | D26/78    |
| D300,953 S *  | 5/1989  | Hughes et al.   | ..... | D26/78    |
| D362,315 S    | 9/1995  | Herst et al.    |       |           |
| D363,805 S *  | 10/1995 | Cole, Jr.       | ..... | D26/76    |

|                |         |                |       |         |
|----------------|---------|----------------|-------|---------|
| 5,803,585 A *  | 9/1998  | Littman et al. | ..... | 362/147 |
| D401,000 S     | 11/1998 | Herst          |       |         |
| D405,907 S     | 2/1999  | Herst et al.   |       |         |
| D405,908 S     | 2/1999  | Herst et al.   |       |         |
| D428,508 S     | 7/2000  | Irvine         |       |         |
| D464,161 S *   | 10/2002 | Nourishad      | ..... | D26/78  |
| D480,168 S *   | 9/2003  | Herst et al.   | ..... | D26/77  |
| 6,709,131 B1   | 3/2004  | Herst et al.   |       |         |
| D496,747 S     | 9/2004  | Herst et al.   |       |         |
| D520,176 S *   | 5/2006  | Herst et al.   | ..... | D26/121 |
| 7,108,398 B2 * | 9/2006  | Holten         | ..... | 362/292 |
| D561,926 S     | 2/2008  | Salman et al.  |       |         |

\* cited by examiner

*Primary Examiner*—Freda S. Nunn

*Assistant Examiner*—Kevin K Rudzinski

(74) *Attorney, Agent, or Firm*—Donald L. Beeson; Beeson Skinner Beverly, LLC

(57) **CLAIM**

The ornamental design for a portion of a lighting fixture, as shown and described.

**DESCRIPTION**

FIG. 1 is a bottom perspective view of a portion of a portion of a lighting fixture showing my new design;

FIG. 2 is a top perspective view thereof;

FIG. 3 is an enlarged bottom plan view thereof;

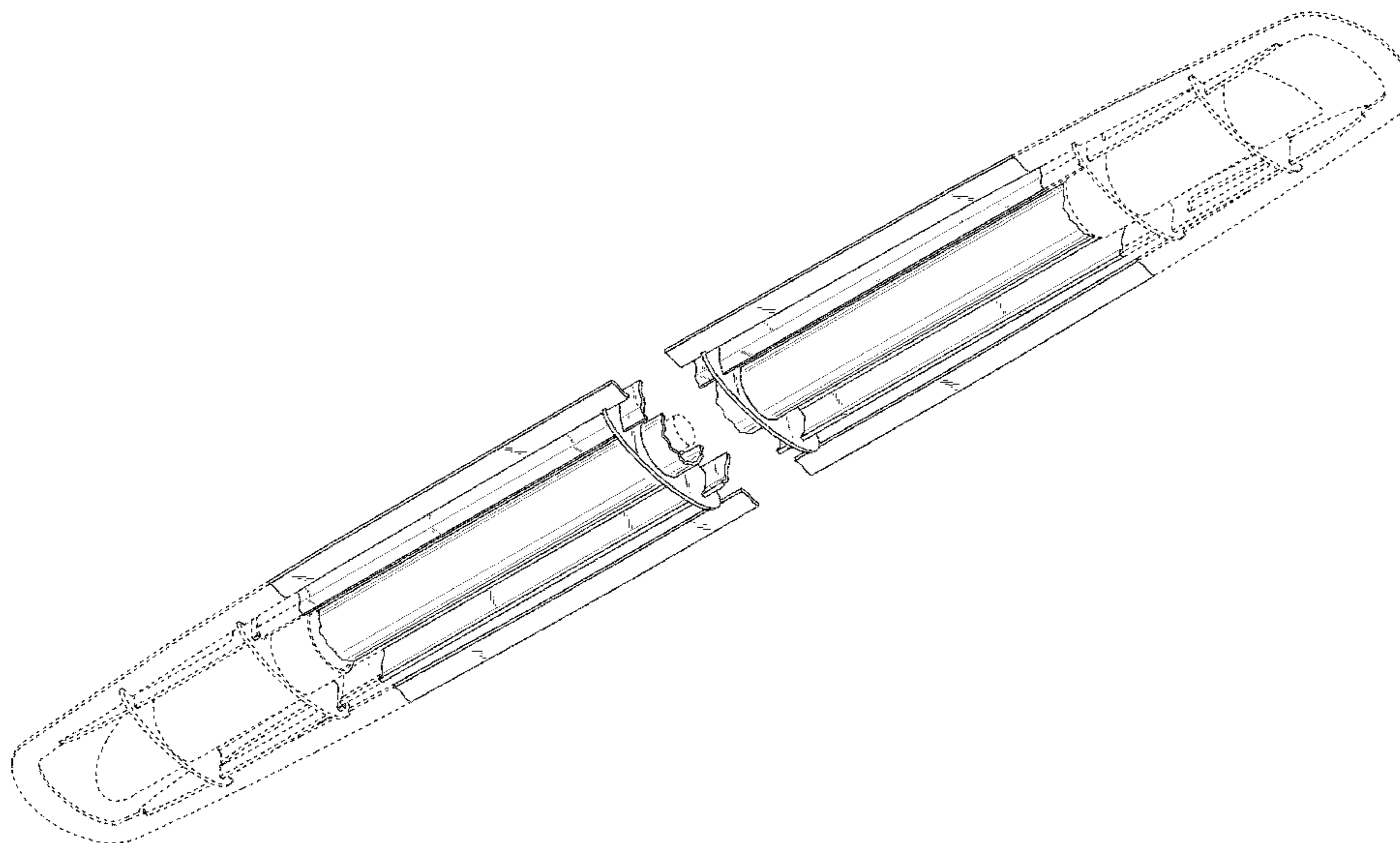
FIG. 4 is an enlarged top plan view thereof;

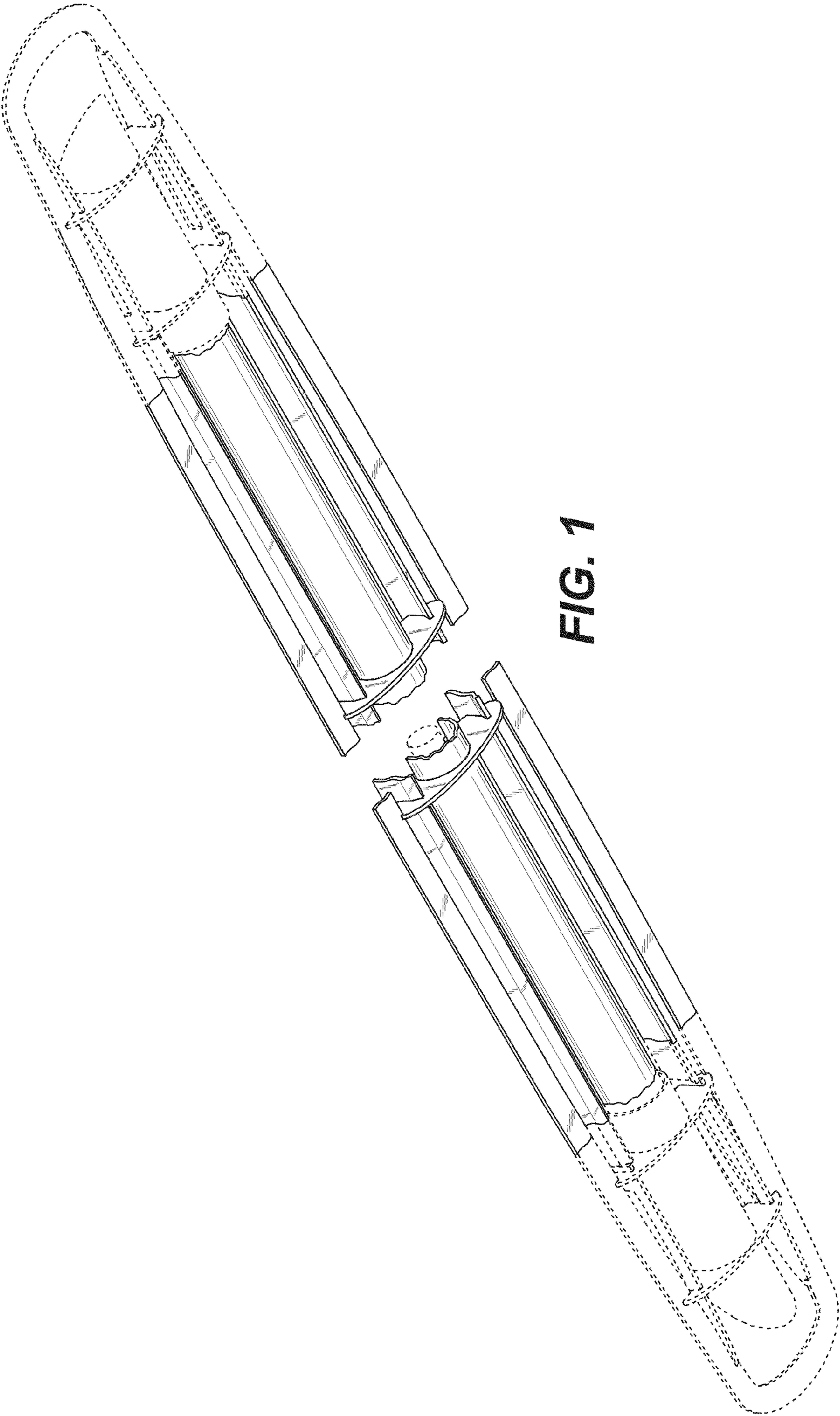
FIG. 5 is an enlarged side elevational view thereof, the other side being a mirror image; and,

FIG. 6 is an enlarged end elevational view thereof, the other end being a mirror image.

FIGS. 1–5 are broken away to indicate indeterminate length. The broken lines are shown in FIGS. 1 and 2 for illustrative purposes only and form no part of my claimed design.

**1 Claim, 4 Drawing Sheets**





**FIG. 1**

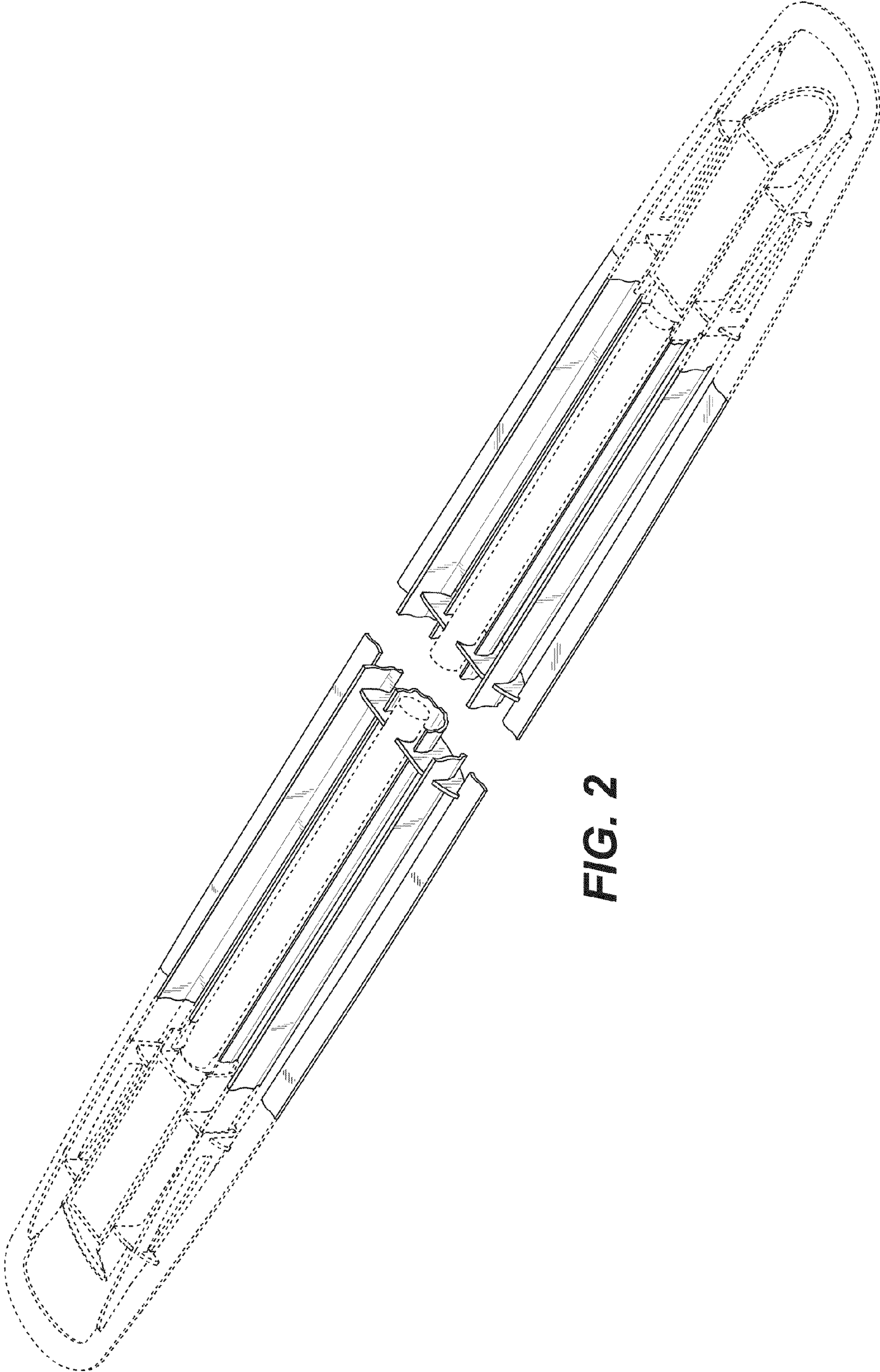


FIG. 2

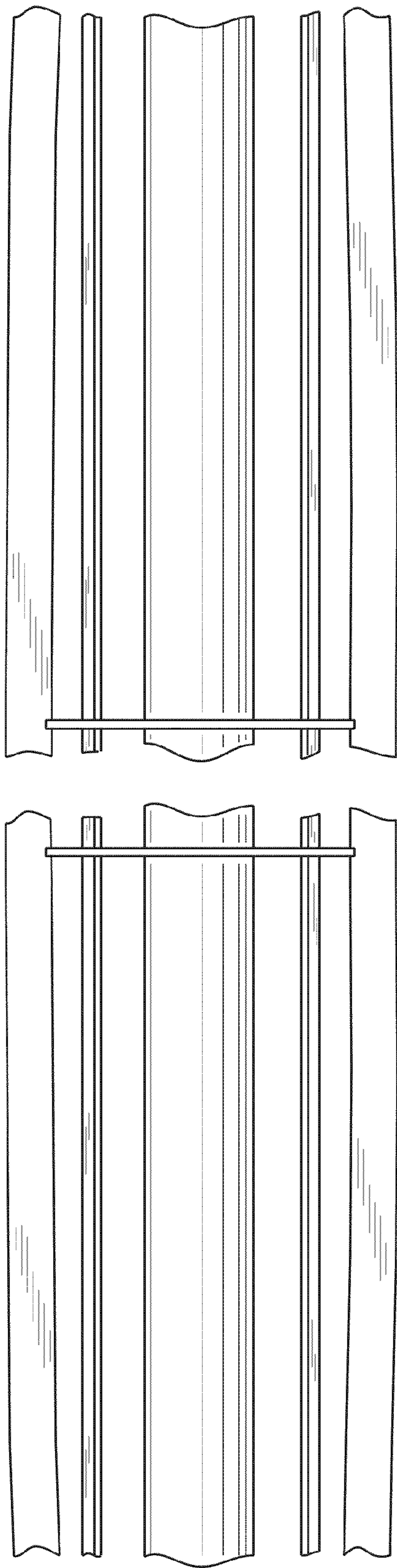


FIG. 3

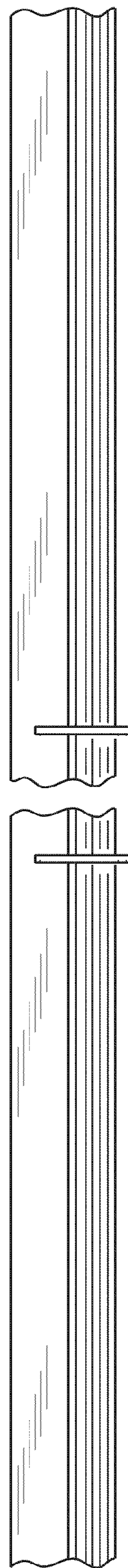


FIG. 5

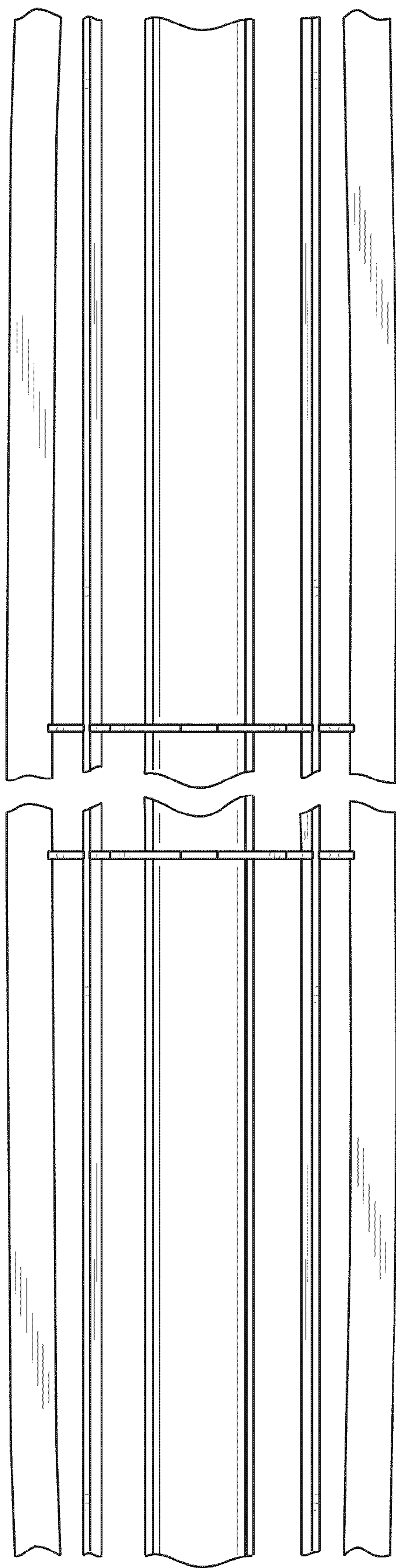


FIG. 4



FIG. 6