



US00D586029S

(12) **United States Design Patent**
Copeland

(10) **Patent No.:** **US D586,029 S**

(45) **Date of Patent:** **** Feb. 3, 2009**

(54) **LIGHT**

(75) **Inventor:** **Steve A. Copeland, Barrie (CA)**

(73) **Assignee:** **American Tack and Hardware Co., Inc., Saddle River, NJ (US)**

(**) **Term:** **14 Years**

(21) **Appl. No.:** **29/323,723**

(22) **Filed:** **Aug. 29, 2008**

(51) **LOC (9) Cl.** **26-03**

(52) **U.S. Cl.** **D26/83; D26/76**

(58) **Field of Classification Search** D26/72,
D26/76, 83, 89, 120, 121; 362/147, 404,
362/453-456, 451, 488, 490, 319, 325, 354,
362/520-522

See application file for complete search history.

(56) **References Cited**

U.S. PATENT DOCUMENTS

| | | | | |
|---------------|---------|------------|-------|---------|
| D134,830 S * | 1/1943 | Cadwallder | | D26/120 |
| D140,107 S * | 1/1945 | Lippincott | | D26/76 |
| D141,068 S * | 5/1945 | Maurette | | D26/76 |
| 2,673,914 A * | 3/1954 | Sundt | | D26/76 |
| D189,256 S * | 11/1960 | Rothman | | D26/76 |
| D221,986 S * | 9/1971 | Taylor | | D26/83 |

| | | | | |
|----------------|---------|-------------|-------|---------|
| D443,096 S * | 5/2001 | Echito | | D26/76 |
| 6,247,828 B1 * | 6/2001 | Herst | | 362/354 |
| D498,018 S * | 11/2004 | Sieczkowski | | D26/76 |
| D572,400 S * | 7/2008 | Benensohn | | D26/76 |

* cited by examiner

Primary Examiner—Clare E Heflin

(74) *Attorney, Agent, or Firm*—Hedman & Costigan PC;
Kathleen A. Costigan

(57) **CLAIM**

The ornamental design for a light, as shown and described.

DESCRIPTION

FIG. 1 is a front and left side perspective view of a light showing my new design;

FIG. 2 is a front elevational view thereof;

FIG. 3 is a back elevational view thereof;

FIG. 4 is a right side elevational view thereof;

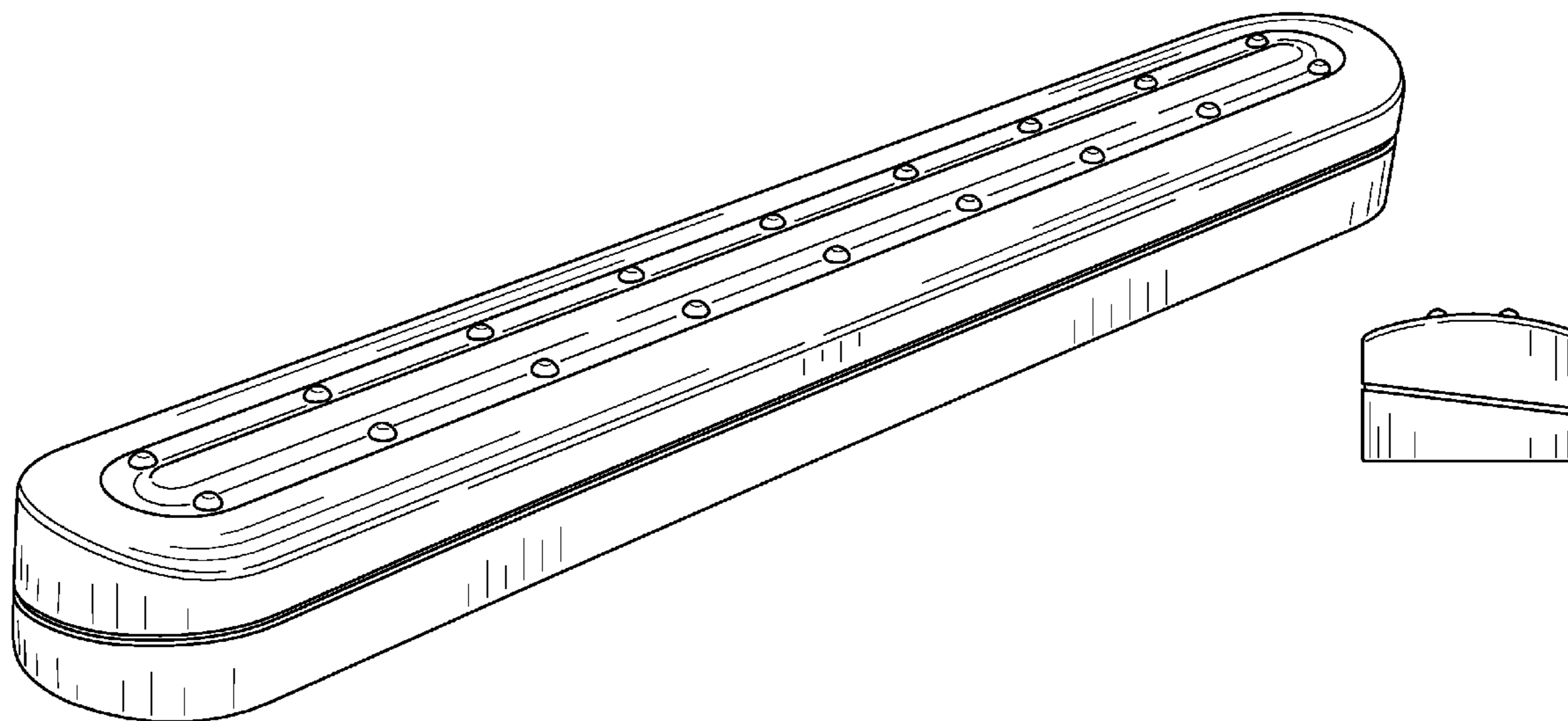
FIG. 5 is a left side elevational view thereof;

FIG. 6 is a top plan view thereof; and,

FIG. 7 is a bottom plan view thereof.

The broken lines in FIG. 6 depict environment only and form no part of the claimed design.

1 Claim, 3 Drawing Sheets



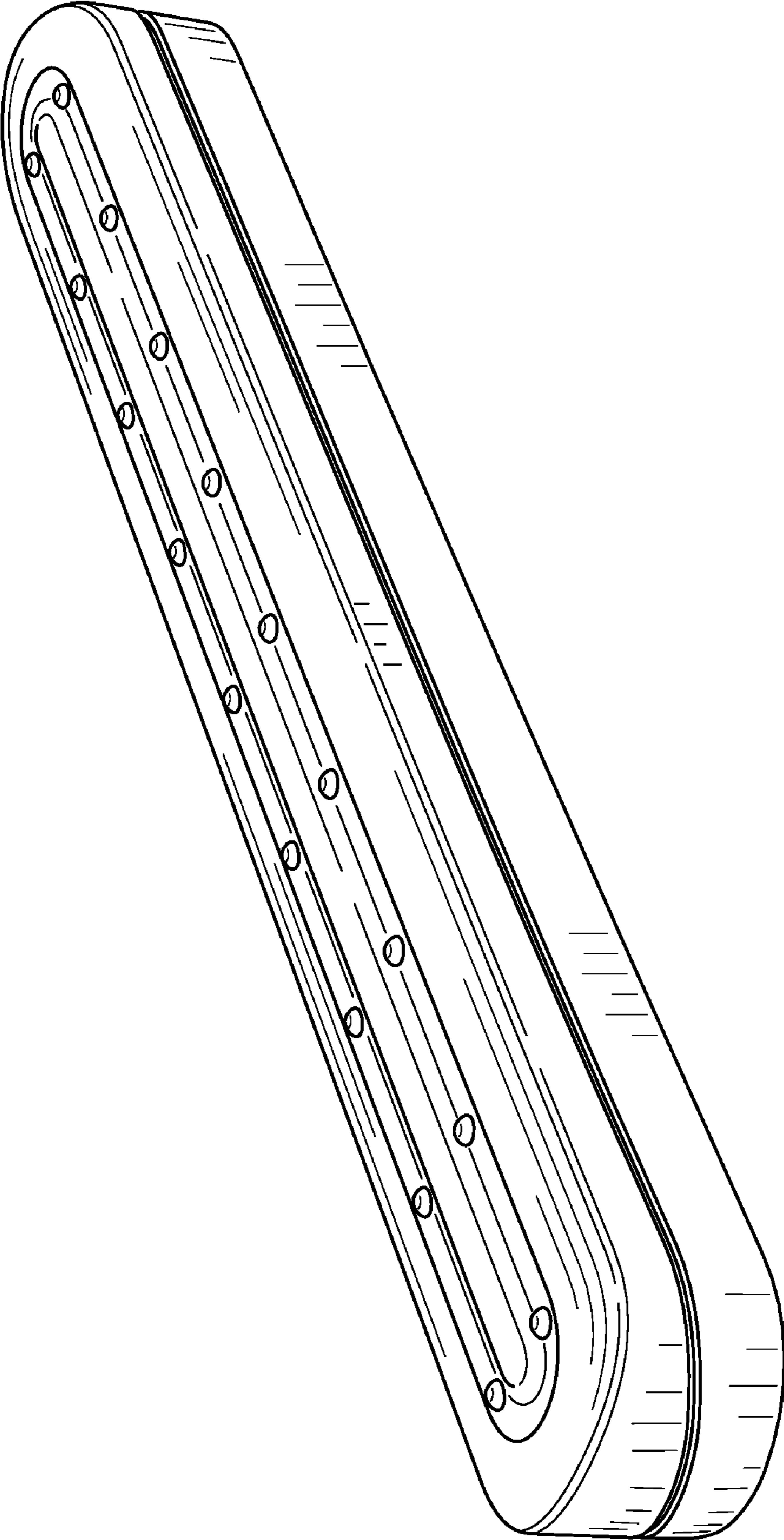


FIG. 1

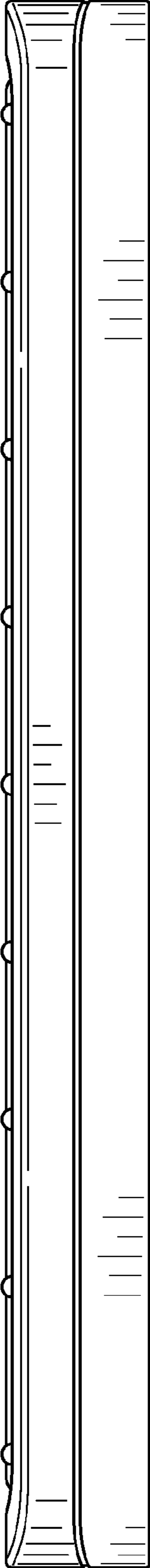


FIG. 2

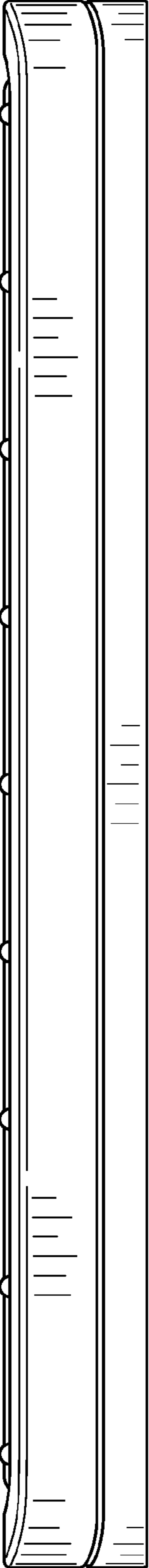


FIG. 3

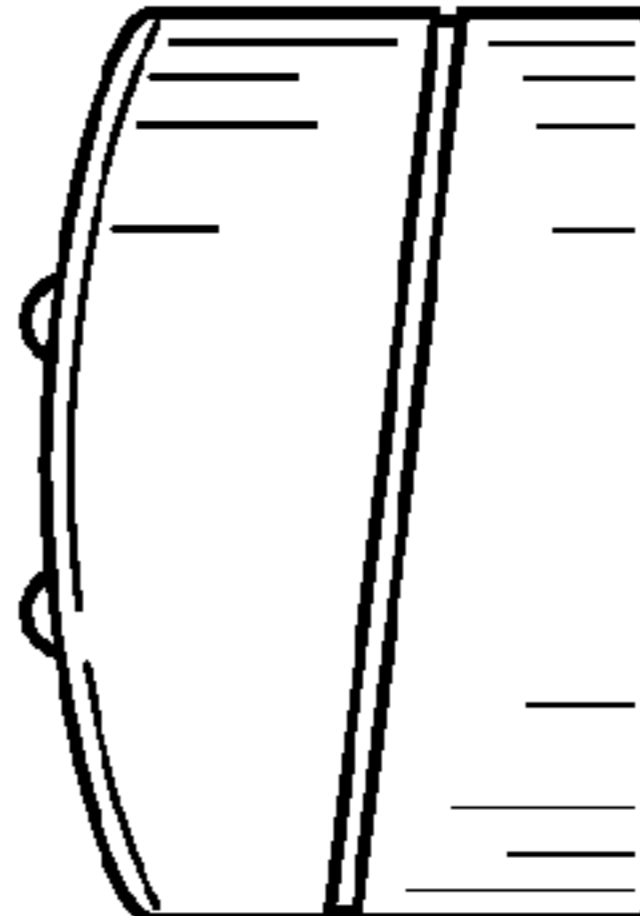


FIG. 4

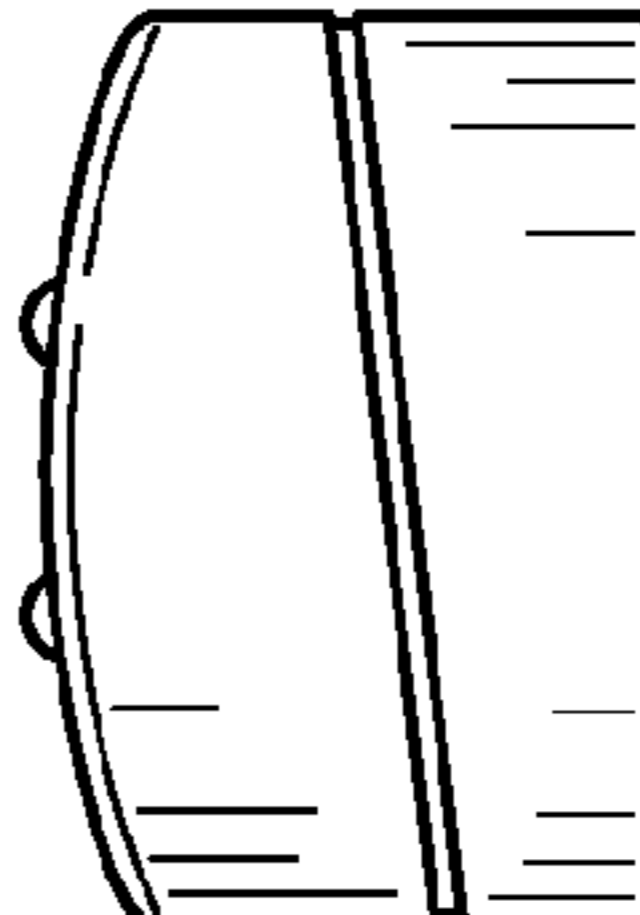


FIG. 5

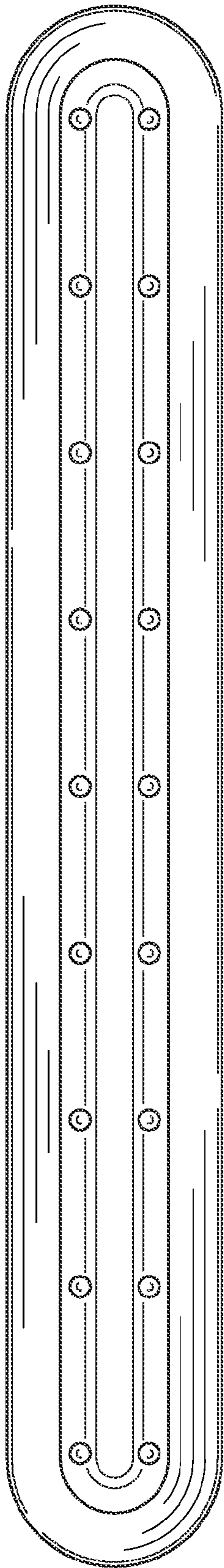


FIG. 6

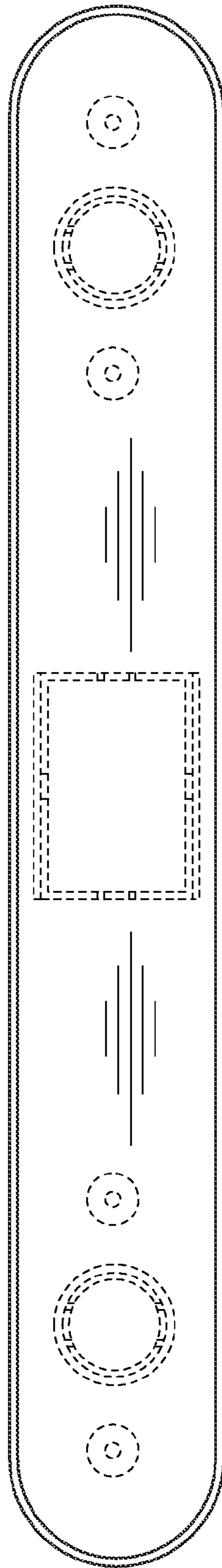


FIG. 7