



US00D586026S

(12) **United States Design Patent**
Hanson et al.

(10) **Patent No.:** **US D586,026 S**

(45) **Date of Patent:** **** Feb. 3, 2009**

(54) **DENTAL LIGHT**

D377,227 S * 1/1997 Nordstrom et al. D26/65
D463,056 S * 9/2002 Waites D26/65

(76) Inventors: **Richard W. Hanson**, 22890 SW.
Lincoln St., Sherwood, OR (US) 97140;
Austin E. Unsworth, 281 Burl St.,
Newberg, OR (US) 97132

* cited by examiner

Primary Examiner—Cathron Brooks
Assistant Examiner—Barbara Fox
(74) *Attorney, Agent, or Firm*—TraskBritt

(**) Term: **14 Years**

(57) **CLAIM**

(21) Appl. No.: **29/237,761**

The ornamental design for a dental light, as shown and described.

(22) Filed: **Sep. 6, 2005**

(51) **LOC (9) Cl.** **26-05**

(52) **U.S. Cl.** **D26/61**

(58) **Field of Classification Search** D26/60–66;
362/275, 277, 282, 283, 285, 287, 413, 418,
362/419, 427, 573, 804

See application file for complete search history.

DESCRIPTION

FIG. 1 is a perspective view of a dental light showing my new design;

FIG. 2 is a front view of the dental light shown in FIG. 1;

FIG. 3 is a back view of the dental light shown in FIG. 1;

FIG. 4 is a left side view of the dental light shown in FIG. 1;

FIG. 5 is a right side view of the dental light shown in FIG. 1;

FIG. 6 is a top view of the dental light shown in FIG. 1; and,

FIG. 7 is a bottom view of the dental light shown in FIG. 1.

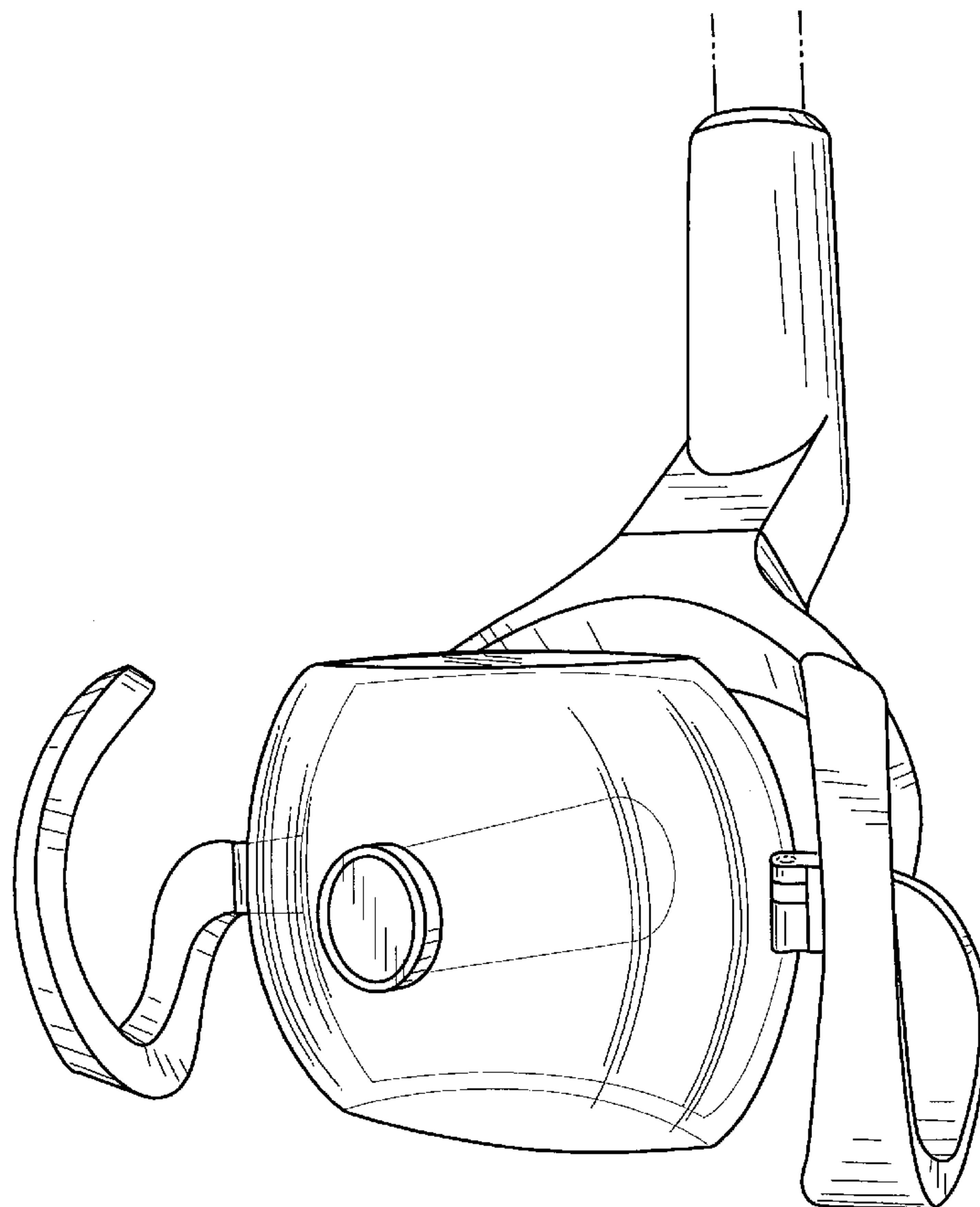
The broken lines shown in the drawings illustrate portions of the design and environmental structure, and form no part of the claimed design.

(56) **References Cited**

U.S. PATENT DOCUMENTS

D201,038	S	*	5/1965	Sullivan	D26/61
3,191,023	A	*	6/1965	Jones et al.	362/220
4,234,247	A	*	11/1980	Dorman	362/297
4,254,454	A	*	3/1981	Hardin, Jr.	362/282
4,254,455	A	*	3/1981	Neal, Jr.	362/296
D308,112	S	*	5/1990	Targetti	D26/72
4,930,058	A	*	5/1990	Jones et al.	362/400

1 Claim, 5 Drawing Sheets



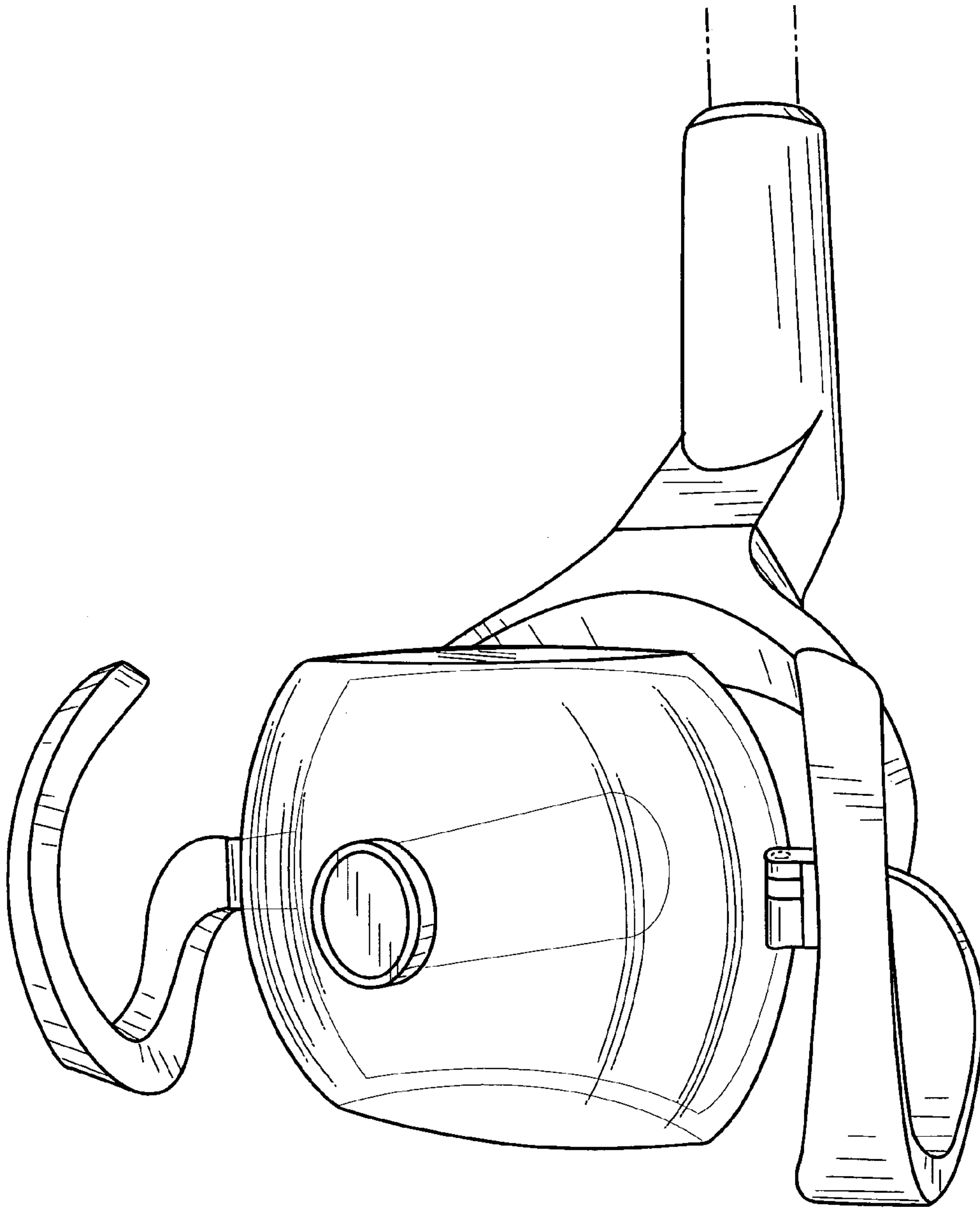


FIG. 1

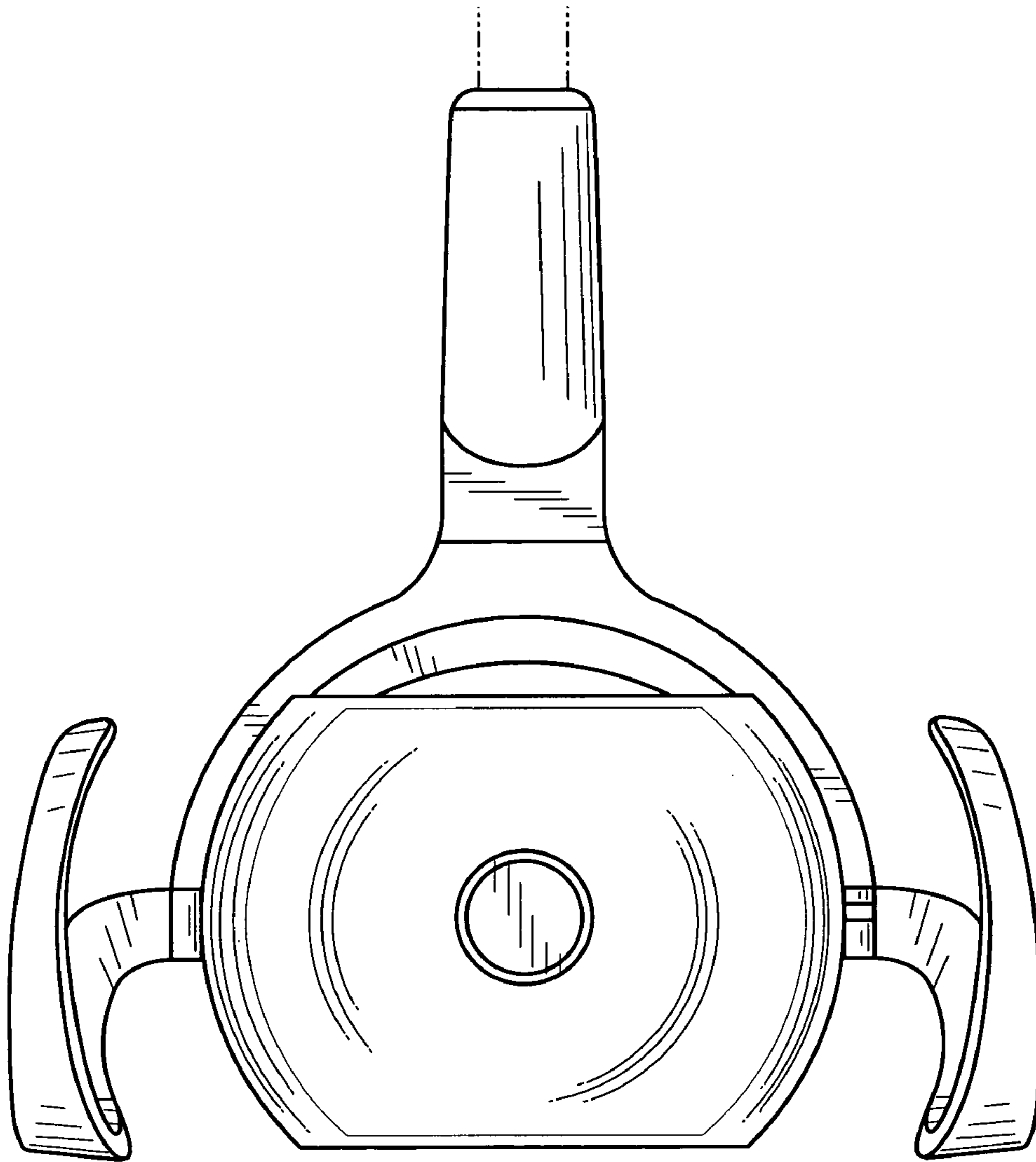


FIG. 2

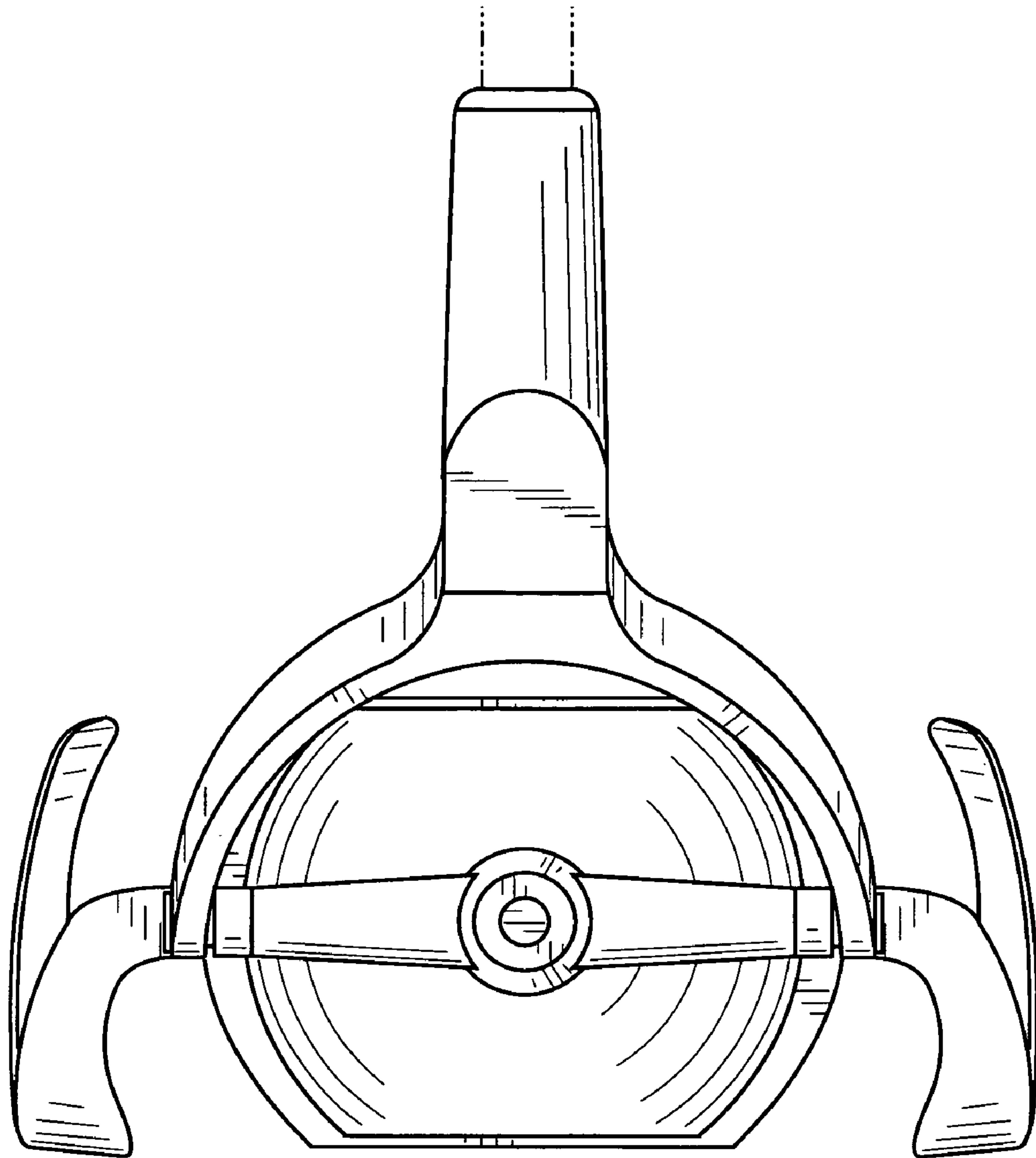


FIG. 3

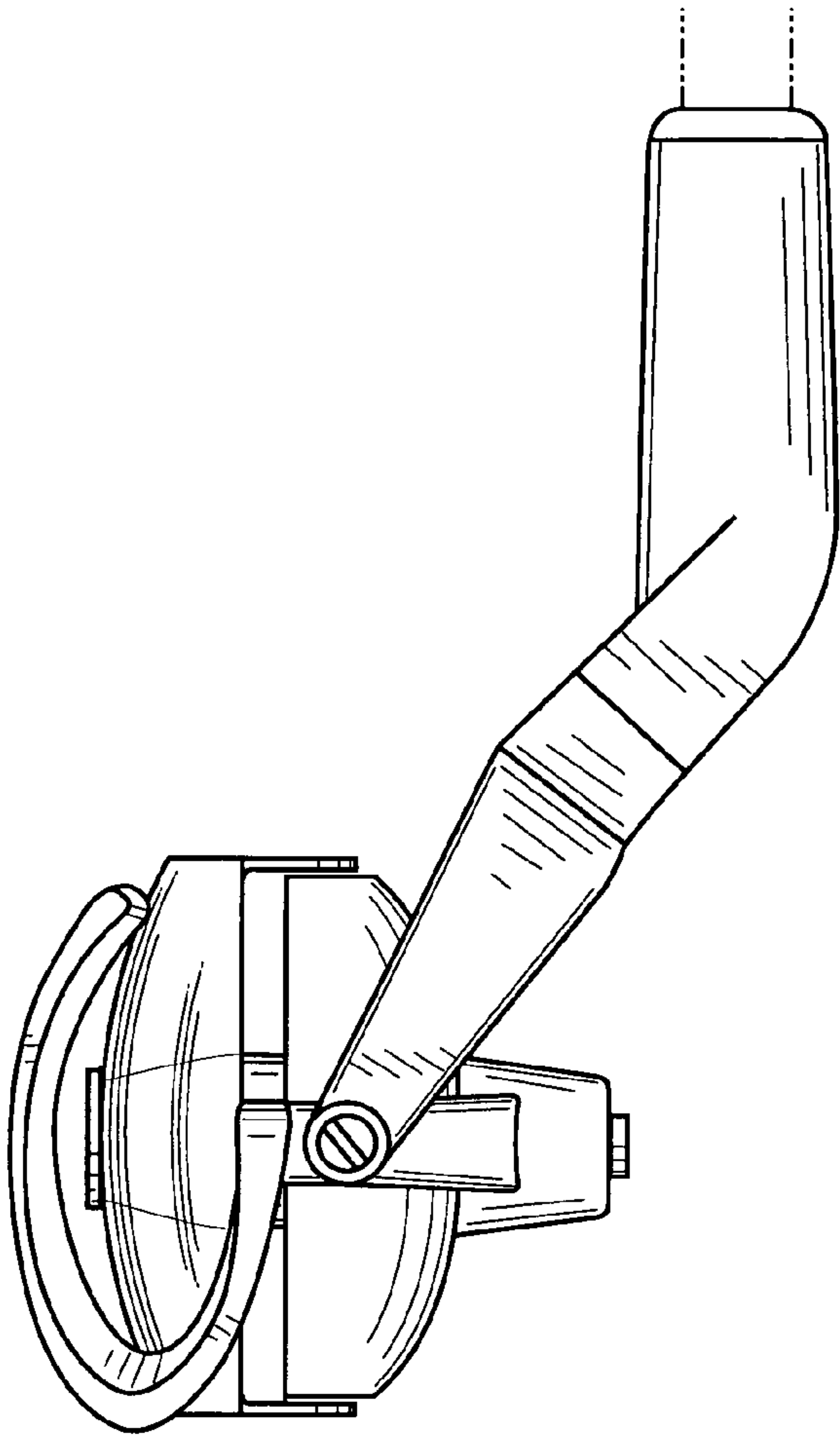


FIG. 4

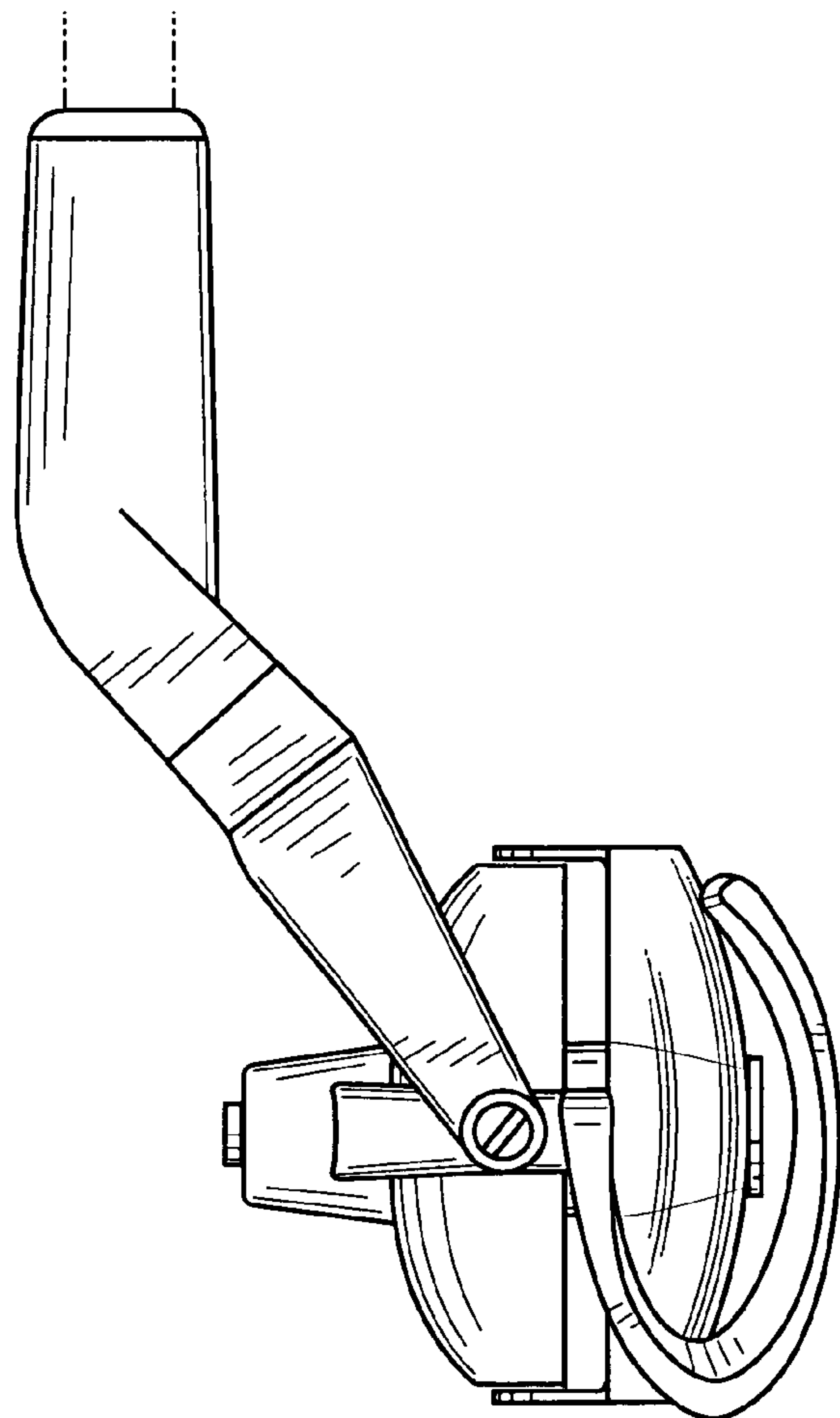


FIG. 5

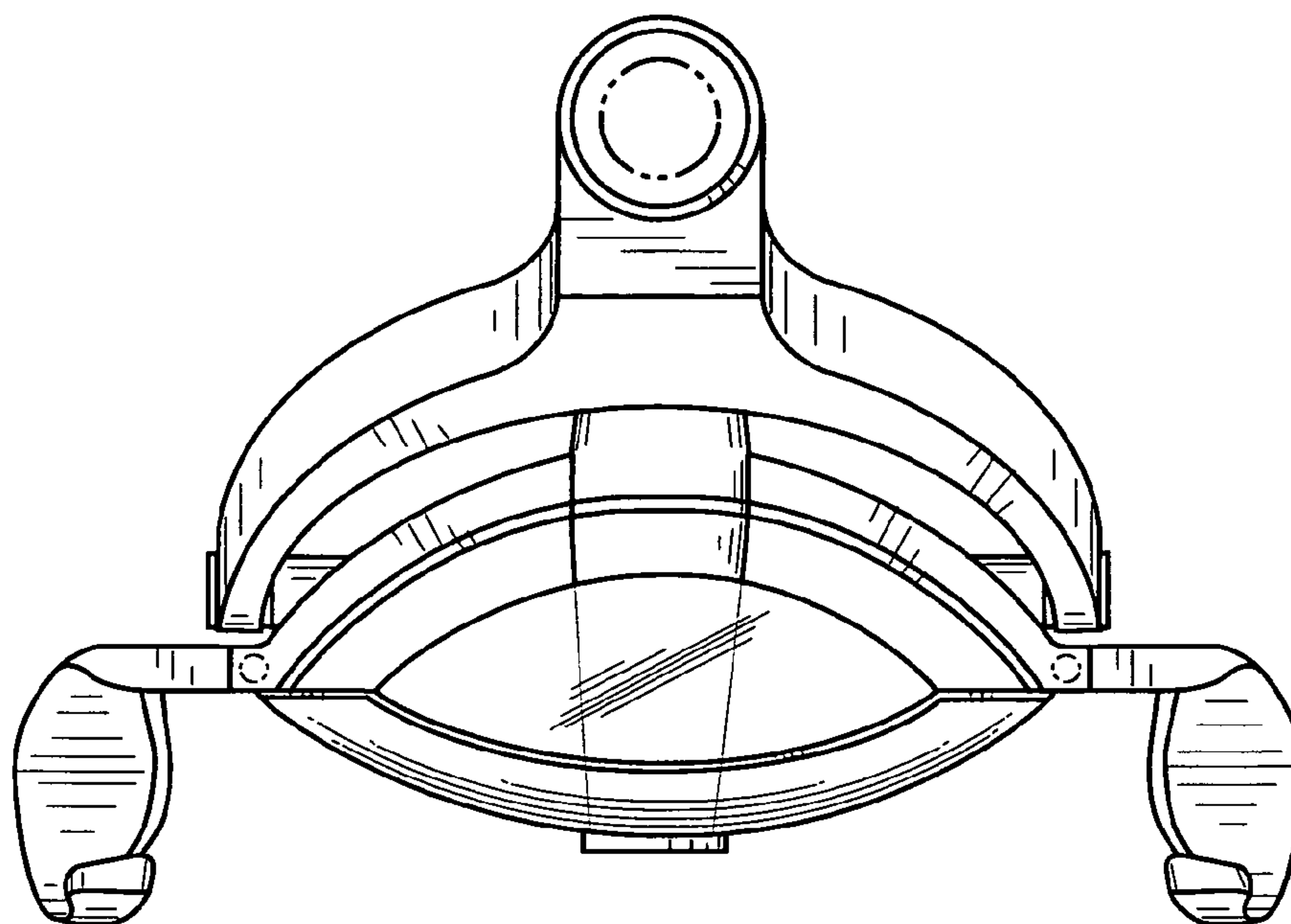


FIG. 6

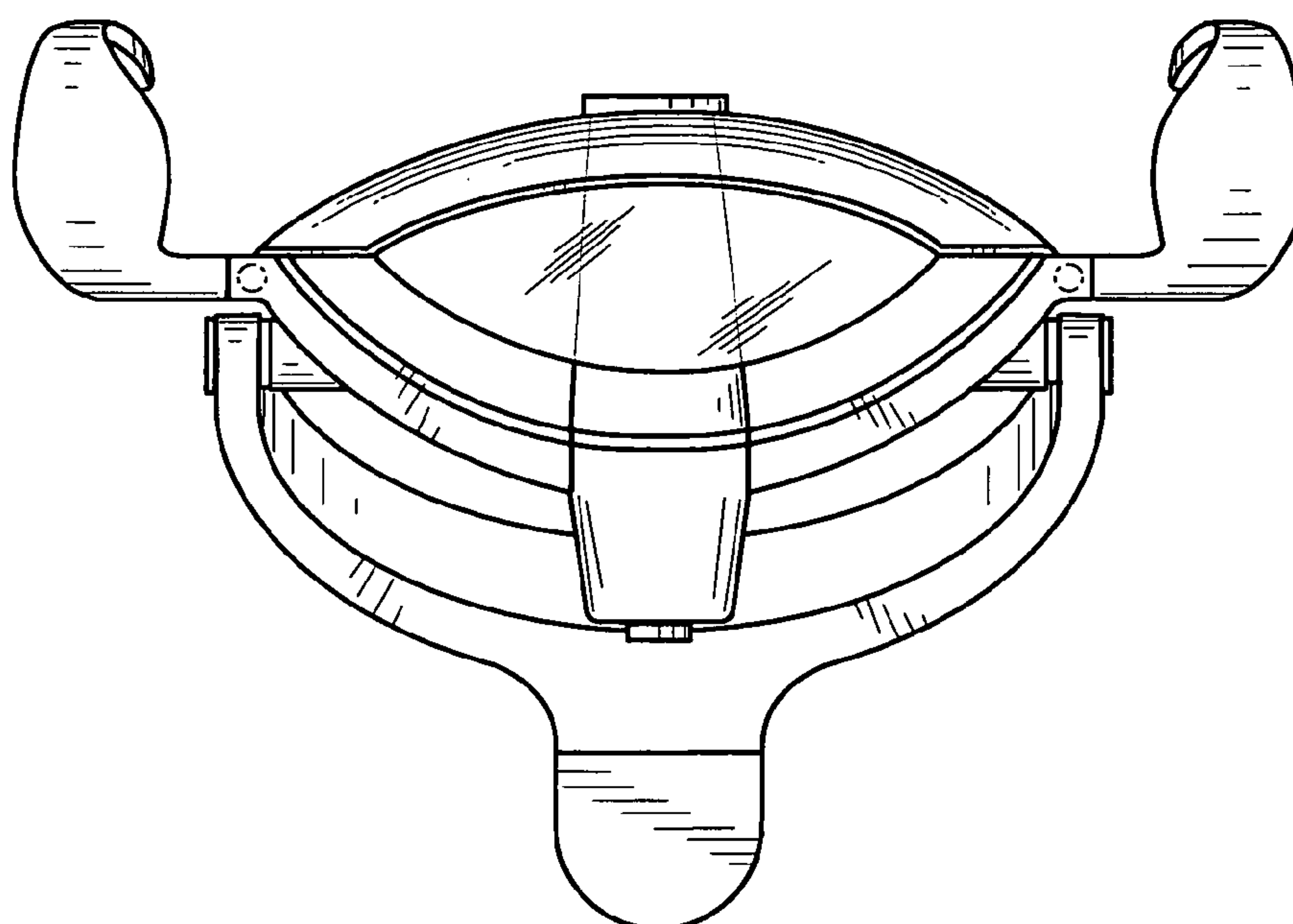


FIG. 7