



US00D586025S

(12) **United States Design Patent**
Bonis

(10) **Patent No.:** **US D586,025 S**
(45) **Date of Patent:** **** Feb. 3, 2009**

(54) **FLASHLIGHT**

(76) **Inventor:** **James G. Bonis**, 170 Kenwick Rd.,
Rochester, NY (US) 14623

(**) **Term:** **14 Years**

(21) **Appl. No.:** **29/298,134**

(22) **Filed:** **Nov. 29, 2007**

(51) **LOC (9) Cl.** **26-02**

(52) **U.S. Cl.** **D26/49**

(58) **Field of Classification Search** D26/37,
D26/46, 48, 49, 50; 362/157, 158, 183, 184,
362/190, 194, 195, 196, 197, 202, 203-208
See application file for complete search history.

(56) **References Cited**

U.S. PATENT DOCUMENTS

| | | | | |
|--------------|---------|-----------------|-------|--------|
| D268,528 S * | 4/1983 | Hung | | D26/49 |
| D509,008 S * | 8/2005 | Shiu | | D26/37 |
| D513,334 S * | 12/2005 | Galey | | D26/37 |
| D521,166 S * | 5/2006 | Yamamoto et al. | | D26/37 |
| D532,138 S * | 11/2006 | Wang et al. | | D26/49 |
| D541,454 S * | 4/2007 | Galey | | D26/49 |

| | | | | |
|----------------|---------|---------------|-------|---------|
| D554,281 S * | 10/2007 | Bushee et al. | | D26/37 |
| 7,278,764 B2 * | 10/2007 | Kim | | 362/382 |
| D566,314 S * | 4/2008 | Jen | | D26/49 |

* cited by examiner

Primary Examiner—Ian Simmons
Assistant Examiner—Carissa C Fitts

(57) **CLAIM**

The ornamental design for a flashlight, as shown.

DESCRIPTION

FIG. 1 is a front perspective view of a flashlight showing my new design;

FIG. 2 is a front elevational view thereof;

FIG. 3 is a left side elevational view thereof;

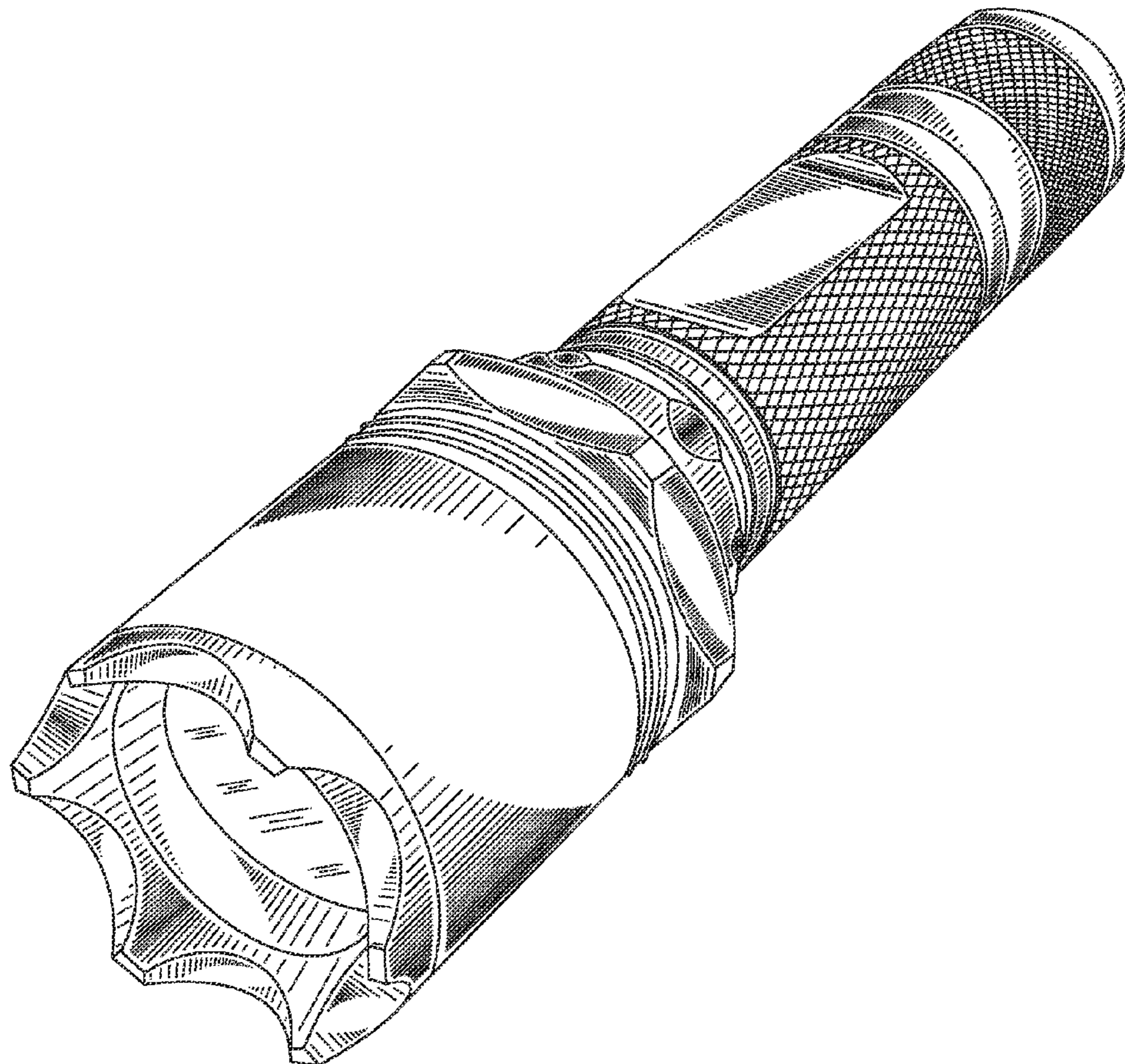
FIG. 4 is a rear plan view thereof;

FIG. 5 is a right side elevational view thereof;

FIG. 6 is a top plan view thereof; and,

FIG. 7 is a bottom plan view thereof.

1 Claim, 7 Drawing Sheets



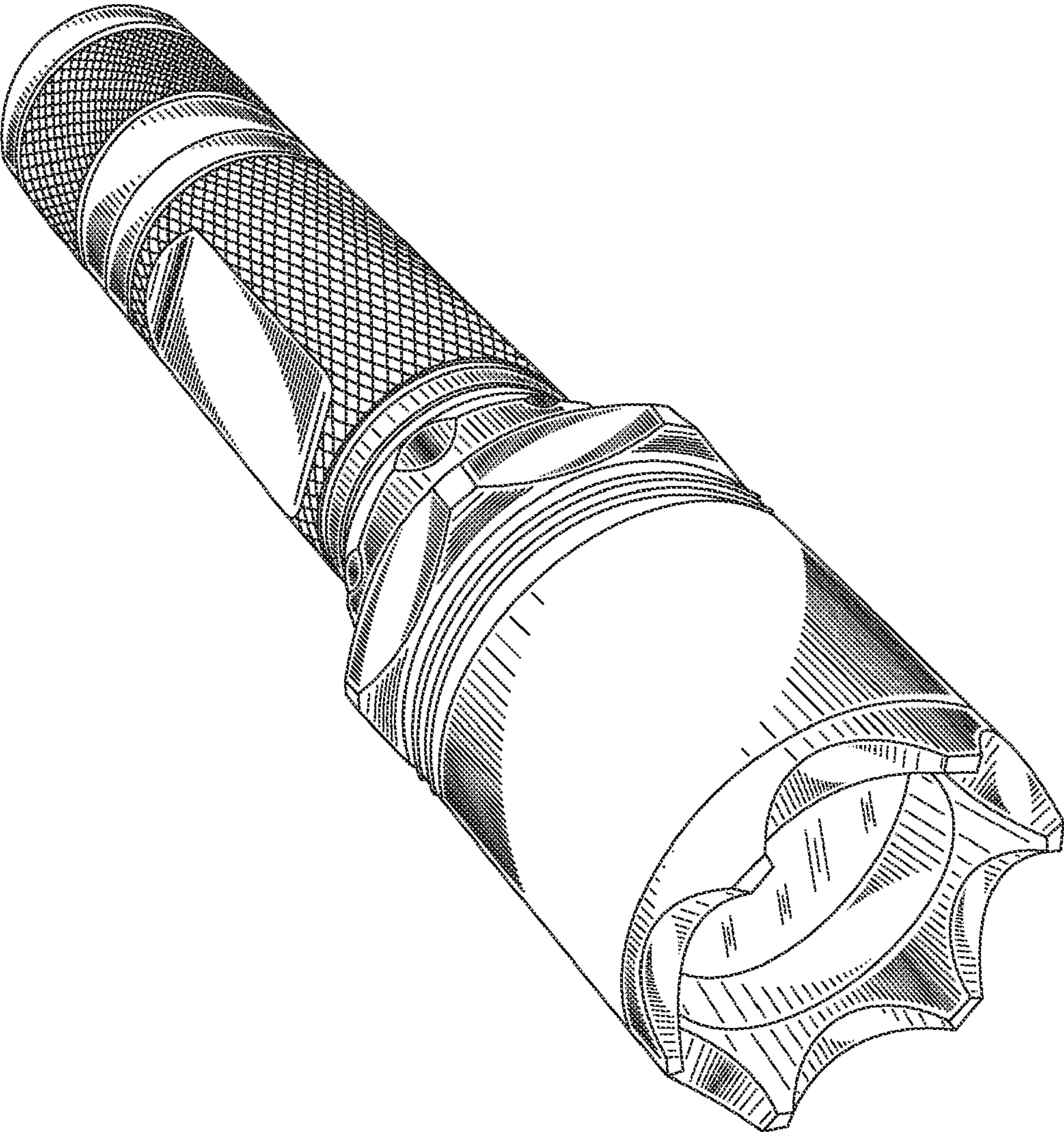


FIG. 1

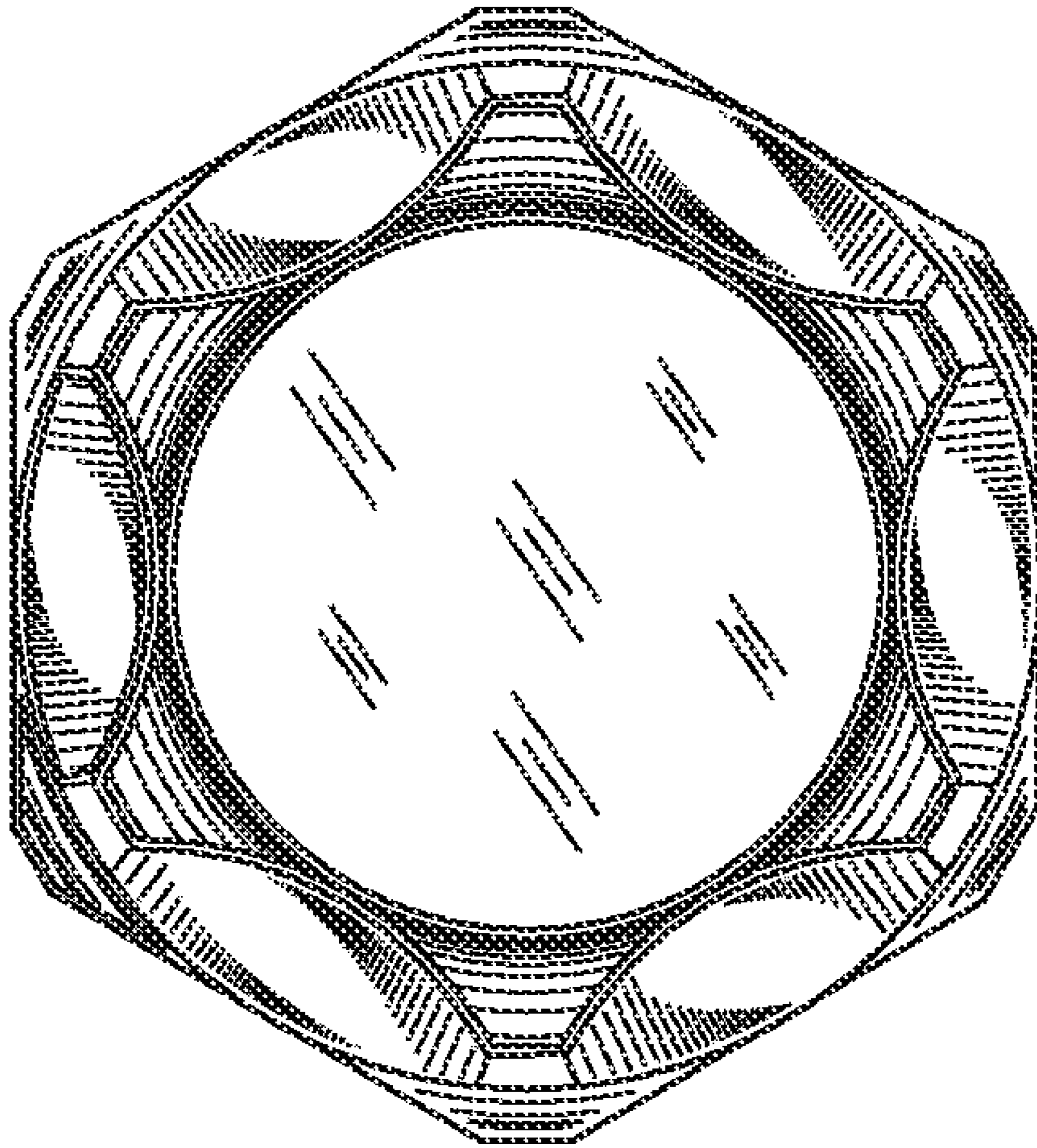


FIG. 2

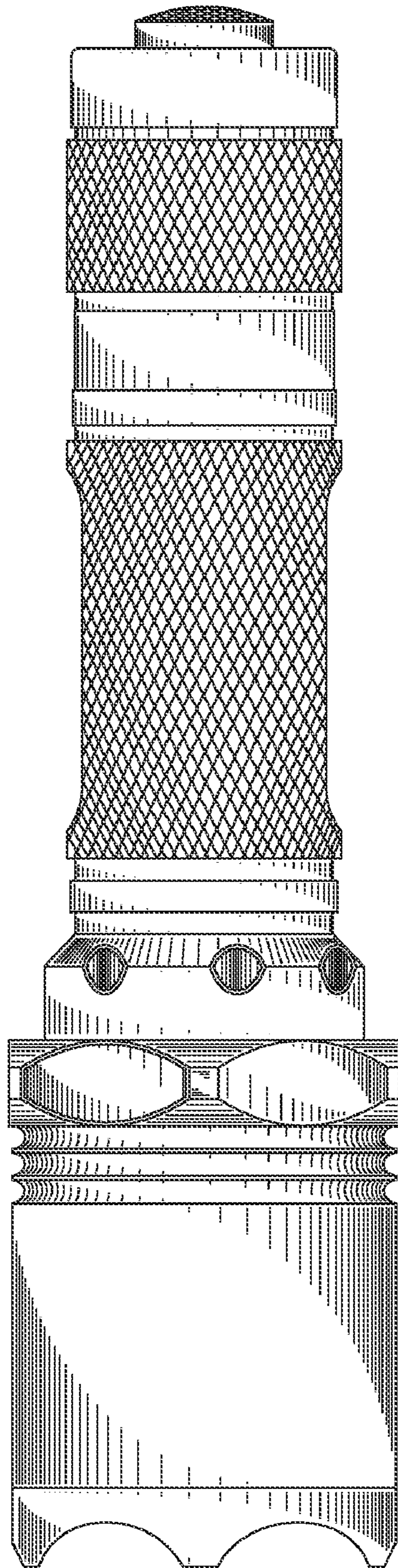


FIG. 3

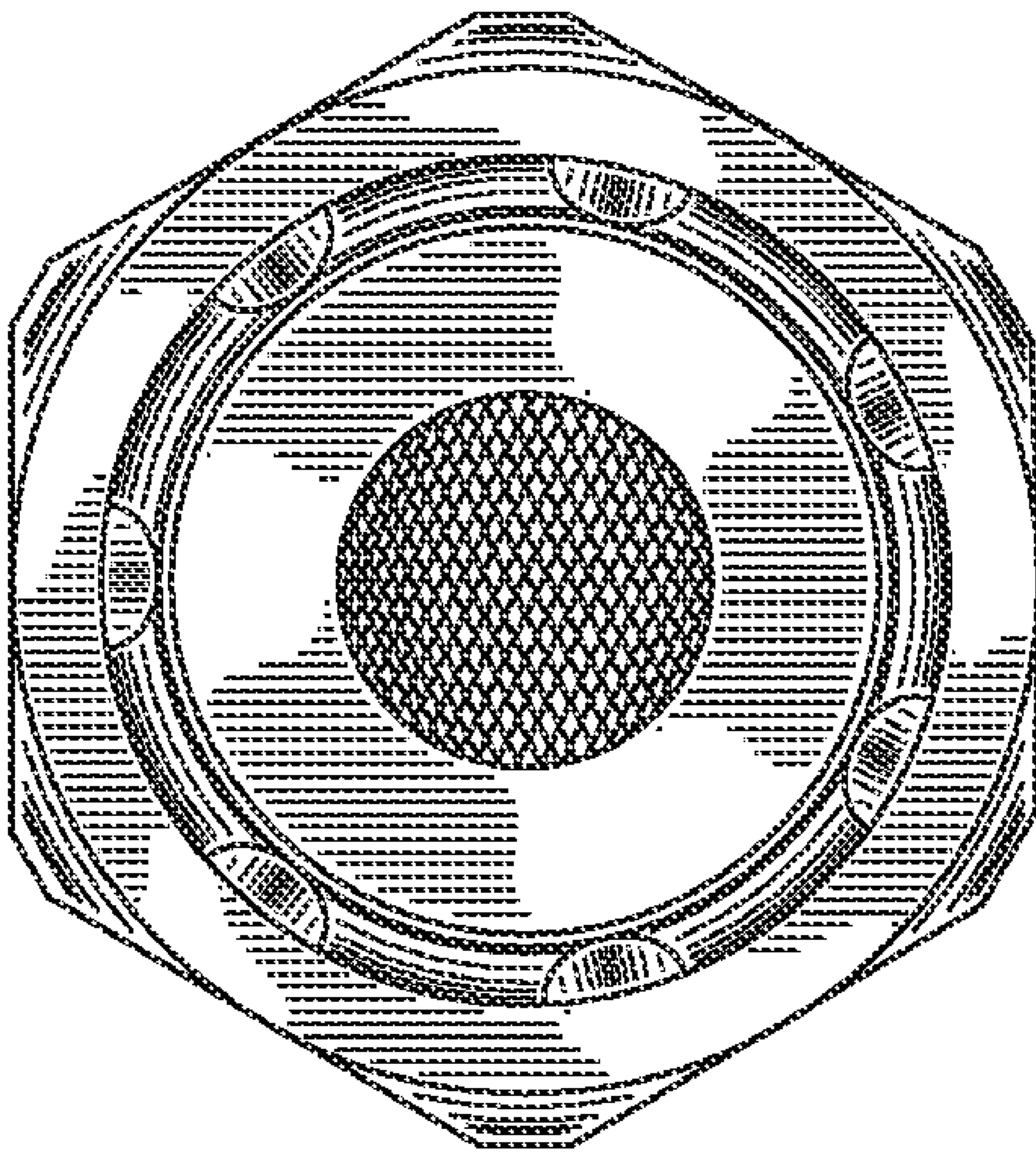


FIG. 4

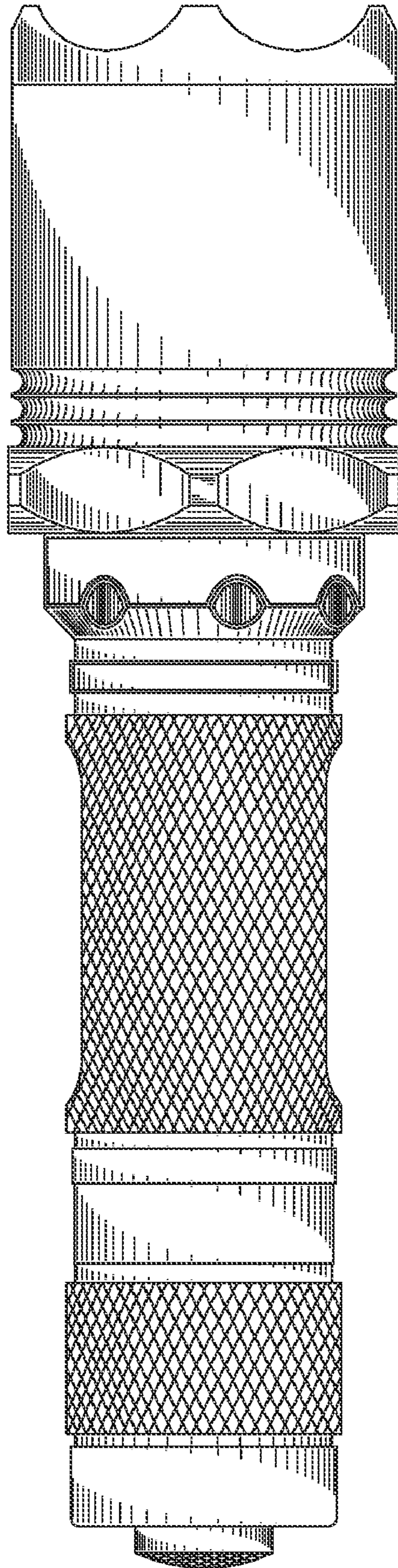


FIG. 5

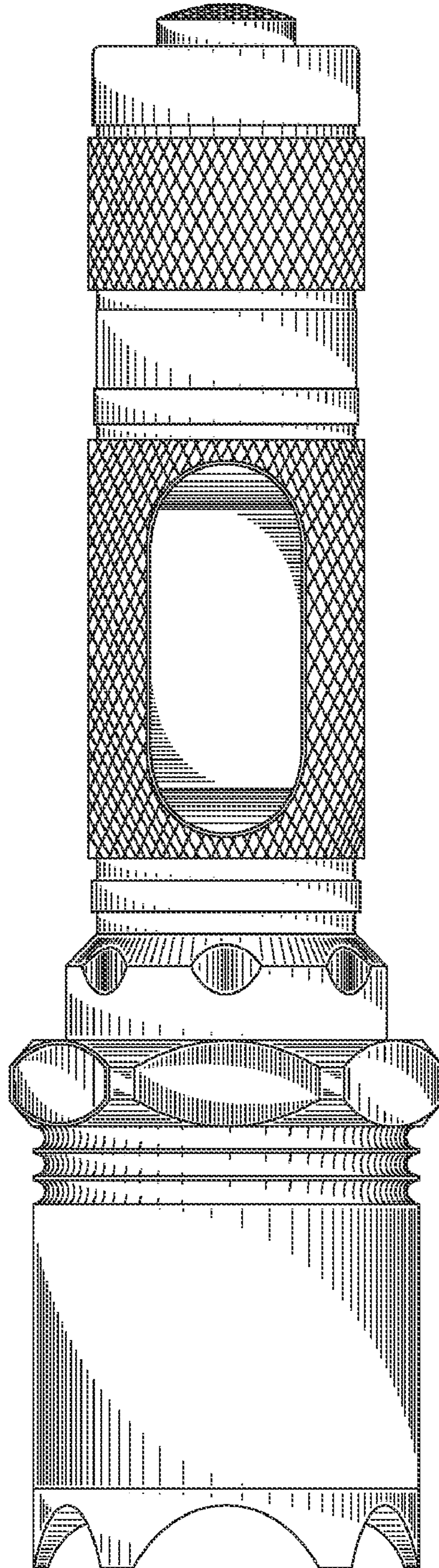


FIG. 6

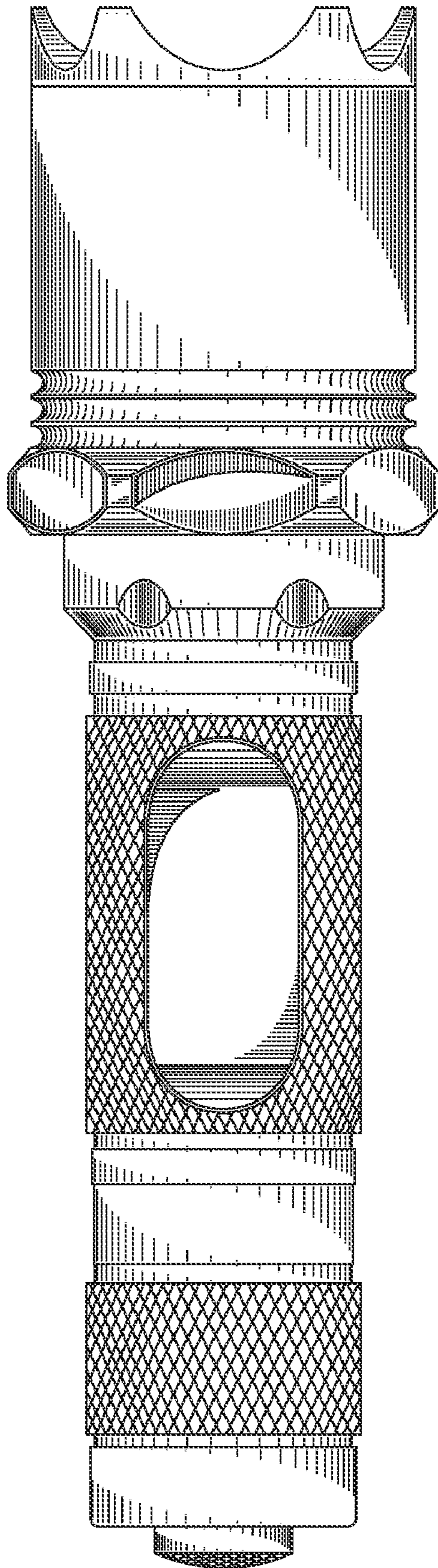


FIG. 7