



US00D586021S

(12) **United States Design Patent**
Hsu

(10) **Patent No.:** **US D586,021 S**
(45) **Date of Patent:** **** Feb. 3, 2009**

- (54) **VEHICLE FRONT LIGHT**
- (76) Inventor: **Hong Ming Hsu**, No 152, Sec 2, Funong St. East District, Tainan City (TW) 701
- (**) Term: **14 Years**
- (21) Appl. No.: **29/320,641**
- (22) Filed: **Jul. 1, 2008**
- (51) **LOC (9) Cl.** **26-06**
- (52) **U.S. Cl.** **D26/28**
- (58) **Field of Classification Search** D26/28-36;
362/459-468, 475-478, 485-487
See application file for complete search history.

(56) **References Cited**

U.S. PATENT DOCUMENTS

D560,291 S *	1/2008	Koyama	D26/28
D561,358 S *	2/2008	Tachibana	D26/28
D561,359 S *	2/2008	Hsu	D26/28
D563,576 S *	3/2008	Hanaoka	D26/28

* cited by examiner

Primary Examiner—Marcus A. Jackson
(74) *Attorney, Agent, or Firm*—Alexander Chen, Esq.

(57) **CLAIM**

The ornamental design for a vehicle front light, as shown and described.

DESCRIPTION

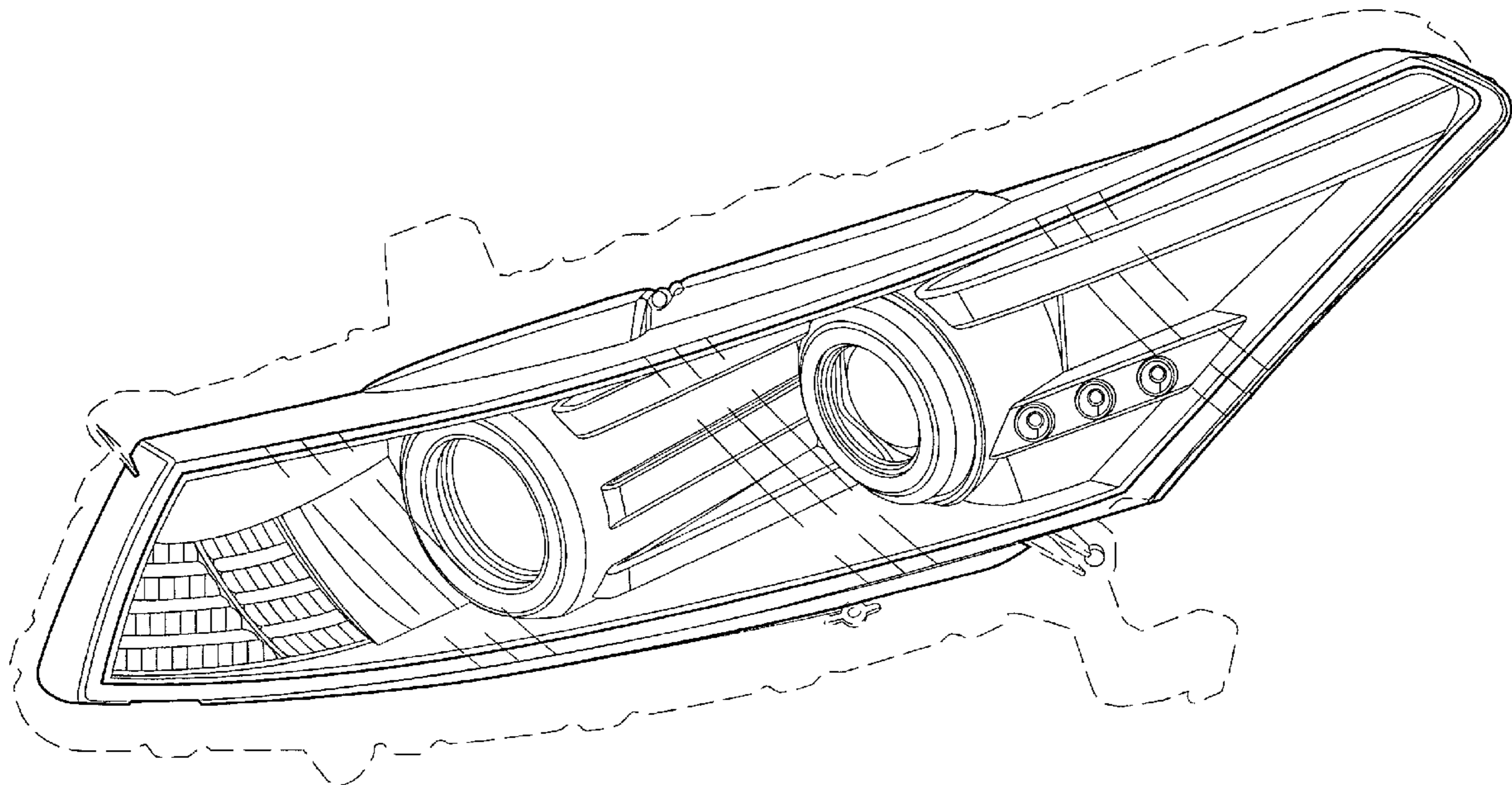
FIG. 1 is perspective view from the front right of a vehicle front light. The drawings and descriptions represent the left side embodiment. The design also contemplates a mirror symmetrical embodiment on the right side of the vehicle. The dash line included denotes environment and is not part of the claimed design

FIG. 2 is a front elevation view thereof;

FIG. 3 is a right elevation view thereof; and,

FIG. 4 is a top view thereof.

1 Claim, 4 Drawing Sheets



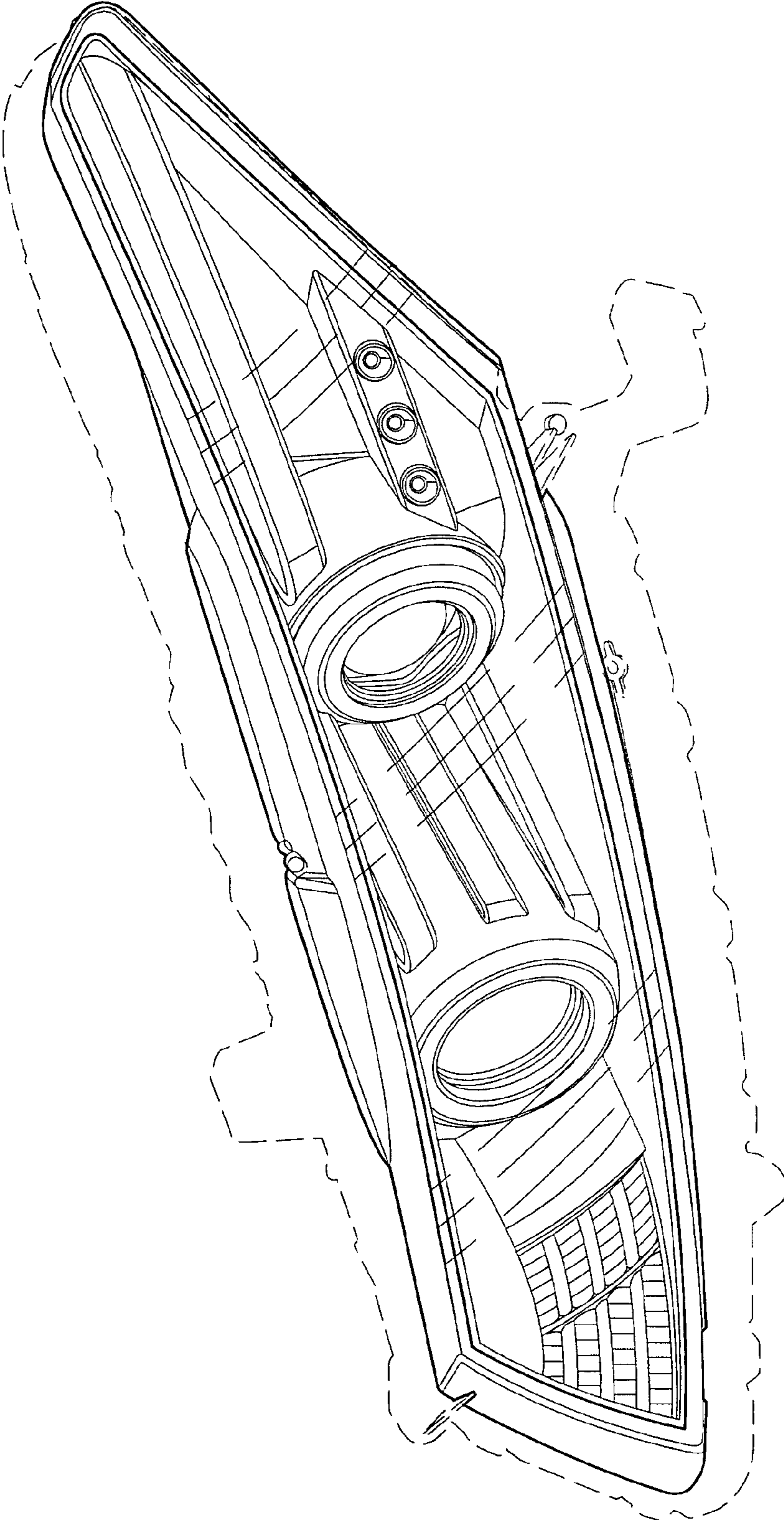


Fig. 1

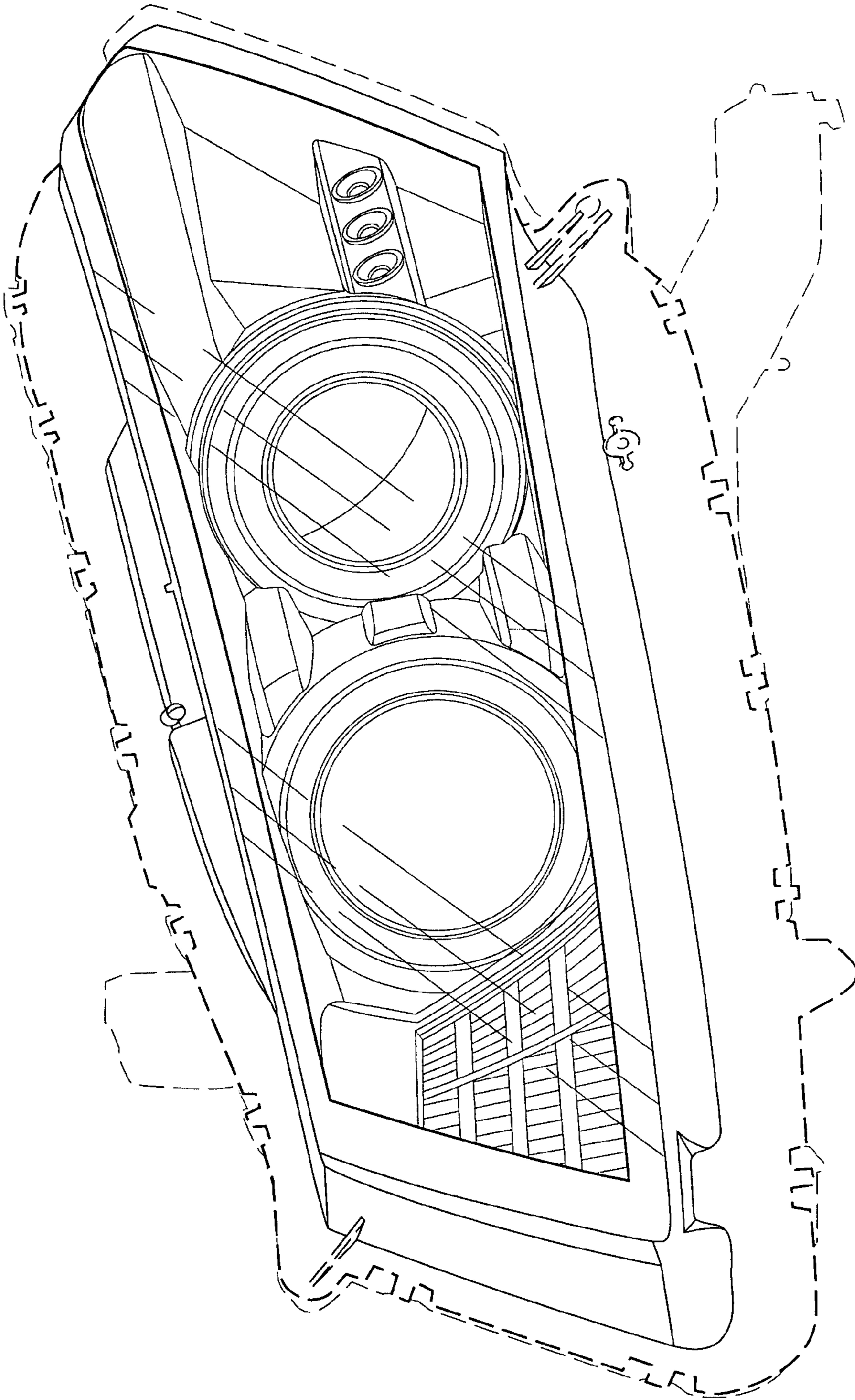


Fig. 2

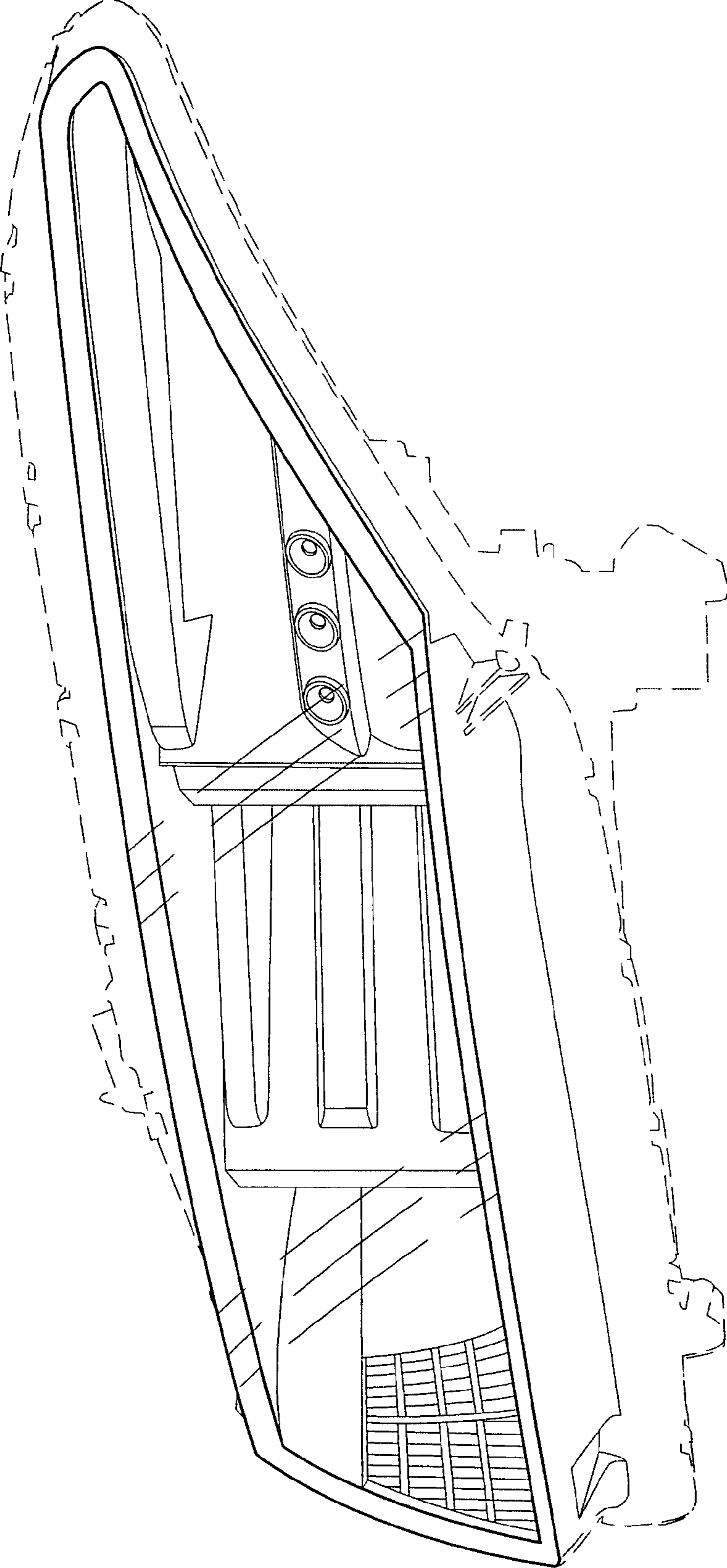


Fig. 3

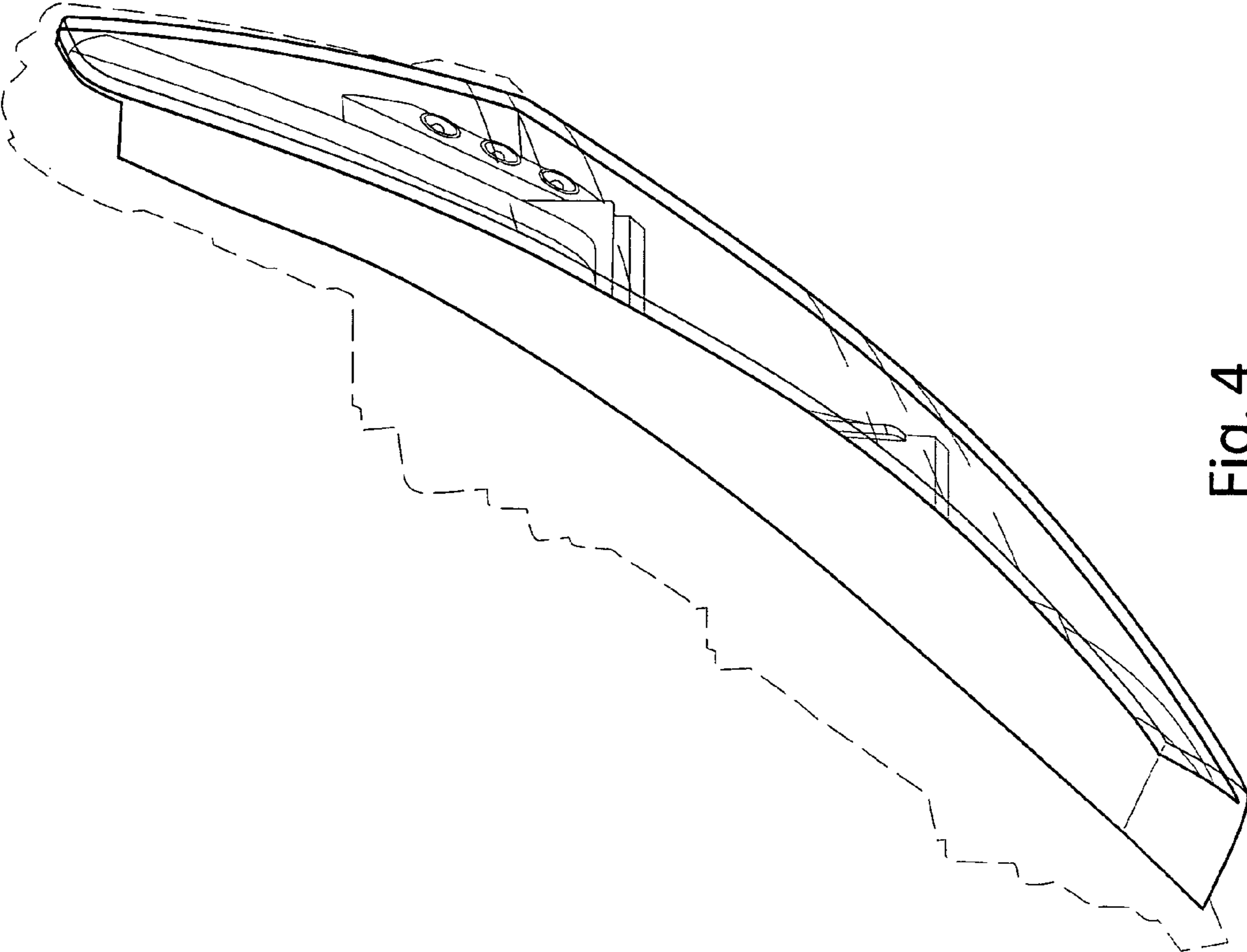


Fig. 4