



US00D586016S

(12) **United States Design Patent**  
**Hsu**

(10) **Patent No.:** **US D586,016 S**  
(45) **Date of Patent:** **\*\* Feb. 3, 2009**

(54) **VEHICLE REAR LIGHT**

(76) Inventor: **Hong Ming Hsu**, No 152, Sec 2, Funong St. East District, Tainan City (TW) 701

(\*\*) Term: **14 Years**

(21) Appl. No.: **29/320,635**

(22) Filed: **Jul. 1, 2008**

(51) **LOC (9) Cl.** ..... **26-06**

(52) **U.S. Cl.** ..... **D26/28**

(58) **Field of Classification Search** ..... D26/28-36;  
362/459-468, 475-478, 485-487  
See application file for complete search history.

(56) **References Cited**

**U.S. PATENT DOCUMENTS**

D542,445 S *	5/2007	Matsunami	.....	D26/28
D550,380 S *	9/2007	Lin	.....	D26/28
D562,477 S *	2/2008	Hsu	.....	D26/28
D570,015 S *	5/2008	Hsu	.....	D26/28

\* cited by examiner

*Primary Examiner*—Marcus A. Jackson

(74) *Attorney, Agent, or Firm*—Alexander Chen, Esq

(57) **CLAIM**

The ornamental design for a vehicle rear light, as shown and described.

**DESCRIPTION**

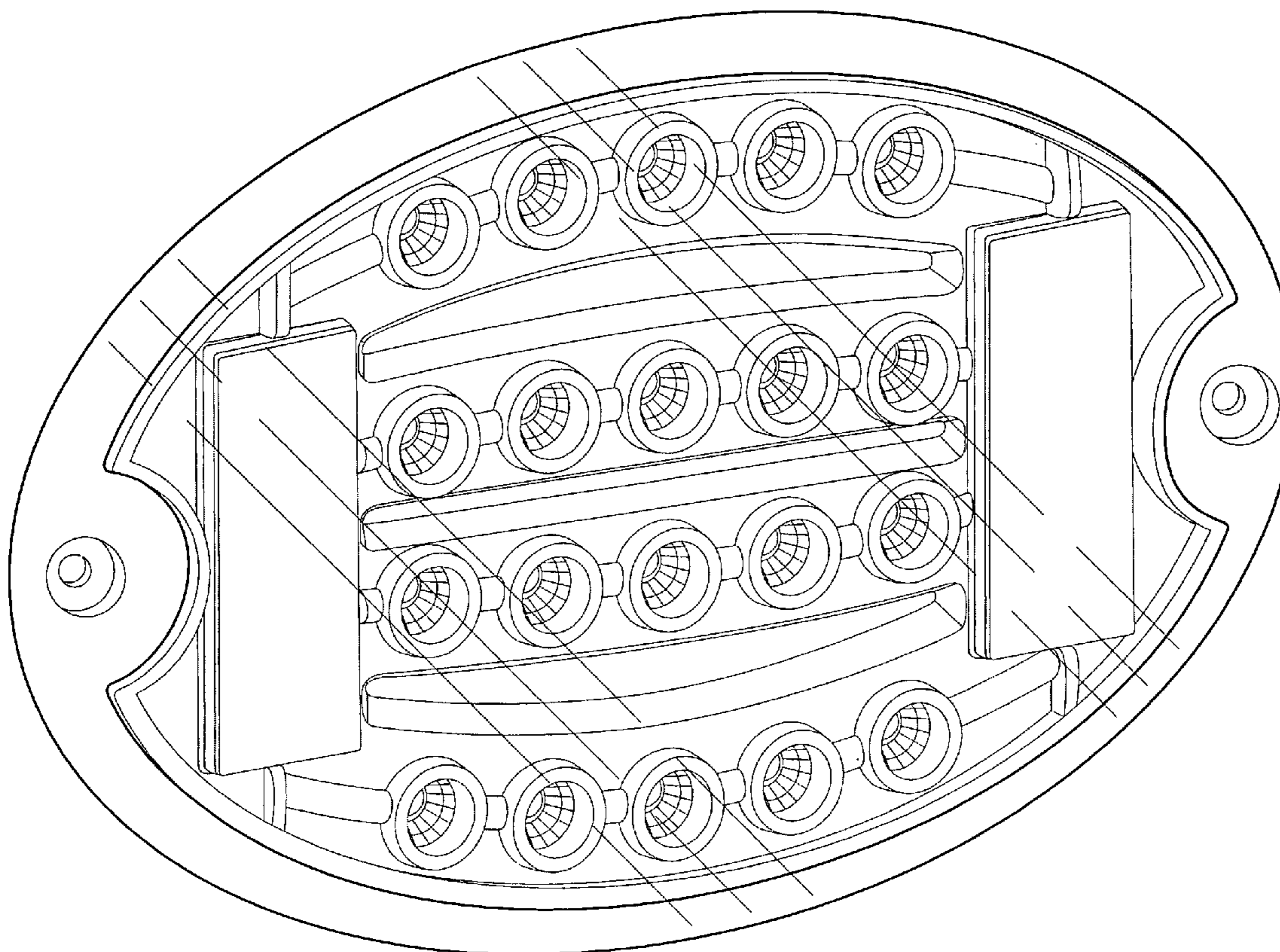
FIG. 1 is perspective view from the front left of an vehicle rear light. The drawings and descriptions represent the left side embodiment. The design also contemplates a mirror symmetrical embodiment on the right side of the vehicle. The dash line included denotes environment and is not part of the claimed design

FIG. 2 is a front elevation view thereof;

FIG. 3 is a left elevation view thereof; and,

FIG. 4 is a top view thereof.

**1 Claim, 4 Drawing Sheets**



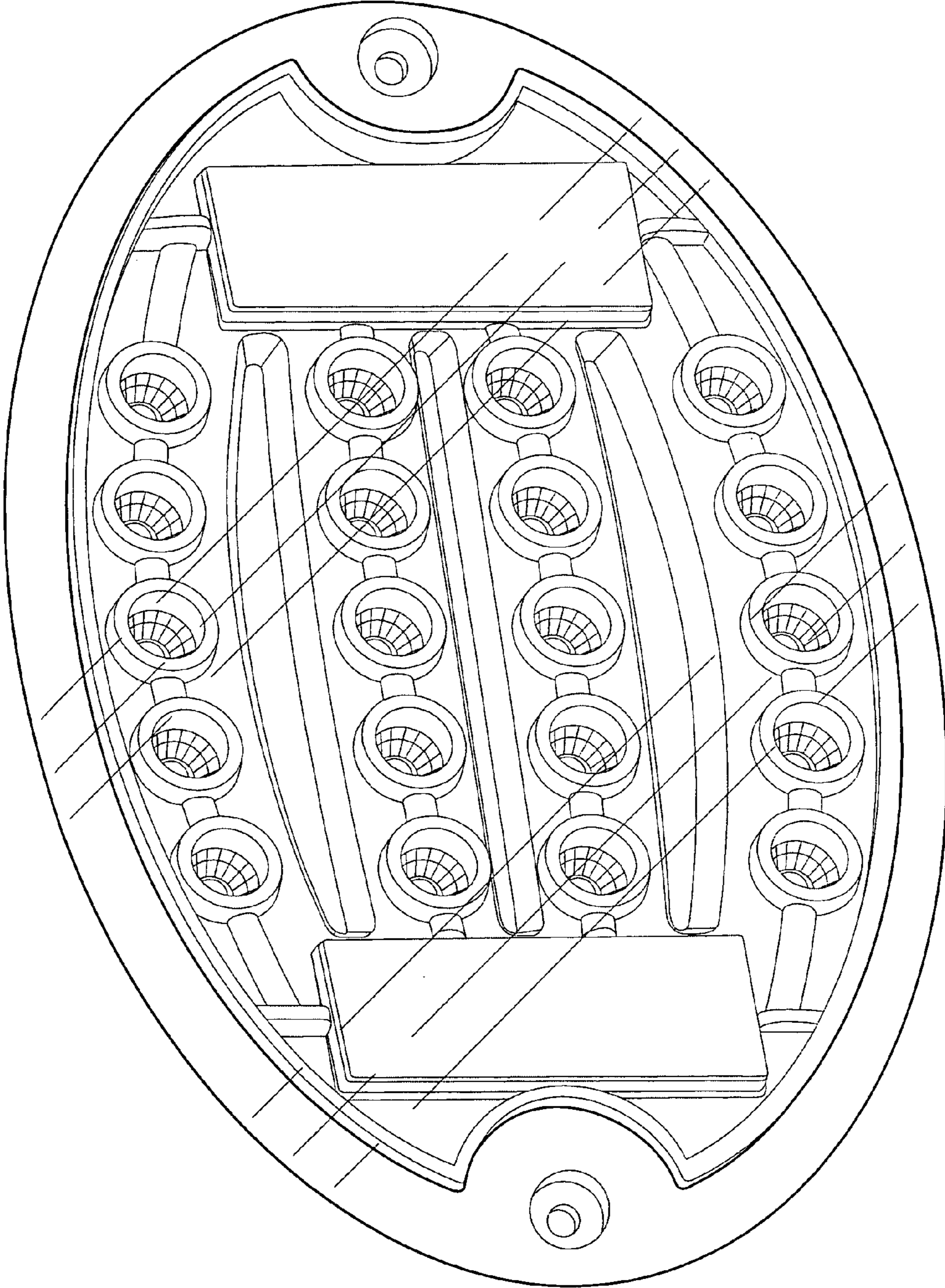


Fig. 1

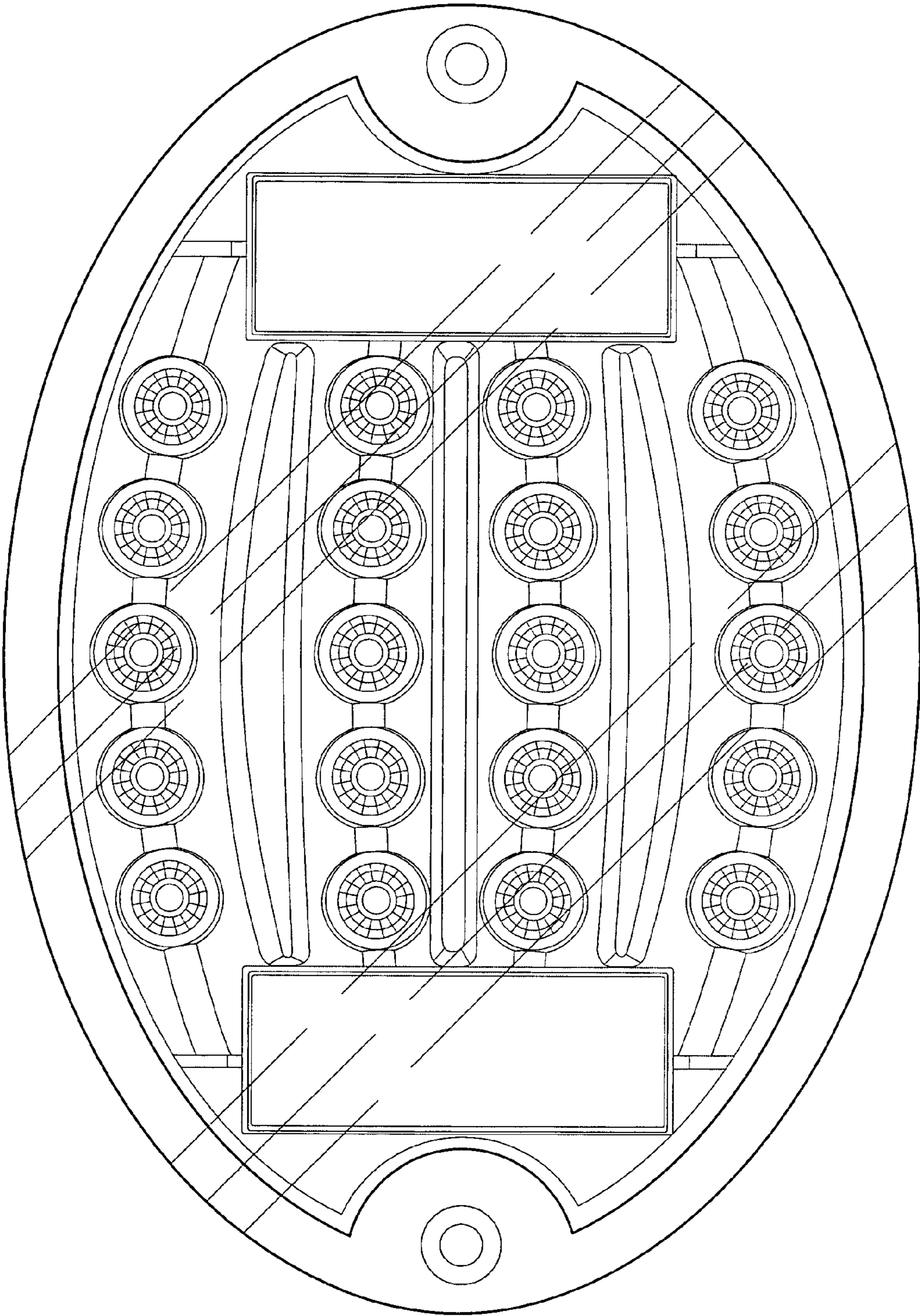


Fig. 2

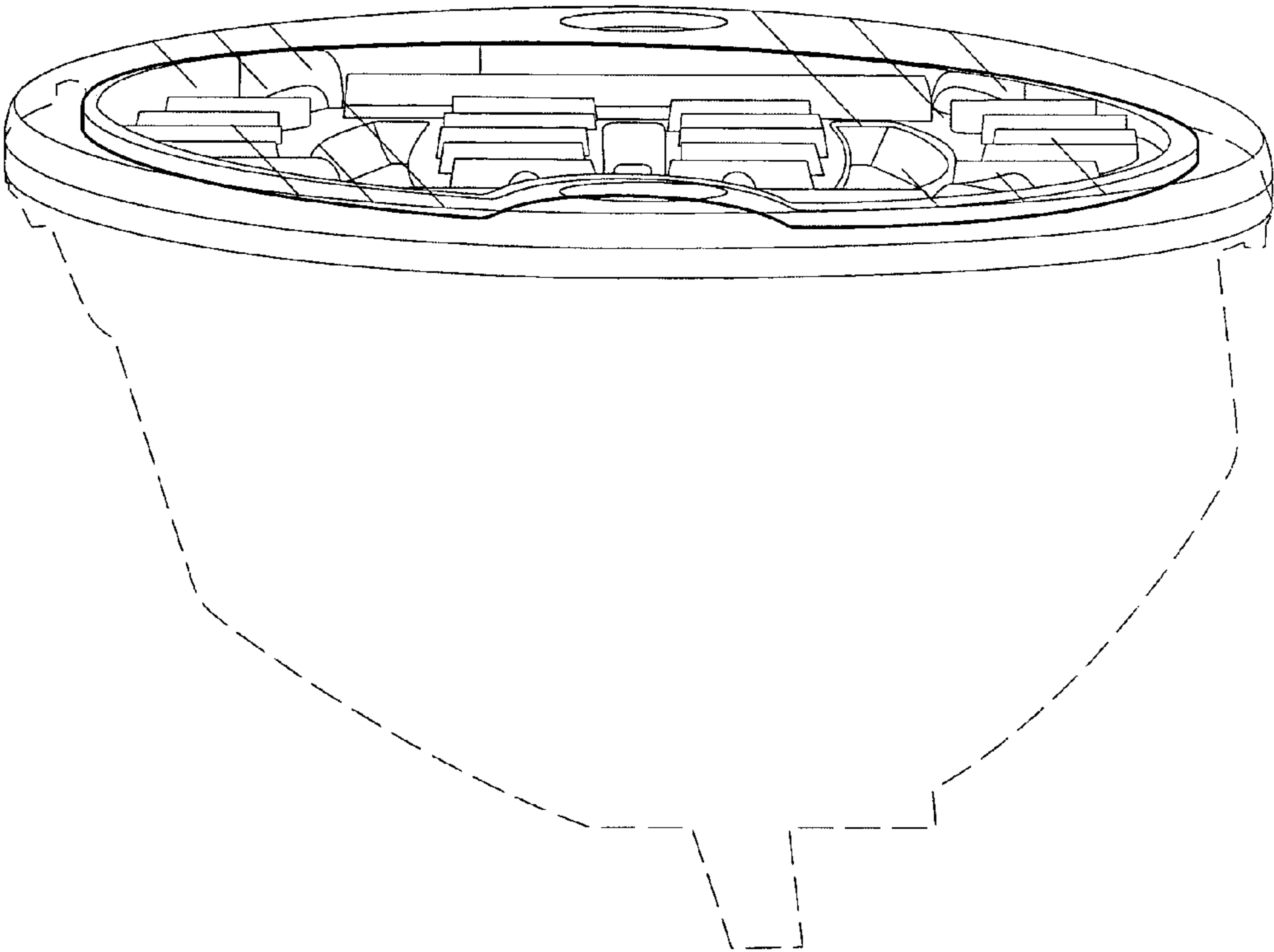


Fig. 3

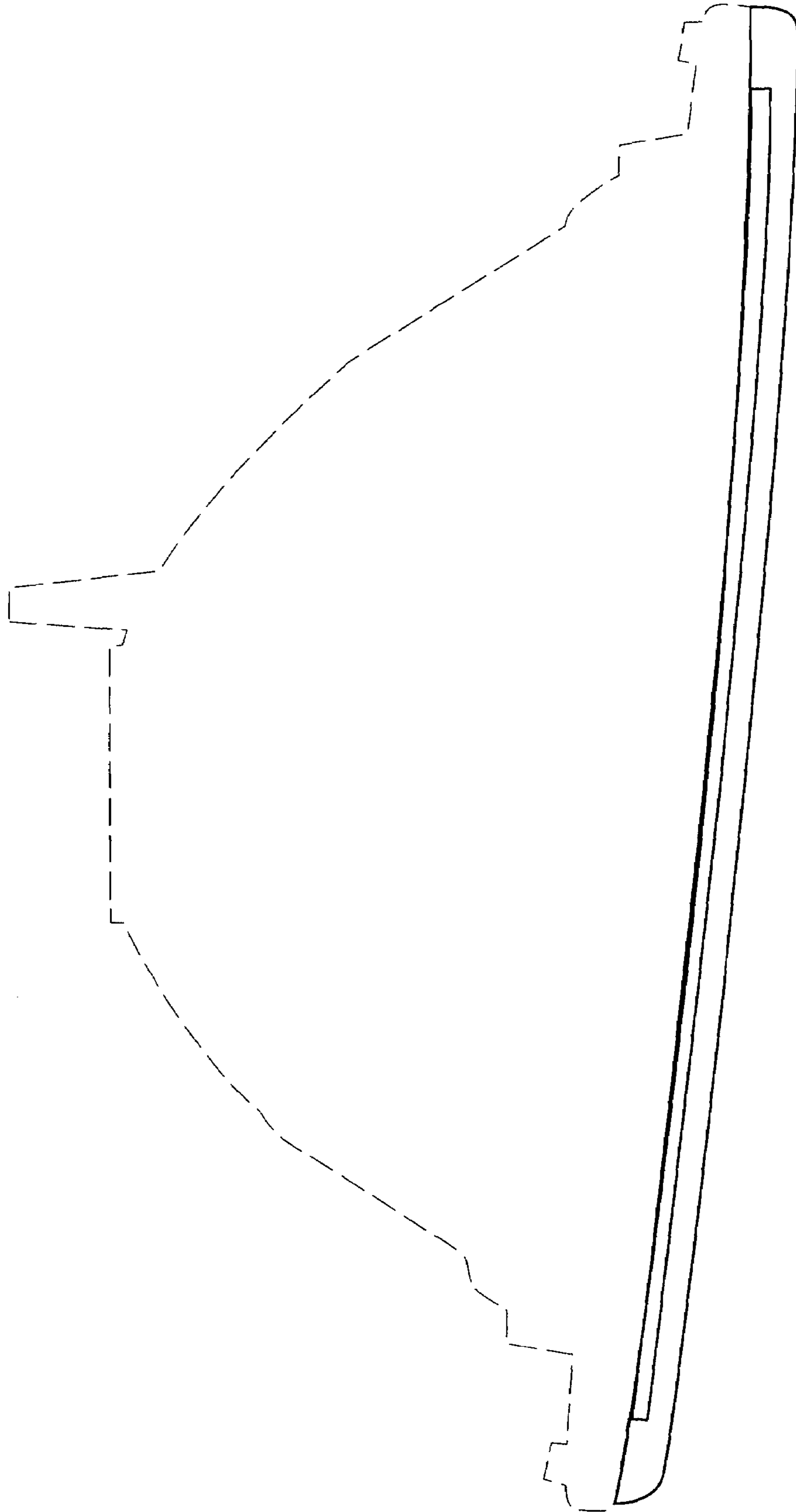


Fig. 4