



US00D586005S

(12) **United States Design Patent**  
**Schumaker et al.**

(10) **Patent No.:** **US D586,005 S**

(45) **Date of Patent:** **\*\* Feb. 3, 2009**

(54) **PAVER RESTRAINT**

(75) Inventors: **Stephen B. Schumaker**, Marietta, OH (US); **David Keeley**, Marietta, OH (US)

(73) Assignee: **Dimex, LLC**, Marietta, OH (US)

(\*\*) Term: **14 Years**

(21) Appl. No.: **29/297,742**

(22) Filed: **Nov. 16, 2007**

(51) **LOC (9) Cl.** ..... **25-01**

(52) **U.S. Cl.** ..... **D25/119; D25/164**

(58) **Field of Classification Search** ..... D25/164,  
D25/119; 404/7, 8; 47/33; 52/393, 396.04,  
52/396.08, 396.09, 396.1, 402, 404.2, 102;  
4/506

See application file for complete search history.

(56) **References Cited**

U.S. PATENT DOCUMENTS

268,441	A	12/1882	Tunica	
2,163,613	A	6/1939	Manofsky	
2,193,425	A *	3/1940	Lake	47/33
D130,420	S	11/1941	Schlatter	
3,314,193	A	4/1967	Chancellor	
4,349,596	A *	9/1982	Hendrix	428/83
4,744,194	A	5/1988	Yasuyoshi	
4,824,068	A	4/1989	Ferland	
D329,709	S	9/1992	Strobl, Jr.	
5,157,867	A *	10/1992	Fritch	47/33
5,212,917	A	5/1993	Kurtz et al.	
5,240,343	A	8/1993	Strobl, Jr.	
D339,199	S	9/1993	Rynberk	
5,375,941	A	12/1994	Strobl, Jr.	
5,379,546	A	1/1995	Popp	
5,421,118	A	6/1995	Bauer	
D363,788	S	10/1995	Caley	
D368,969	S	4/1996	Davies	
D372,547	S	8/1996	Sjodin	
D373,205	S	8/1996	Caley	
D378,857	S	4/1997	Hale	

5,640,801	A	6/1997	Rynberk	
D393,164	S	4/1998	Russell et al.	
5,771,643	A *	6/1998	Parker	52/169.5
D400,985	S	11/1998	Risi	
5,930,947	A	8/1999	Eckhoff	
6,030,144	A	2/2000	Cannella	
6,038,811	A	3/2000	Conway	
D424,714	S	5/2000	Hale	
6,085,458	A	7/2000	Gau	
6,099,201	A	8/2000	Abbrancati	
6,324,783	B1	12/2001	McIntyre et al.	
D453,578	S	2/2002	Olson	
6,379,078	B1	4/2002	Zwier	
6,485,226	B1 *	11/2002	Harger	404/7
D467,015	S	12/2002	O'Brien	
6,568,126	B2	5/2003	Womack	
D541,952	S *	5/2007	Keeley et al.	D25/119
D543,286	S	5/2007	Keeley et al.	
2002/0139045	A1	10/2002	Womack	
2003/0188478	A1	10/2003	Womack	

\* cited by examiner

*Primary Examiner*—Doris Clark

(74) *Attorney, Agent, or Firm*—Wood, Herron & Evans, LLP

(57) **CLAIM**

The ornamental design for a paver restraint, as shown and described.

**DESCRIPTION**

FIG. 1 is a perspective view of a paver restraint showing our new design and broken in the center thereof to show indeterminate length;

FIG. 2 is a top plan view thereof;

FIG. 3 is a bottom plan view thereof;

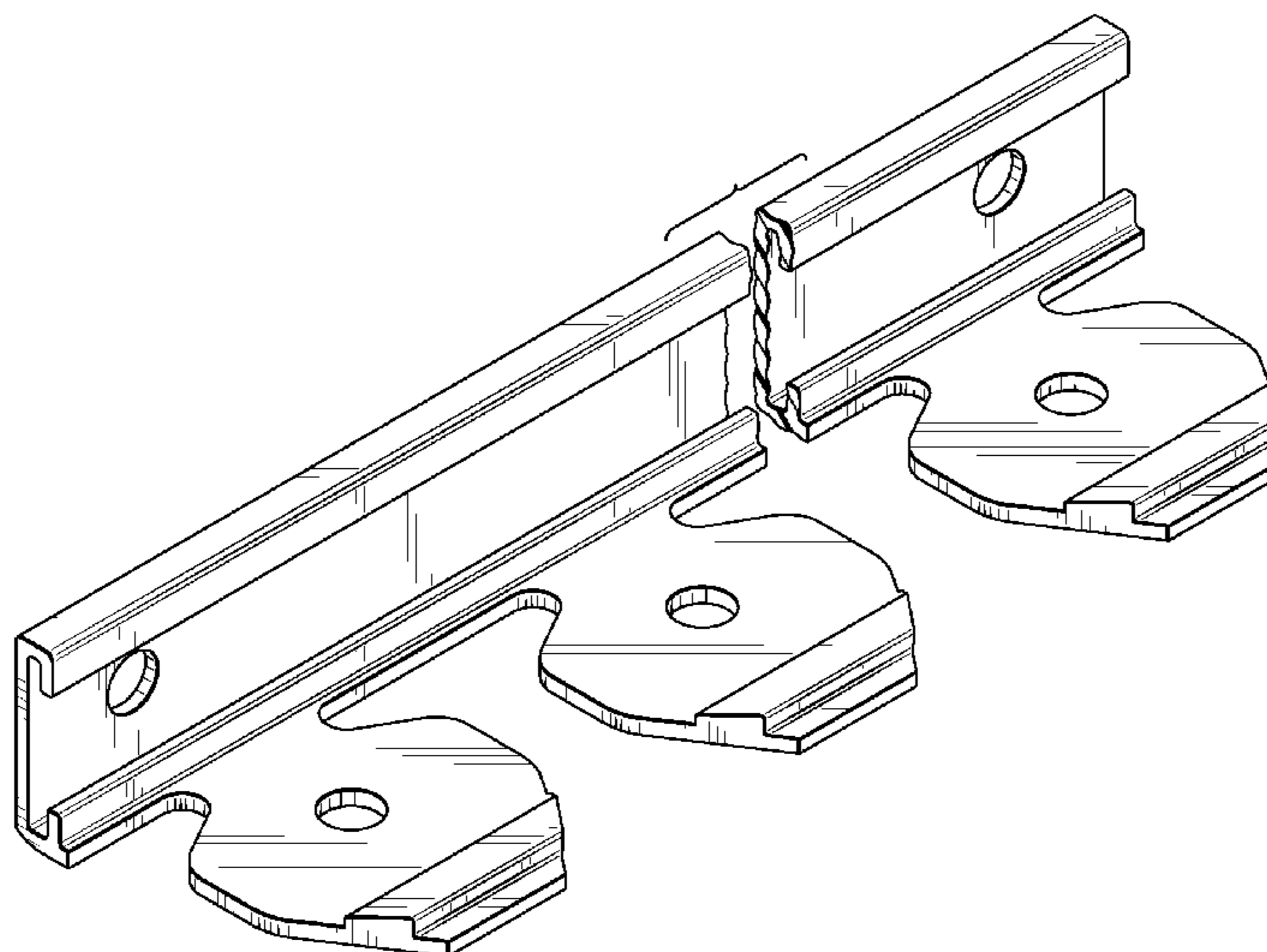
FIG. 4 is a side elevational view thereof;

FIG. 5 is a front elevational view thereof;

FIG. 6 is a rear elevational view thereof; and,

FIG. 7 is a top plan view shown in a “U” configuration.

**1 Claim, 2 Drawing Sheets**



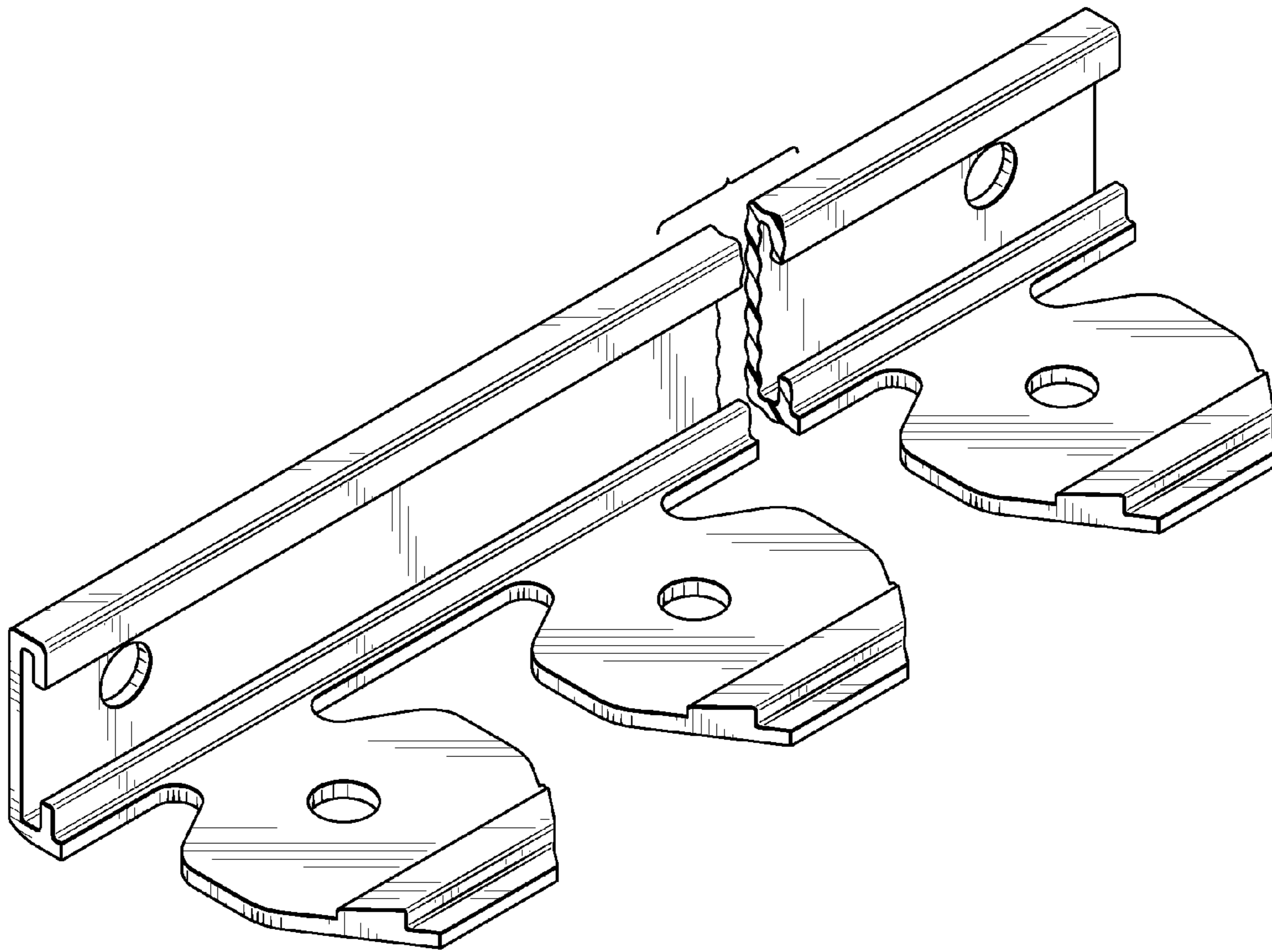


FIG. 1

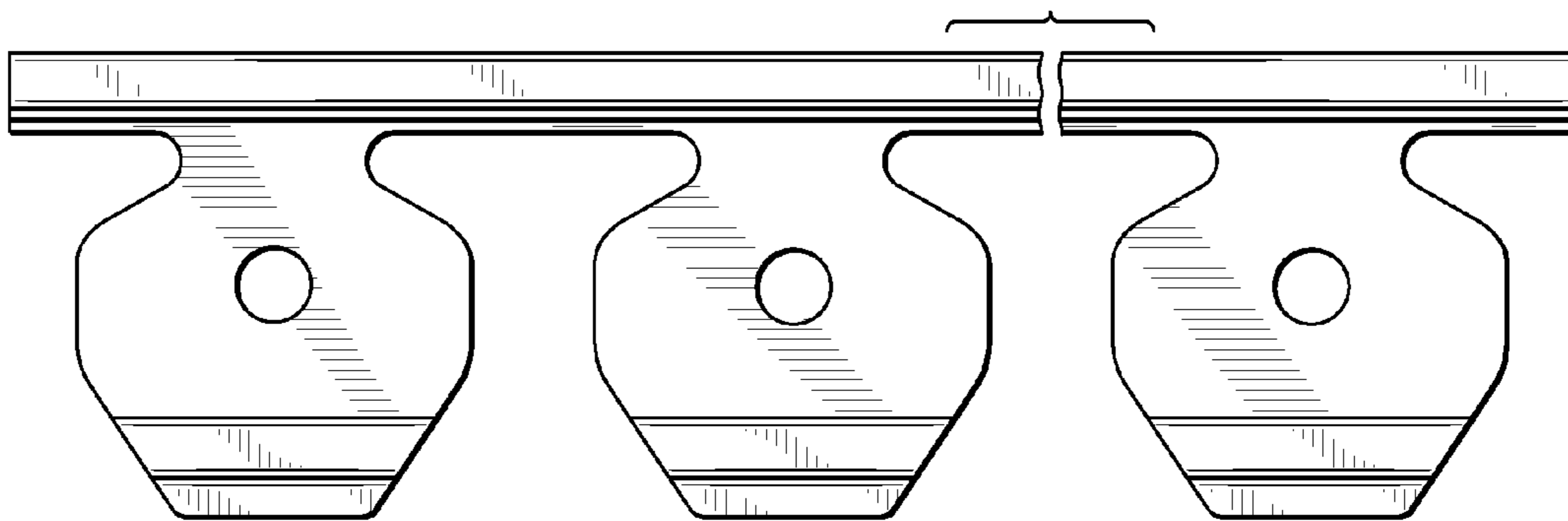


FIG. 2

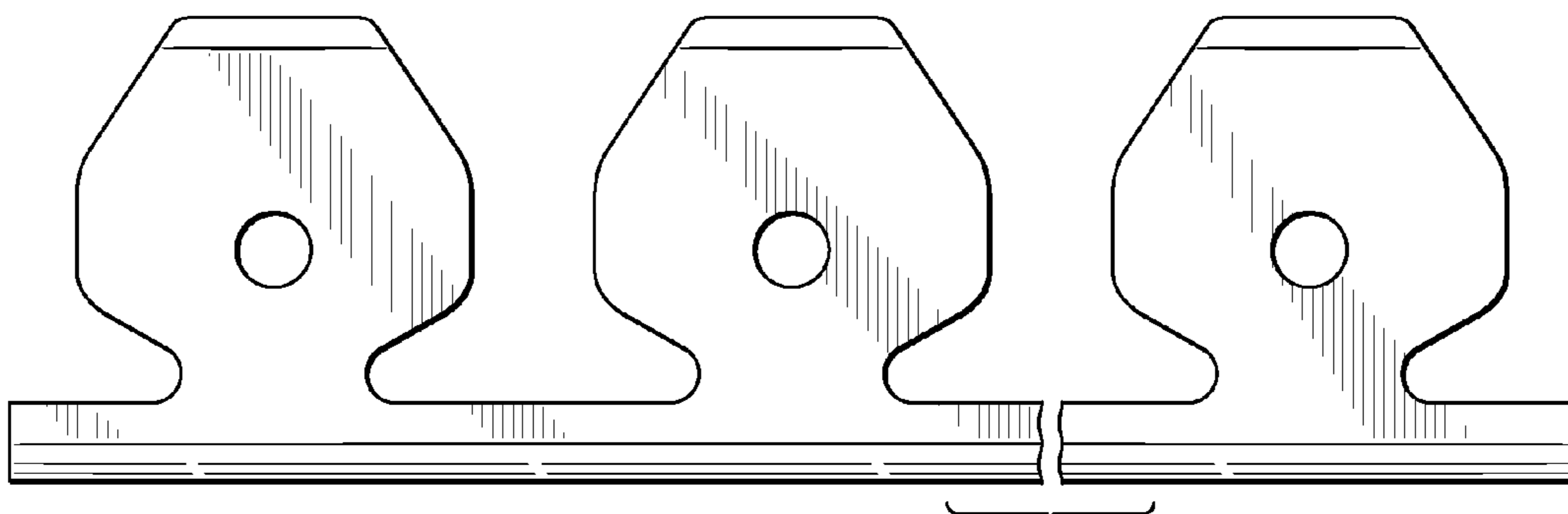


FIG. 3

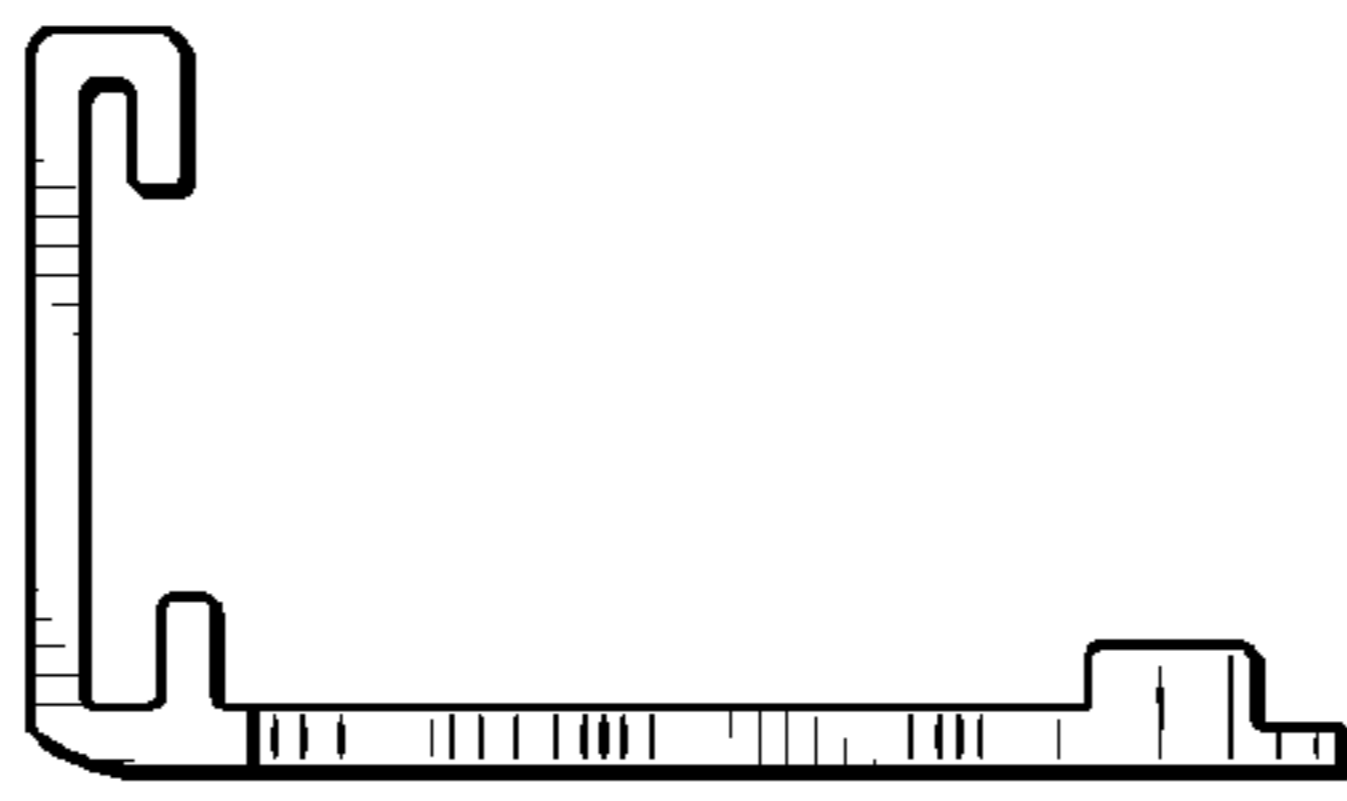


FIG. 4

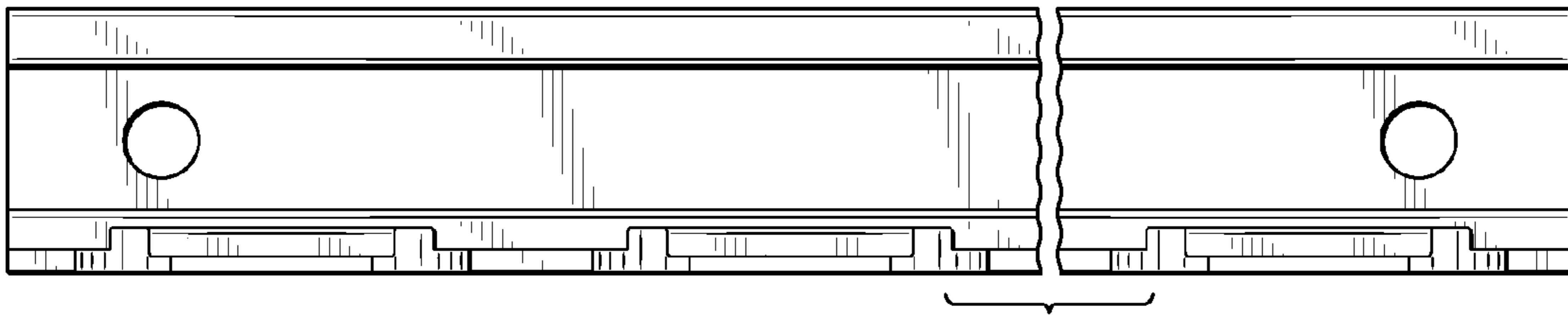


FIG. 5

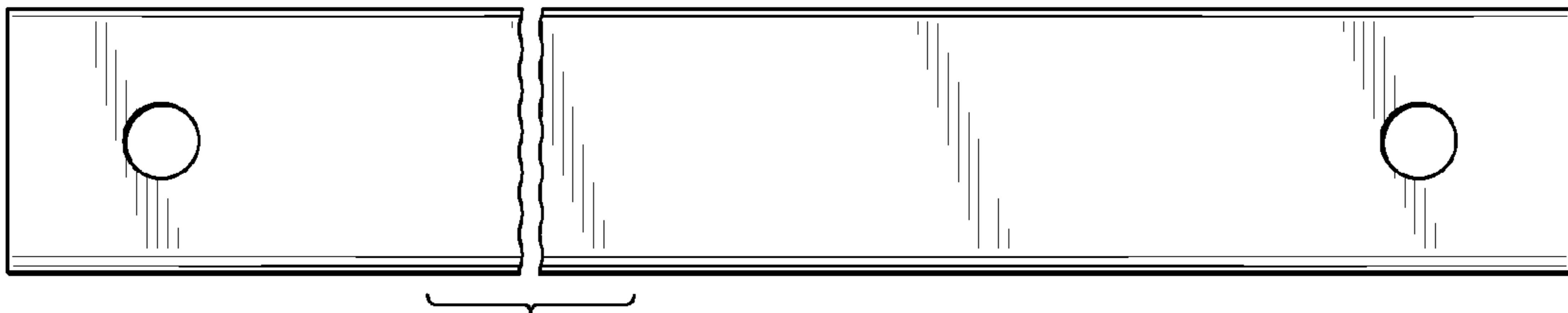


FIG. 6

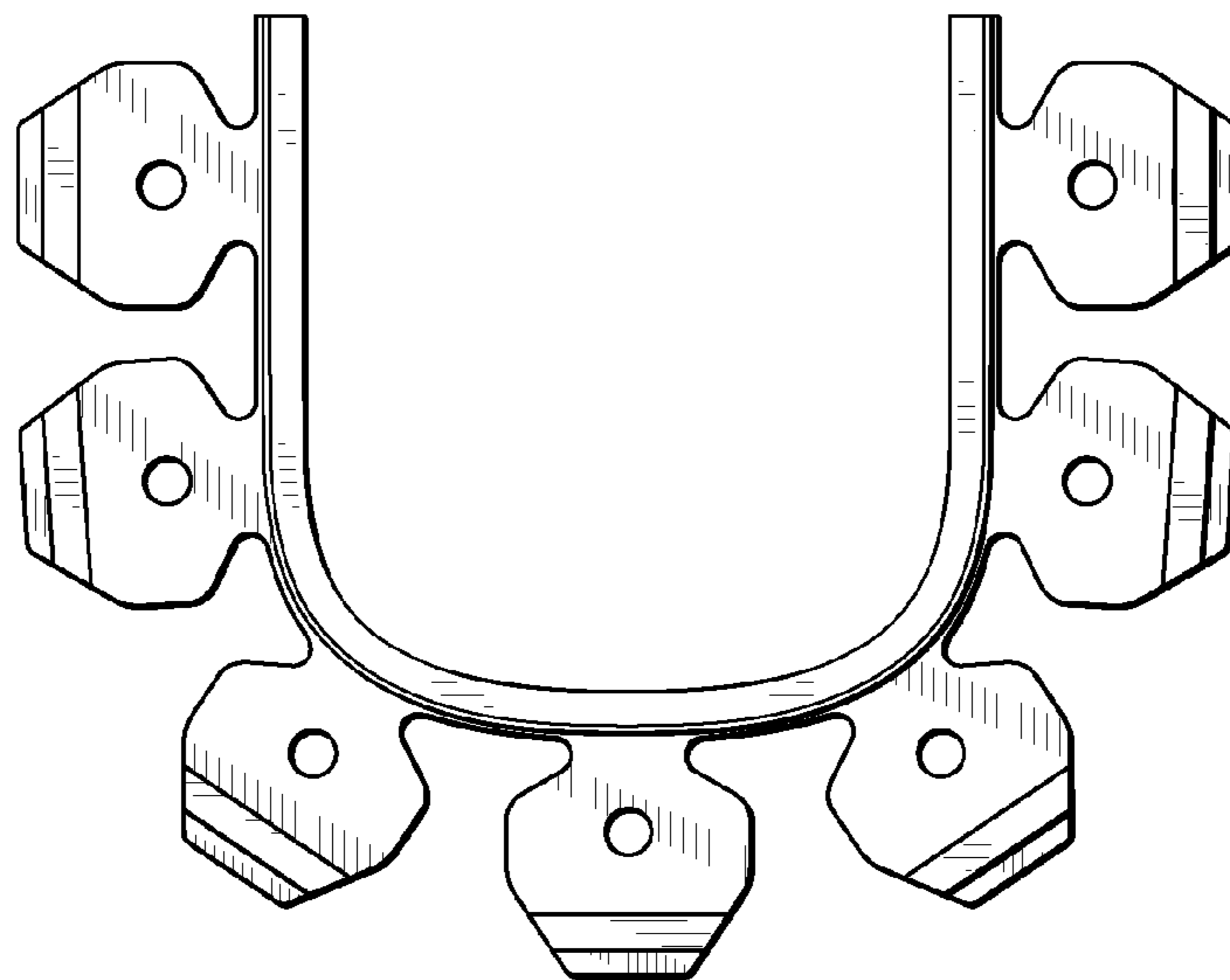


FIG. 7