



US00D586001S

(12) **United States Design Patent**
Petzl

(10) **Patent No.:** **US D586,001 S**

(45) **Date of Patent:** **** Feb. 3, 2009**

(54) **CLIMBING APPARATUS**

6,041,891 A * 3/2000 Fullam et al. 182/134

(75) Inventor: **Paul Petzl**, Barraux (FR)

* cited by examiner

(73) Assignee: **Zedel**, Crolles (FR)

Primary Examiner—Doris Clark

(74) *Attorney, Agent, or Firm*—Oliff & Berridge, PLC

(**) Term: **14 Years**

(57) **CLAIM**

(21) Appl. No.: **29/290,111**

The ornamental design for a climbing apparatus, as shown and described.

(22) Filed: **Oct. 23, 2007**

(30) **Foreign Application Priority Data**

DESCRIPTION

Apr. 23, 2007 (EM) 000715966-0001

FIG. 1 is a perspective view of a climbing apparatus;

(51) **LOC (9) Cl.** **25-04**

FIG. 2 is a front view thereof;

(52) **U.S. Cl.** **D25/69**

FIG. 3 is a top view thereof;

(58) **Field of Classification Search** D25/69;
182/221, 134

FIG. 4 is a side view thereof, the opposite side view being a mirror image;

See application file for complete search history.

FIG. 5 is a rear view thereof; and,

FIG. 6 is a bottom view thereof.

(56) **References Cited**

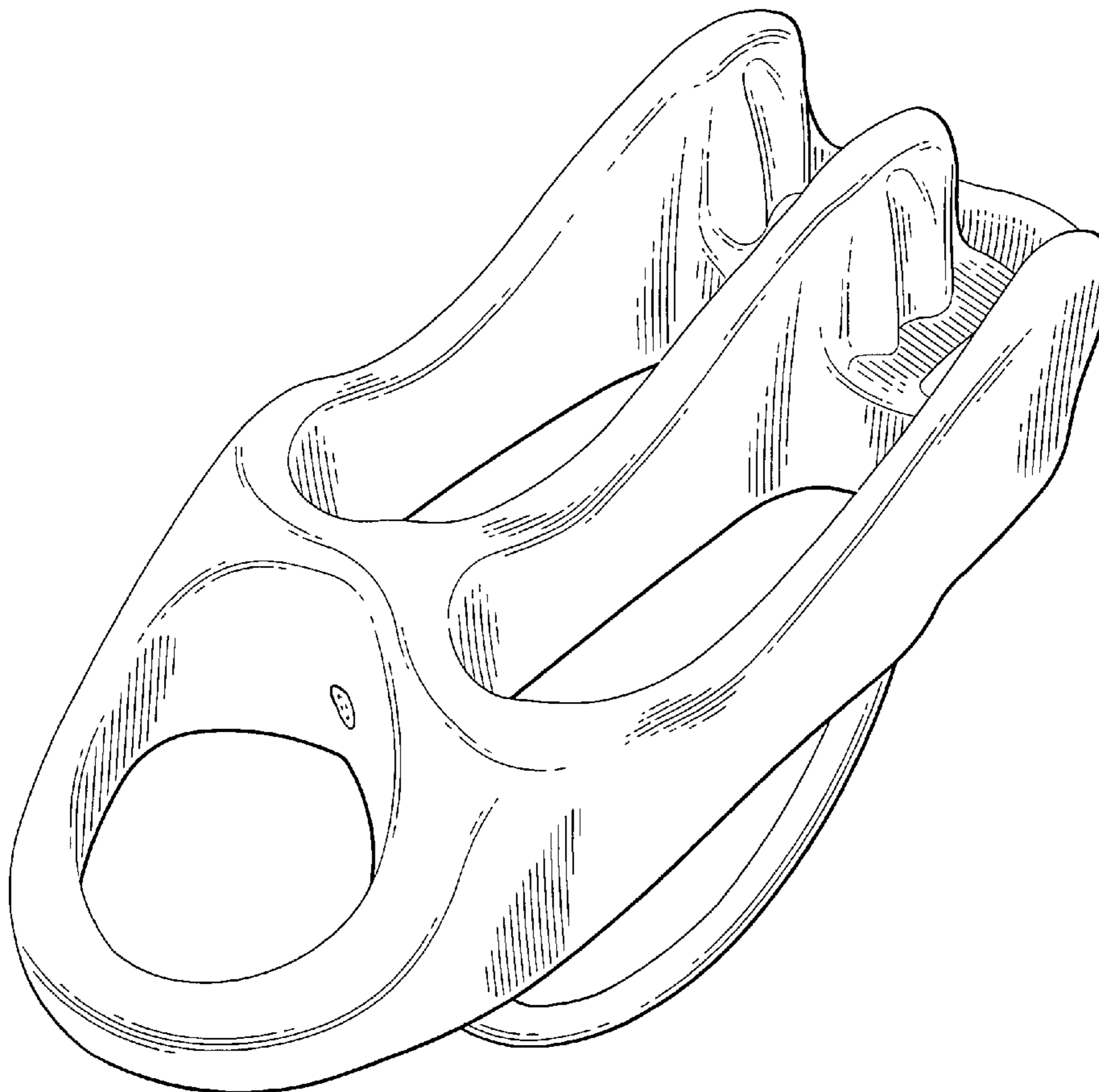
The broken lines depict environmental subject matter only and form no part of the claimed design.

U.S. PATENT DOCUMENTS

4,512,042 A * 4/1985 Striegel et al. 4/496

D406,906 S * 3/1999 Kinoshita D25/69

1 Claim, 6 Drawing Sheets



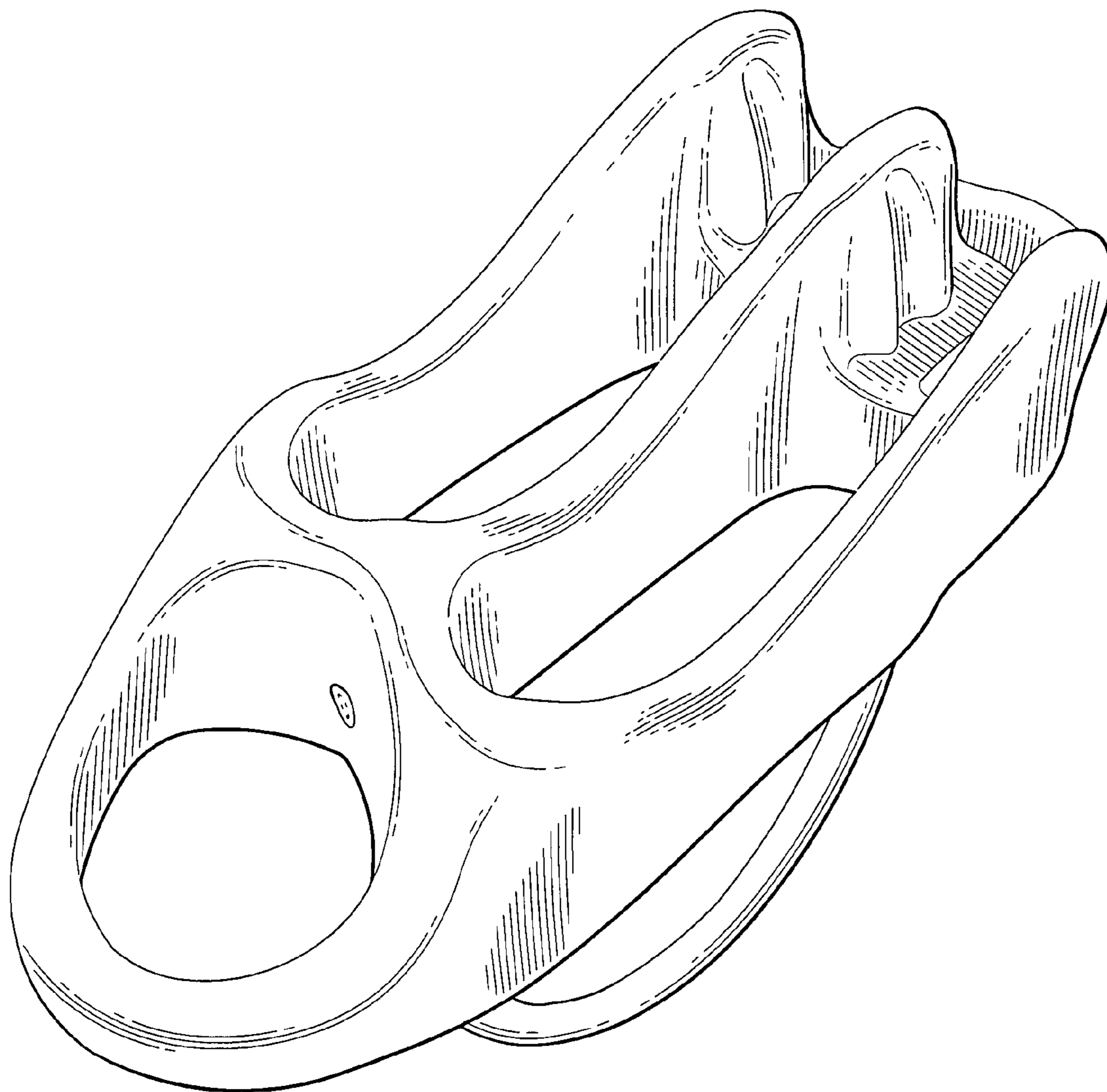


FIG. 1

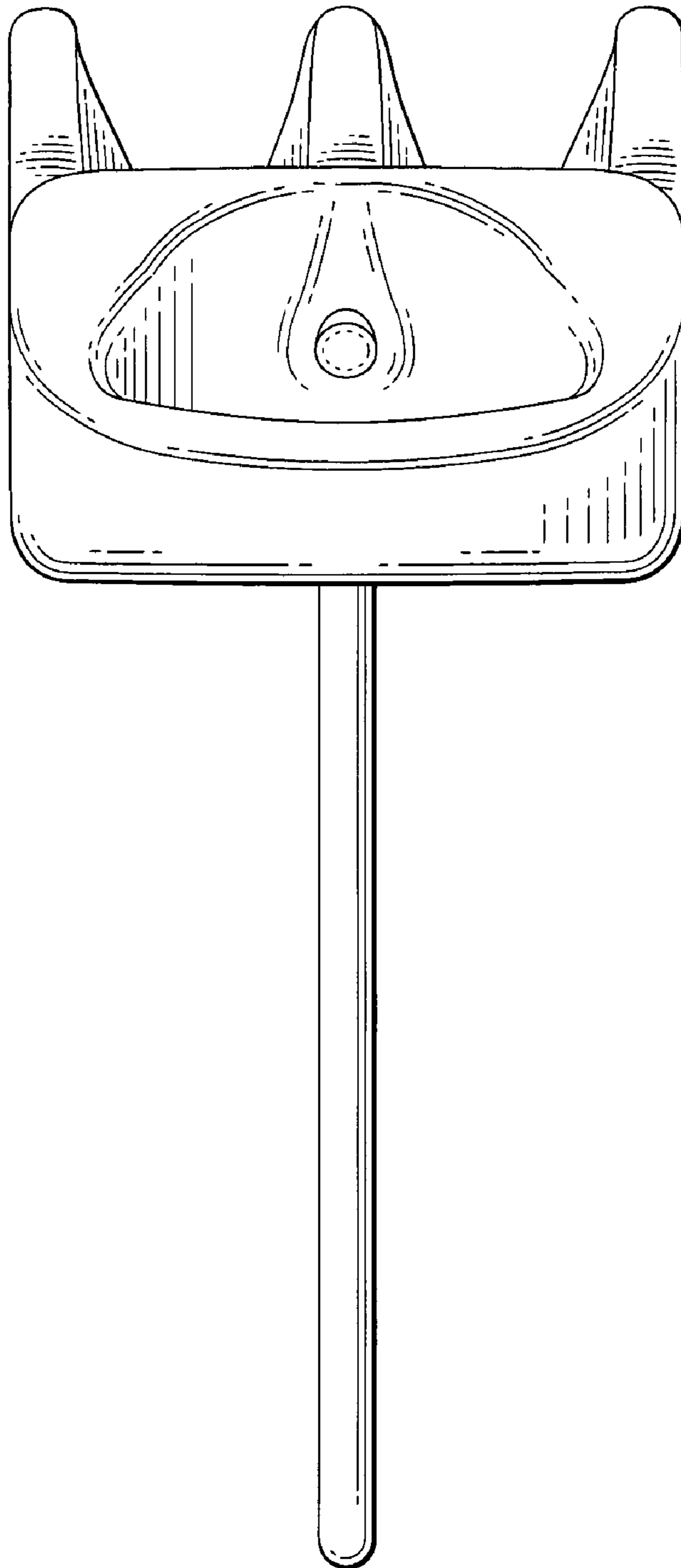


FIG. 2

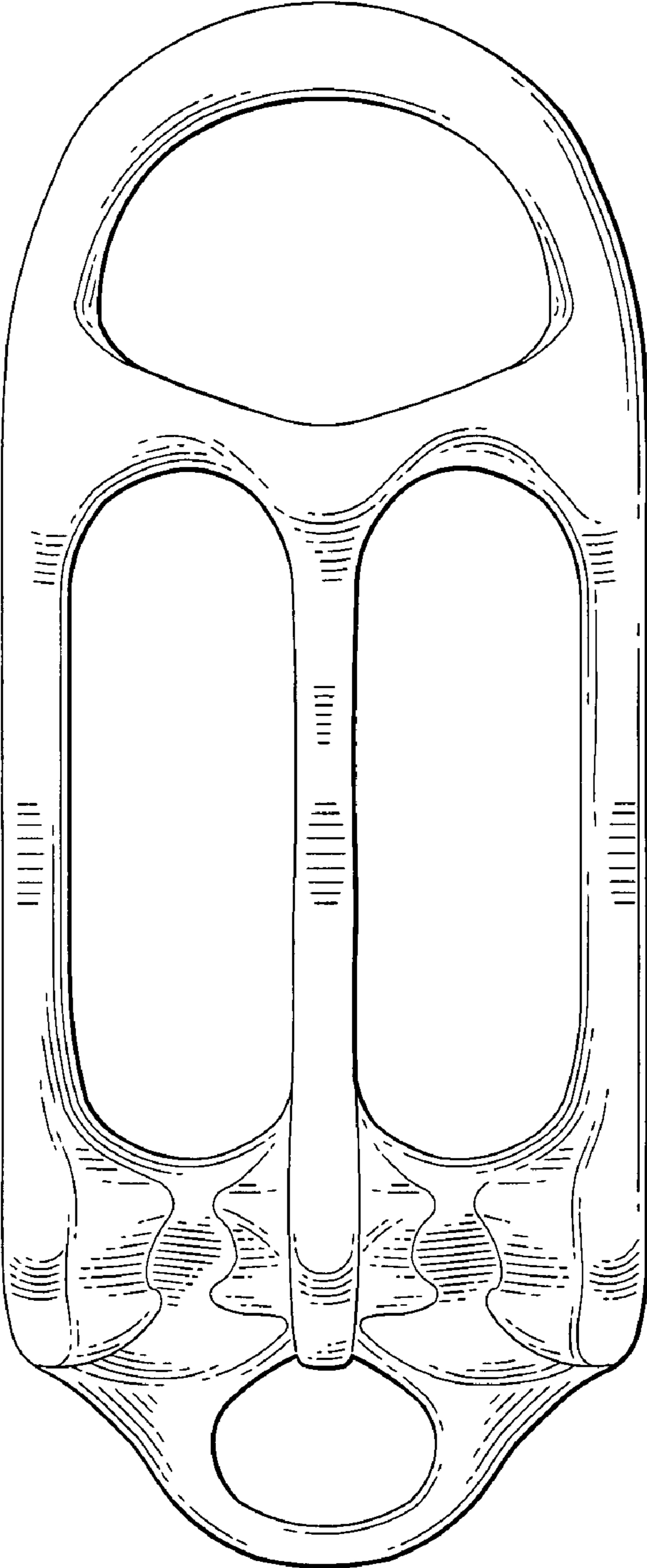


FIG. 3

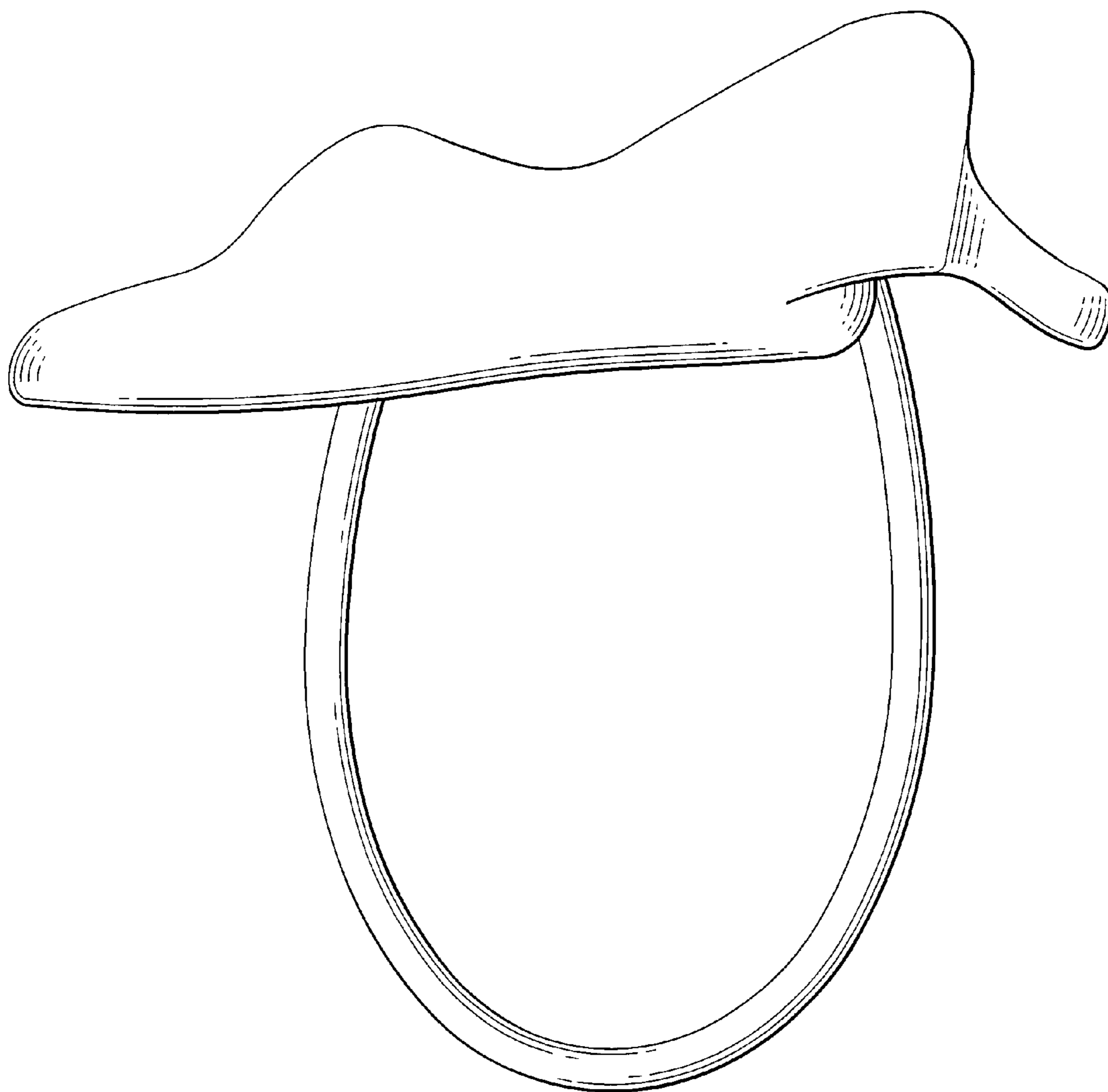


FIG. 4

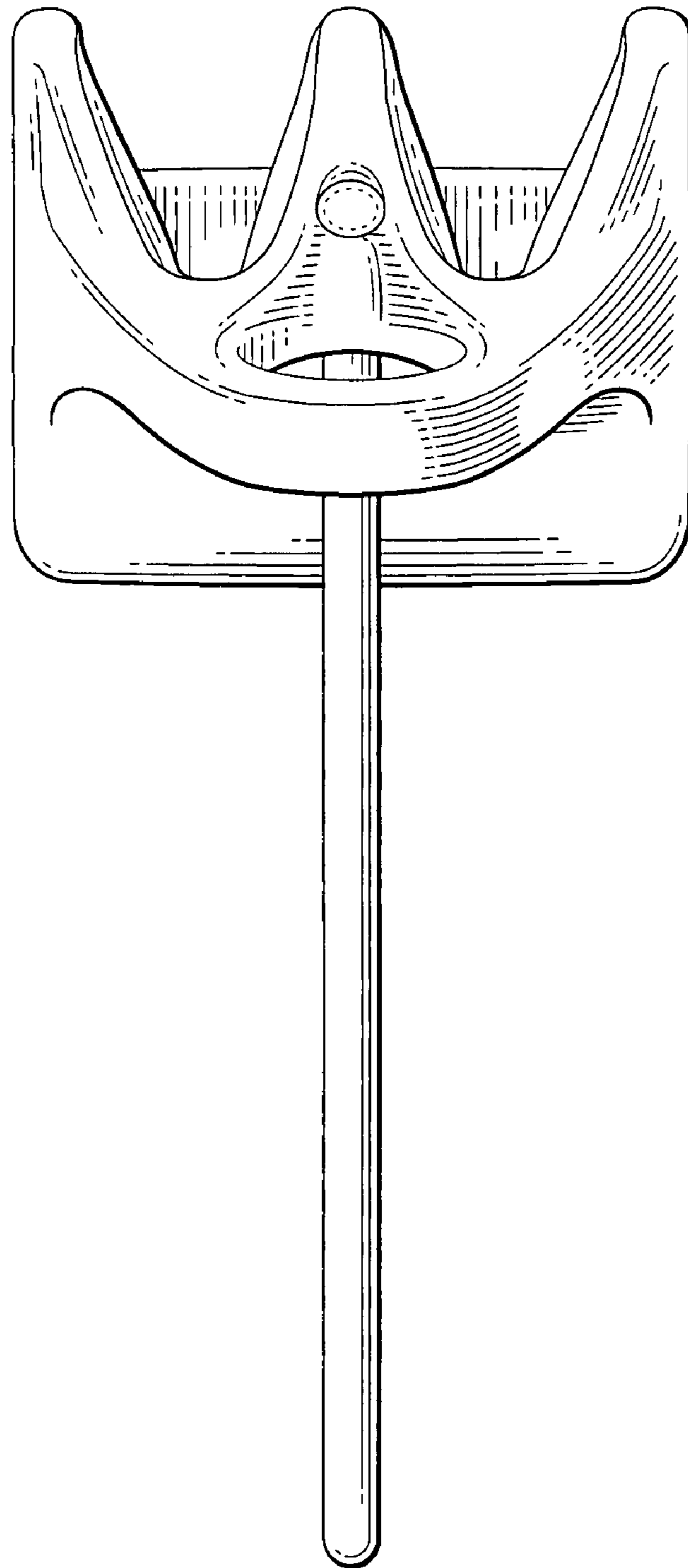


FIG. 5

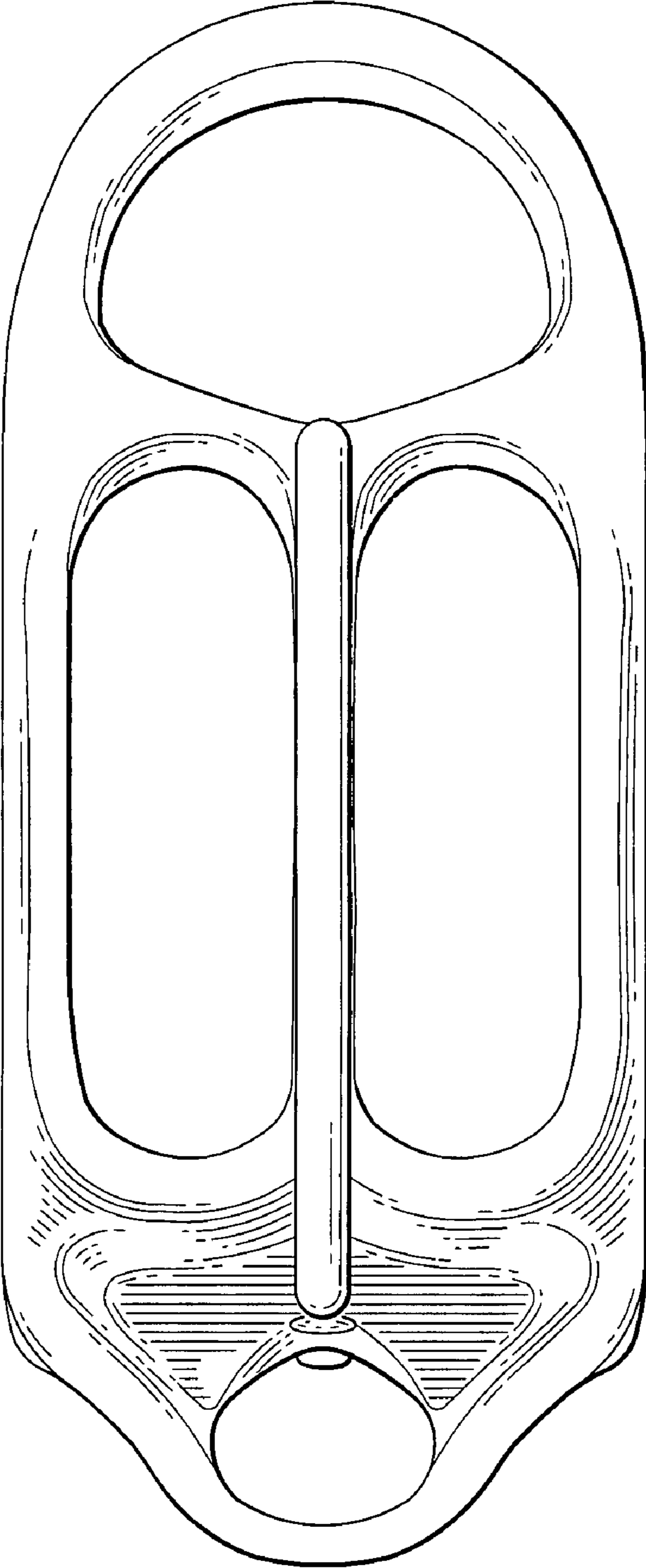


FIG. 6