



US00D585998S

(12) **United States Design Patent**
Anderson

(10) **Patent No.:** **US D585,998 S**

(45) **Date of Patent:** **** Feb. 3, 2009**

(54) **CULTURE SWAB**

(76) Inventor: **Mark L. Anderson**, 303 S. McKay Ave.,
Spring Valley, WI (US) 54767-0039

(**) Term: **14 Years**

(21) Appl. No.: **29/263,602**

(22) Filed: **Jul. 26, 2006**

(51) **LOC (9) Cl.** **24-01**

(52) **U.S. Cl.** **D24/216**

(58) **Field of Classification Search** D24/216-230,
D24/108, 119, 121; 422/64, 102, 56, 58,
422/61, 63, 99, 104; 604/1-3; 600/569,
600/572

See application file for complete search history.

(56) **References Cited**

U.S. PATENT DOCUMENTS

2,546,761	A *	3/1951	Loftus	D24/119
4,600,008	A *	7/1986	Schmidt	600/569
D286,438	S *	10/1986	Lichtman et al.	D24/119
4,707,450	A *	11/1987	Nason	600/572
4,770,853	A *	9/1988	Bernstein	422/58
D302,338	S *	7/1989	Philippi	D24/119
4,978,504	A *	12/1990	Nason	422/61
D388,519	S *	12/1997	Skiffington et al.	D24/223
D421,302	S *	2/2000	Korteweg	D24/119

D545,430 S * 6/2007 Tsauro D24/119
2005/0288606 A1 * 12/2005 Alter 600/572

* cited by examiner

Primary Examiner—Louis S Zarfes

Assistant Examiner—Anhdao Doan

(74) *Attorney, Agent, or Firm*—Skinner and Associates

(57) **CLAIM**

The ornamental design for a culture swab, as shown and described.

DESCRIPTION

The design is for a bullet tipped culture swab for use in veterinary medical procedures. The culture swab has a swab that is disposed within the cultures swab and deployed during use.

FIG. 1 is a perspective view of a culture swab showing an embodiment of the design of this invention.

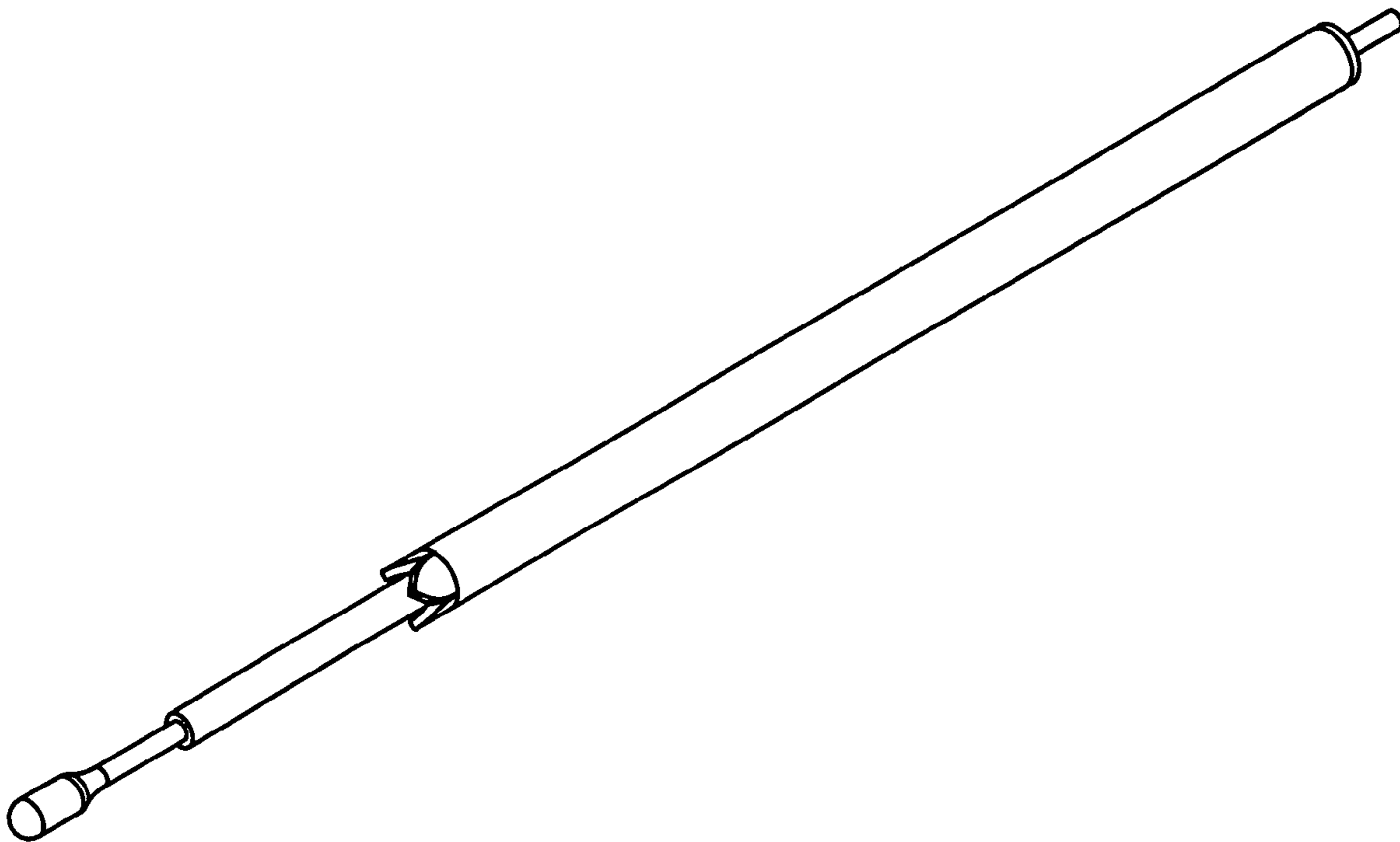
FIG. 2 is a side view thereof, the opposite side being symmetrical.

FIG. 3 is an end view thereof.

FIG. 4 is an opposite end view thereof; and,

FIG. 5 is a perspective view thereof, showing the culture swab in use.

1 Claim, 3 Drawing Sheets



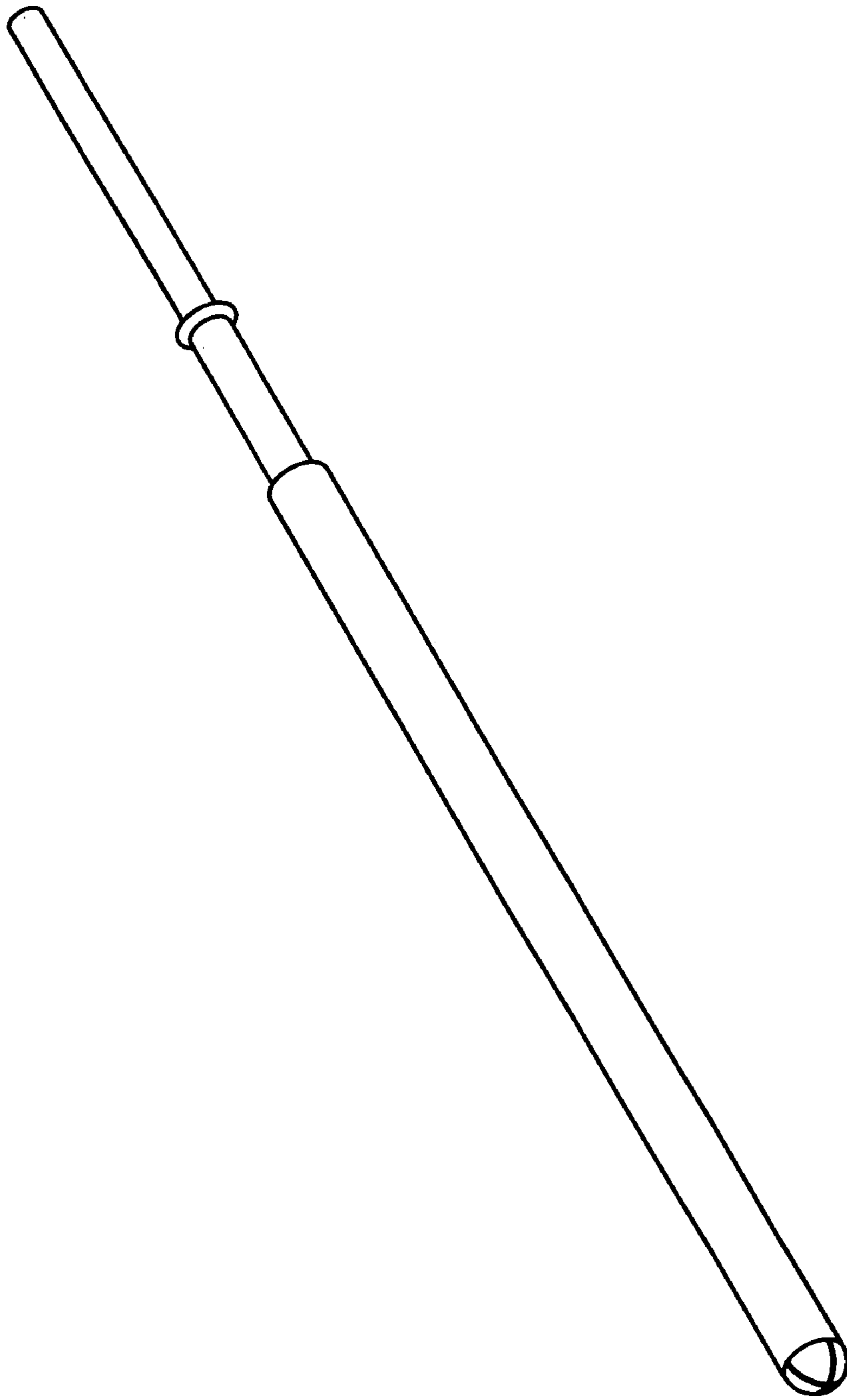


FIG. 1



FIG. 2



FIG. 3



FIG. 4

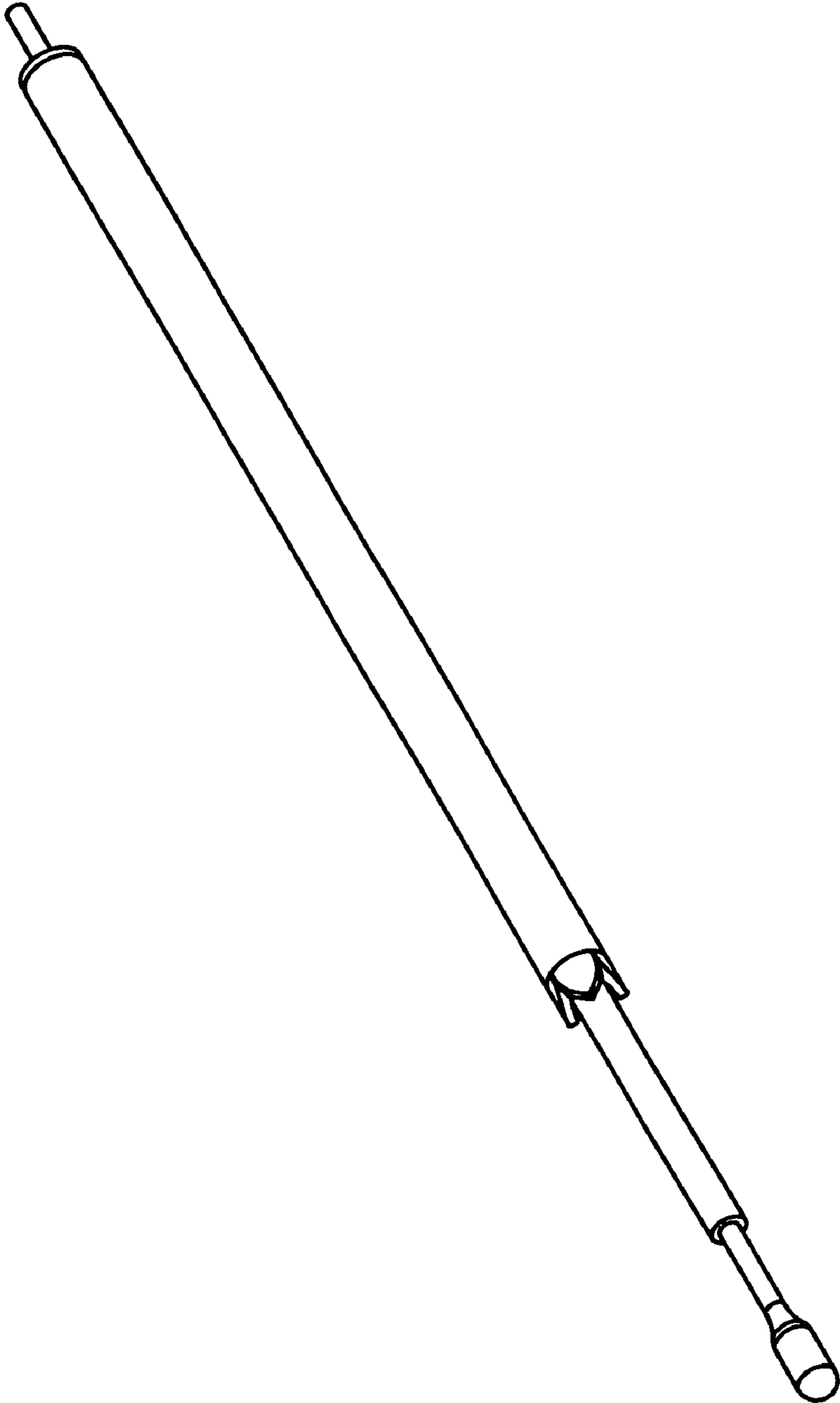


FIG. 5