



US00D585996S

(12) **United States Design Patent**
Rosene et al.

(10) **Patent No.:** **US D585,996 S**
(45) **Date of Patent:** **** Feb. 3, 2009**

(54) **FLOATING SPA COVER**

(76) Inventors: **Richard C. Rosene**, 40034 Gibraltar Dr.,
Murrieta, CA (US) 92562; **Lora J.**
Rosene, 40034 Gibraltar Dr., Murrieta,
CA (US) 92562

(**) Term: **14 Years**

(21) Appl. No.: **29/308,237**

(22) Filed: **Jun. 4, 2008**

Related U.S. Application Data

(62) Division of application No. 29/257,639, filed on Apr.
7, 2006.

(51) **LOC (9) Cl.** **24-01**

(52) **U.S. Cl.** **D24/205**

(58) **Field of Classification Search** D24/201,
D24/203-205; 4/498, 499, 493, 488, 580,
4/503-504, 588, 496-497; D13/101-102;
D25/2; 126/566

See application file for complete search history.

(56) **References Cited**

U.S. PATENT DOCUMENTS

3,072,920	A *	1/1963	Yellott	126/566
3,940,809	A *	3/1976	Hughes	4/499
4,011,607	A *	3/1977	Davidoff	4/503
D289,685	S *	5/1987	Peer	D24/205
4,838,967	A *	6/1989	Todd et al.	156/145
5,398,349	A *	3/1995	Haberler	4/498
D367,709	S *	3/1996	Lawing et al.	D24/205
5,619,759	A *	4/1997	Hansen et al.	4/498
6,286,157	B1 *	9/2001	Baumann	4/503
6,640,353	B1 *	11/2003	Williams	4/493
6,832,395	B1 *	12/2004	Jeffcoat	4/498
7,093,593	B2 *	8/2006	Rosene et al.	126/565

7,143,455	B2 *	12/2006	Cordray et al.	4/503
D534,488	S *	1/2007	Rosene et al.	D13/102
2006/0180142	A1 *	8/2006	Rosene et al.	126/565
2006/0195978	A1 *	9/2006	Stout et al.	4/498
2007/0271692	A1 *	11/2007	Herd et al.	4/499

* cited by examiner

Primary Examiner—Ian Simmons

Assistant Examiner—Wan Laymon

(74) *Attorney, Agent, or Firm*—Palomar Patent; Calif Tervo

(57) **CLAIM**

The ornamental design for a floating spa cover, as shown and described.

DESCRIPTION

FIG. 1 is a top, front perspective view of a floating spa cover showing our new design; the bottom perspective view being a mirror image;

FIG. 2 is a rear elevation view thereof; the left and right side elevation views being identical;

FIG. 3 is a front elevation view thereof;

FIG. 4 is a top, front perspective view of a second embodiment showing our new design; the bottom perspective view being a mirror image;

FIG. 5 is a rear elevation view thereof; the left and right side elevation views being identical;

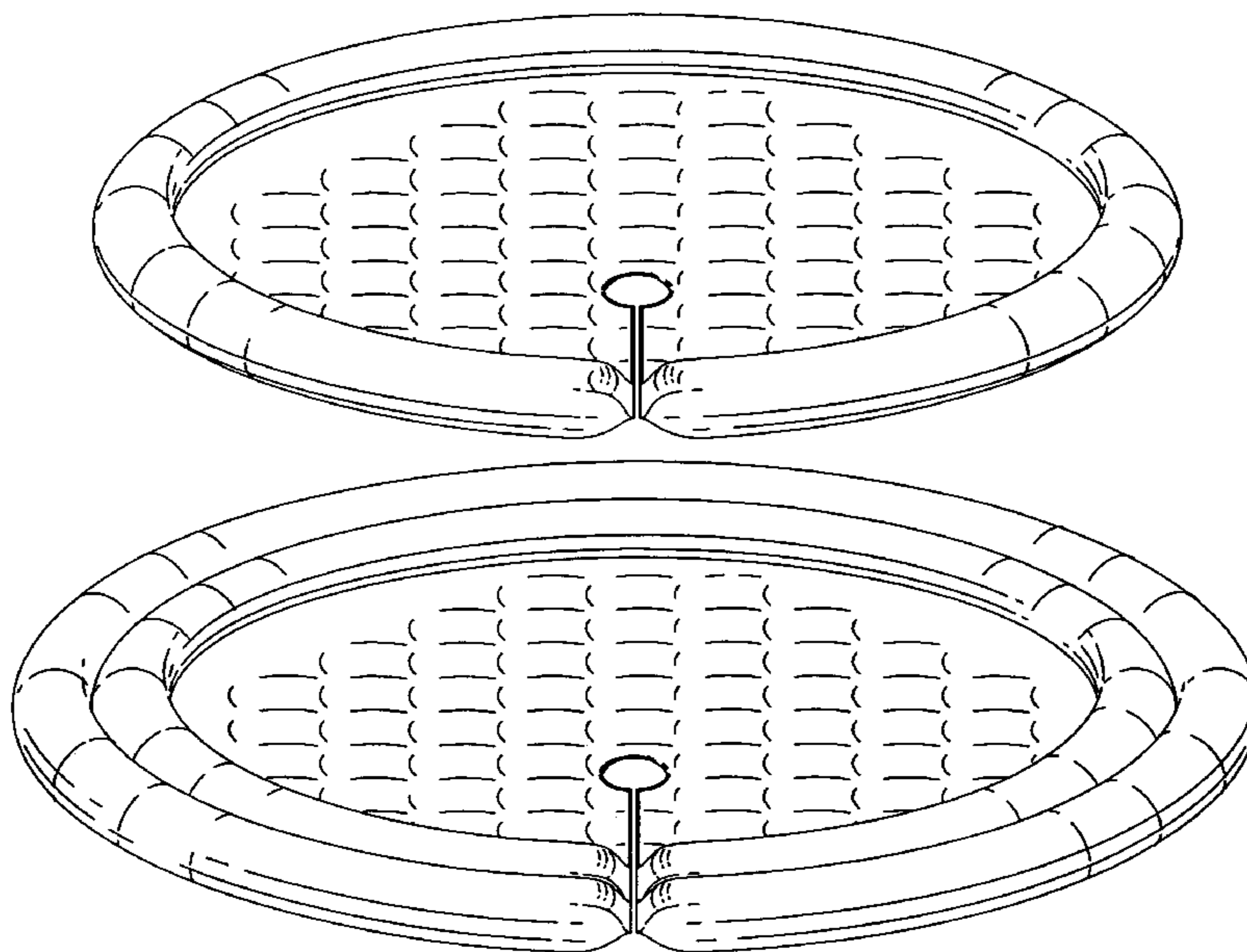
FIG. 6 is a front elevation view thereof;

FIG. 7 is a top, front perspective view of a third embodiment showing our new design; the bottom perspective view being a mirror image;

FIG. 8 is a rear elevation view thereof; the left and right side elevation views being identical; and,

FIG. 9 is a front elevation view thereof.

1 Claim, 3 Drawing Sheets



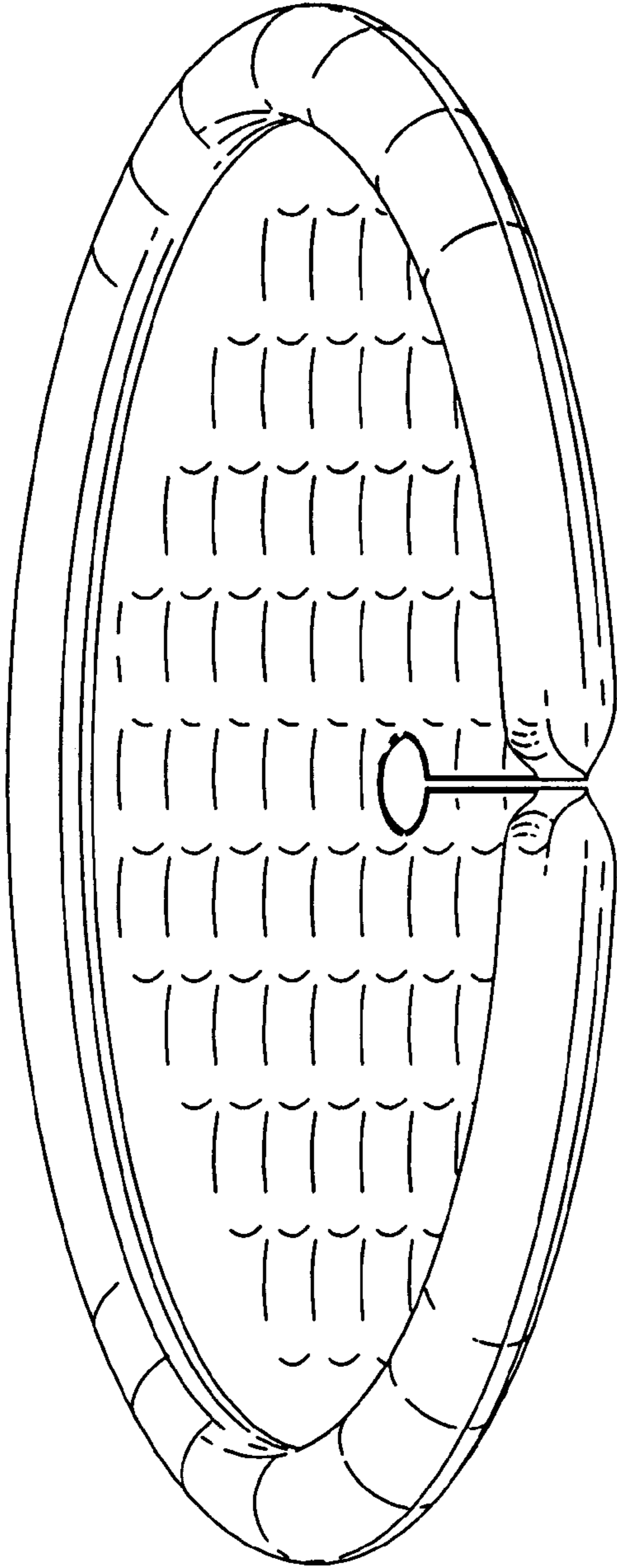


FIG. 1



FIG. 2



FIG. 3

FIG. 4

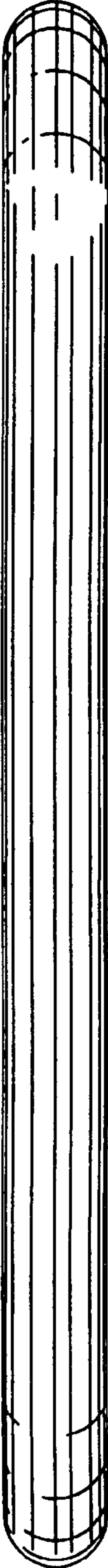
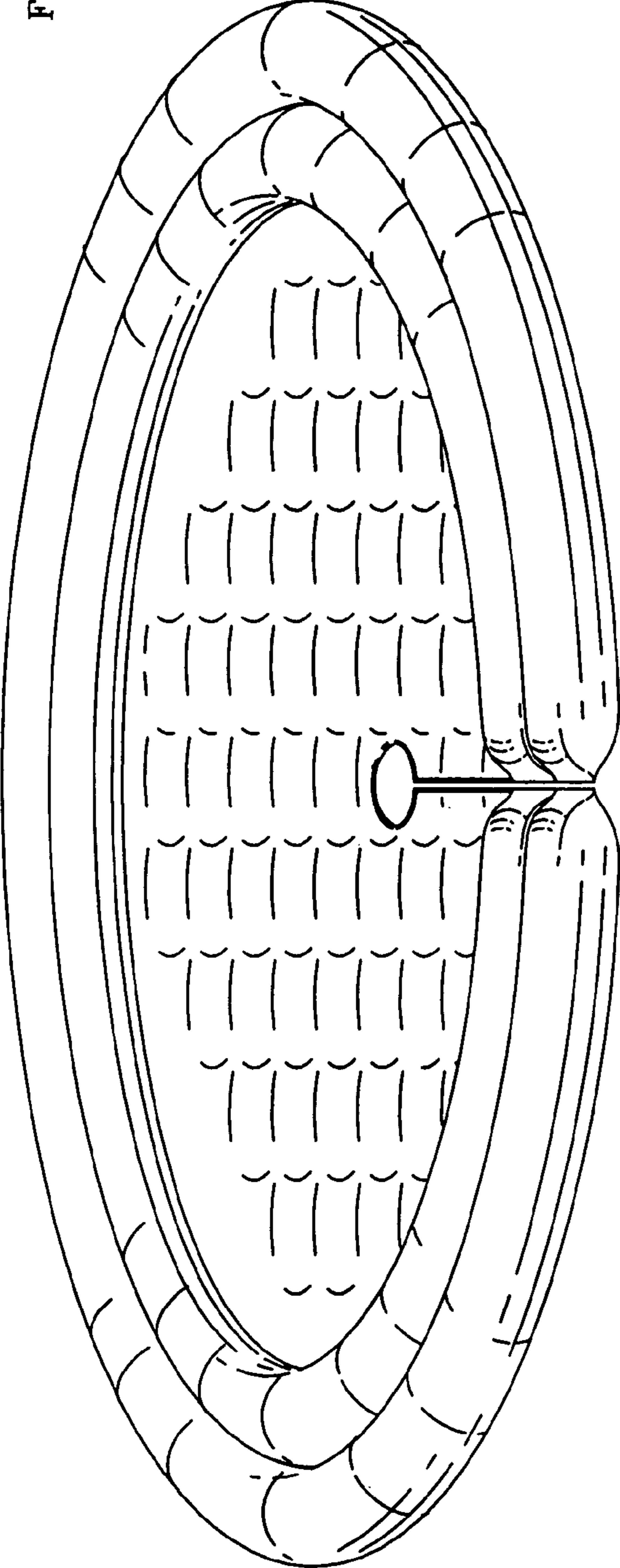


FIG. 5



FIG. 6

FIG. 7

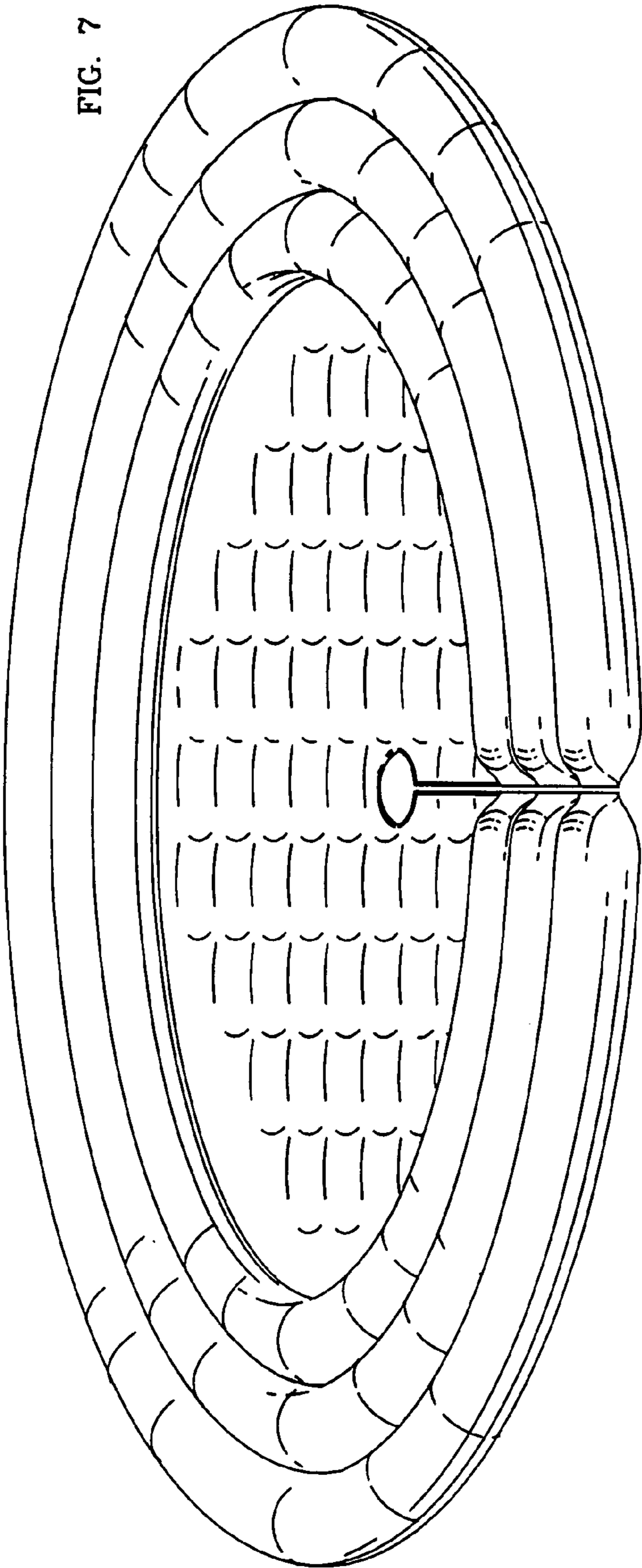


FIG. 8

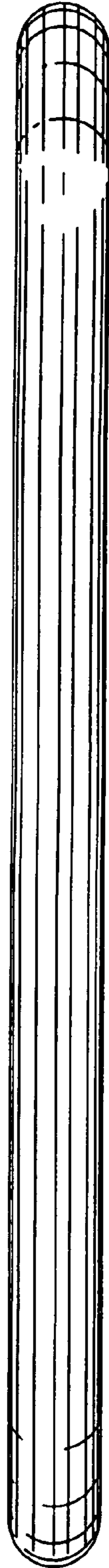


FIG. 9

