



US00D585993S

(12) **United States Design Patent**  
**Kousuge**

(10) **Patent No.:** **US D585,993 S**

(45) **Date of Patent:** **\*\* Feb. 3, 2009**

(54) **URINE GLUCOSE METER**

(57) **CLAIM**

(75) Inventor: **Rie Kousuge**, Yashio (JP)

The ornamental design for a urine glucose meter, as shown and described.

(73) Assignee: **Tanita Corporation**, Tokyo (JP)

(\*\*) Term: **14 Years**

**DESCRIPTION**

(21) Appl. No.: **29/292,647**

(22) Filed: **Oct. 22, 2007**

(30) **Foreign Application Priority Data**

Apr. 25, 2007 (JP) ..... 2007-011229

(51) **LOC (9) Cl.** ..... **24-01**

(52) **U.S. Cl.** ..... **D24/186**

(58) **Field of Classification Search** ..... D10/78,  
D10/81; D24/169, 183-187, 216-234; 422/68.1,  
422/63, 65, 99, 56, 58, 61, 67, 102, 104;  
436/180, 43, 46, 50, 55; 600/309, 318, 322,  
600/368, 583; 204/403.03, 406, 407

See application file for complete search history.

(56) **References Cited**

**U.S. PATENT DOCUMENTS**

D403,975	S	*	1/1999	Douglas et al.	.....	D24/225
D411,621	S	*	6/1999	Eisenbarth et al.	.....	D24/169
D493,536	S	*	7/2004	Jaeck et al.	.....	D24/169
D530,825	S	*	10/2006	Lee et al.	.....	D24/223
D531,735	S	*	11/2006	Lee et al.	.....	D24/223
D536,798	S	*	2/2007	Lee et al.	.....	D24/223
D545,439	S	*	6/2007	Draudt et al.	.....	D24/186
D546,454	S	*	7/2007	Gutmann et al.	.....	D24/169
D546,457	S	*	7/2007	Hannant et al.	.....	D24/186
D569,982	S	*	5/2008	Loerwald	.....	D24/186

\* cited by examiner

*Primary Examiner*—Robert A. Delehanty

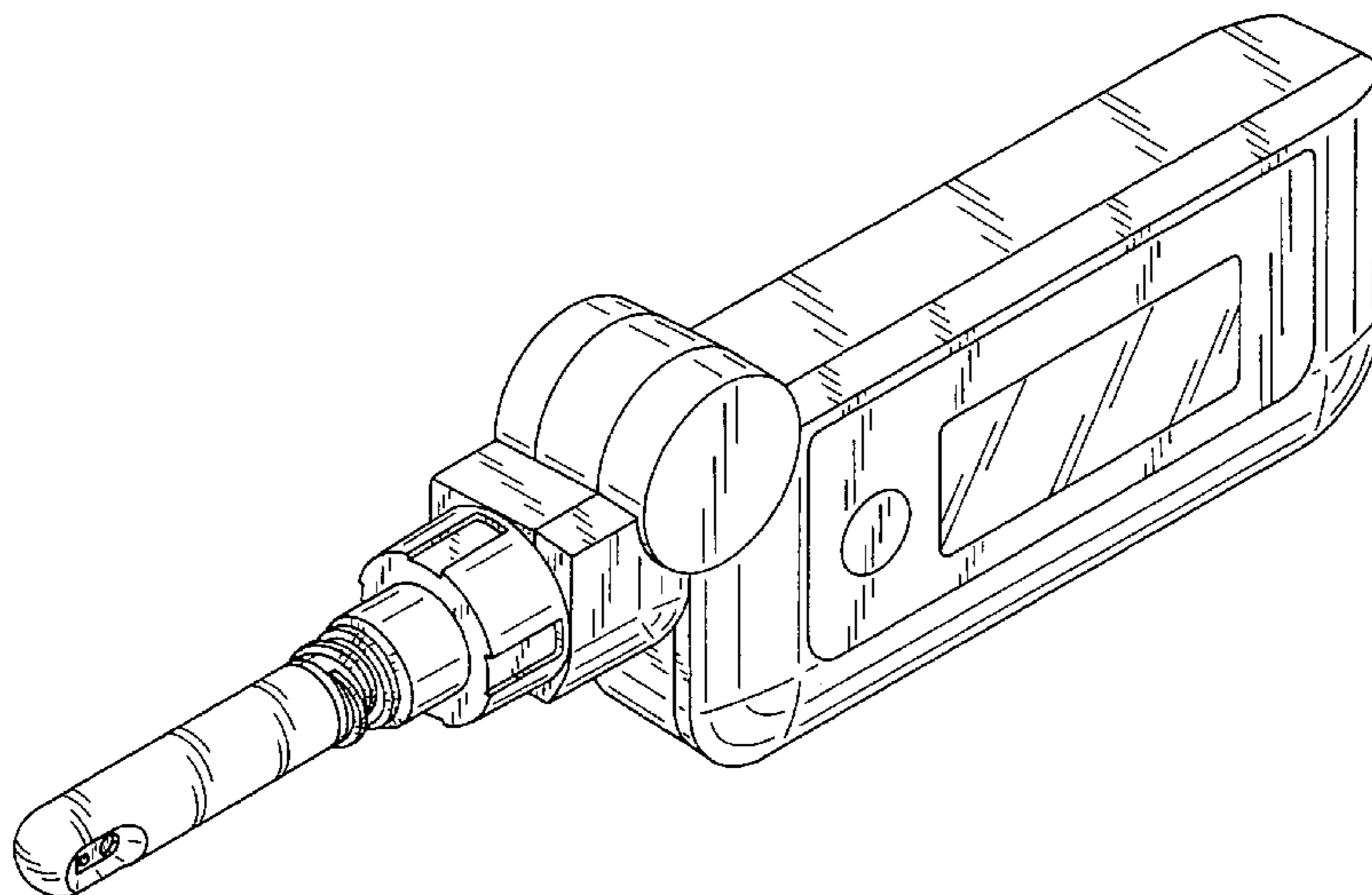
*Assistant Examiner*—Mark Cavanna

(74) *Attorney, Agent, or Firm*—Frishauf, Holtz, Goodman & Chick, P.C.

FIG. 1 is a front, left side, top perspective view of a urine glucose meter showing my new design;  
 FIG. 2 is a front elevational view thereof;  
 FIG. 3 is a rear elevational view thereof;  
 FIG. 4 is a left side view thereof;  
 FIG. 5 is a right side view thereof;  
 FIG. 6 is a top plan view thereof;  
 FIG. 7 is a bottom plan view thereof;  
 FIG. 8 is a reference front elevational view thereof showing a state in which this article is fold and a cap is attached;  
 FIG. 9 is a reference rear elevational view thereof showing a state in which this article is fold and a cap is attached;  
 FIG. 10 is a reference left side view thereof showing a state in which this article is fold and a cap is attached;  
 FIG. 11 is a reference right side view thereof showing a state in which this article is fold and a cap is attached;  
 FIG. 12 is a reference top plan view thereof showing a state in which this article is fold and a cap is attached;  
 FIG. 13 is a reference bottom plan view thereof showing a state in which this article is fold and a cap is attached;  
 FIG. 14 is a reference perspective view thereof showing a state in which this article is fold and a cap is attached; and,  
 FIG. 15 is a reference front elevational view thereof, showing a state in which this article is electrified.

The portions of the urine glucose meter in broken lines are shown for illustrative purposes only and form no part of the claimed design.

**1 Claim, 13 Drawing Sheets**



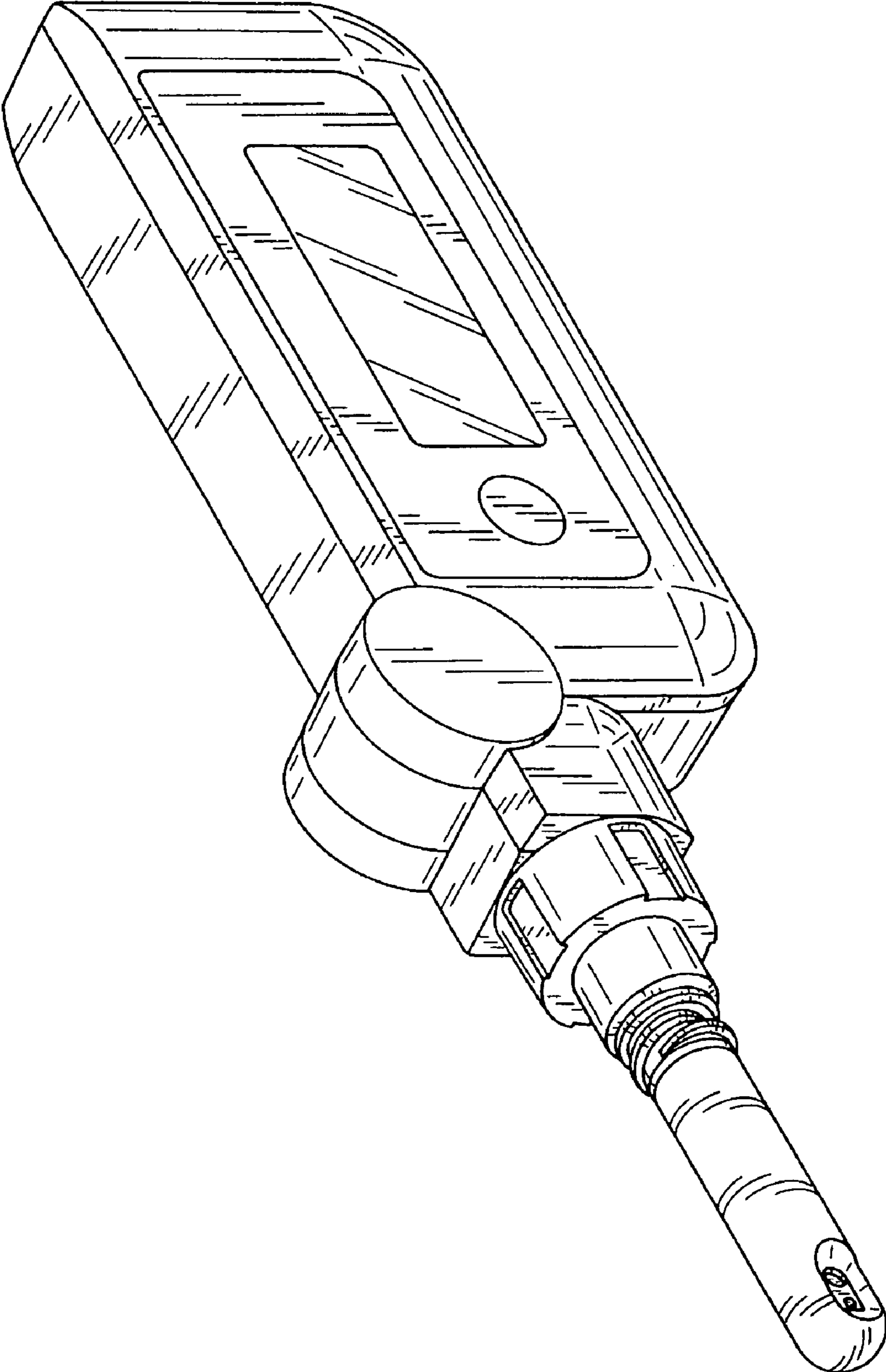


FIG. 1

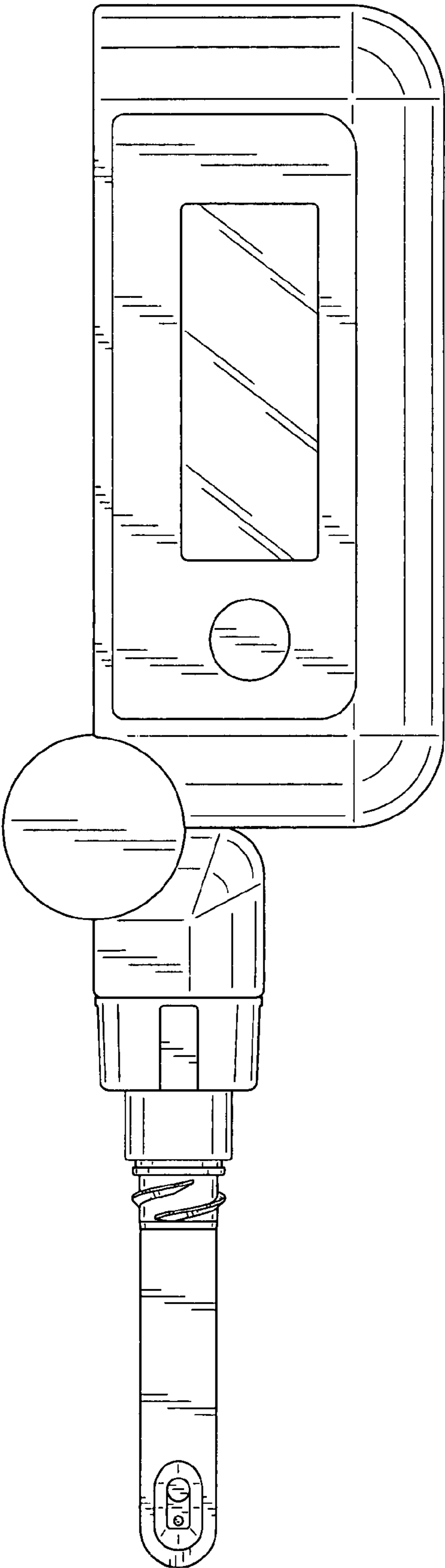


FIG. 2

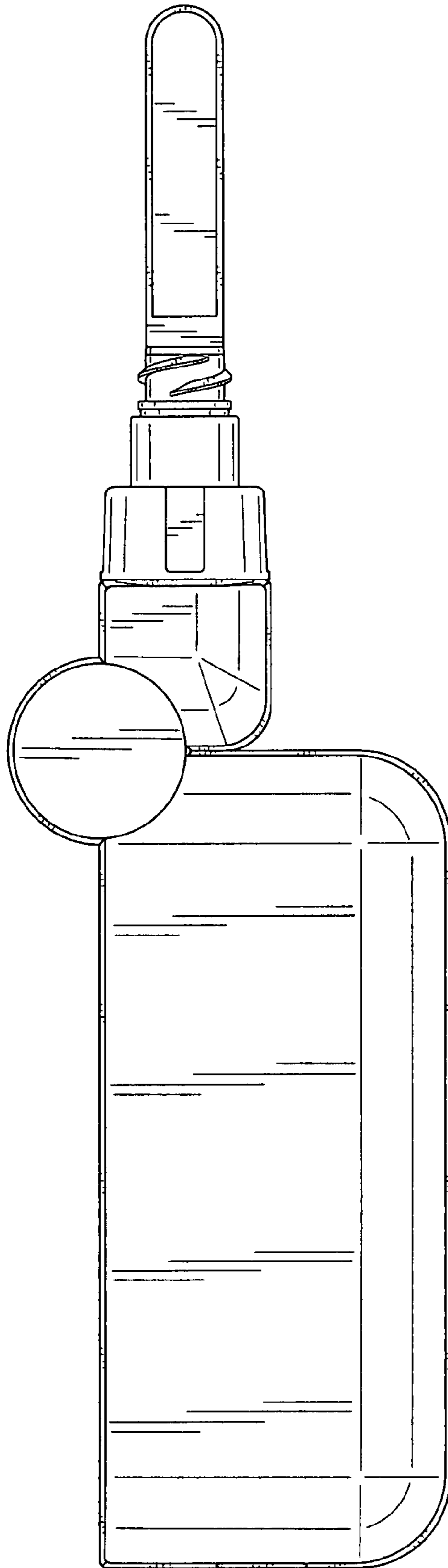
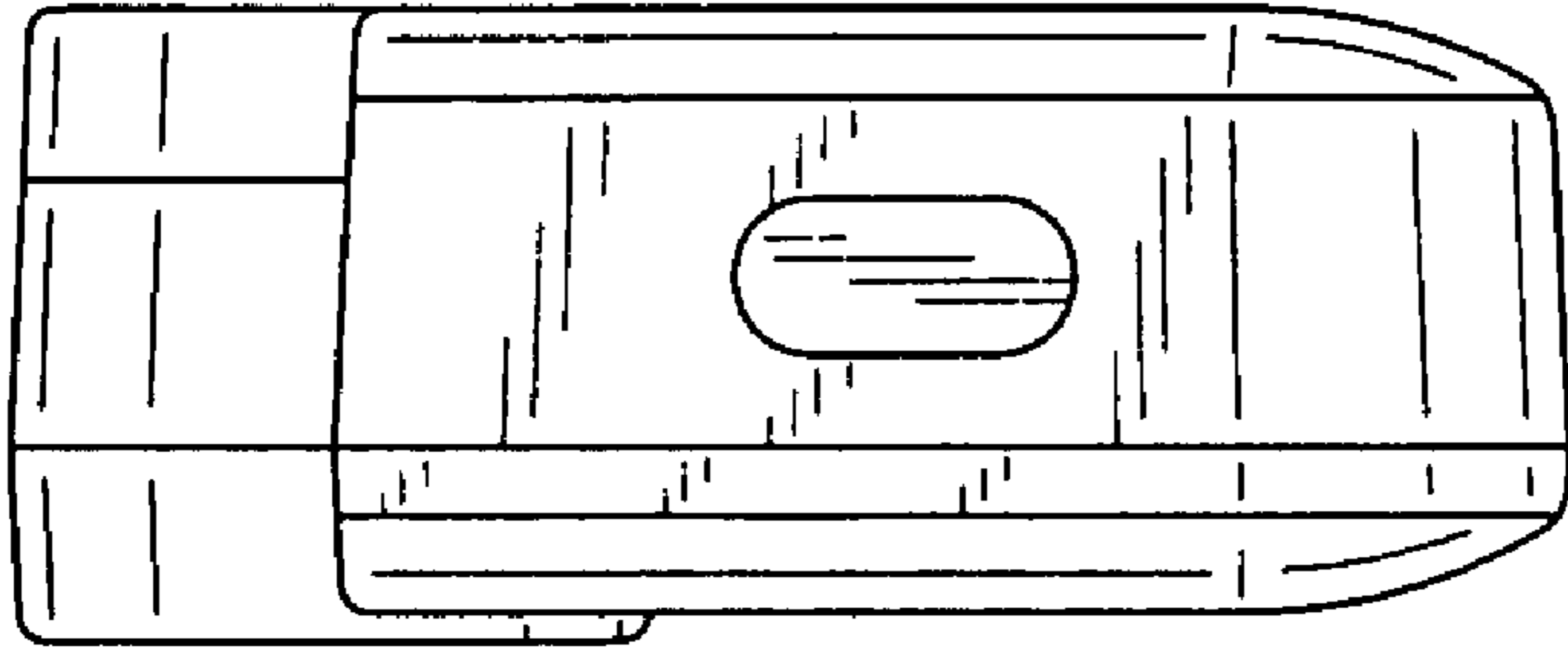
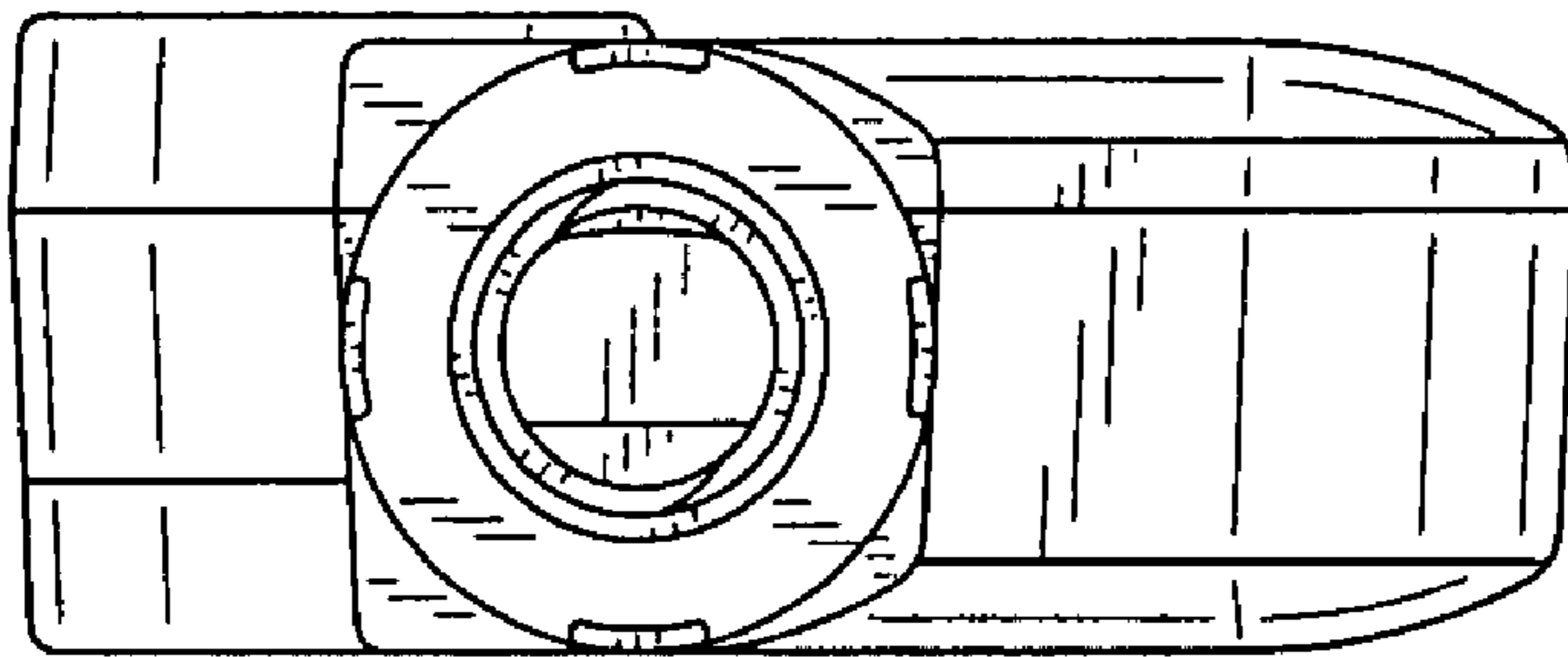


FIG. 3



**FIG. 4**



**FIG. 5**

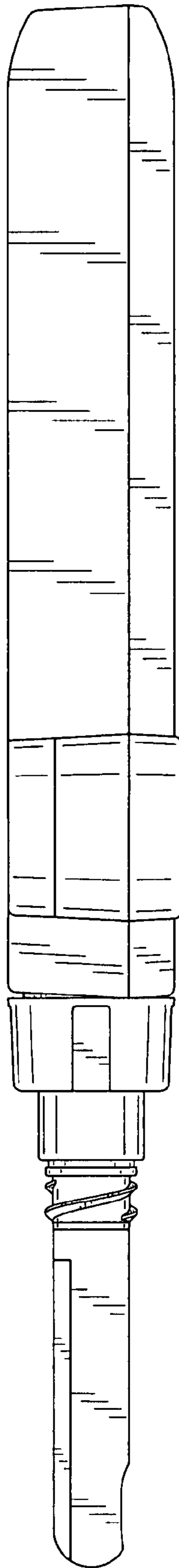


FIG. 6

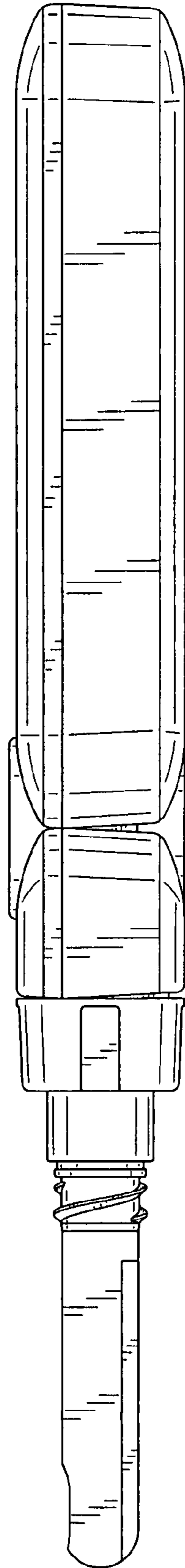


FIG. 7

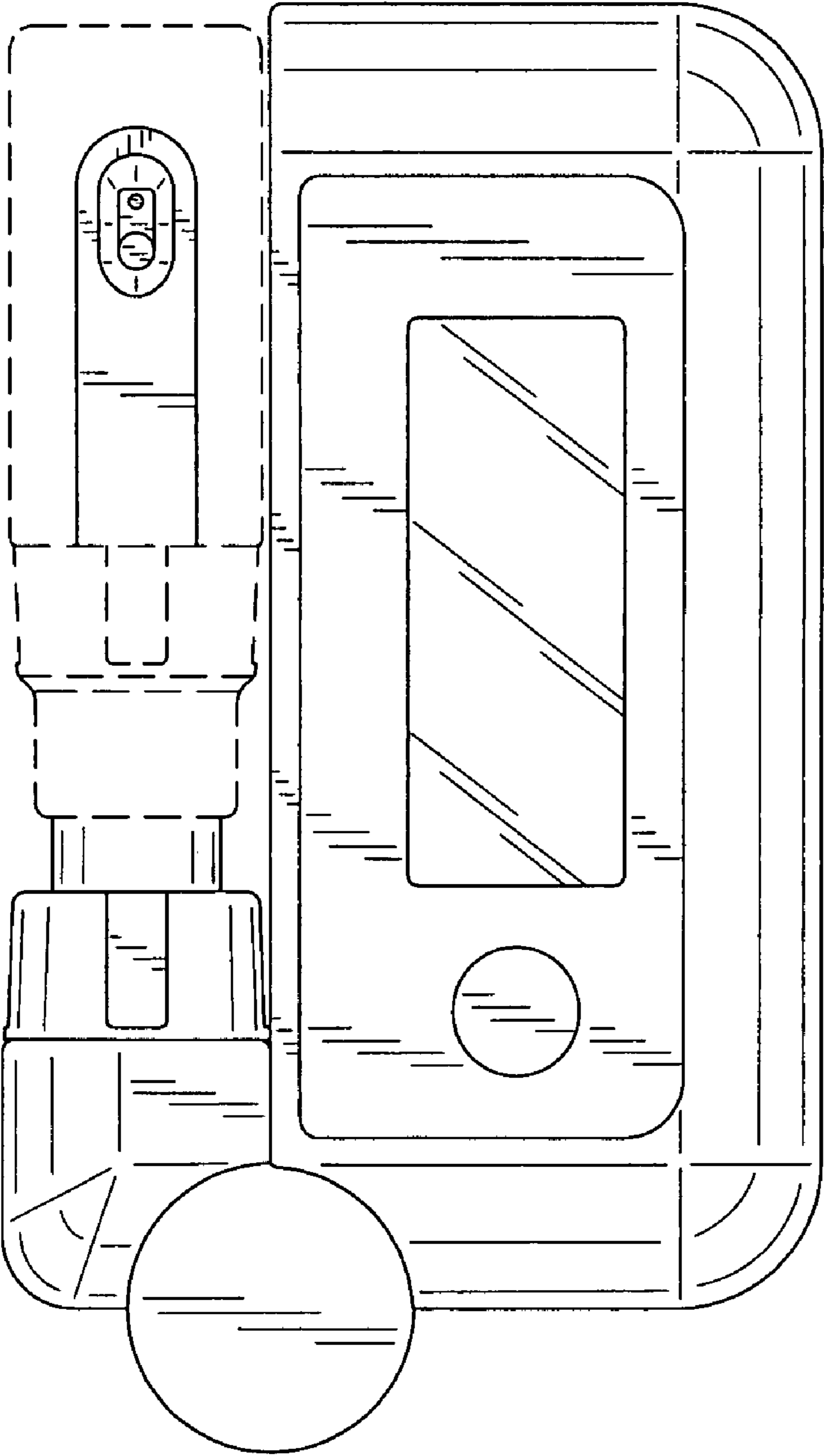


FIG. 8



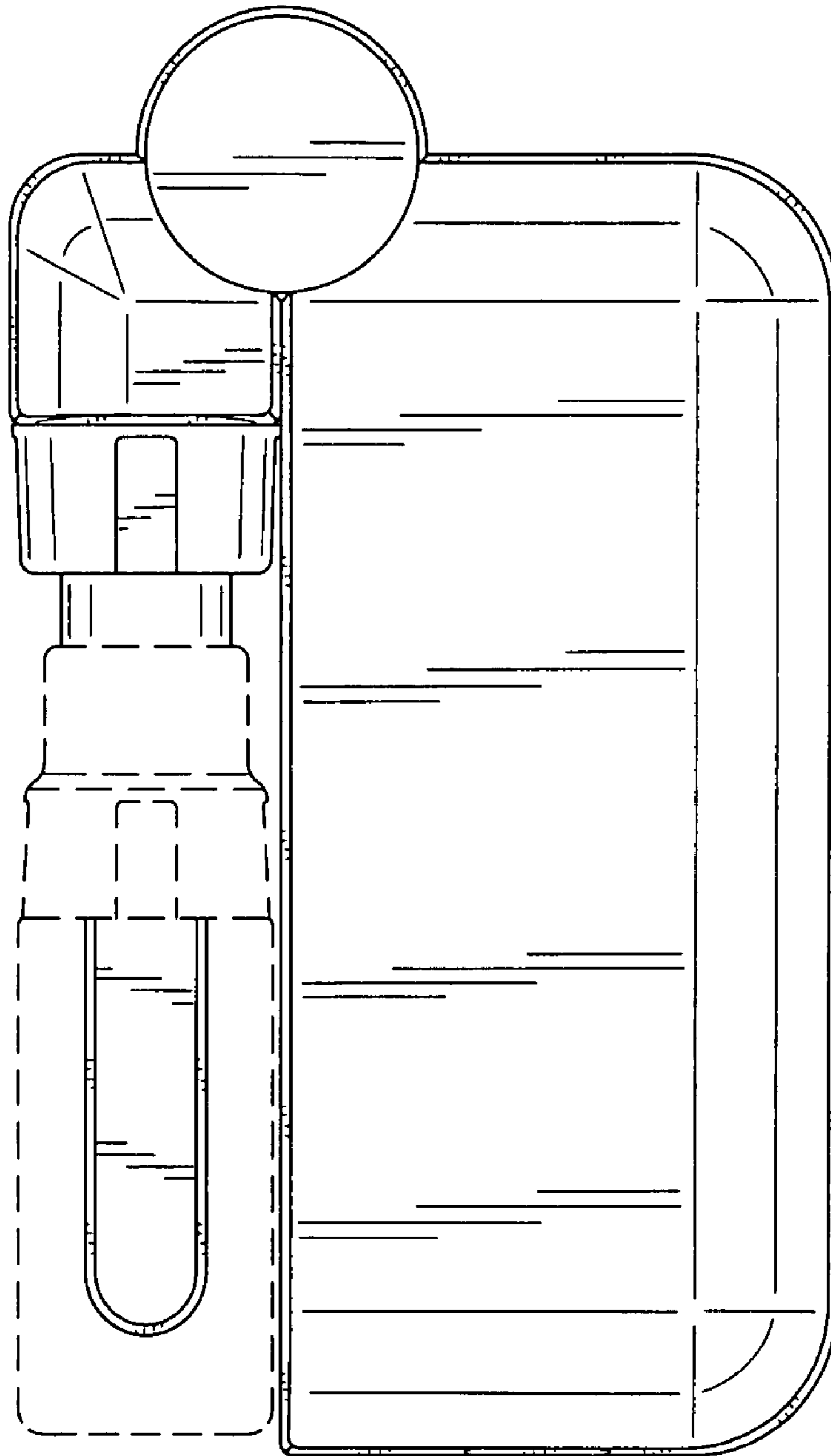
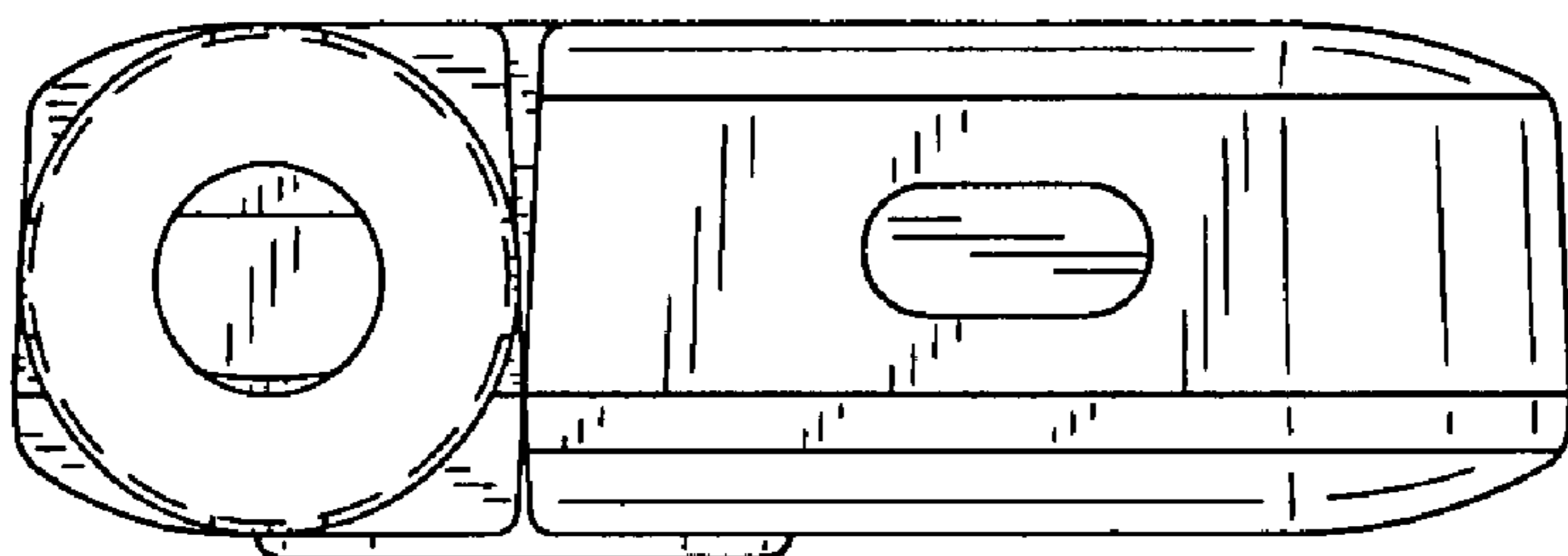
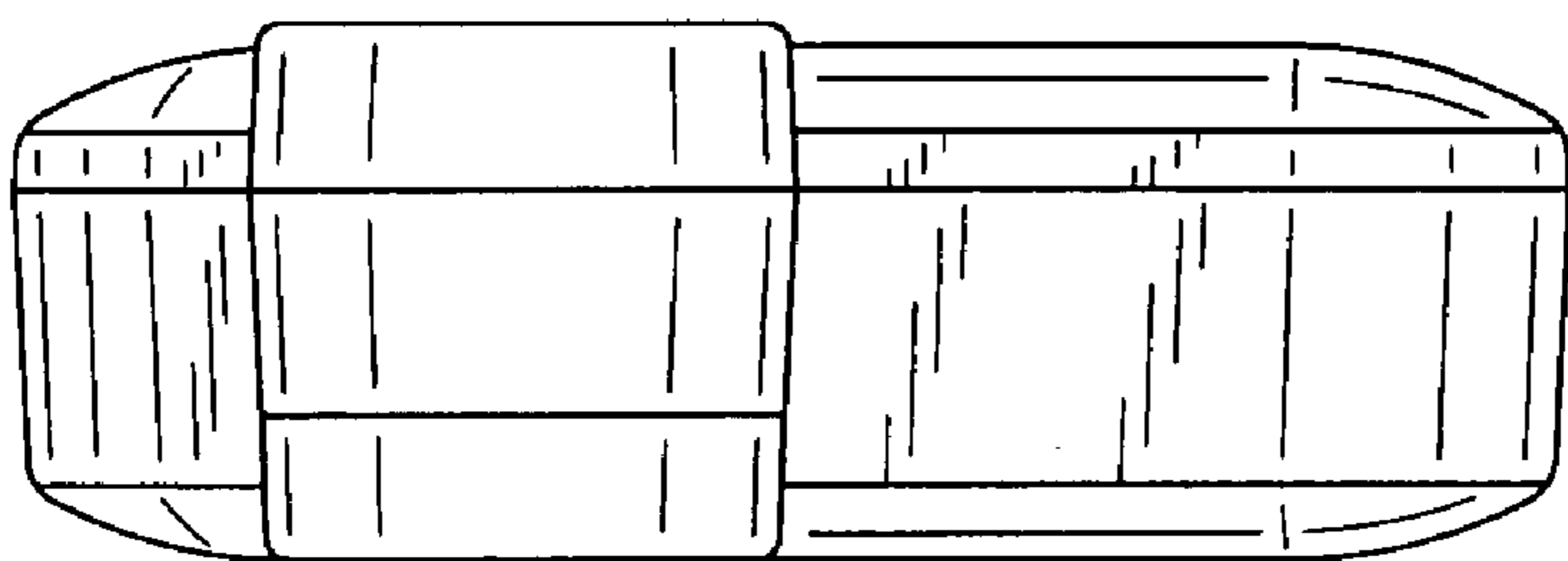


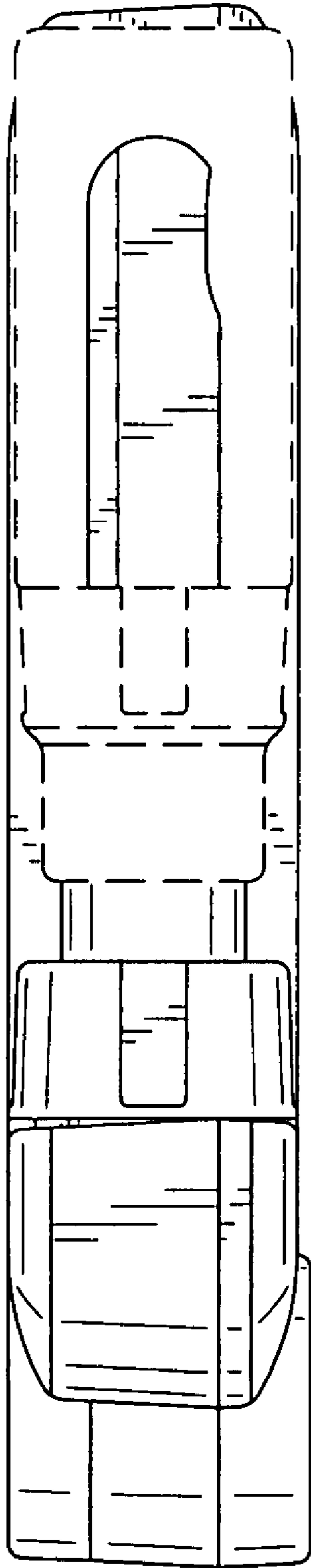
FIG. 9



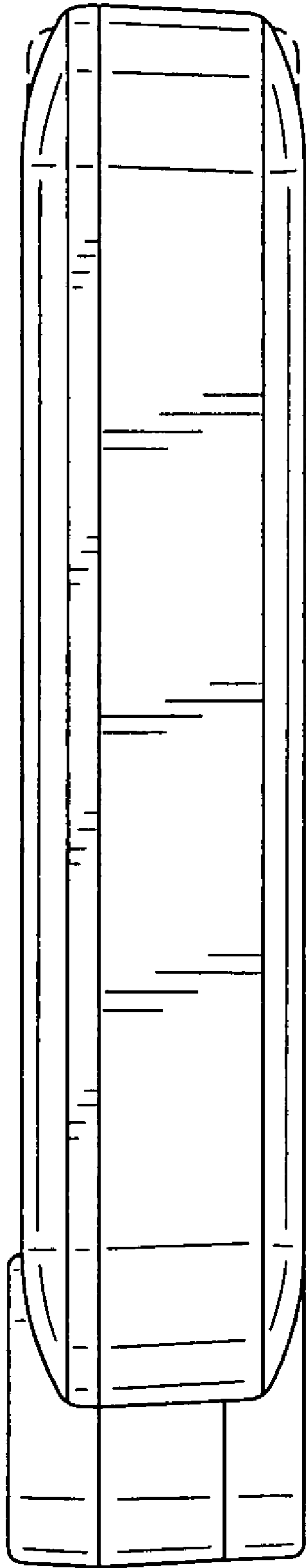
**FIG. 10**



**FIG. 11**



**FIG. 12**



**FIG. 13**

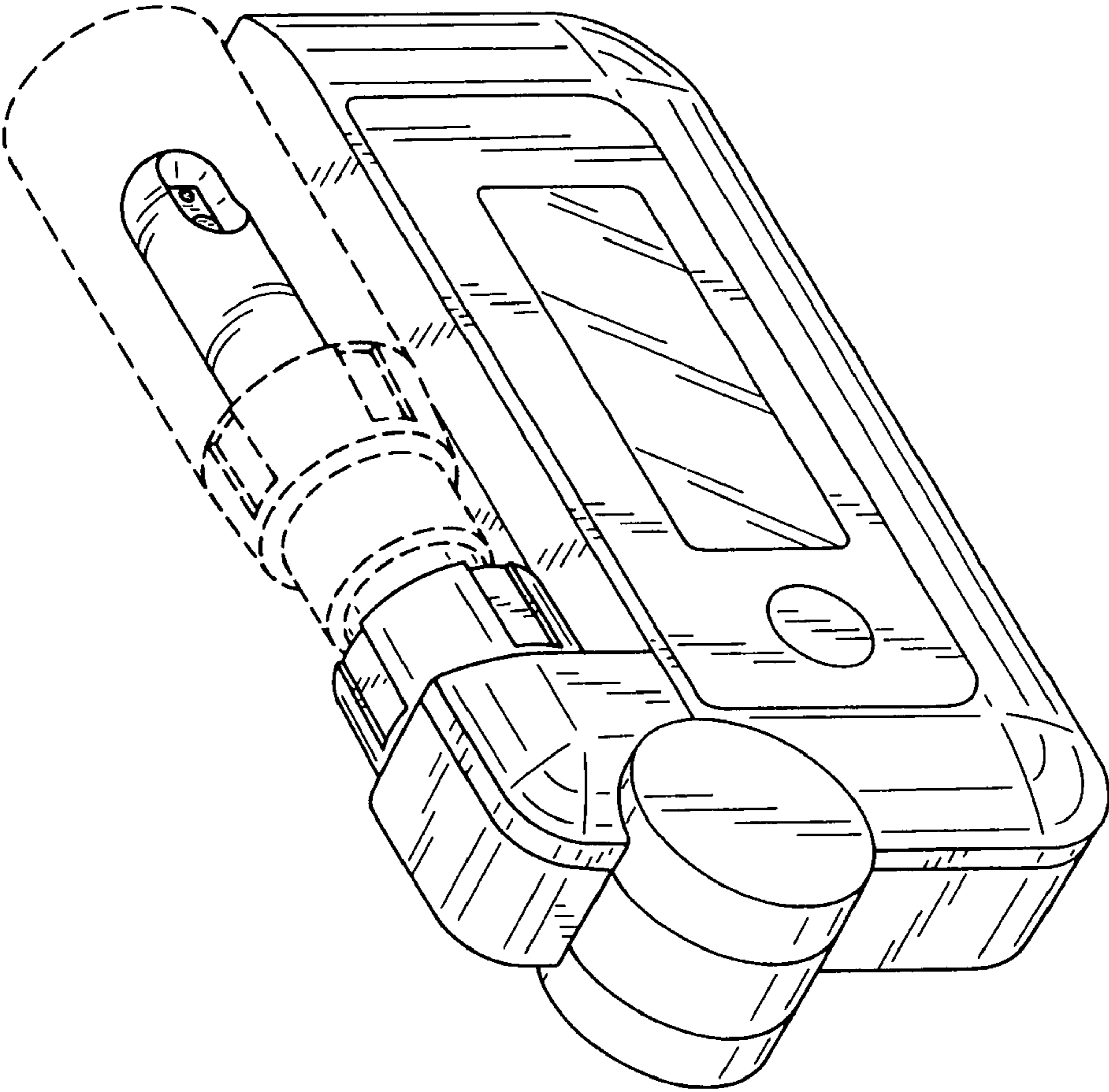


FIG. 14

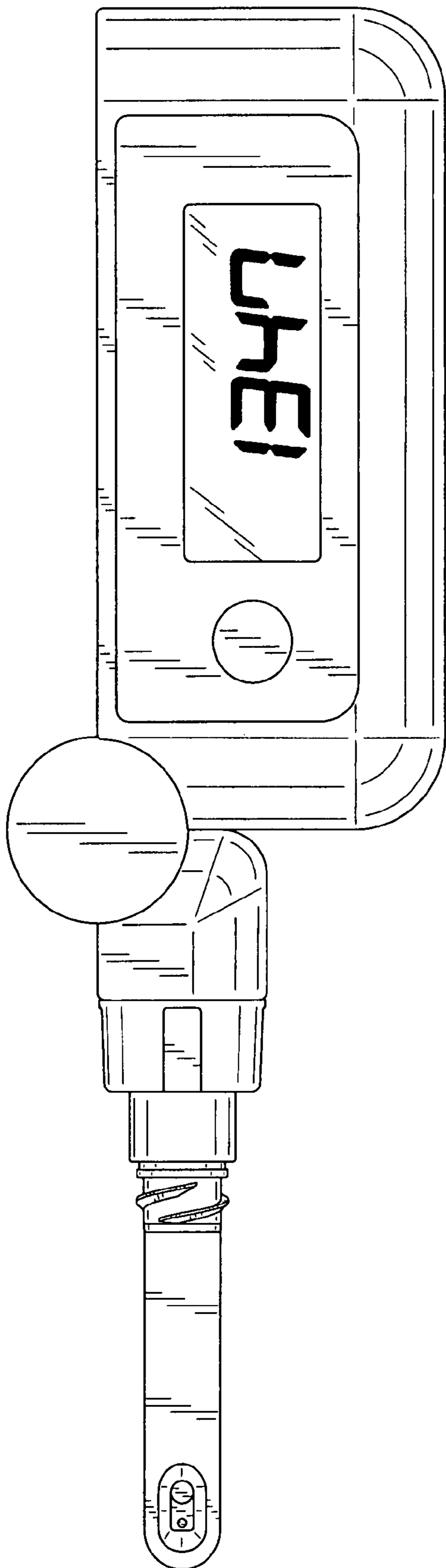


FIG. 15