



US00D585991S

(12) **United States Design Patent**
Helgeson et al.

(10) **Patent No.:** **US D585,991 S**
(45) **Date of Patent:** **** Feb. 3, 2009**

(54) **COMBINED AIR PULSATOR AND MOVABLE PEDESTAL**

(76) Inventors: **Lonnie J. Helgeson**, 502 Sixth Ave., NW., New Prague, MN (US) 56071;
Michael W. Larson, 502 Sixth Ave., NW., New Prague, MN (US) 56071

(**) Term: **14 Years**

(21) Appl. No.: **29/268,471**

(22) Filed: **Nov. 7, 2006**

(51) **LOC (9) Cl.** **24-01**

(52) **U.S. Cl.** **D24/176**

(58) **Field of Classification Search** D24/164,
D24/185, 186; D13/112, 116; D34/14; 128/204.18;
55/356, 357; 601/41, 44, 149; 280/651,
280/652

See application file for complete search history.

(56) **References Cited**

U.S. PATENT DOCUMENTS

2,779,329	A	1/1957	Huxley, III et al.	
2,780,222	A	2/1957	Polizin et al.	
3,333,581	A	8/1967	Robinson et al.	
D241,275	S	8/1976	Green	
4,017,737	A	4/1977	Hudson et al.	
D246,599	S *	12/1977	Ward et al.	D24/164
4,838,263	A	6/1989	Warwick et al.	
D341,890	S	11/1993	Sievert et al.	
D342,788	S	12/1993	Weaver et al.	
5,569,170	A	10/1996	Hansen	
5,769,800	A	6/1998	Gelfand et al.	
6,036,662	A	3/2000	Van Brunt et al.	
D459,477	S *	6/2002	Stocks et al.	D24/164
6,547,749	B2	4/2003	Hansen	

6,676,614	B1	1/2004	Hansen et al.	
D498,528	S *	11/2004	Van Brunt et al.	D24/110
6,865,418	B2	3/2005	Merry	
D510,437	S *	10/2005	Lang et al.	D24/164
D518,267	S	3/2006	Arceta	
D528,212	S *	9/2006	Conway et al.	D24/164
D531,728	S *	11/2006	Helgeson	D24/164
2001/0007928	A1	7/2001	Hansen	
2002/0016560	A1	2/2002	Hansen	
2003/0062045	A1 *	4/2003	Woodring et al.	128/204.18
2005/0235988	A1	10/2005	Hansen et al.	

* cited by examiner

Primary Examiner—Louis S Zarfaz

Assistant Examiner—Anhdao Doan

(74) *Attorney, Agent, or Firm*—Richard John Bartz

(57) **CLAIM**

The ornamental design for a combined air pulsator and movable pedestal, as shown and described.

DESCRIPTION

FIG. 1 is a perspective view of the combined air pulsator and movable pedestal of our design;

FIG. 2 is a front elevational view thereof;

FIG. 3 is a side elevational view of the right side thereof;

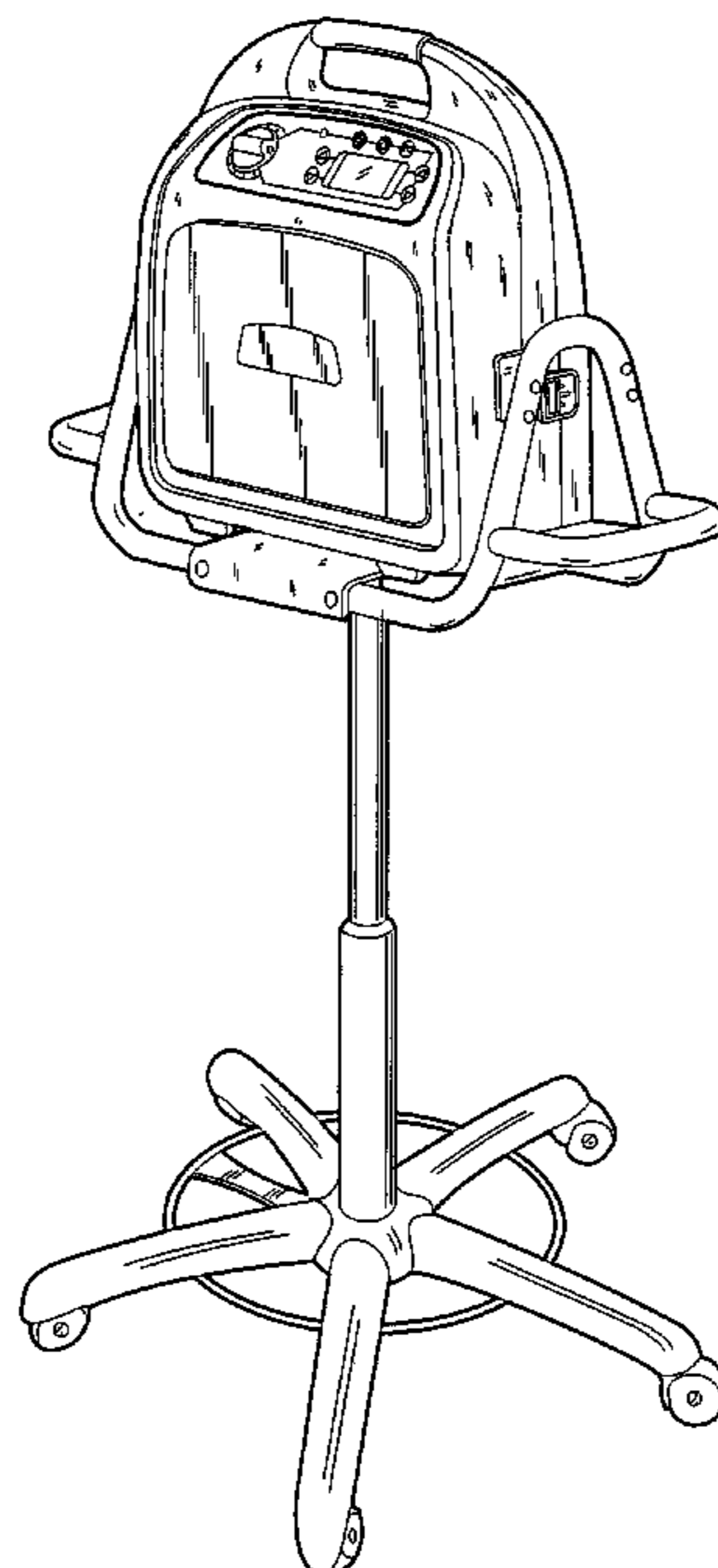
FIG. 4 is a side elevational view of the left side thereof. The broken lines in FIG. 4 are included for the purpose of illustrating a portion of the combined air pulsator and movable pedestal that forms no part of the claimed design;

FIG. 5 is a top plan view thereof;

FIG. 6 is a bottom plan view thereof; and,

FIG. 7 is a rear elevational view thereof.

1 Claim, 7 Drawing Sheets



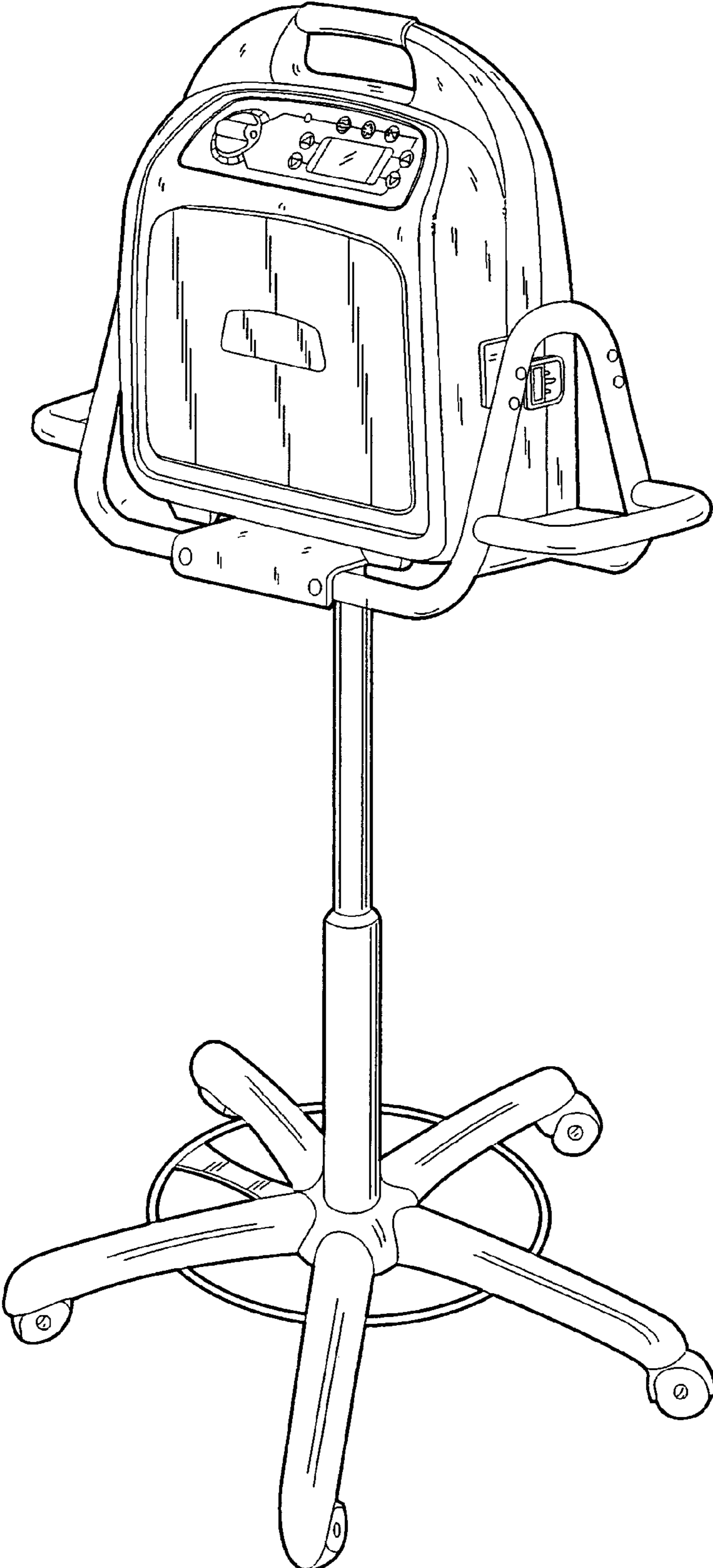


FIG. 1

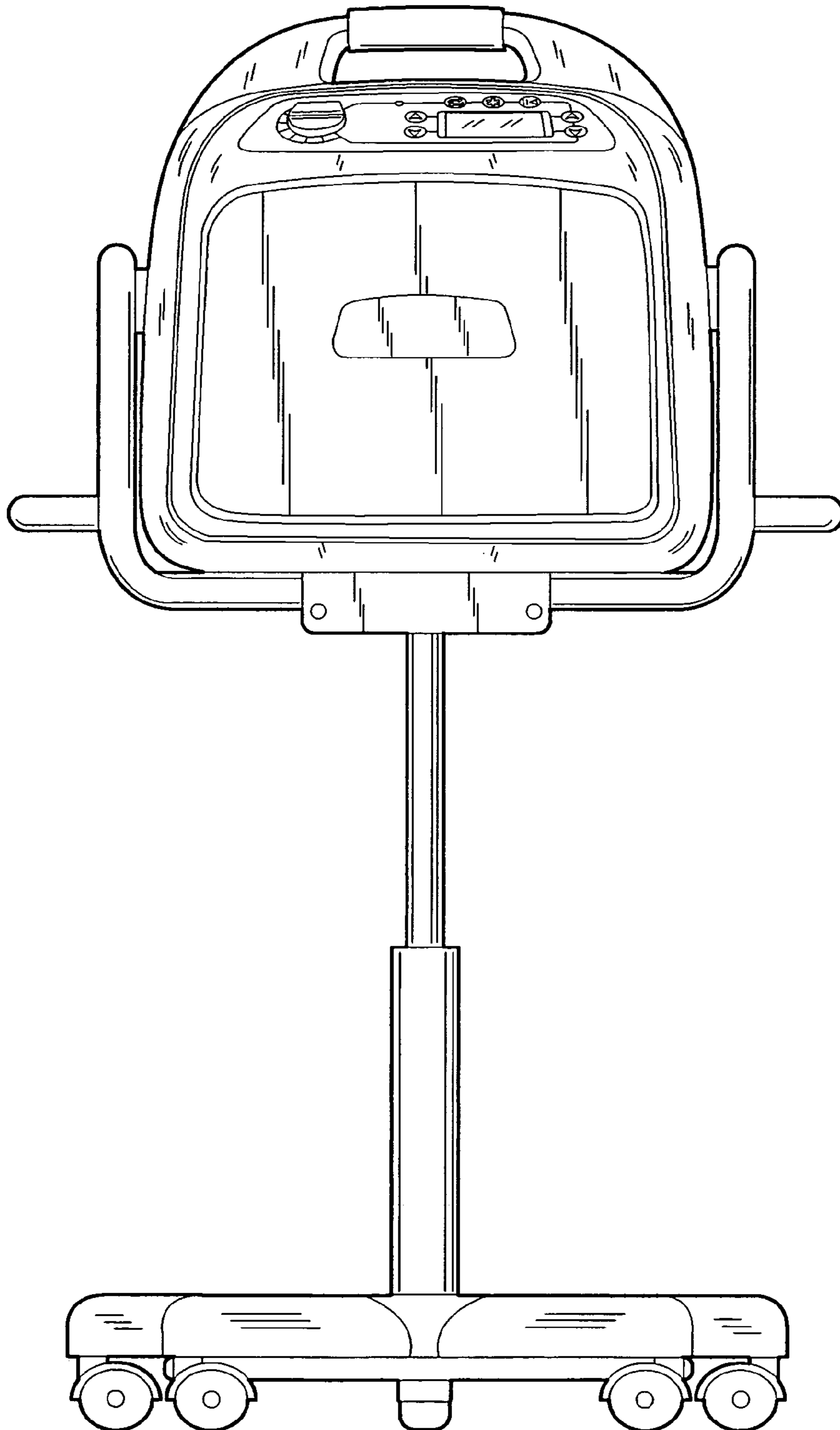


FIG. 2

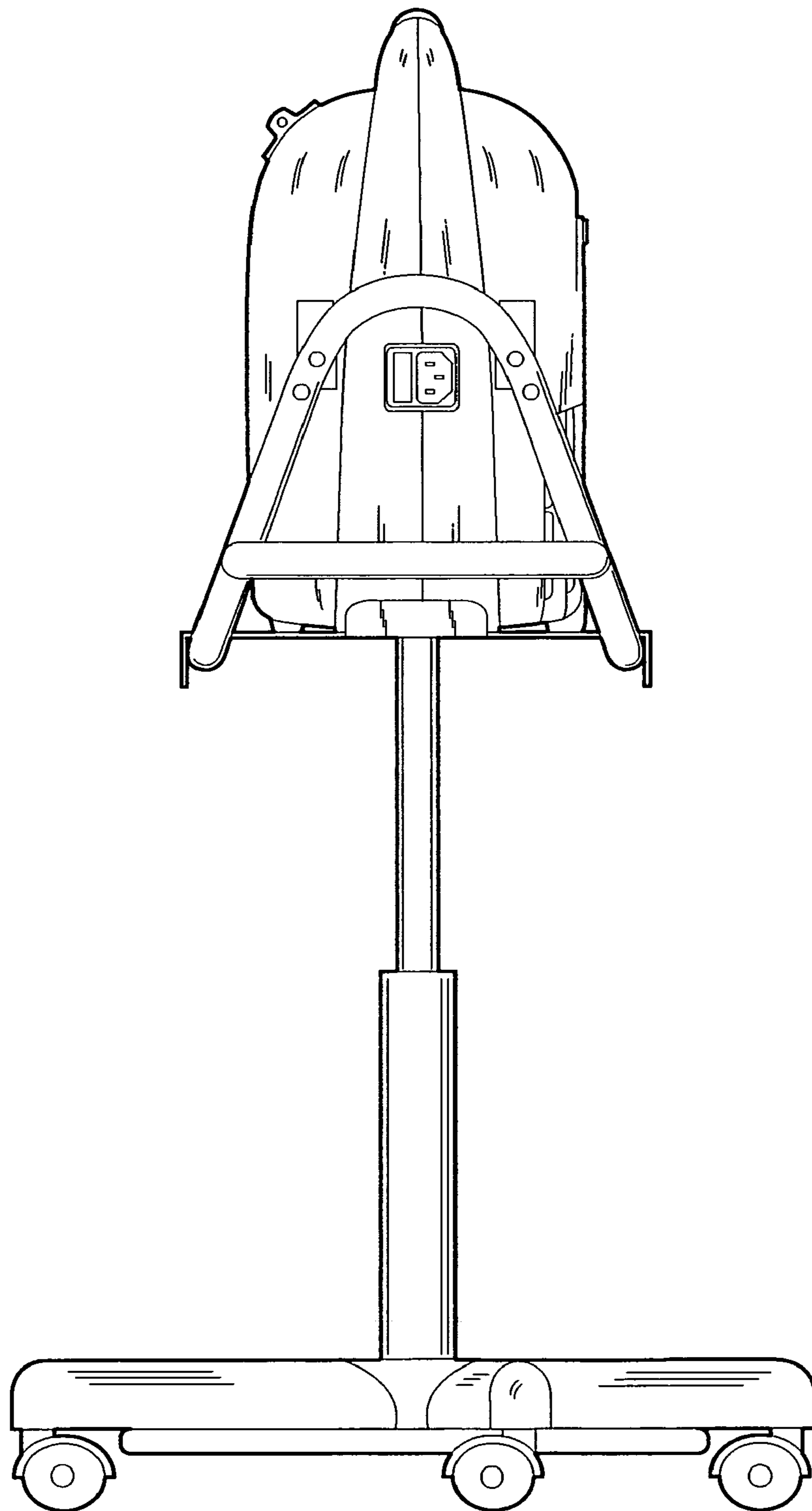


FIG. 3

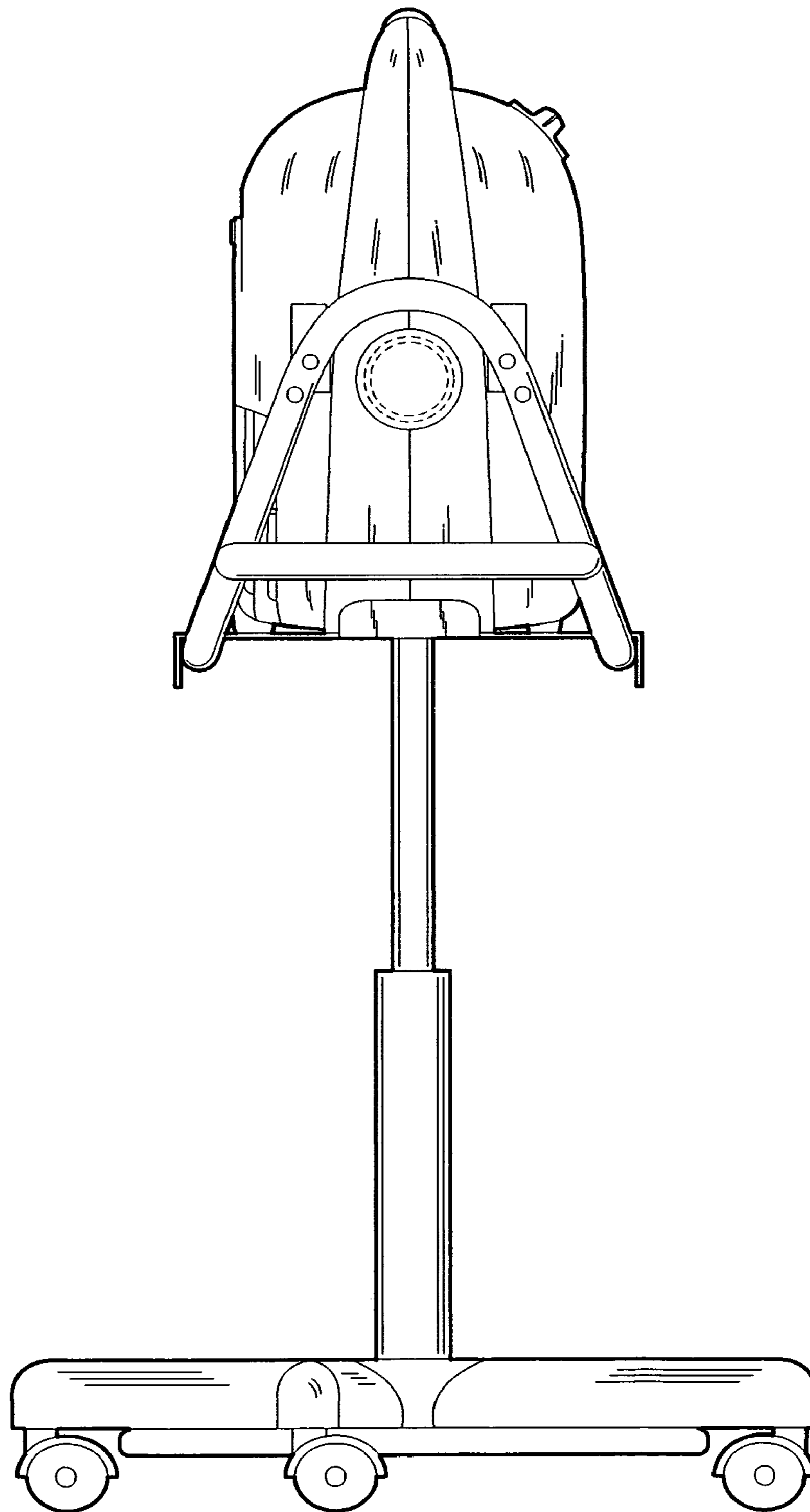


FIG. 4

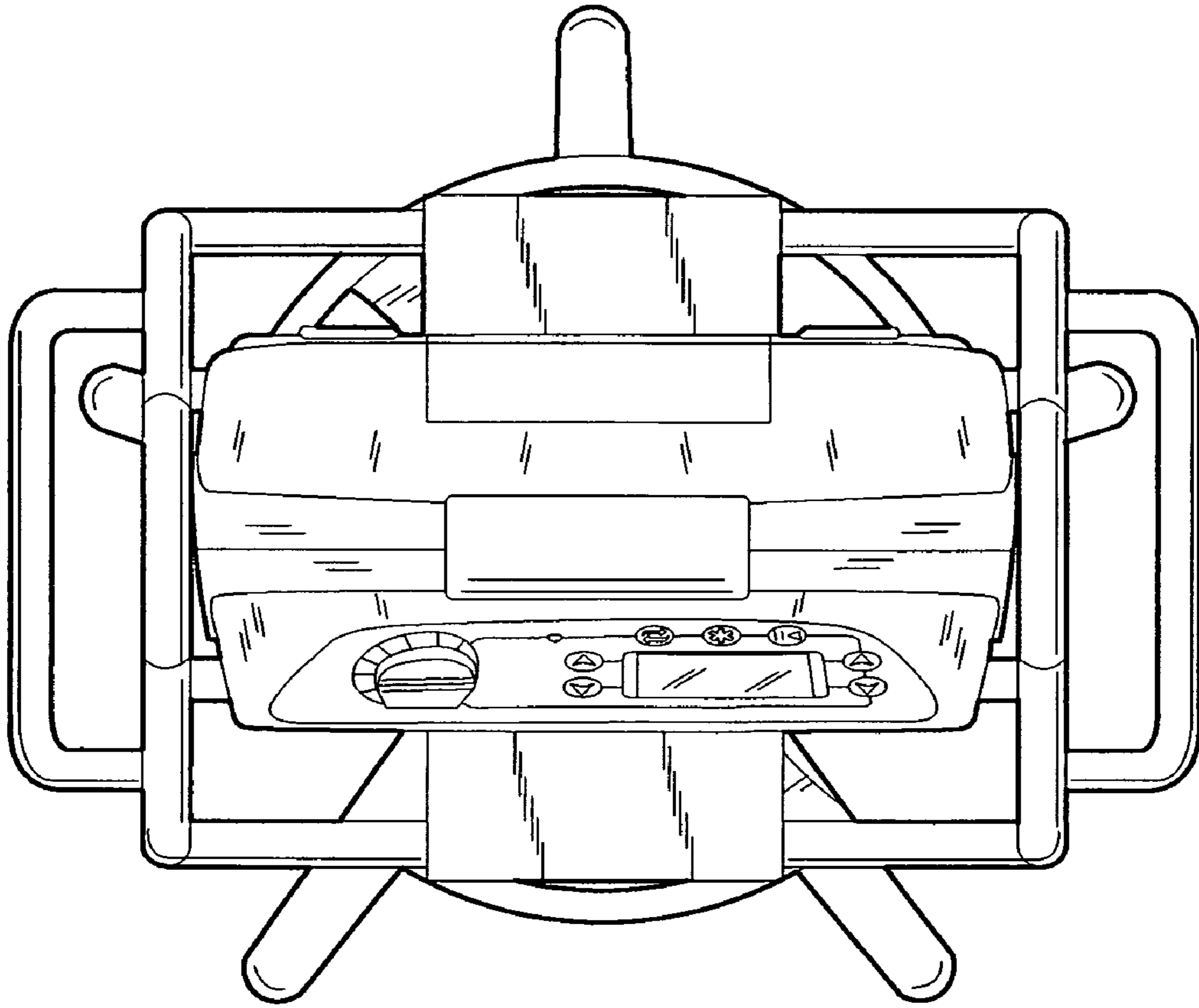


FIG. 5

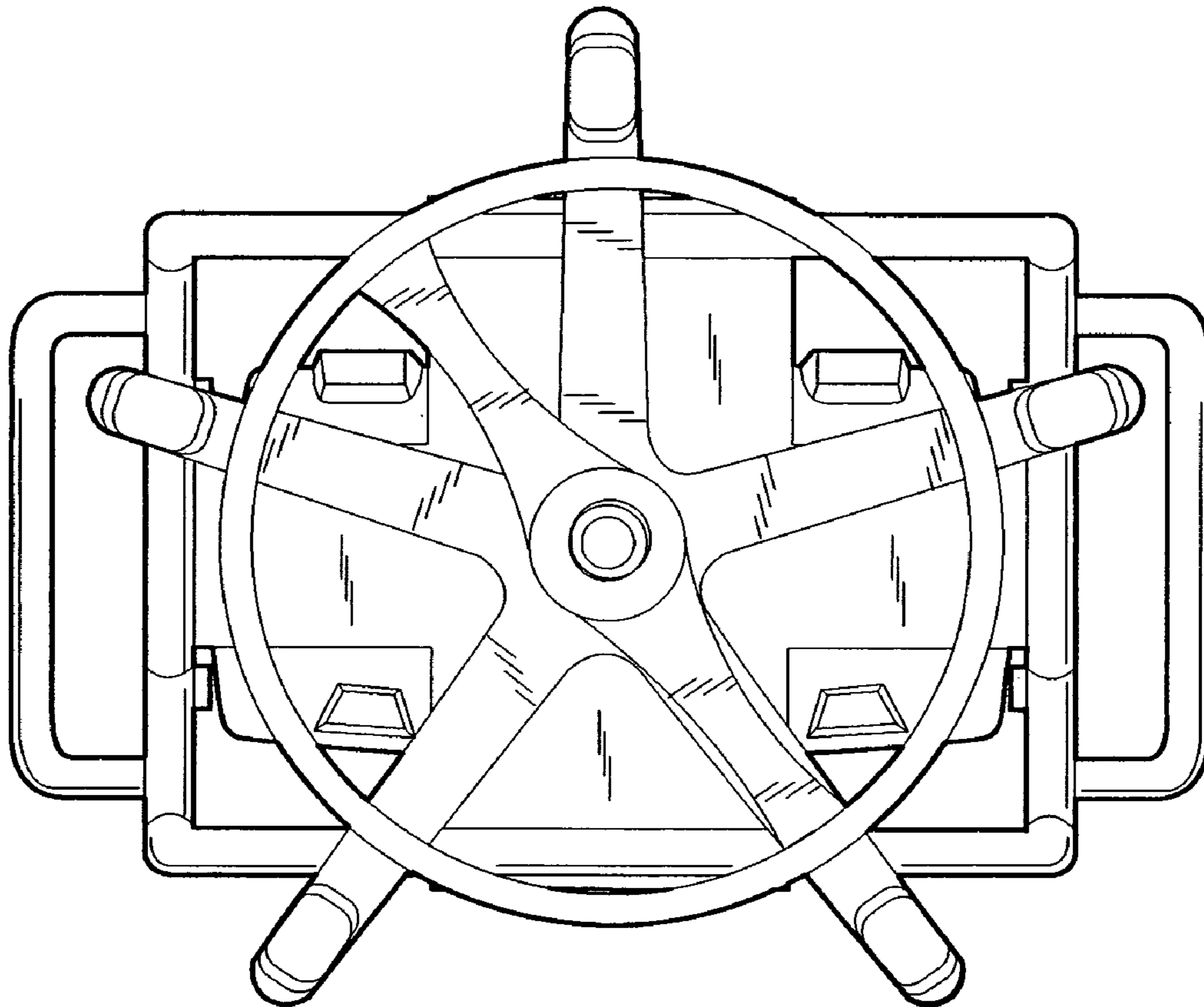


FIG. 6

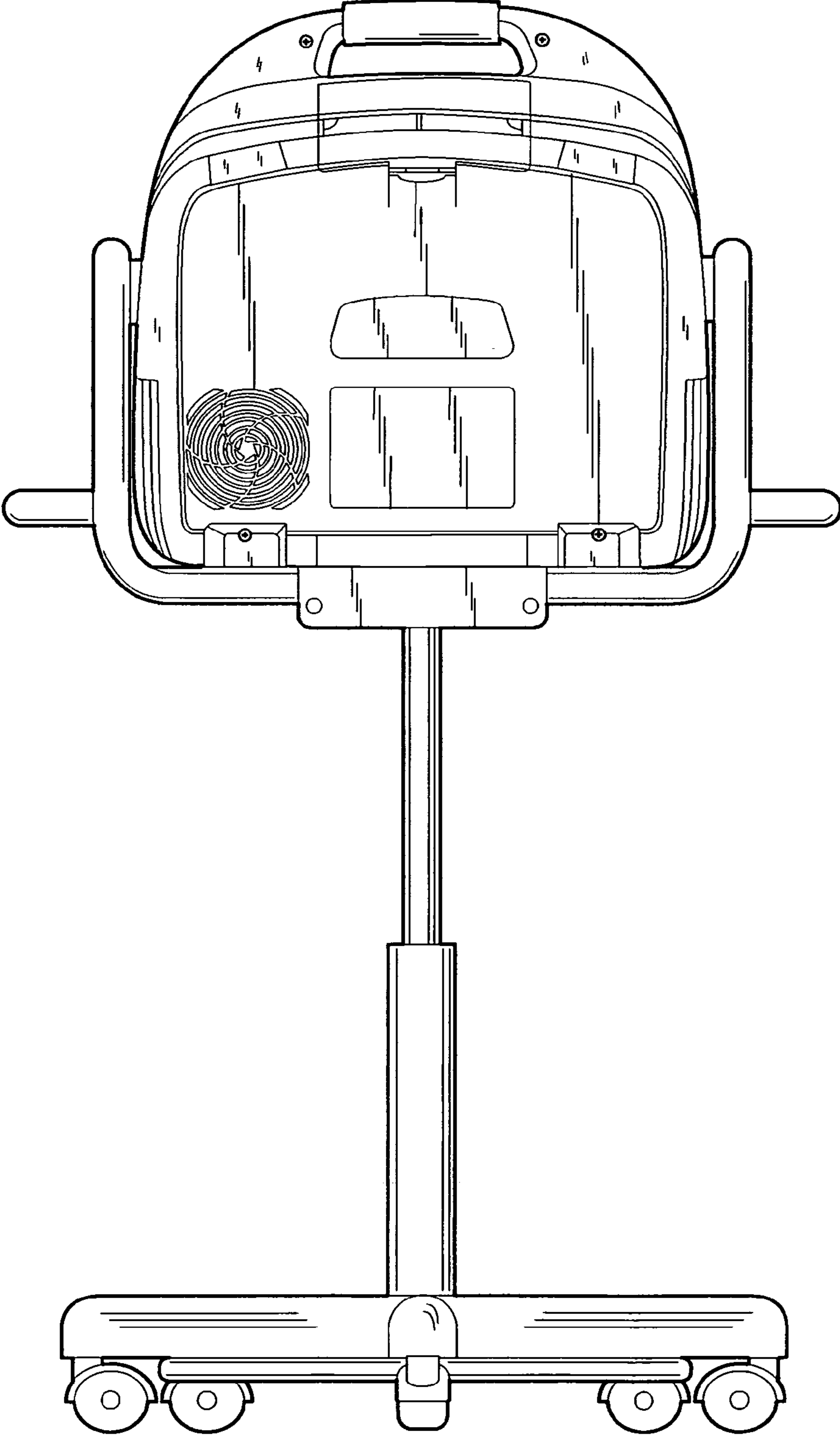


FIG. 7