



US00D585989S

(12) **United States Design Patent**
Leroy

(10) **Patent No.:** **US D585,989 S**

(45) **Date of Patent:** **** Feb. 3, 2009**

(54) **MEDICAL INSTRUMENT**

(75) Inventor: **Joel Jules Louis Leroy**, Bully les Mines (FR)

(73) Assignee: **Karl Storz GmbH & Co. KG** (DE)

(**) Term: **14 Years**

(21) Appl. No.: **29/277,900**

(22) Filed: **Mar. 13, 2007**

(30) **Foreign Application Priority Data**

Sep. 13, 2006 (EM) 000587928

(51) **LOC (9) Cl.** **24-02**

(52) **U.S. Cl.** **D24/146; D24/147**

(58) **Field of Classification Search** D24/137, D24/138, 143, 144, 145, 146, 147, 148, 130, D24/133, 112, 140; 606/139, 144, 148
See application file for complete search history.

(56) **References Cited**

U.S. PATENT DOCUMENTS

- 724,522 A * 4/1903 Thomas 604/46
- D219,252 S * 11/1970 Bogoff D24/112
- D282,285 S * 1/1986 Levy D24/112
- 5,250,035 A * 10/1993 Smith et al. 604/168.01
- D351,022 S * 9/1994 Saito D24/146
- D353,668 S * 12/1994 Banks et al. D24/112
- 5,466,241 A * 11/1995 Leroy et al. 606/139
- 6,086,584 A * 7/2000 Miller 606/41

7,147,646 B2 * 12/2006 Dana et al. 606/148
2006/0287657 A1 * 12/2006 Bachman 606/139

* cited by examiner

Primary Examiner—Ian Simmons

Assistant Examiner—Christopher Lee

(74) *Attorney, Agent, or Firm*—St. Onge Steward Johnston & Reens LLC

(57) **CLAIM**

The ornamental design for medical instrument, as shown and described.

DESCRIPTION

FIG. 1 is a front isometric view of a medical instrument in accordance with the new design;

FIG. 2 is a top plan view thereof;

FIG. 3 is a bottom plan view thereof;

FIG. 4 is a left side elevation view thereof;

FIG. 5 is a right side elevation view thereof;

FIG. 6 is a front elevation view thereof;

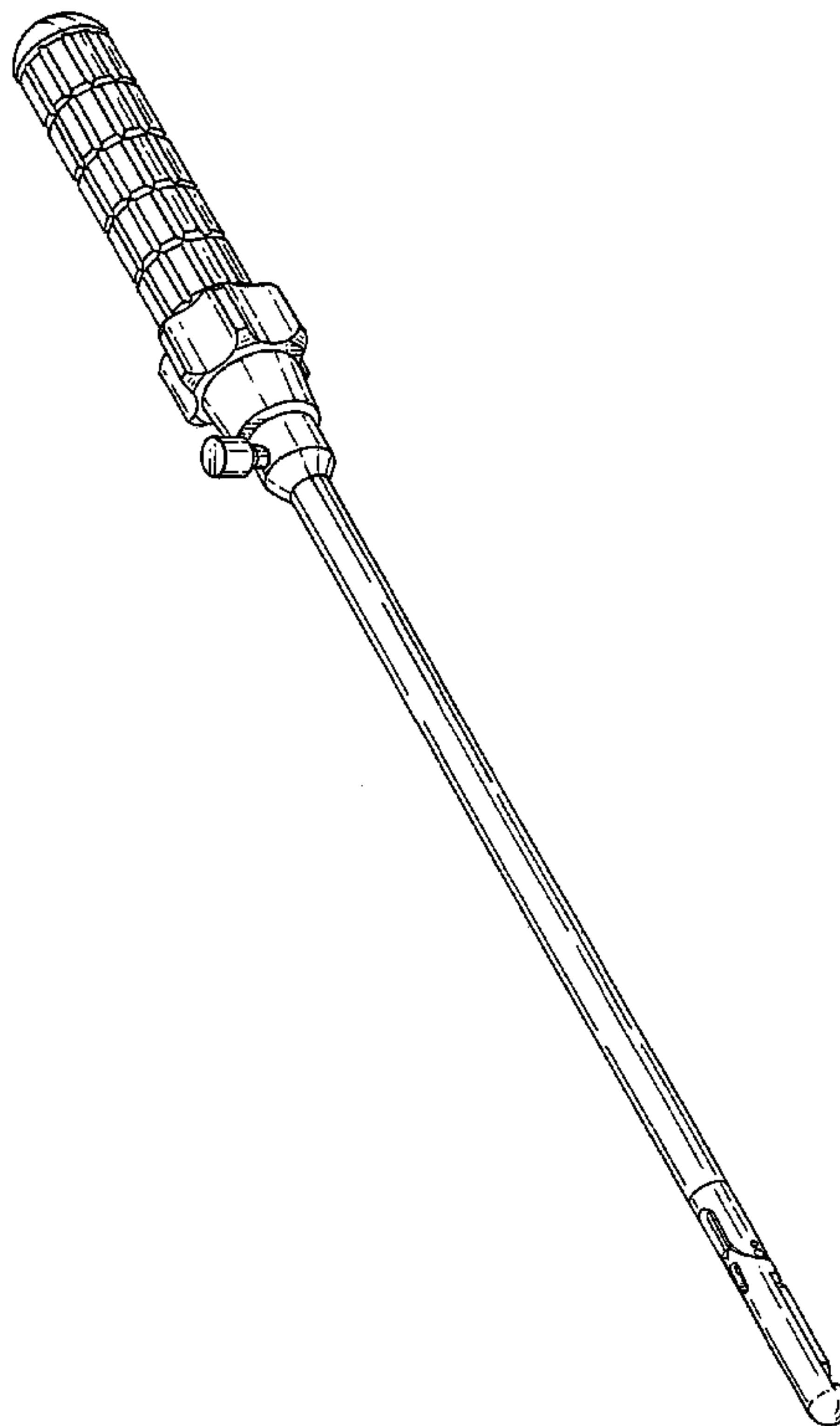
FIG. 7 is a rear elevation view thereof;

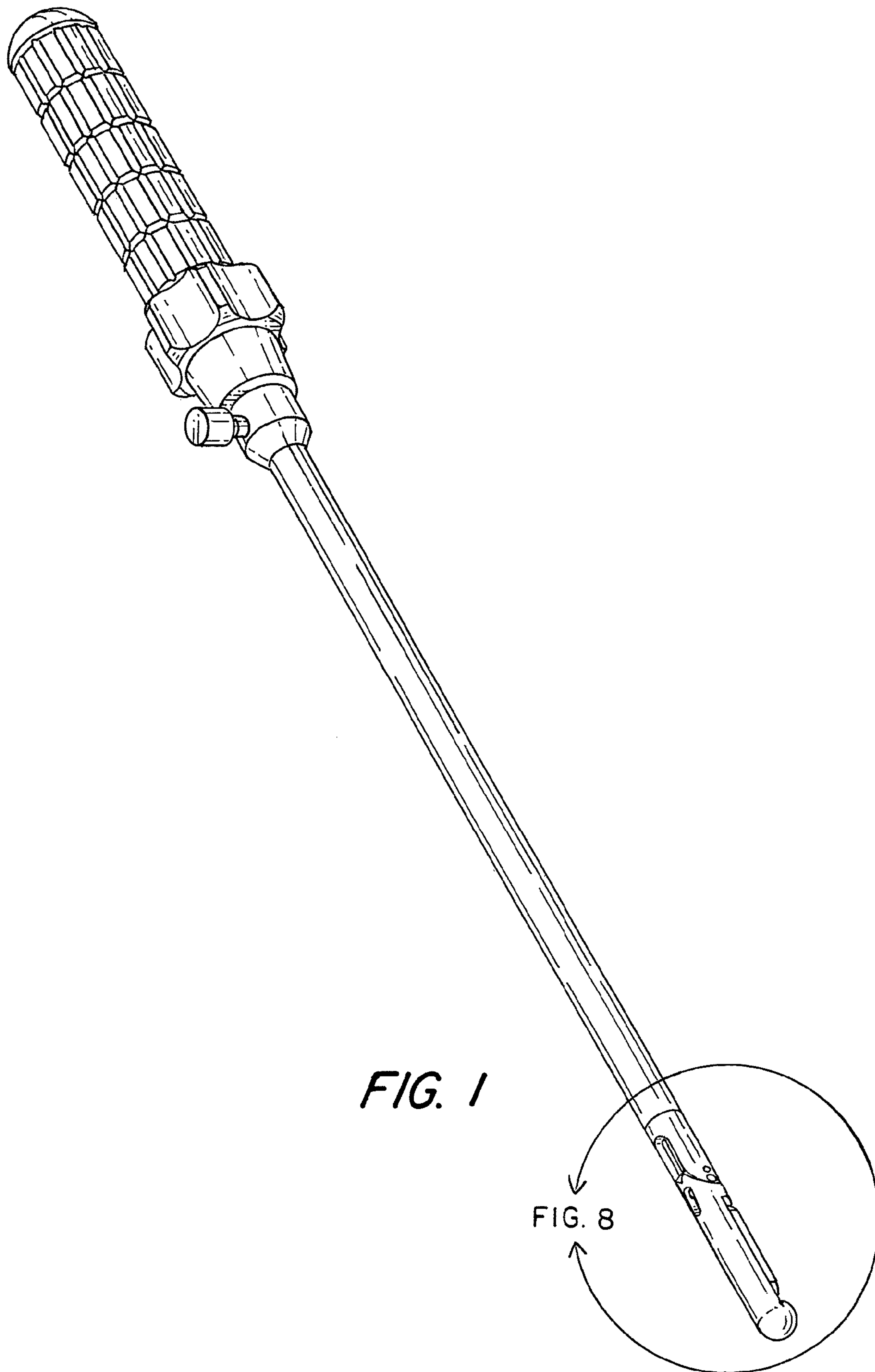
FIG. 8 is an enlarged perspective view of the area labeled "FIG. 8" in FIG. 1;

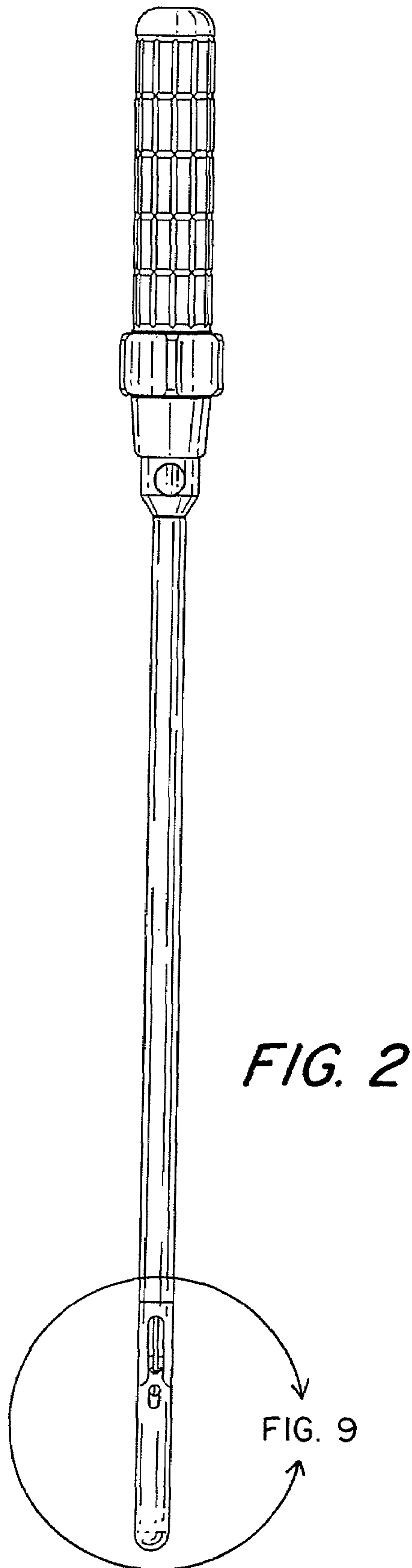
FIG. 9 is an enlarged top plan view of the area labeled "FIG. 9" in FIG. 2; and,

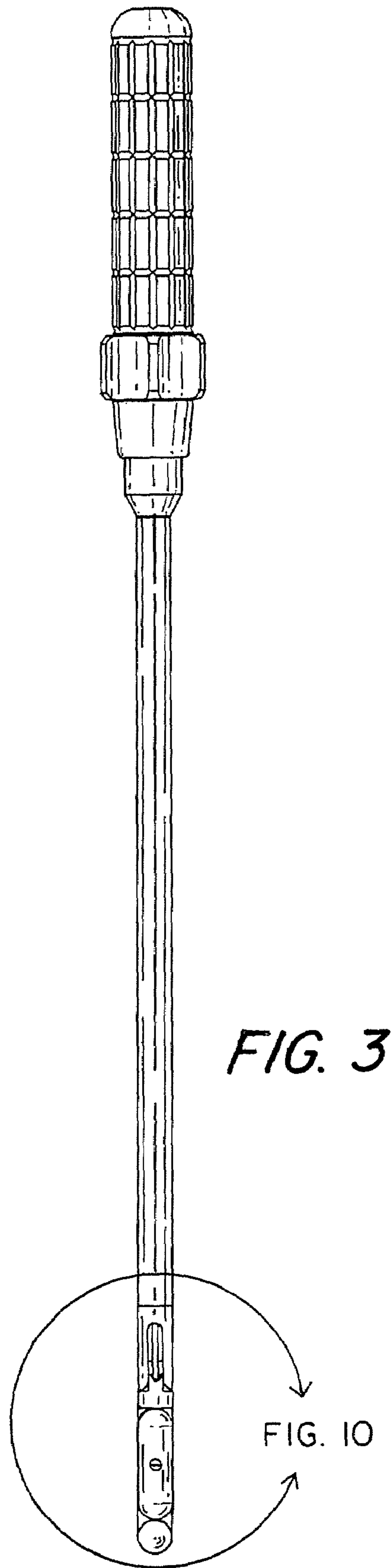
FIG. 10 is an enlarged bottom plan view of the area labeled "FIG. 10" in FIG. 3.

1 Claim, 10 Drawing Sheets









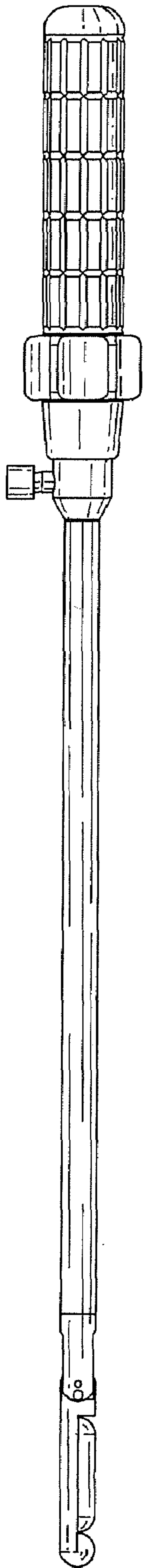


FIG. 4

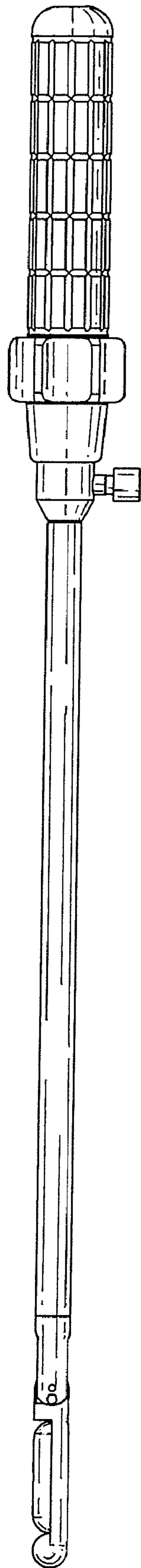


FIG. 5

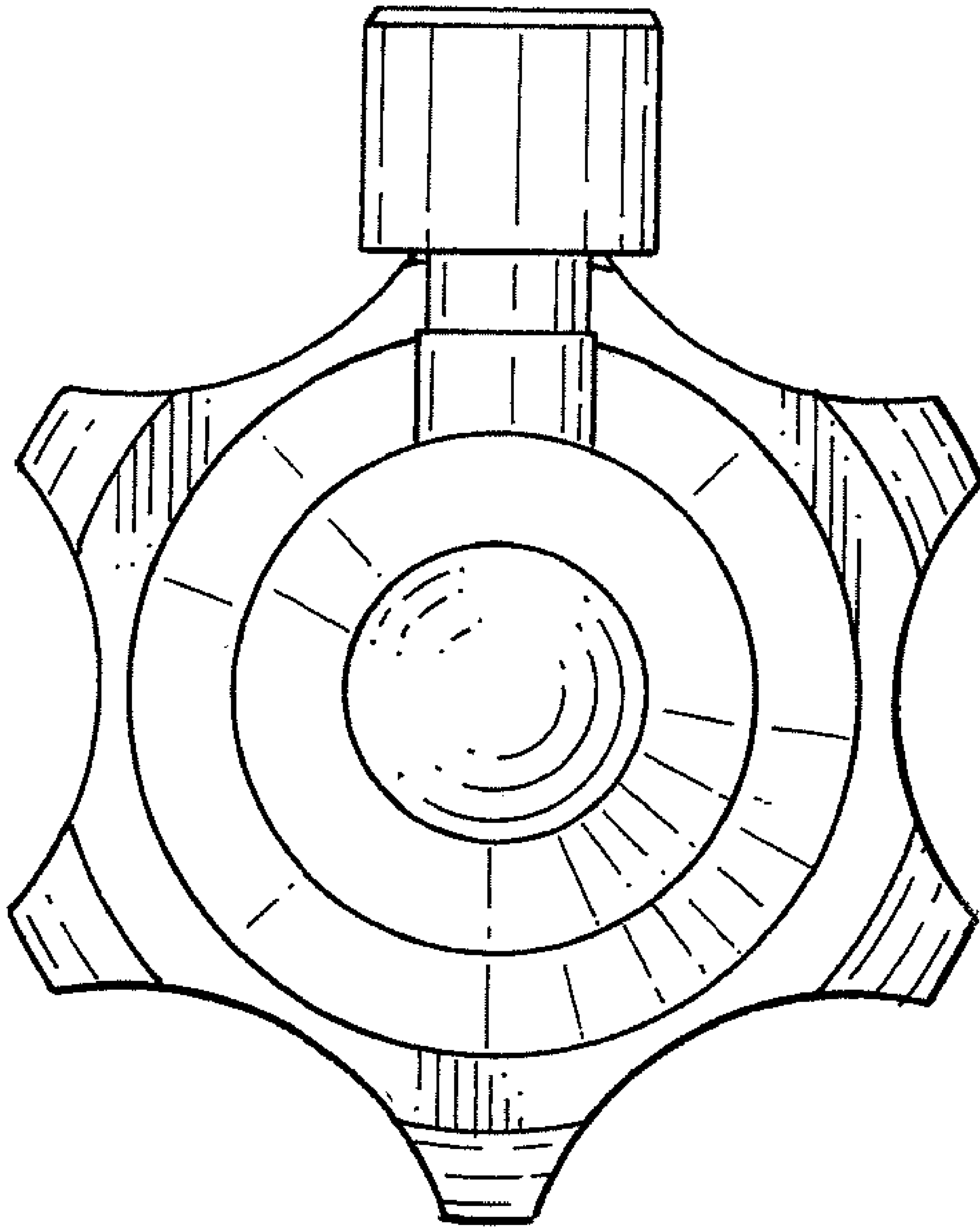


FIG. 6

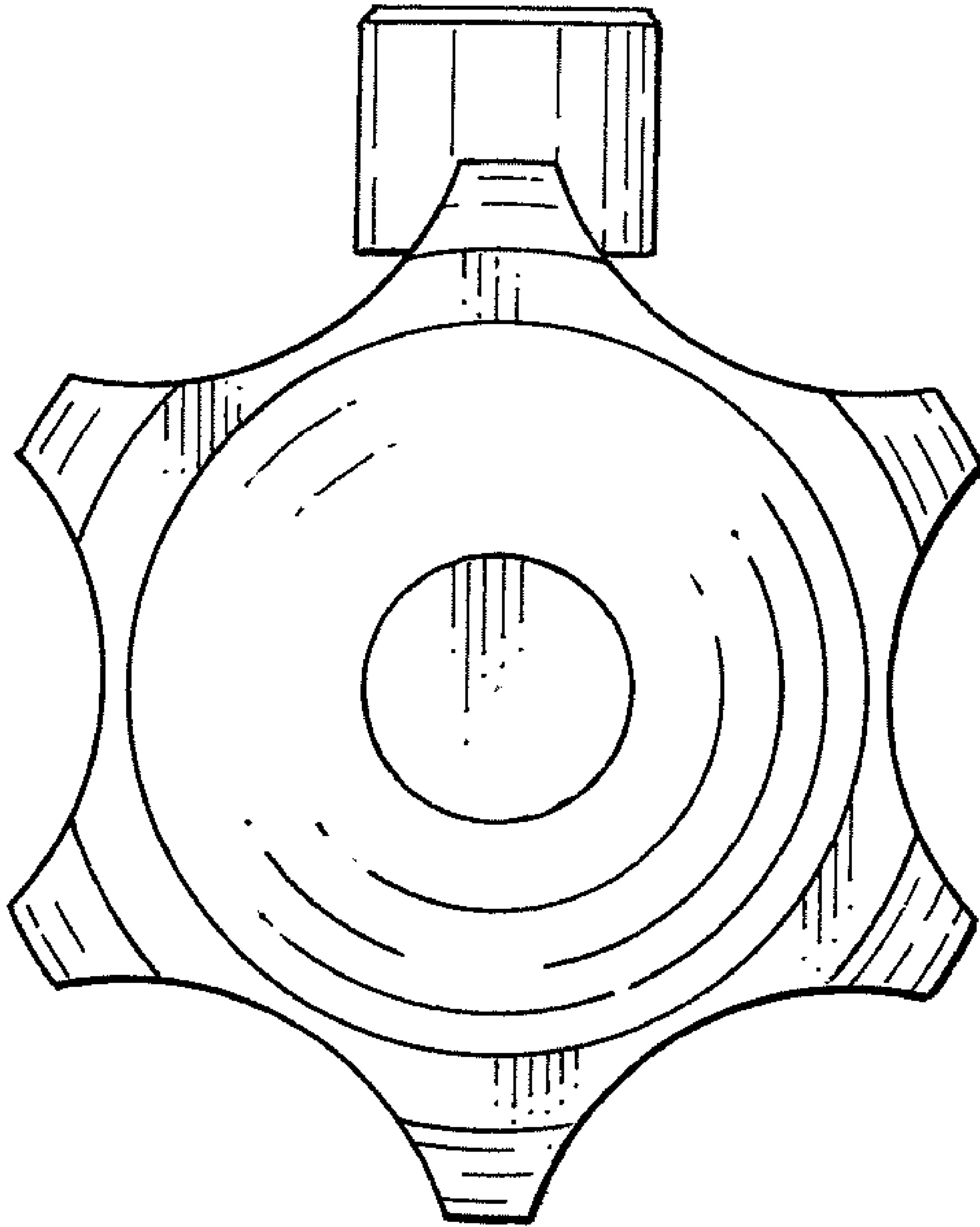


FIG. 7

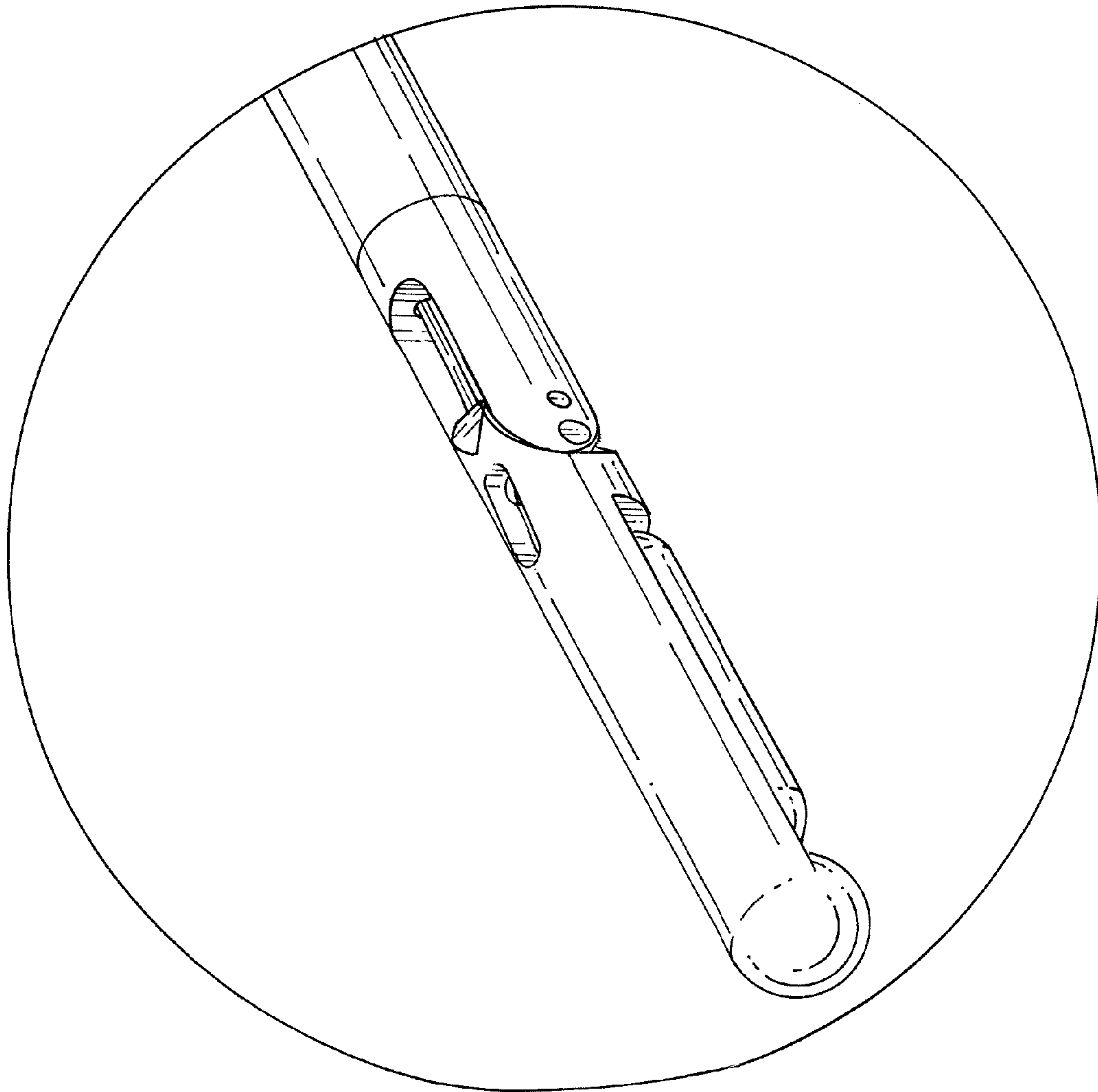


FIG. 8

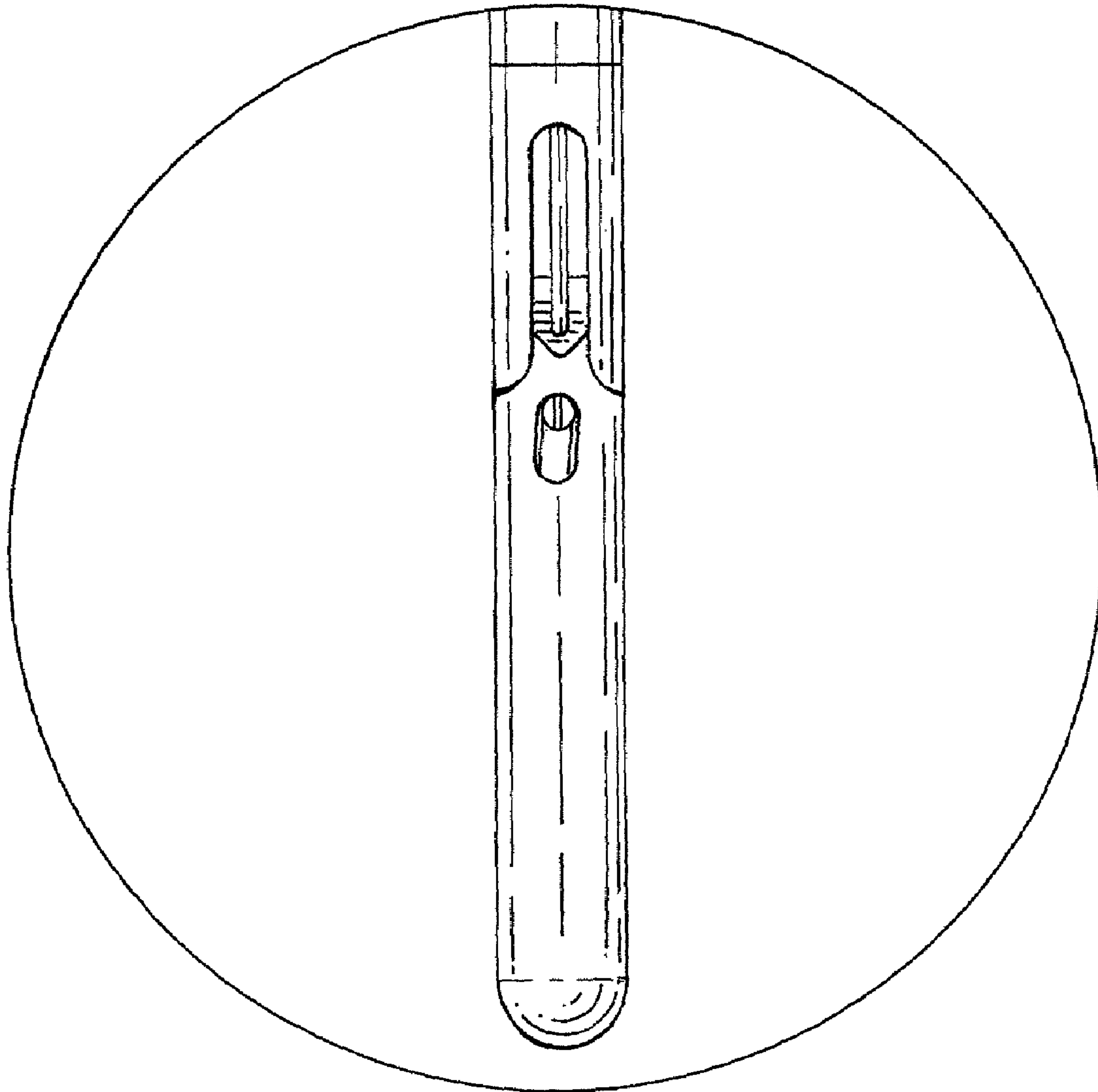


FIG. 9

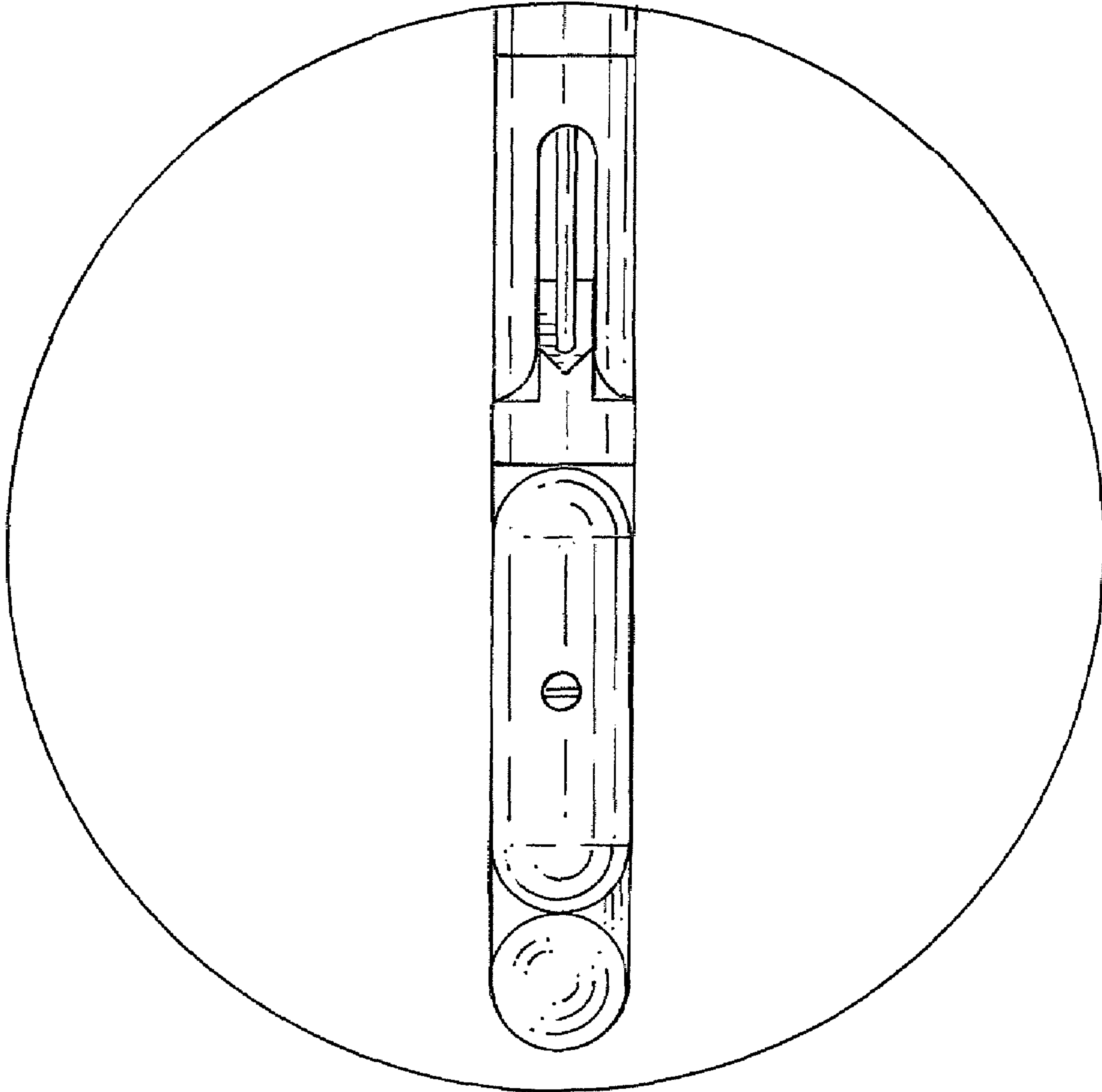


FIG. 10