



US00D585985S

(12) **United States Design Patent**
Aaberg et al.

(10) **Patent No.:** **US D585,985 S**

(45) **Date of Patent:** **** Feb. 3, 2009**

(54) **CONTROL UNIT**

(75) Inventors: **Anna Aaberg**, Lund (SE); **Magnus Goransson**, Malmo (SE); **Henrik Jeppesen**, Holte (DK)

(73) Assignee: **Coloplast A/S**, Humlebaek (DK)

(**) Term: **14 Years**

(21) Appl. No.: **29/273,799**

(22) Filed: **Mar. 14, 2007**

(51) **LOC (9) Cl.** **24-02**

(52) **U.S. Cl.** **D24/129**

(58) **Field of Classification Search** D24/129,
D24/108, 112, 113, 127, 133; D13/168;
128/DIG. 12; 604/93, 95, 131, 181, 246,
604/890.1; 251/117

See application file for complete search history.

(56) **References Cited**

U.S. PATENT DOCUMENTS

3,332,439	A *	7/1967	Burke	137/556
D251,734	S *	5/1979	McCaw et al.	D24/129
D263,335	S *	3/1982	Bujan	D24/129
D271,421	S *	11/1983	Fetterman	D24/129
4,802,506	A *	2/1989	Aslanian	137/556
5,356,376	A *	10/1994	Milijasevic et al.	604/30
5,499,968	A *	3/1996	Milijasevic et al.	604/30
D445,182	S *	7/2001	Haynes	D24/129
D558,306	S *	12/2007	McCluskey et al.	D23/264

* cited by examiner

Primary Examiner—Louis S Zarfaz

Assistant Examiner—Eric L Goodman

(74) *Attorney, Agent, or Firm*—Jacobson Holman PLLC

(57) **CLAIM**

The ornamental design for a control unit, as shown and described.

DESCRIPTION

FIG. 1 is a perspective view, showing my new design for a control unit, the portions shown in dotted lines are for illustrative purposes only and do not form any part of the invention,

FIG. 2 is a top view thereof, the portions shown in dotted lines are for illustrative purposes only and do not form any part of the invention,

FIG. 3 is a bottom view thereof, the portions shown in dotted lines are for illustrative purposes only and do not form any part of the invention,

FIG. 4 is a front view thereof, the portions shown in dotted lines are for illustrative purposes only and do not form any part of the invention,

FIG. 5 is a rear view thereof, the portions shown in dotted lines are for illustrative purposes only and do not form any part of the invention,

FIG. 6 is a left side view thereof, the portions shown in dotted lines are for illustrative purposes only and do not form any part of the invention,

FIG. 7 is a right side view thereof, the portions shown in dotted lines are for illustrative purposes only and do not form any part of the invention,

FIG. 8 is a shifted right side view to illustrate a connector part, the portions shown in dotted lines are for illustrative purposes only and do not form any part of the invention; and,

FIG. 9 is a shifted left side view to illustrate another connector part, the portions shown in dotted lines are for illustrative purposes only and do not form any part of the invention.

1 Claim, 6 Drawing Sheets

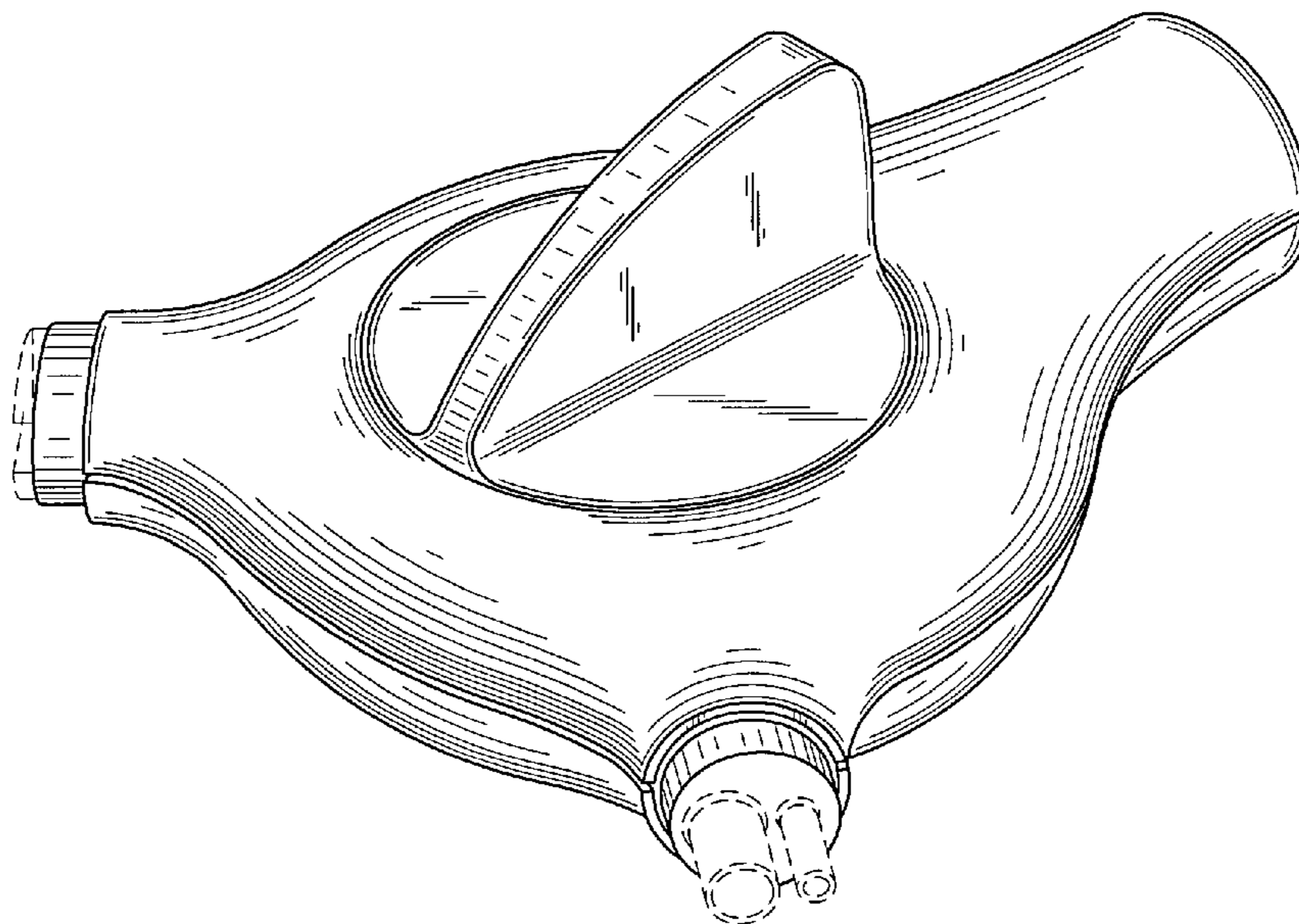


FIG. 1

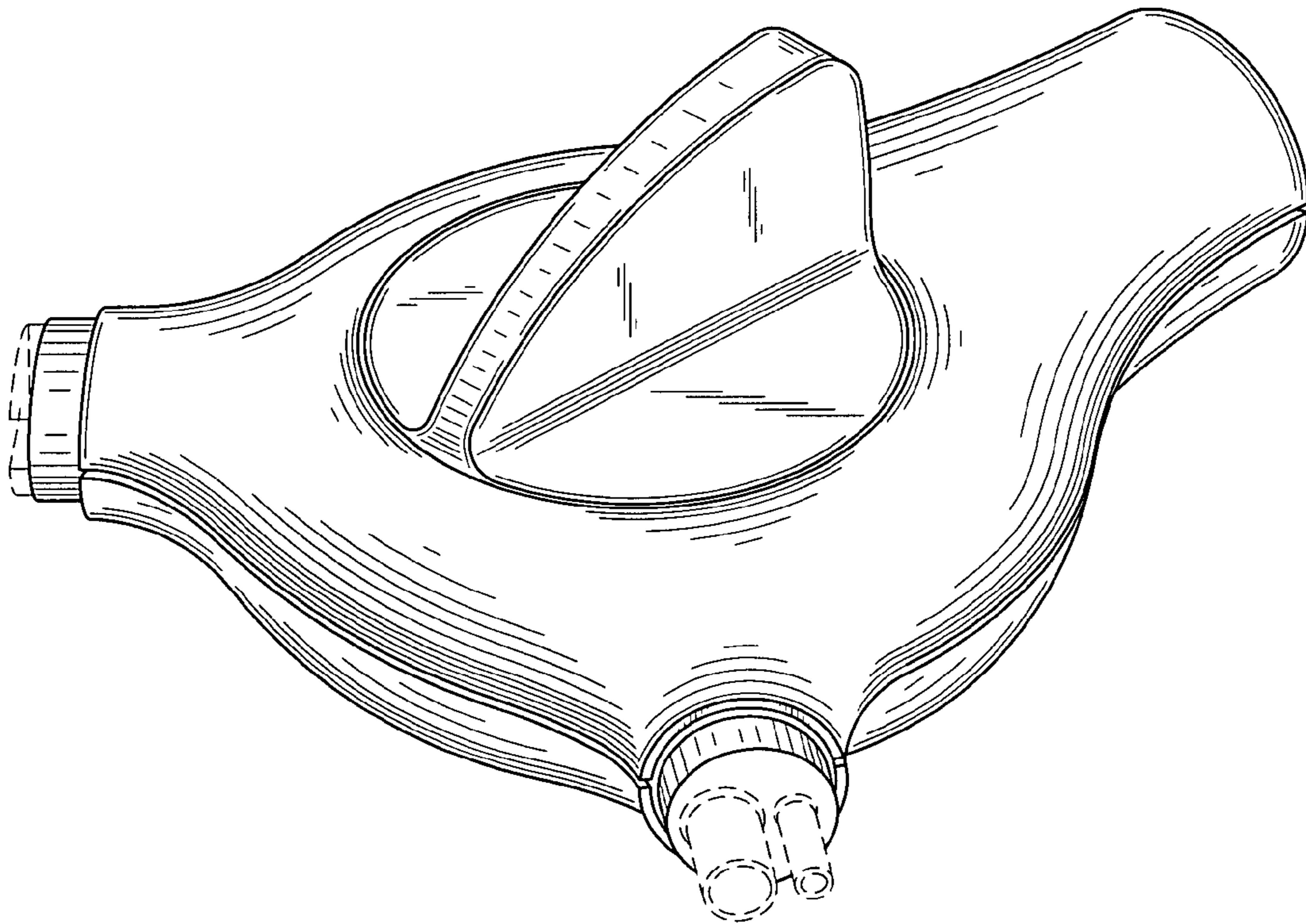


FIG. 2

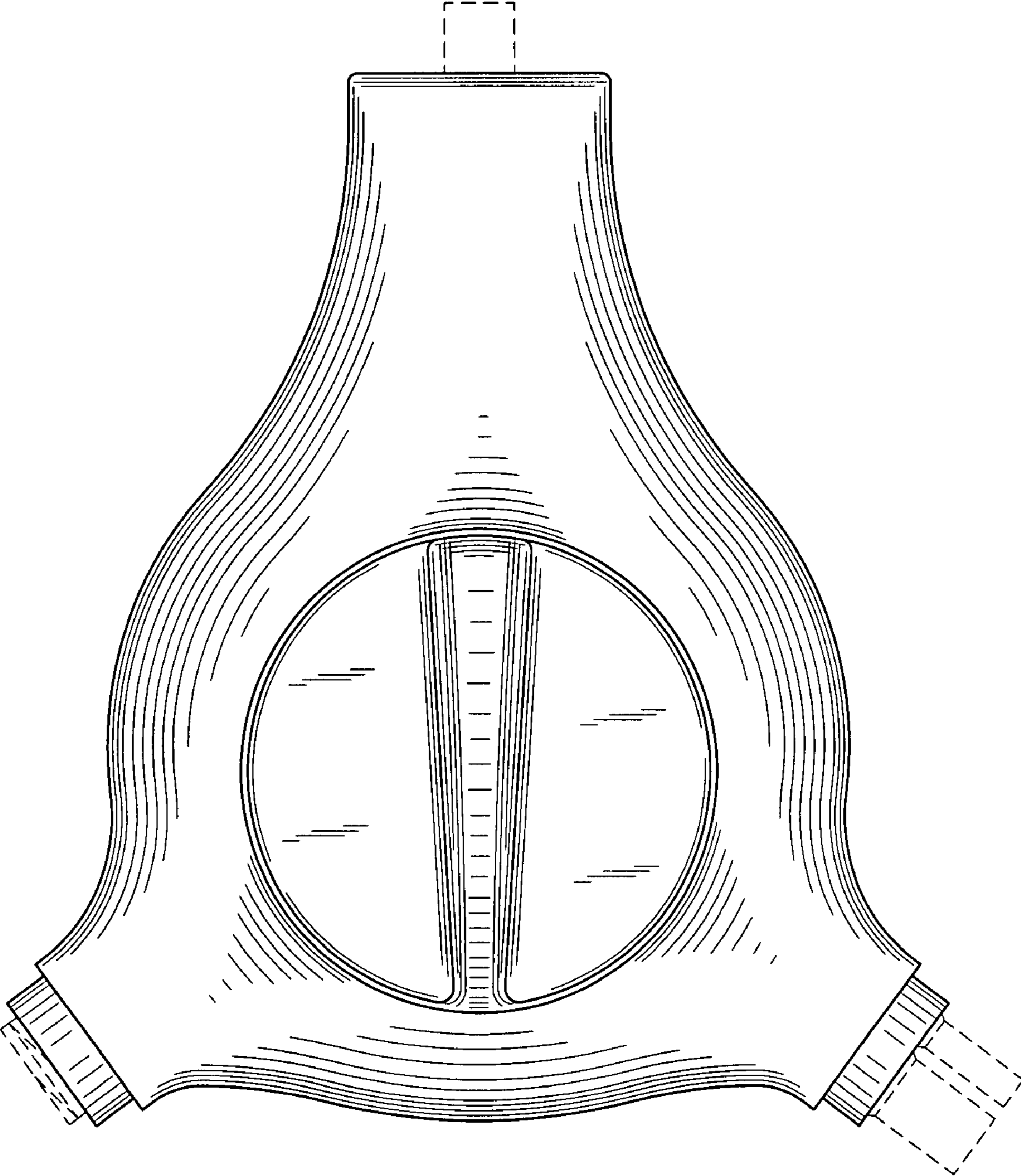


FIG. 3

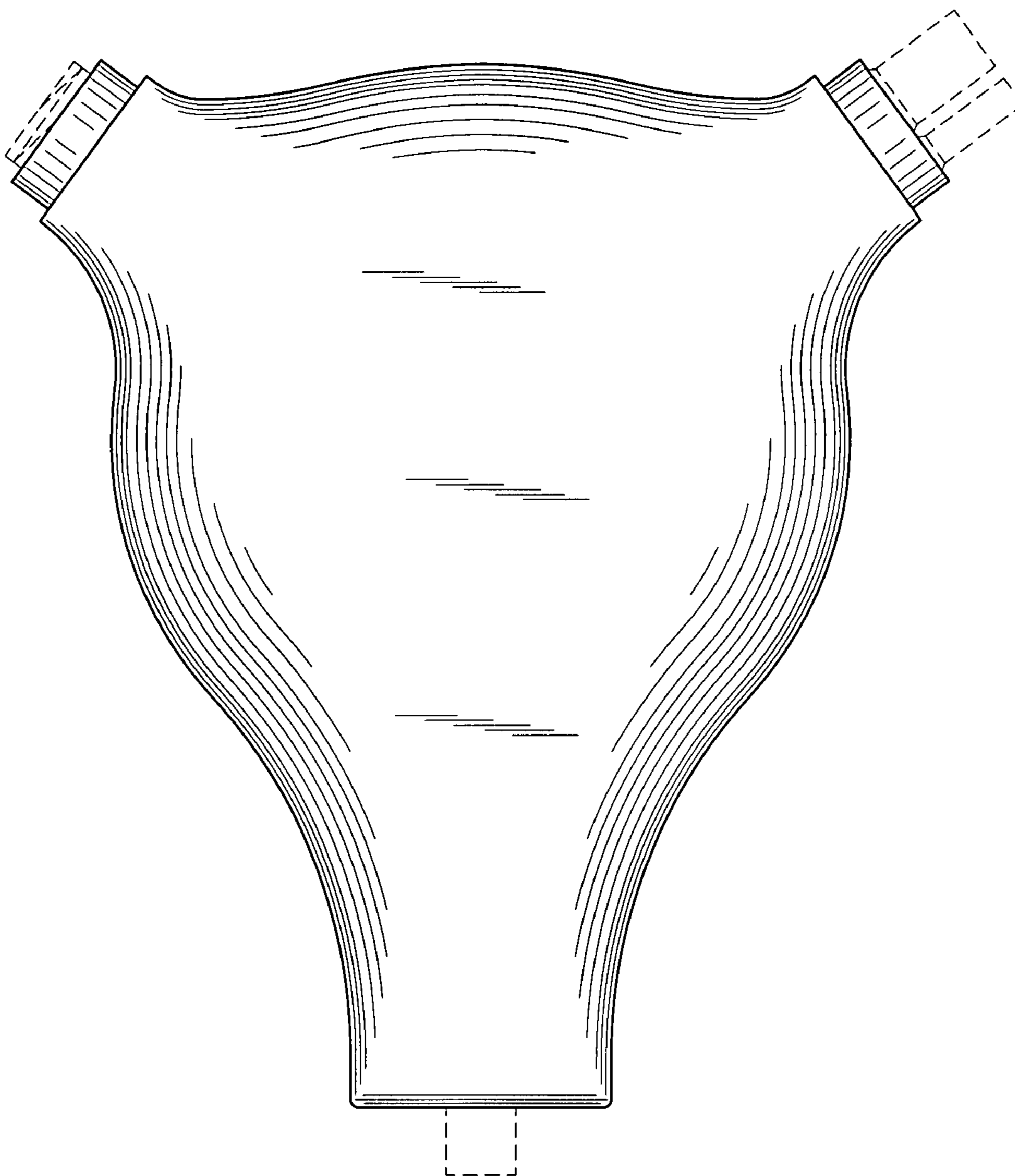


FIG. 4

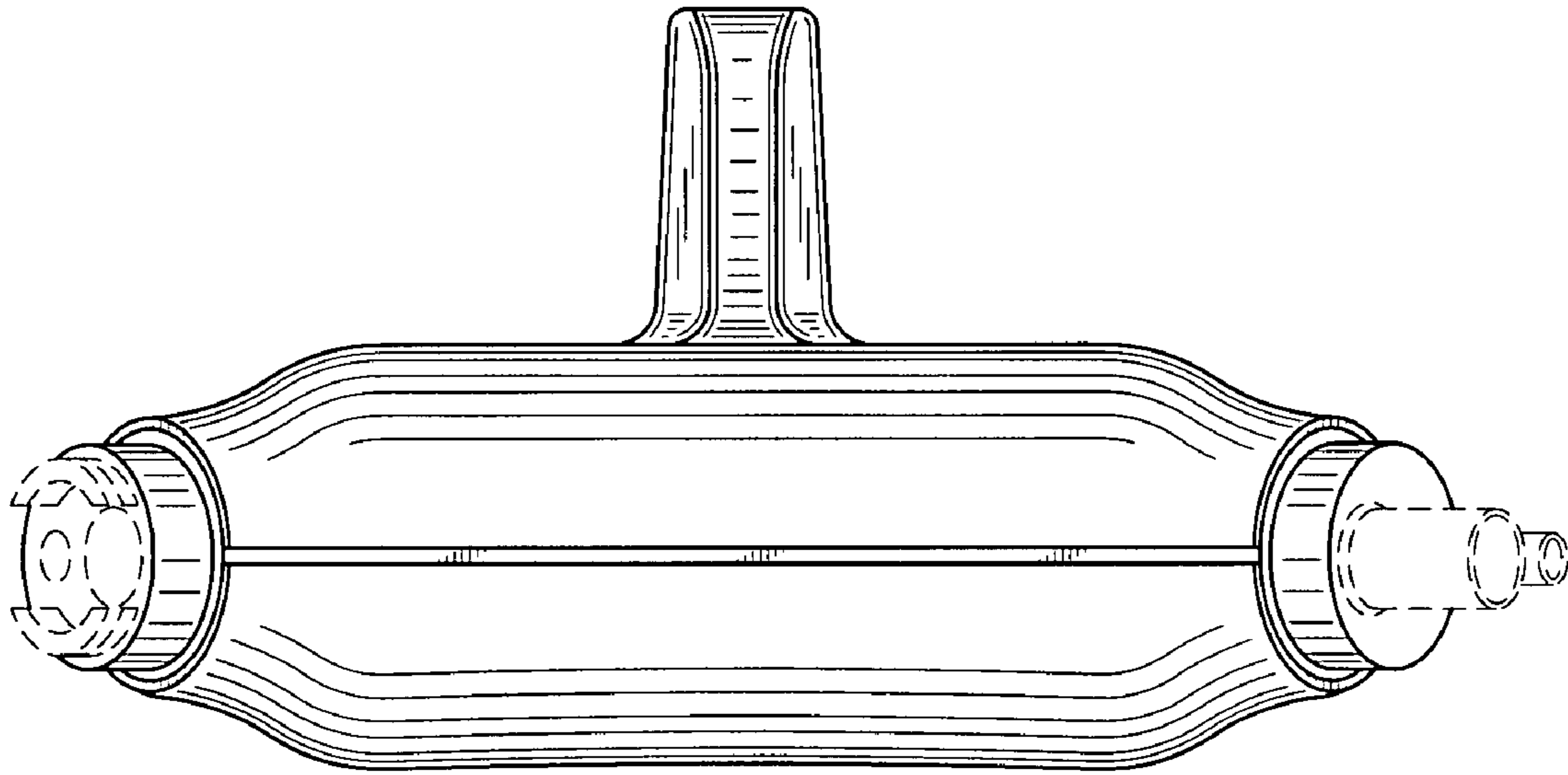


FIG. 5

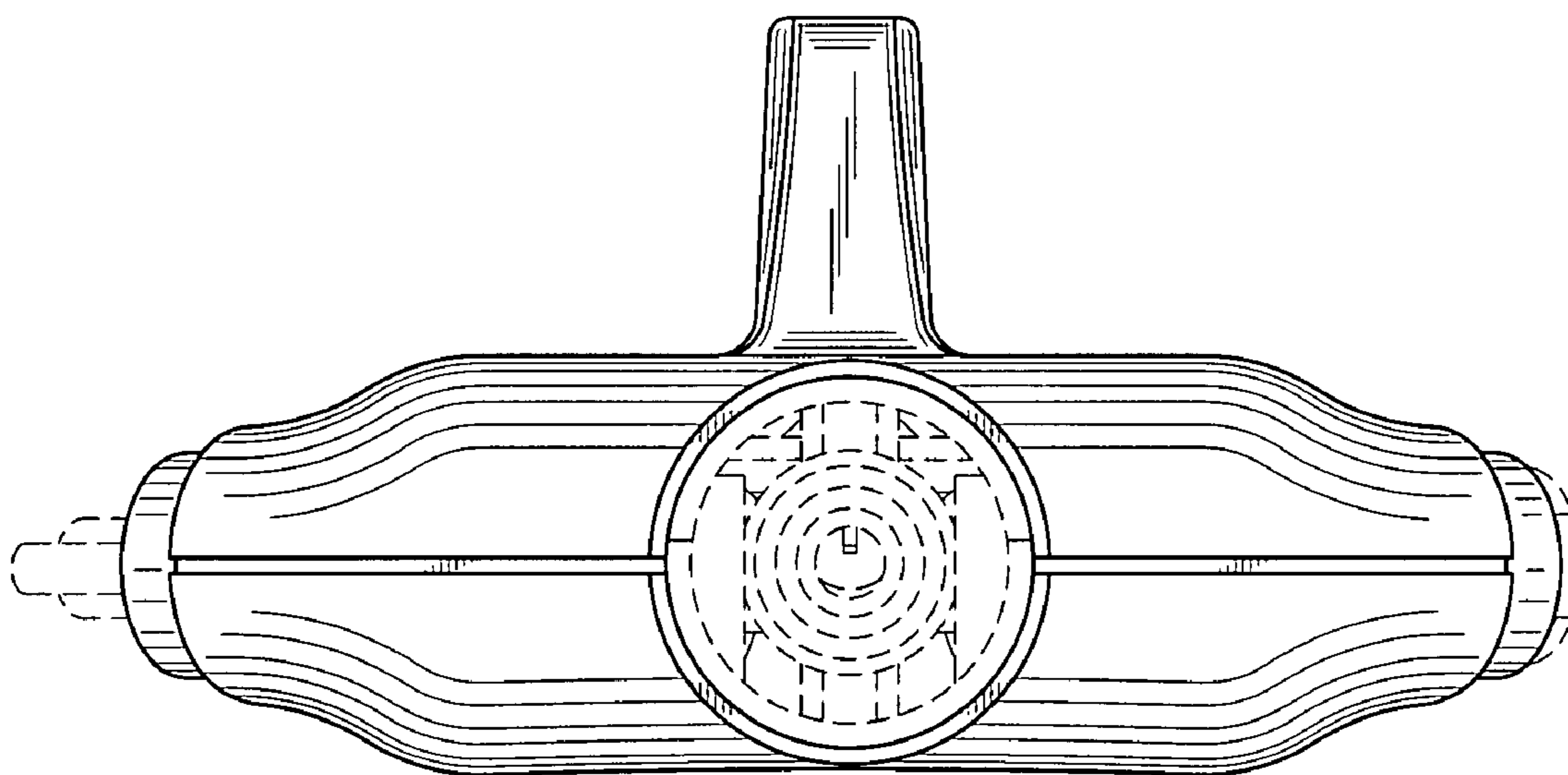


FIG. 6

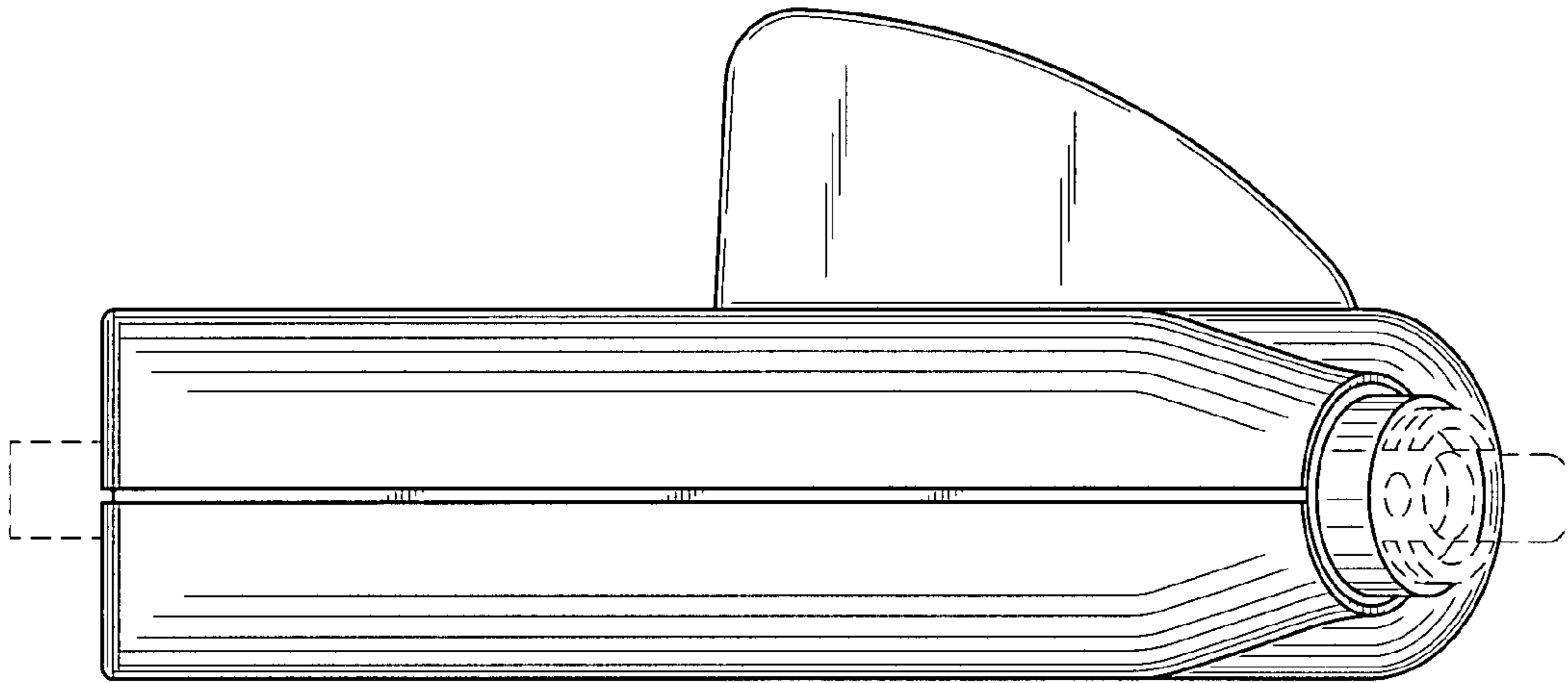


FIG. 7

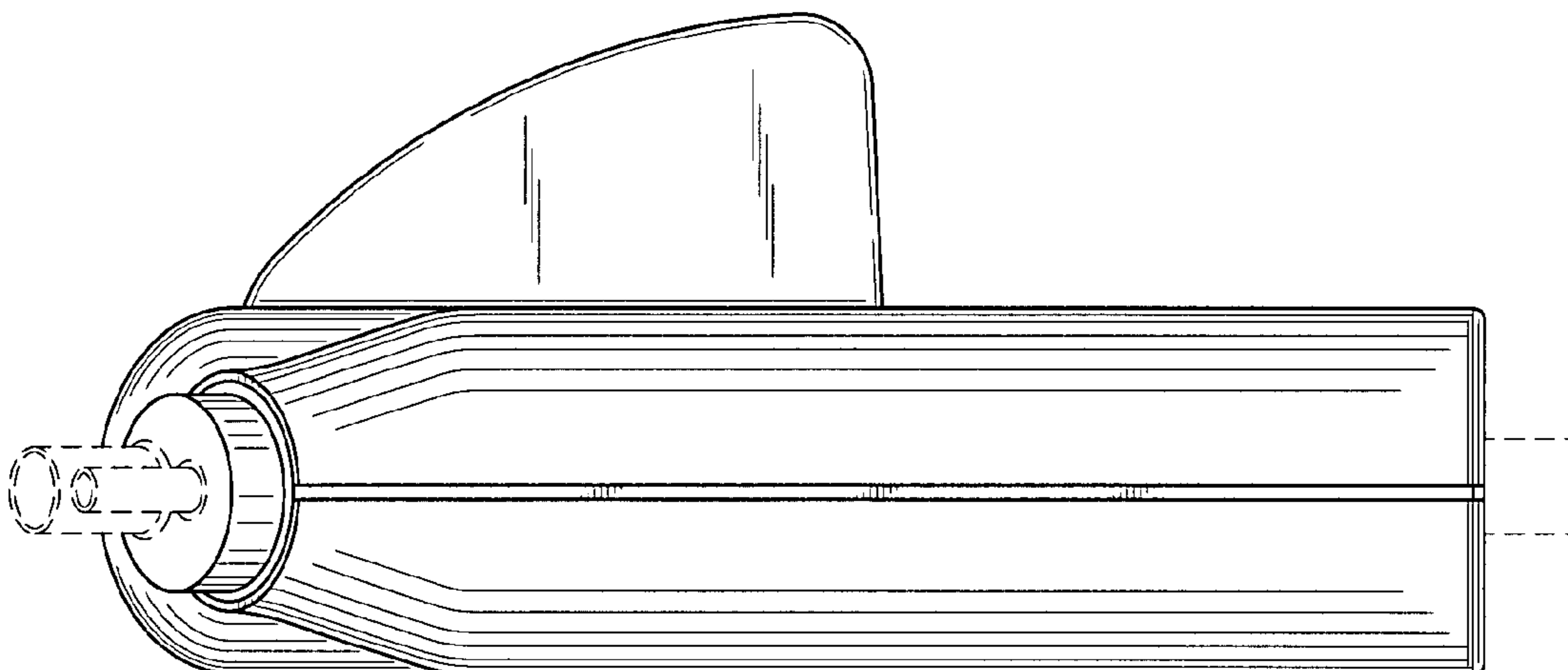


FIG. 8

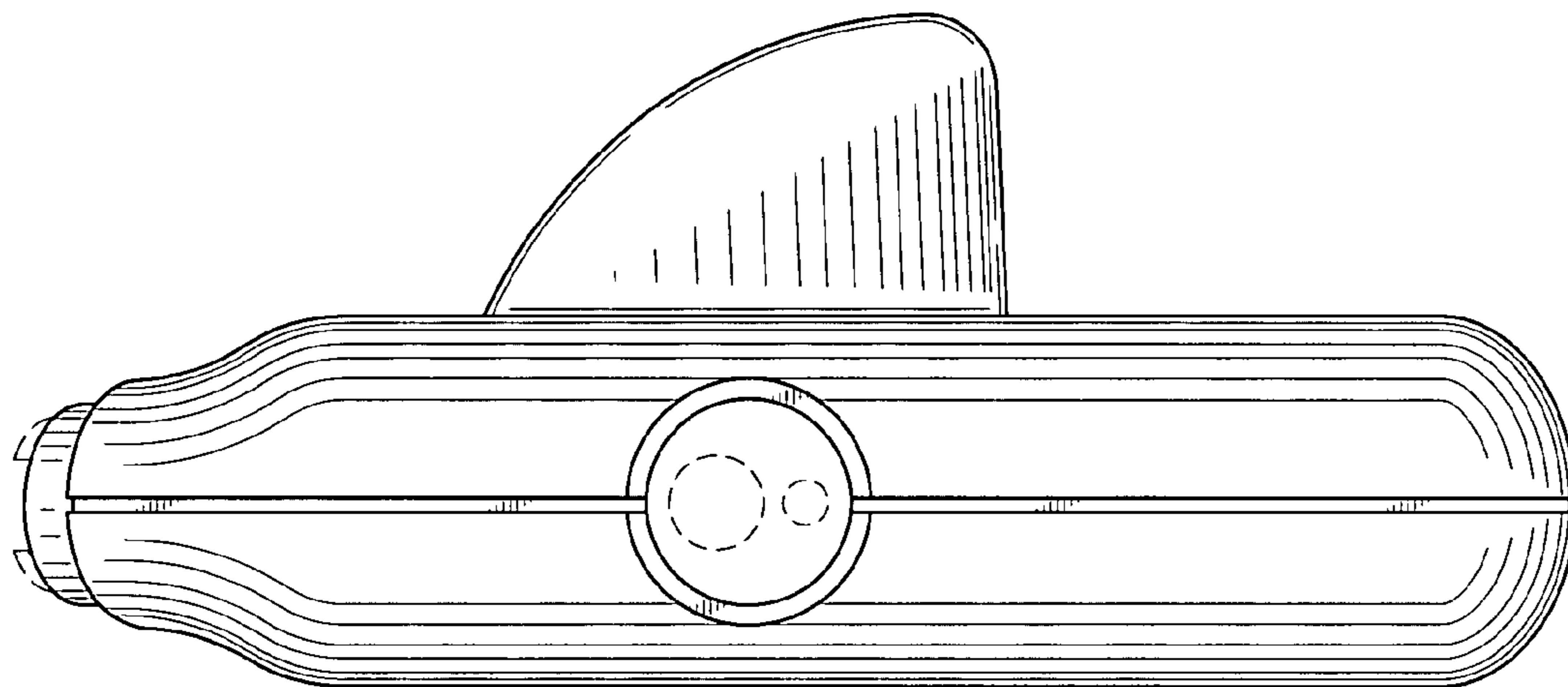


FIG. 9

