

US00D585983S

(12) **United States Design Patent**
Wang

(10) **Patent No.:** **US D585,983 S**

(45) **Date of Patent:** **** Feb. 3, 2009**

(54) **SYRINGE WITH DISPOSABLE COMPONENTS**

(75) Inventor: **Hsien Tsung Wang**, Taipei (TW)

(73) Assignee: **Hong Kong Hua Tuo Technology Co., Ltd.**, Sheung Wan (HK)

(**) Term: **14 Years**

(21) Appl. No.: **29/319,955**

(22) Filed: **Jun. 18, 2008**

(51) **LOC (9) Cl.** **24-02**

(52) **U.S. Cl.** **D24/114**

(58) **Field of Classification Search** D24/114,
D24/112, 133, 113, 186, 104, 130; 606/181,
606/185; 604/232, 187

See application file for complete search history.

(56) **References Cited**

U.S. PATENT DOCUMENTS

3,388,941	A *	6/1968	Marcus	D24/114
D306,069	S *	2/1990	Kelly et al.	D24/114
5,695,477	A *	12/1997	Sfikas	604/187
D412,206	S *	7/1999	Basile et al.	D24/130
D465,281	S *	11/2002	Lang	D24/133
6,685,676	B2 *	2/2004	Jansen et al.	604/187
D505,200	S *	5/2005	Simpson et al.	D24/114

D536,447	S *	2/2007	Rehbein et al.	D24/133
D543,624	S *	5/2007	Khalaj	D24/130
D543,625	S *	5/2007	Numata et al.	D24/130
D557,337	S *	12/2007	Isaacs	D24/114
D562,447	S *	2/2008	Call et al.	D24/114
2008/0125722	A1 *	5/2008	Hess et al.	604/187

* cited by examiner

Primary Examiner—Louis S Zarfaz
Assistant Examiner—David G Muller

(57) **CLAIM**

The ornamental design for a syringe with disposable components, as shown.

DESCRIPTION

FIG. 1 is a perspective view of the syringe with disposable components of this invention;

FIG. 2 is a front view thereof;

FIG. 3 is a rear view thereof;

FIG. 4 is a right view thereof;

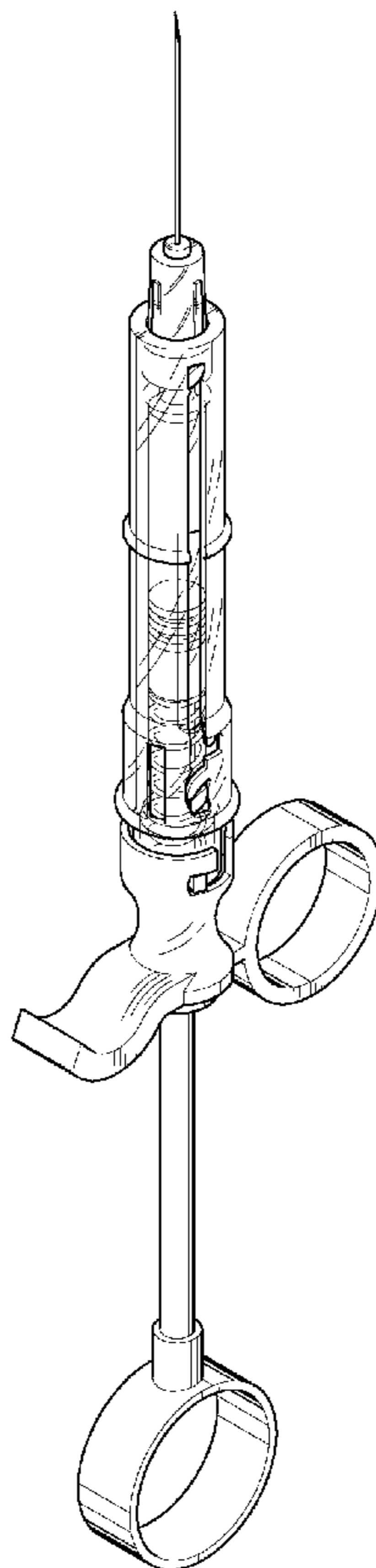
FIG. 5 is a left view thereof;

FIG. 6 is a top view thereof;

FIG. 7 is a bottom view thereof; and,

FIG. 8 is a perspective view thereof in an alternate position.

1 Claim, 4 Drawing Sheets



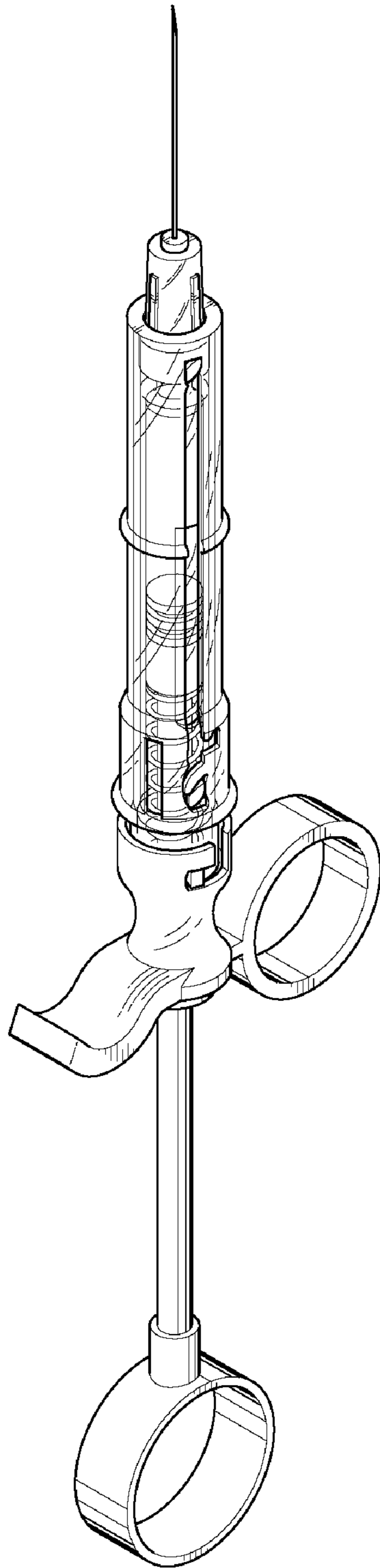


FIG. 1

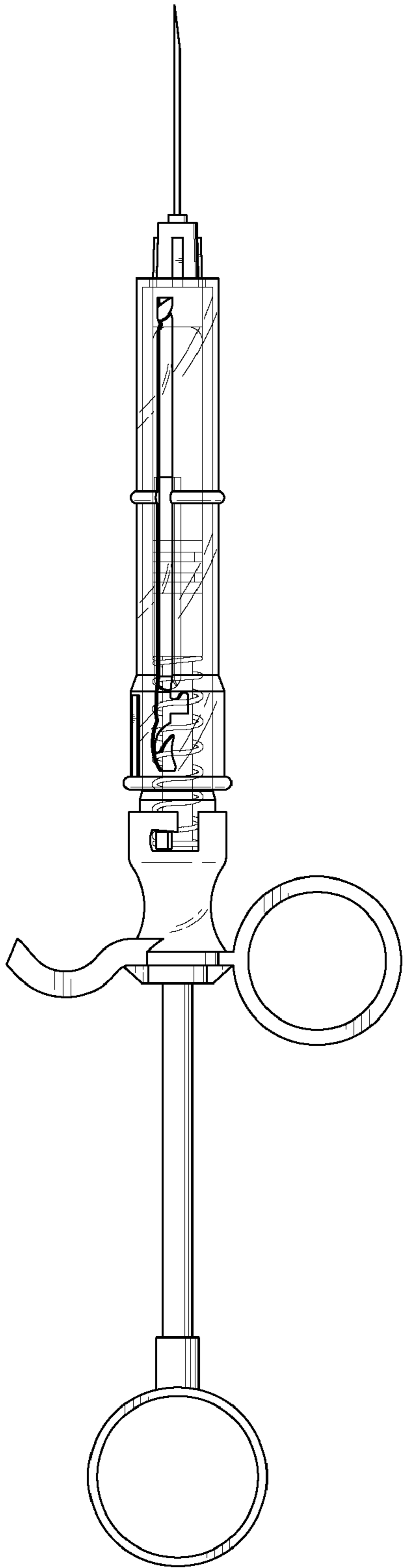


FIG. 2

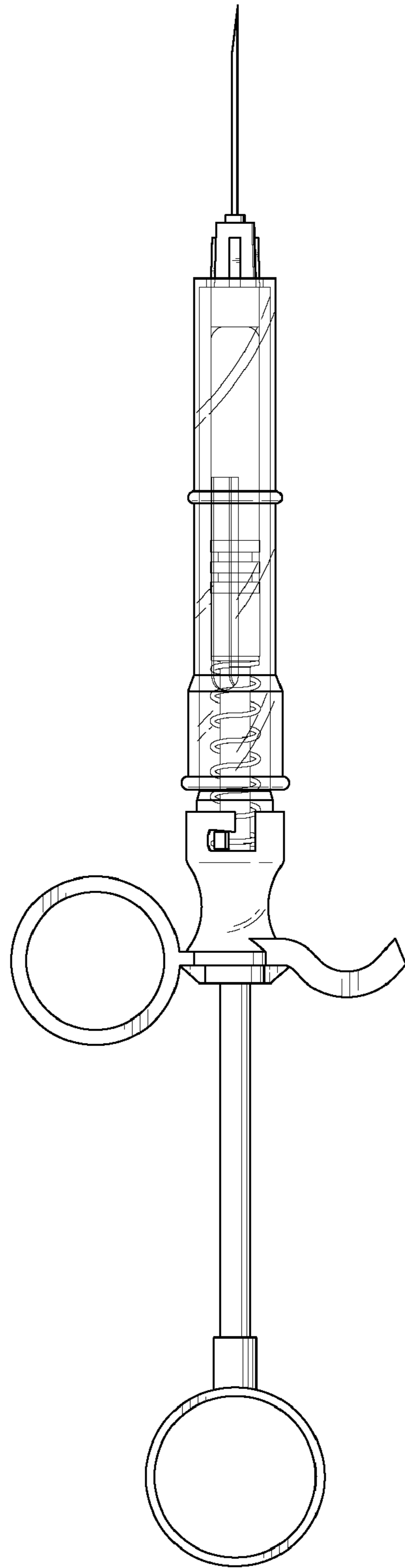


FIG. 3

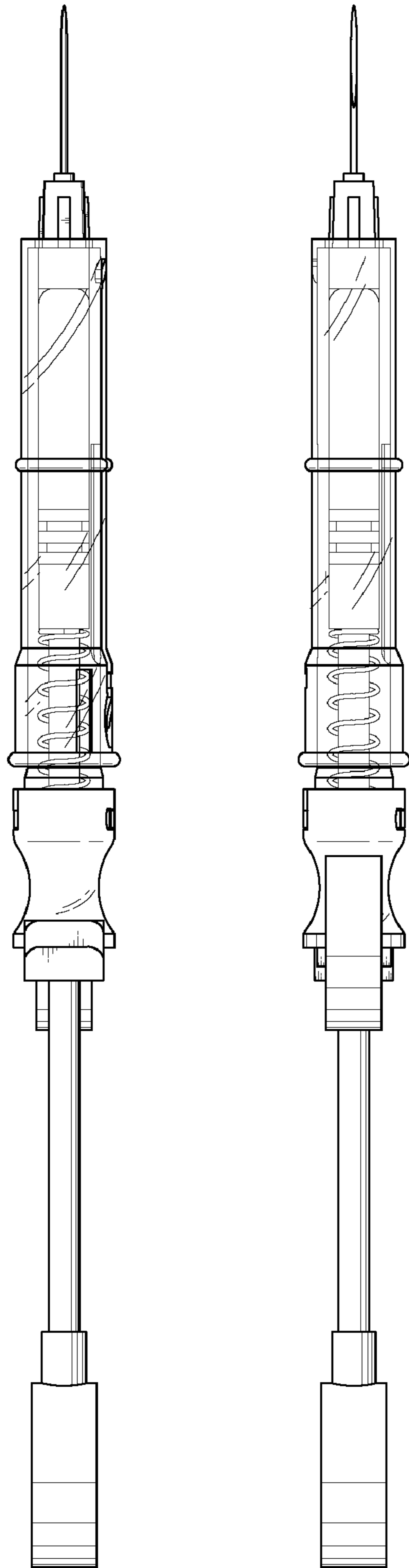


FIG. 4

FIG. 5

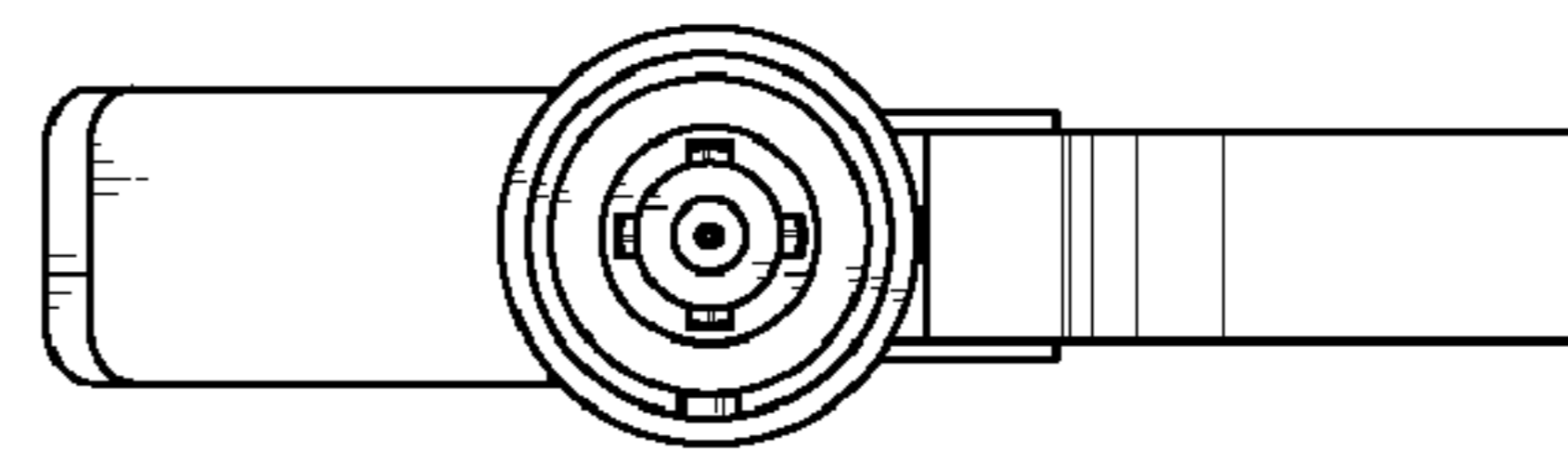


FIG. 6

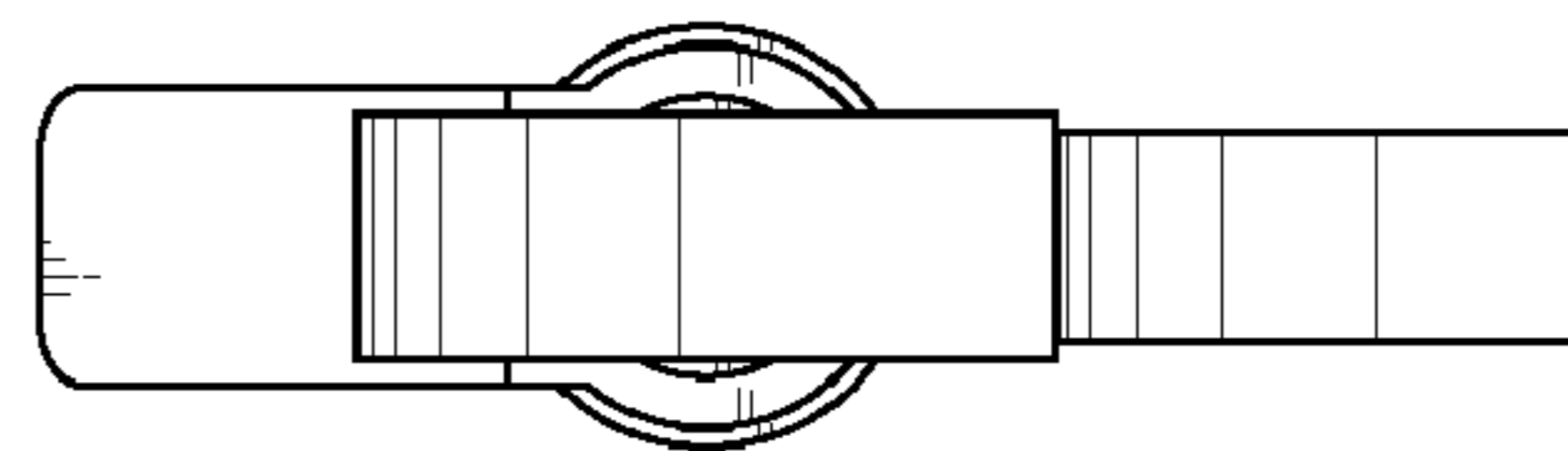


FIG. 7

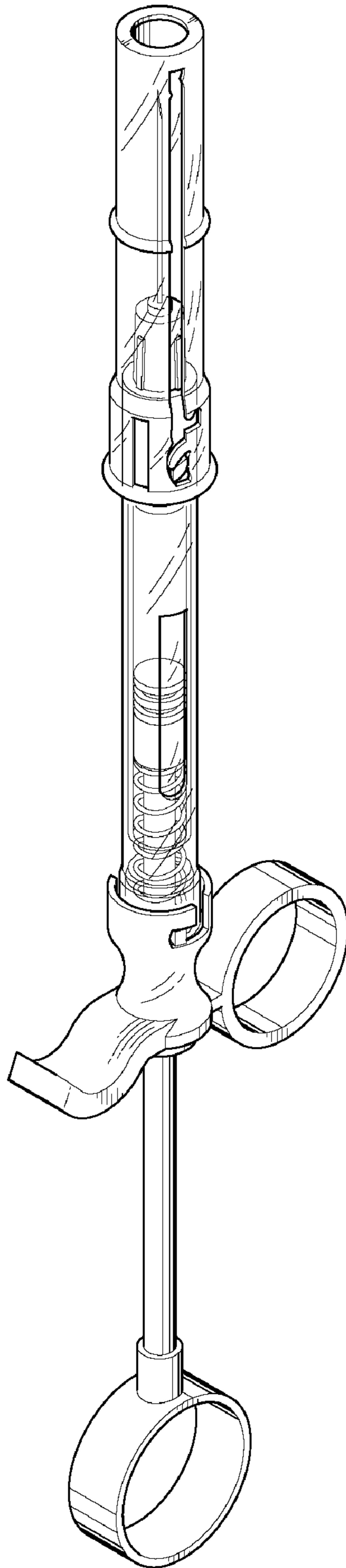


FIG. 8