



US00D585979S

(12) **United States Design Patent**
Stallard et al.

(10) **Patent No.:** **US D585,979 S**
(45) **Date of Patent:** **** Feb. 3, 2009**

(54) **PORTION OF MASK FRAME**

(75) Inventors: **Philip Thomas Stallard**, Denistone East (AU); **Scott Alexander Howard**, Harbord (AU)

(73) Assignee: **ResMed Limited**, Bella Vista (AU)

(**) Term: **14 Years**

(21) Appl. No.: **29/287,203**

(22) Filed: **Jul. 9, 2007**

Related U.S. Application Data

(63) Continuation of application No. 29/240,923, filed on Sep. 26, 2005, now Pat. No. Des. 549,322.

(51) **LOC (9) Cl.** **29-02**

(52) **U.S. Cl.** **D24/110.1; D24/110.4**

(58) **Field of Classification Search** D24/110.1, D24/110.4, 110.5; 128/207.13, 207.12, 207.11, 128/207.17, 207.18, 206.26, 206.21, 205.25
See application file for complete search history.

(56) **References Cited**

U.S. PATENT DOCUMENTS

D428,139 S	7/2000	Smart	
D459,800 S	7/2002	Smart	
D464,728 S	10/2002	Paul et al.	
D493,885 S	8/2004	Raje et al.	
D534,274 S *	12/2006	Smart D24/110.1
D573,709 S *	7/2008	Rudolph D24/110.1
2005/0172969 A1	8/2005	Ging et al.	

OTHER PUBLICATIONS

U.S. Appl. No. 29/240,923, filed Sep. 26, 2005, Stallard et al.

* cited by examiner

Primary Examiner—Ian Simmons

Assistant Examiner—Christopher Lee

(74) *Attorney, Agent, or Firm*—Nixon & Vanderhye P.C.

(57) **CLAIM**

The ornamental design for a portion of a mask frame, as shown and described.

DESCRIPTION

FIG. 1 is a front perspective view of a portion of a mask frame according to a first embodiment of our design;

FIG. 2 is a rear perspective of the mask frame shown in FIG. 1;

FIG. 3 is a front view of the mask frame shown in FIG. 1;

FIG. 4 is a rear view of the mask frame shown in FIG. 1;

FIG. 5 is a right hand side view of the mask frame shown in FIG. 1, with the left hand side view being a mirror image thereof;

FIG. 6 is a top view of the mask frame shown in FIG. 1;

FIG. 7 is a bottom view of the mask frame shown in FIG. 1;

FIG. 8 is a front perspective view of a portion of a mask frame according to a second embodiment of our design;

FIG. 9 is a rear perspective of the mask frame shown in FIG. 8;

FIG. 10 is a front view of the mask frame shown in FIG. 8;

FIG. 11 is a rear view of the mask frame shown in FIG. 8;

FIG. 12 is a right hand side view of the mask frame shown in FIG. 8, with the left hand side view being a mirror image thereof;

FIG. 13 is a top view of the mask frame shown in FIG. 8;

FIG. 14 is a bottom view of the mask frame shown in FIG. 8;

FIG. 15 is a front perspective view of a portion of a mask frame according to a third embodiment of our design;

FIG. 16 is a rear perspective of the mask frame shown in FIG. 15;

FIG. 17 is a front view of the mask frame shown in FIG. 15;

FIG. 18 is a rear view of the mask frame shown in FIG. 15;

FIG. 19 is a right hand side view of the mask frame shown in FIG. 15, with the left hand side view being a mirror image thereof;

FIG. 20 is a top view of the mask frame shown in FIG. 15;

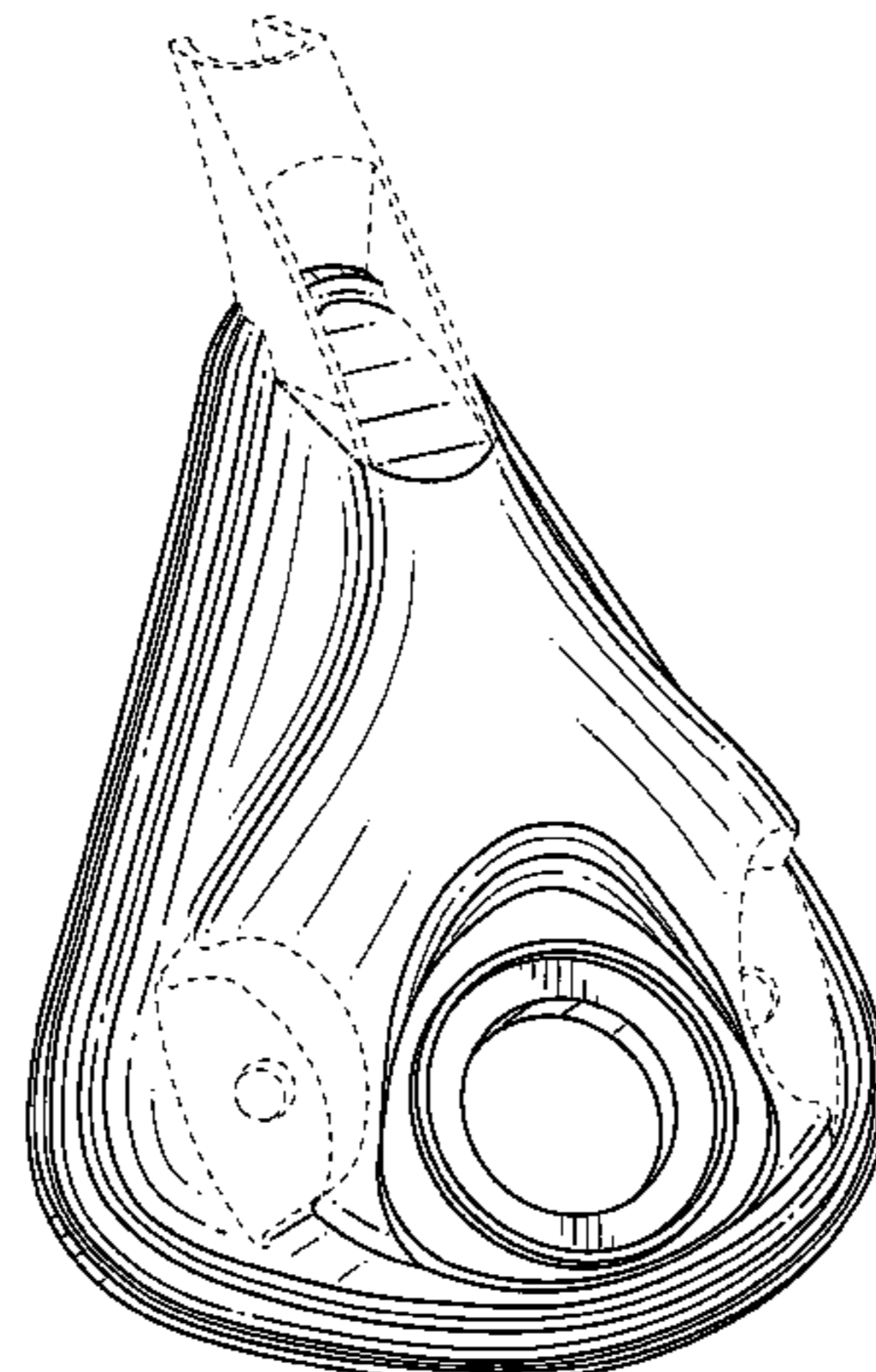


FIG. 21 is a bottom view of the mask frame shown in FIG. 15;
FIG. 22 is a front perspective view of a portion of a mask
frame according to a fourth embodiment of our design;

FIG. 23 is a rear perspective of the mask frame shown in FIG.
22;

FIG. 24 is a front view of the mask frame shown in FIG. 22;

FIG. 25 is a rear view of the mask frame shown in FIG. 22;

FIG. 26 is a right hand side view of the mask frame shown in
FIG. 22, with the left hand side view being a mirror image
thereof;

FIG. 27 is a top view of the mask frame shown in FIG. 22; and,

FIG. 28 is a bottom view of the mask frame shown in FIG. 22.

Where included, broken lines showing environment or struc-
ture are for illustrative purposes only and form no part of the
claimed design. Where included, dash-dot lines represent the
border between claimed and non-claimed subject matter and
form no part of the claimed design.

1 Claim, 24 Drawing Sheets

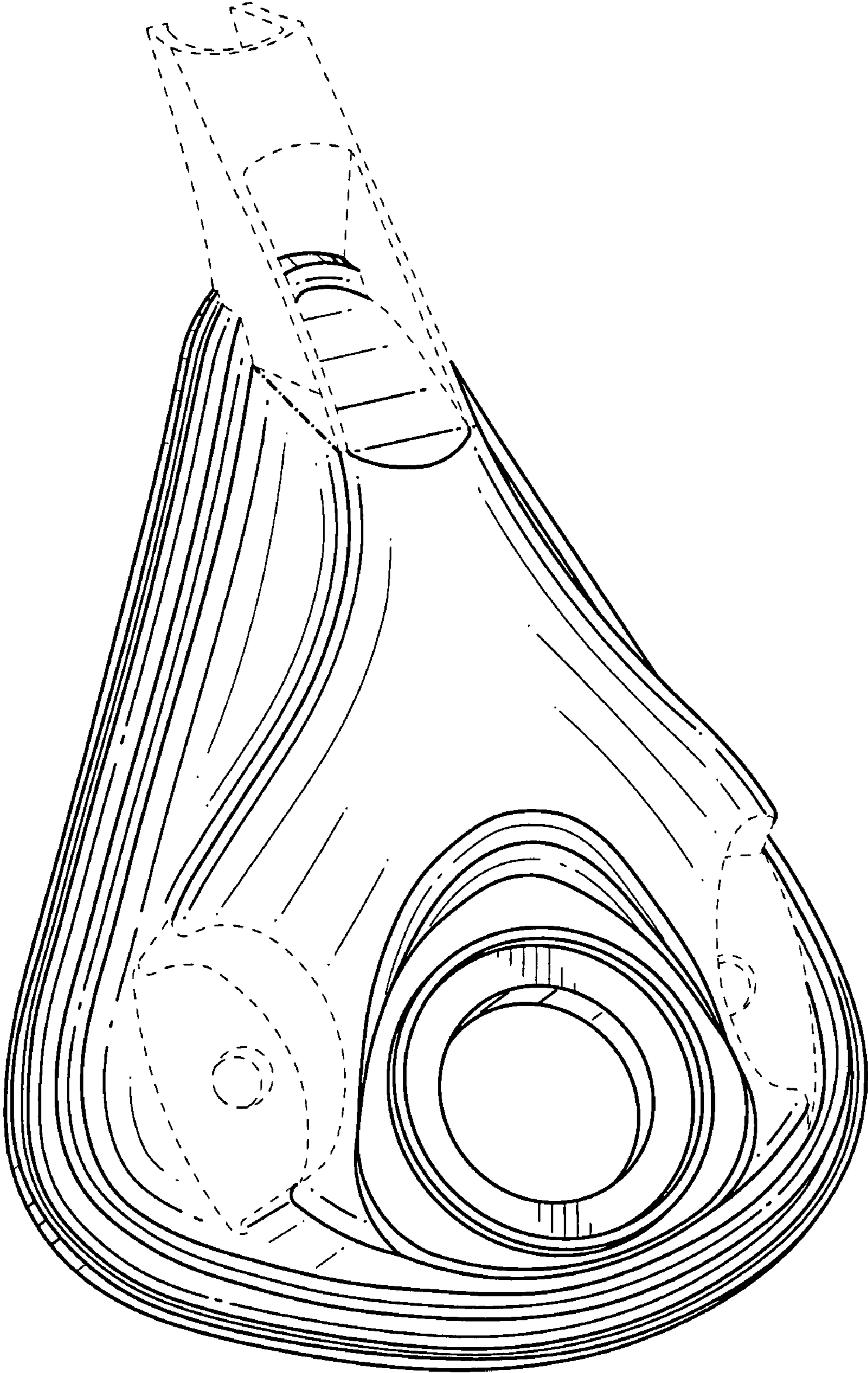


Fig. 1

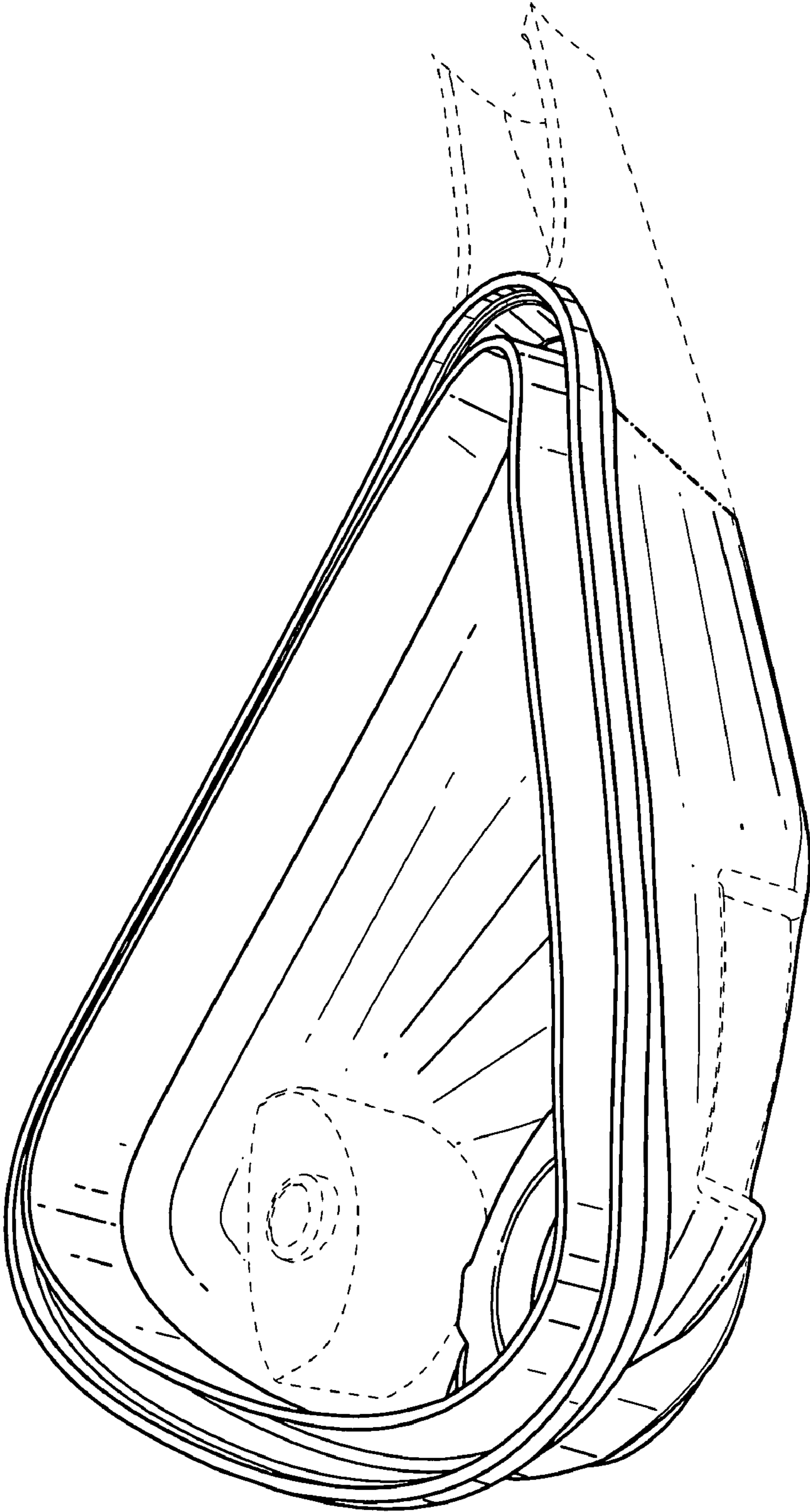


Fig. 2

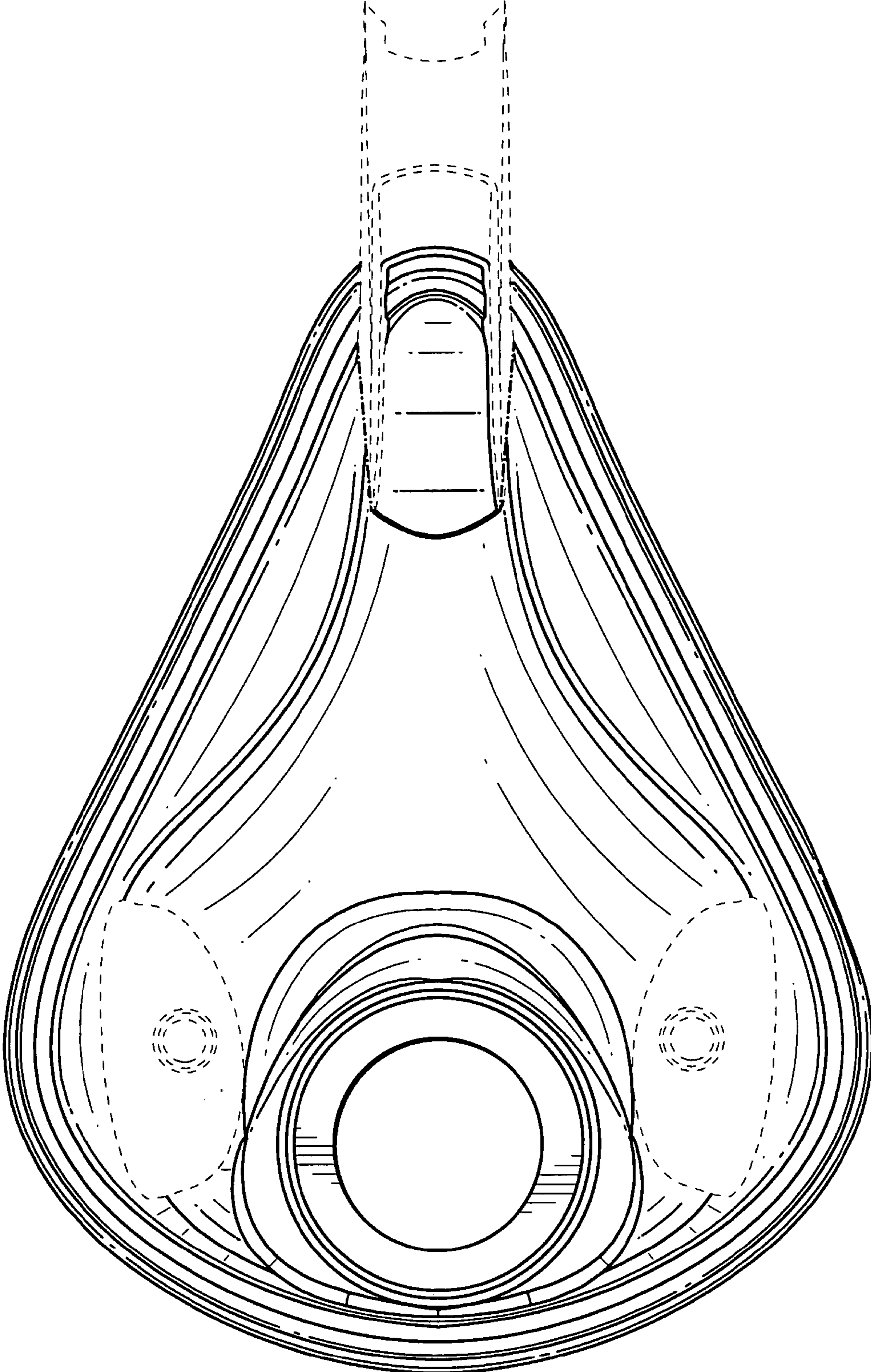


Fig. 3

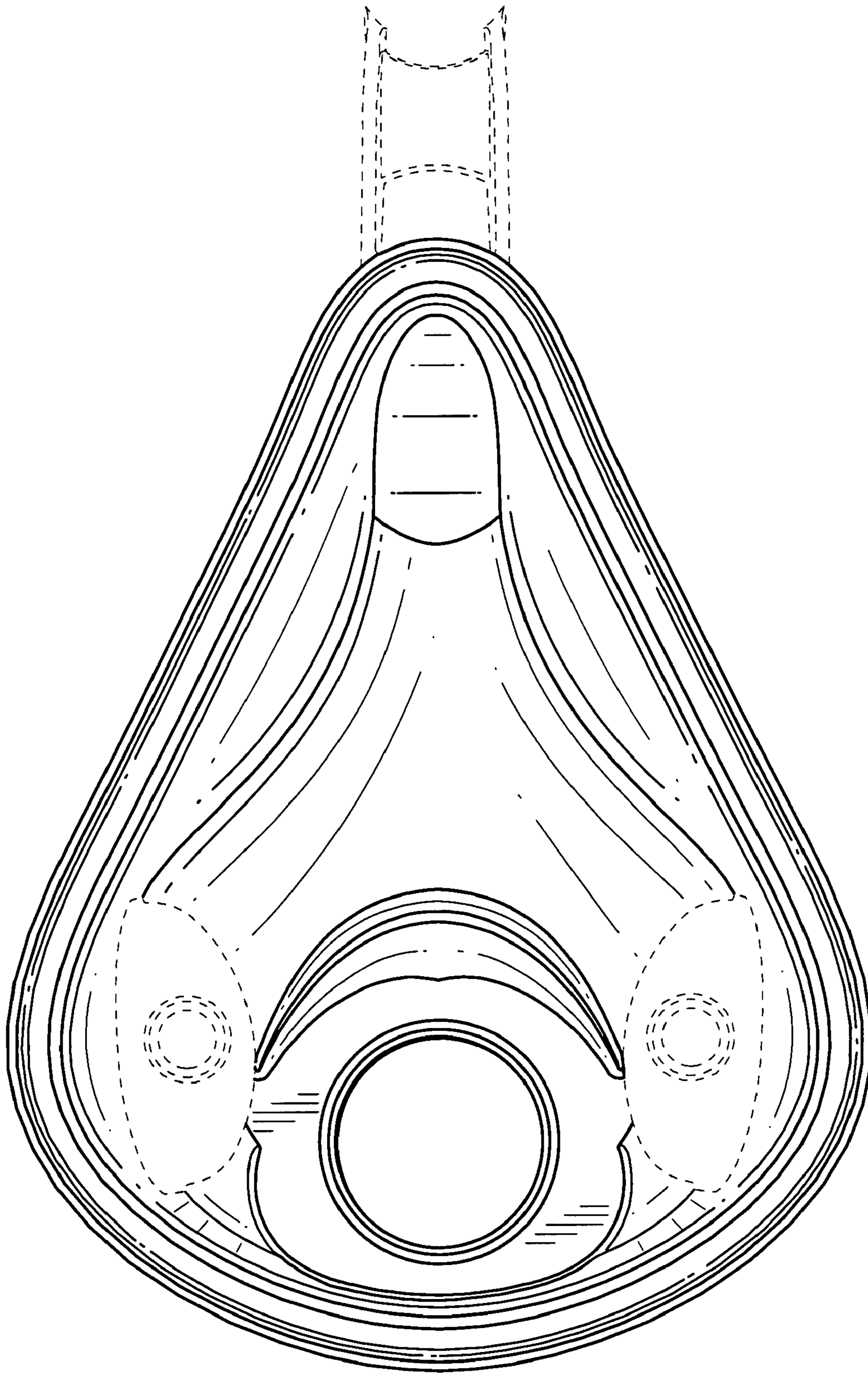


Fig. 4

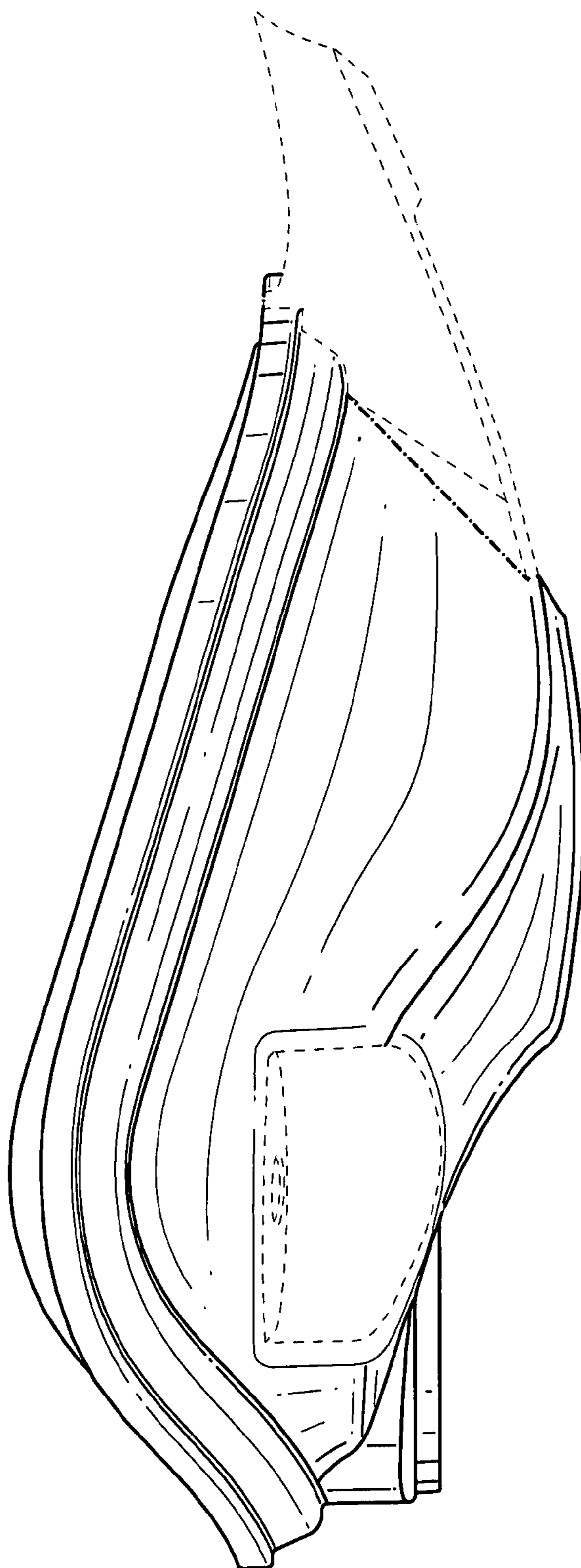


Fig. 5

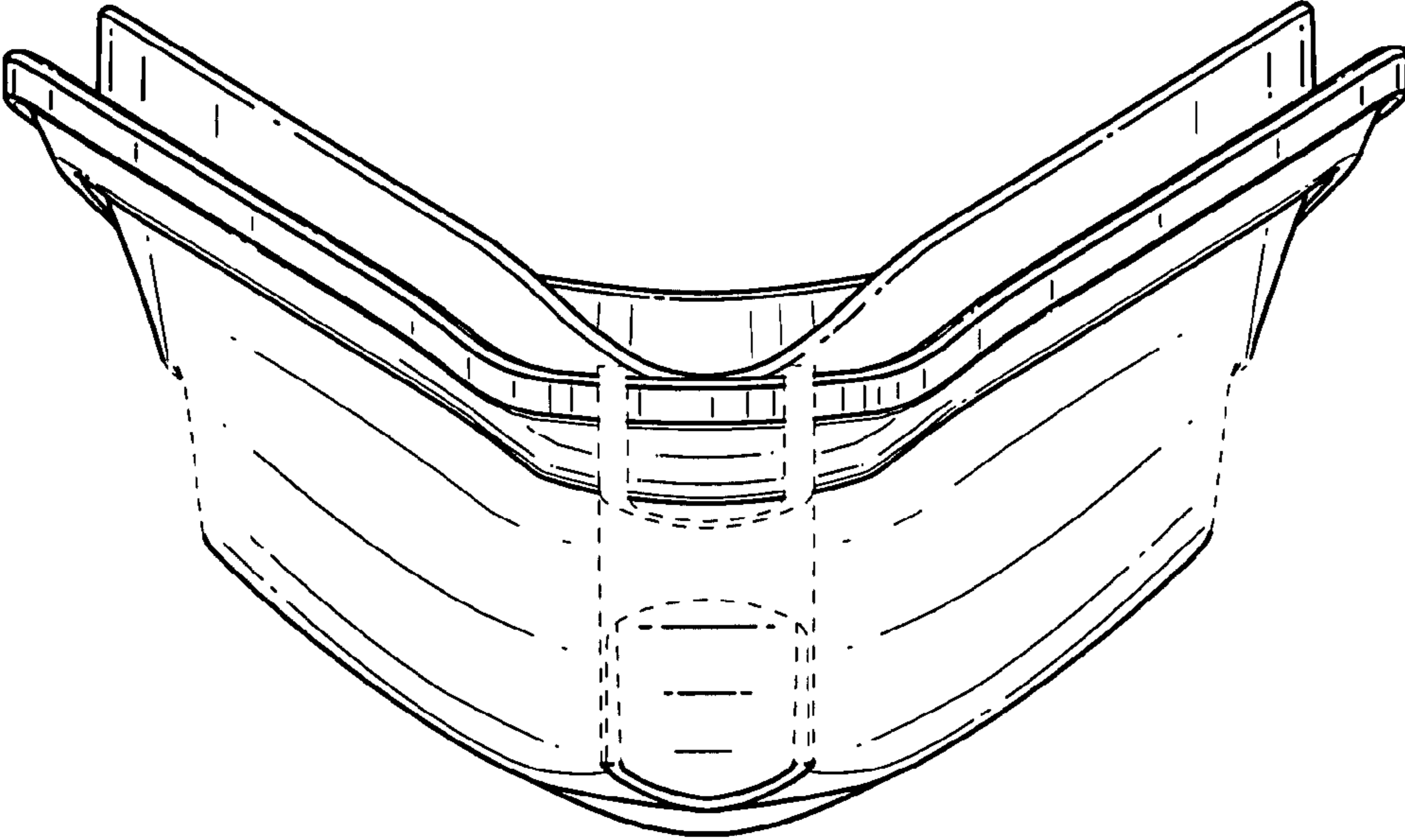


Fig. 6

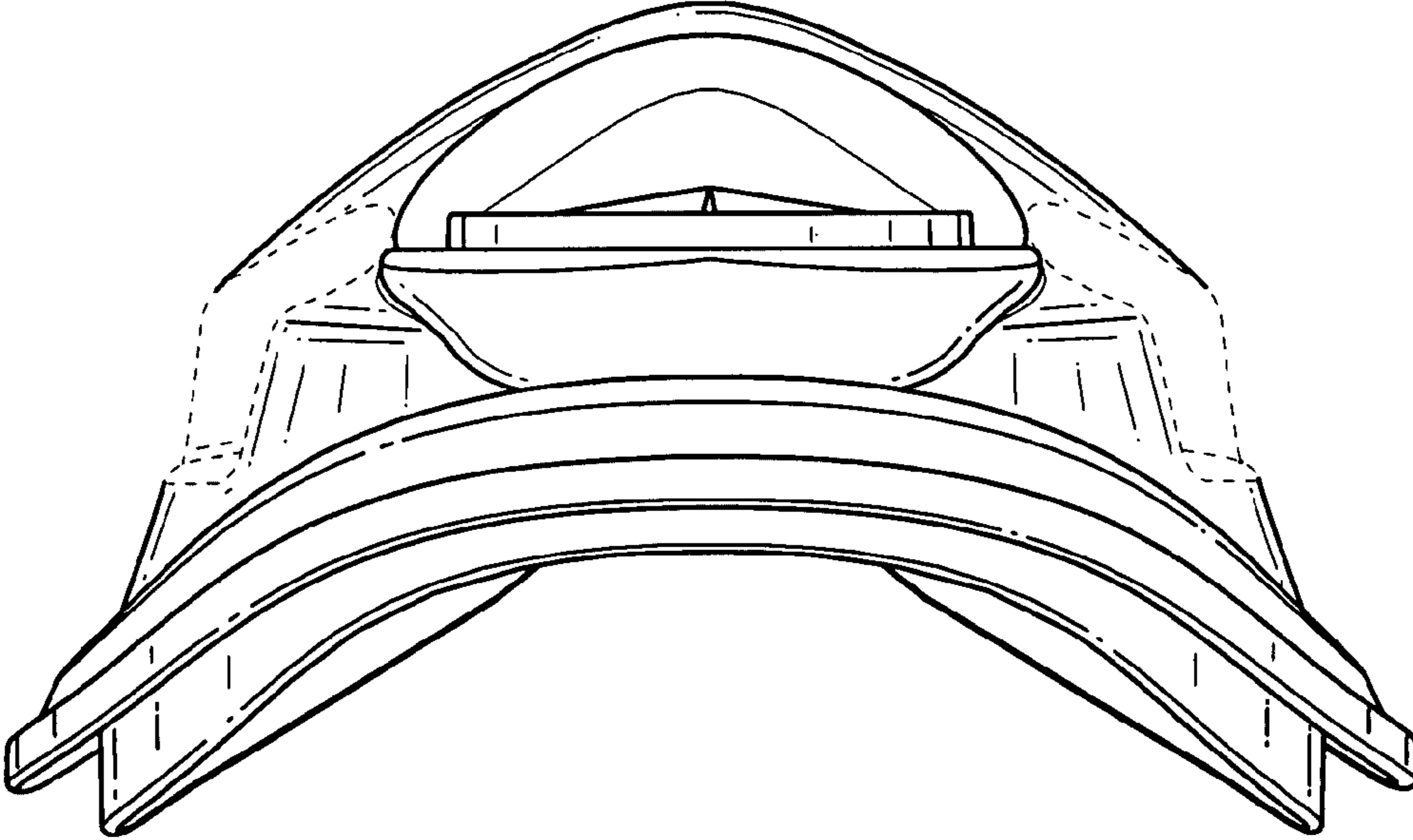


Fig. 7

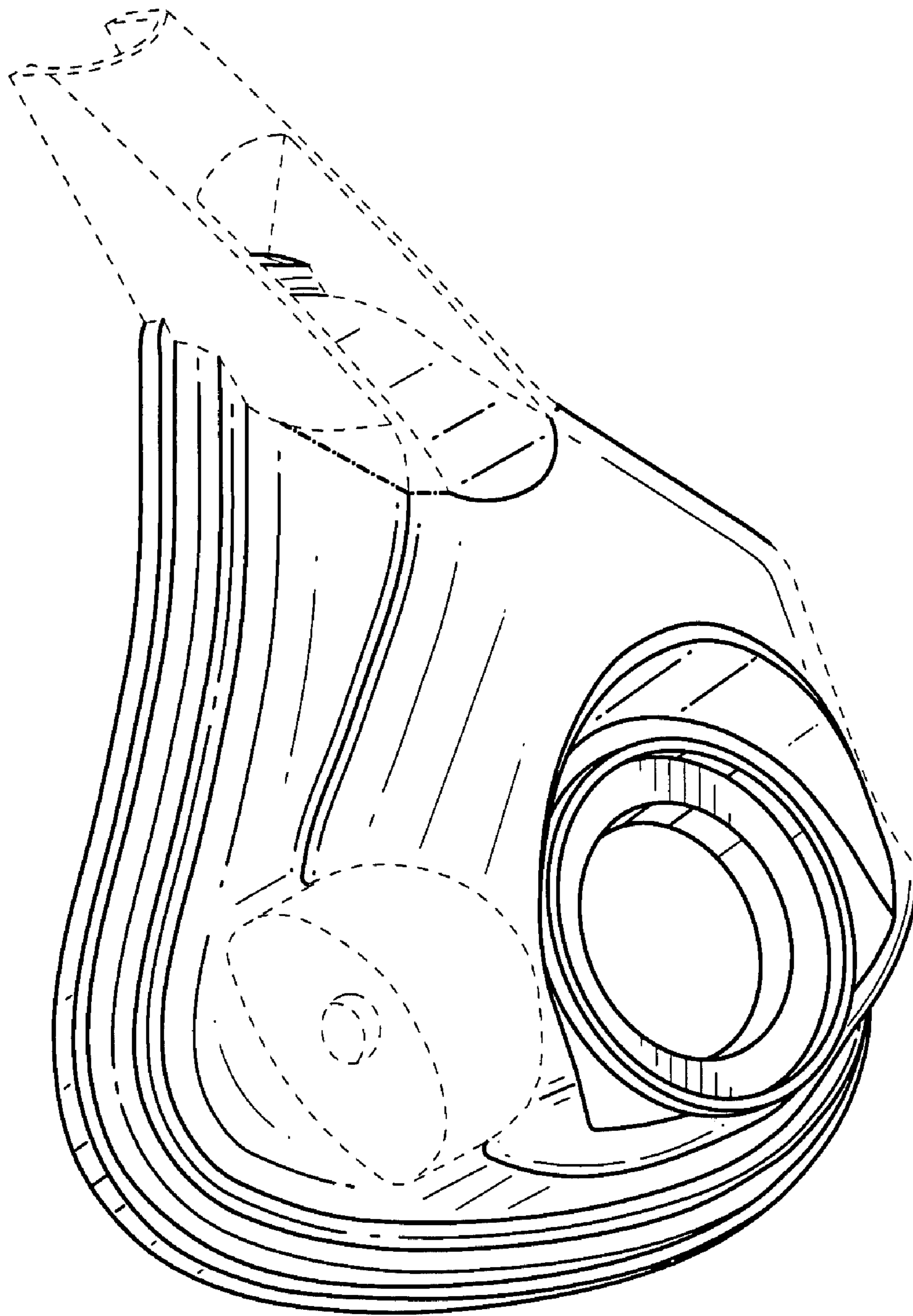


Fig. 8

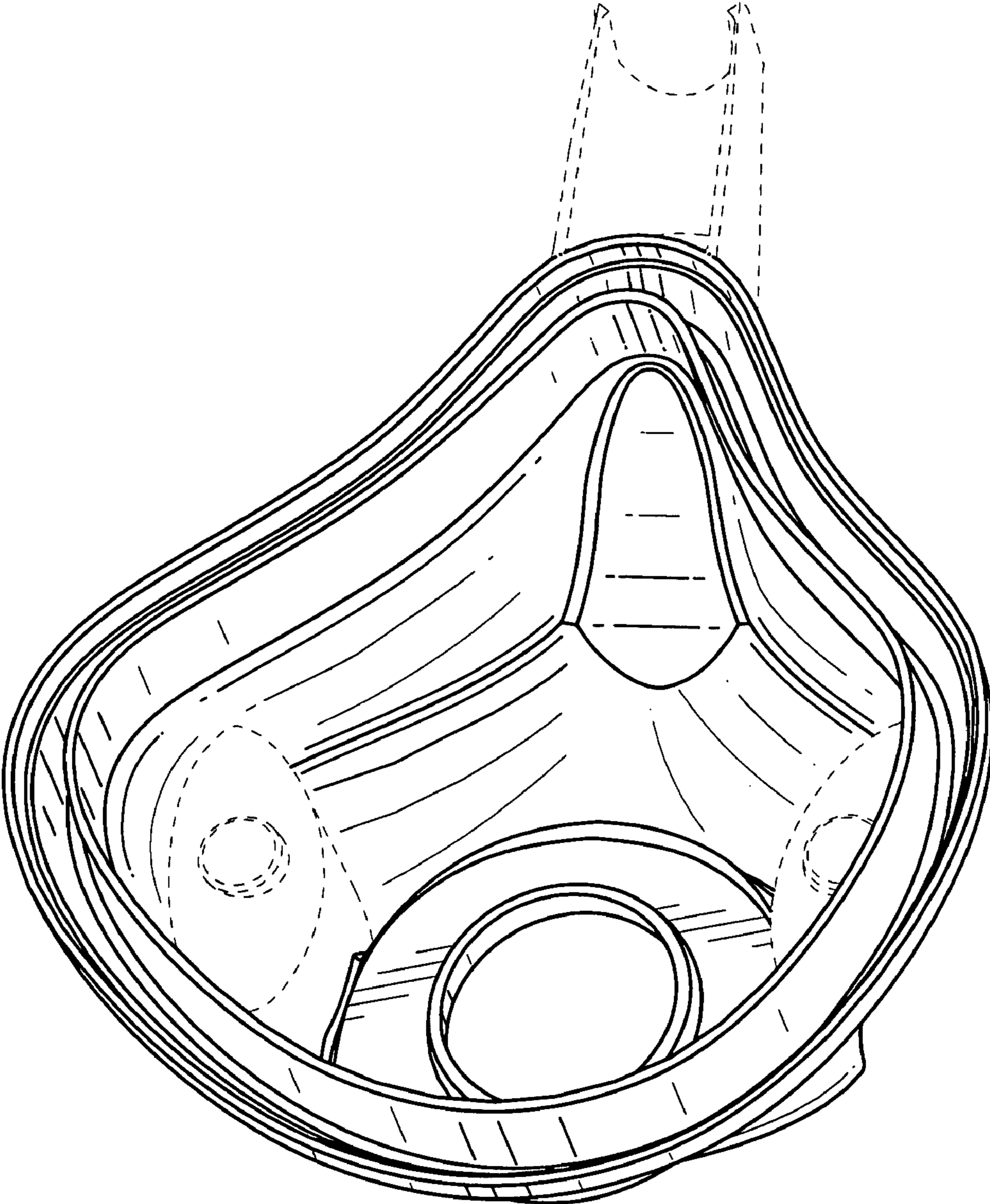


Fig. 9

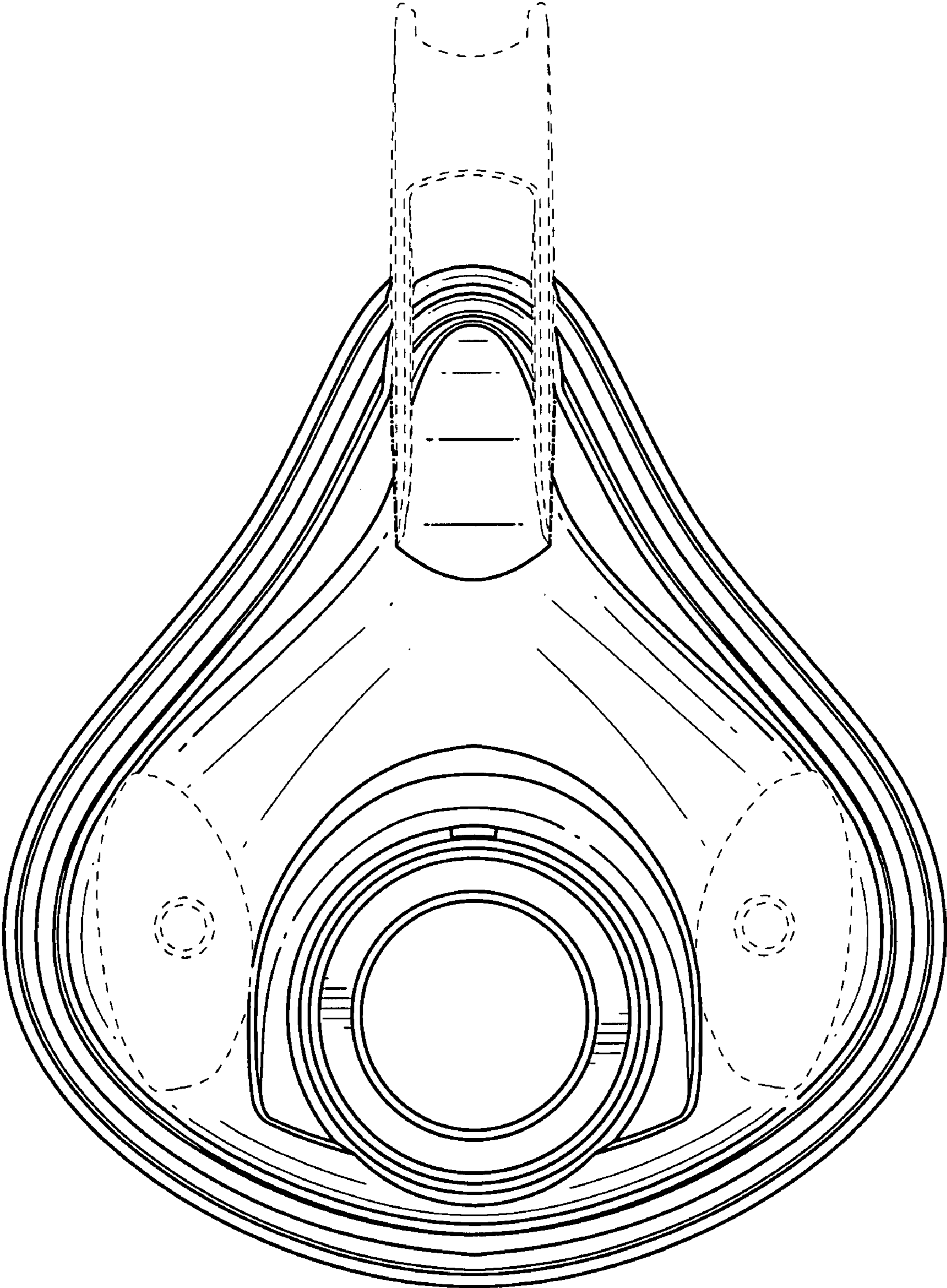


Fig. 10

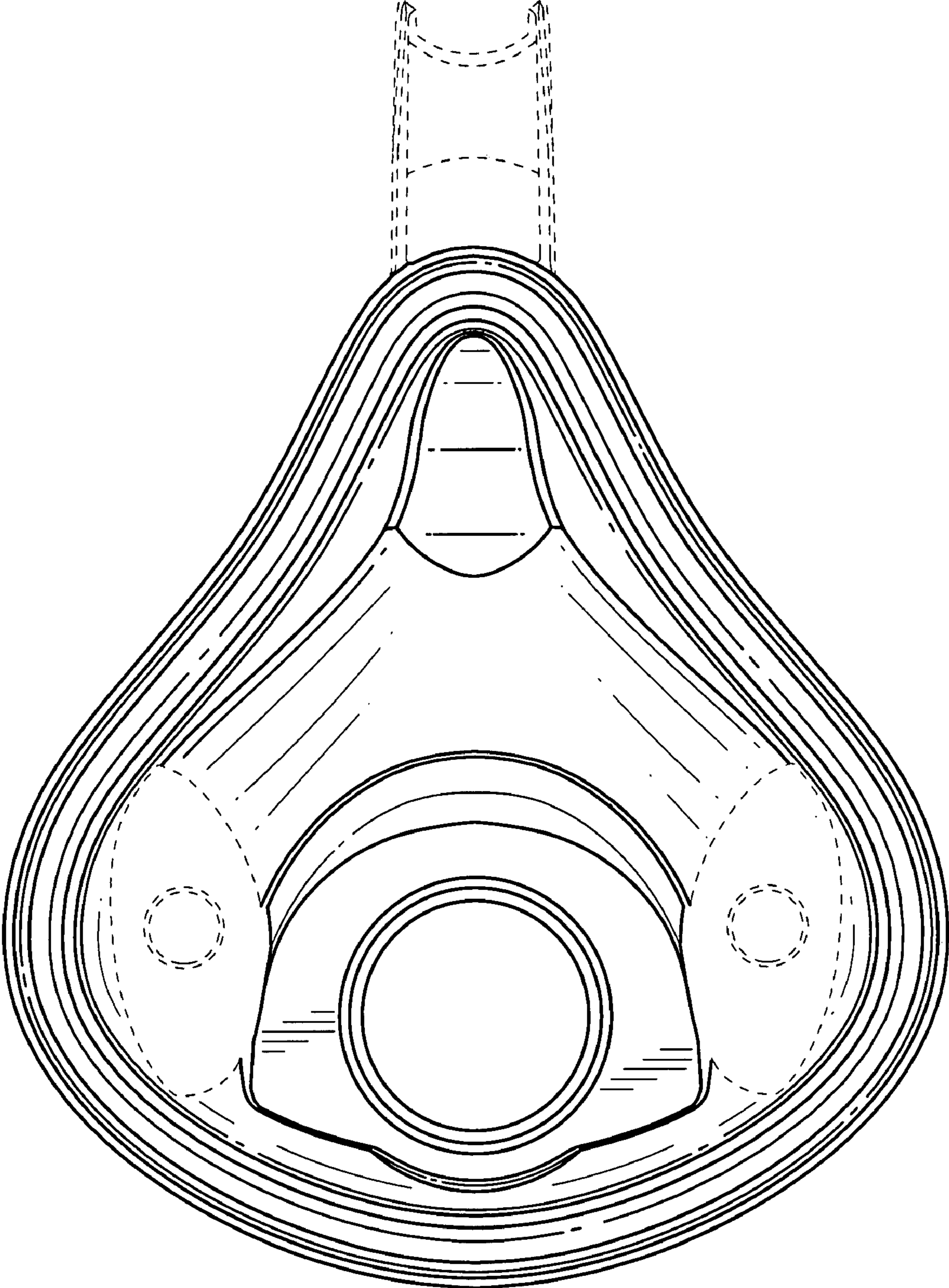


Fig. 11

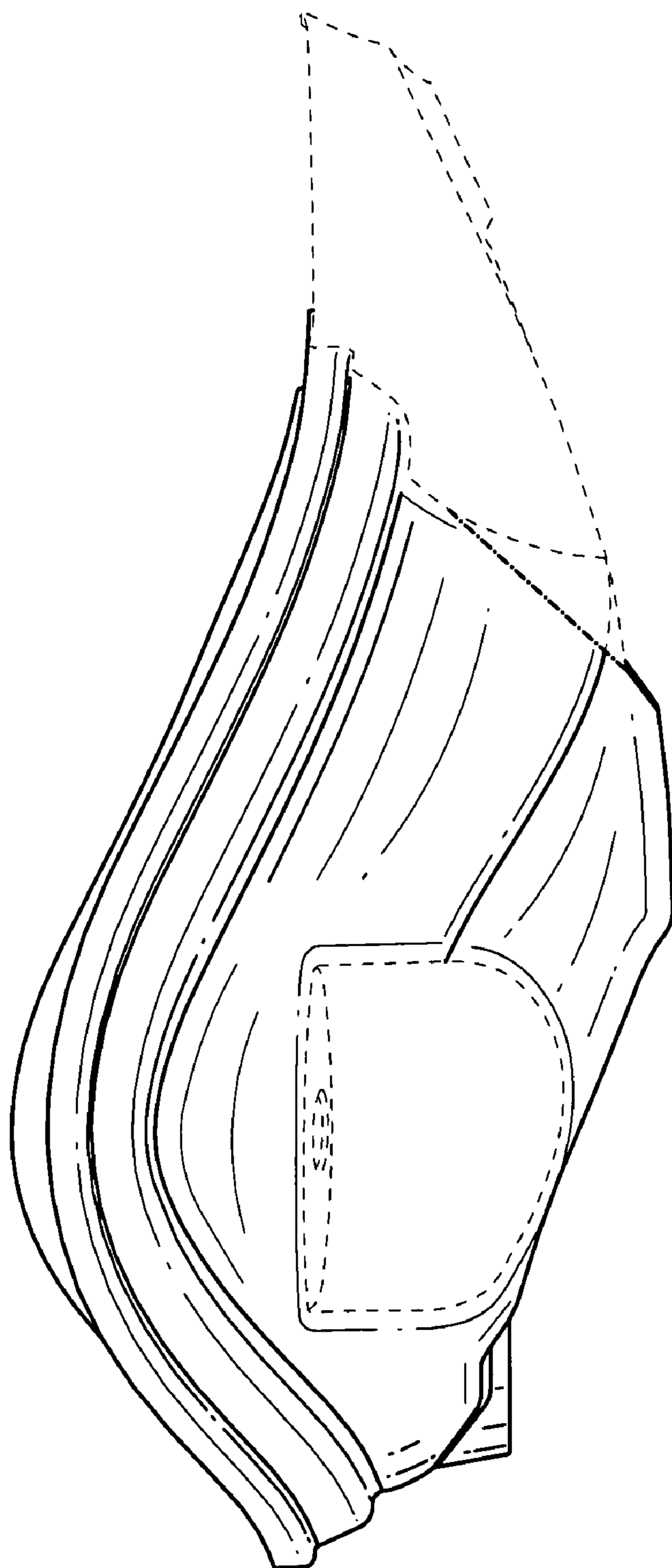


Fig. 12

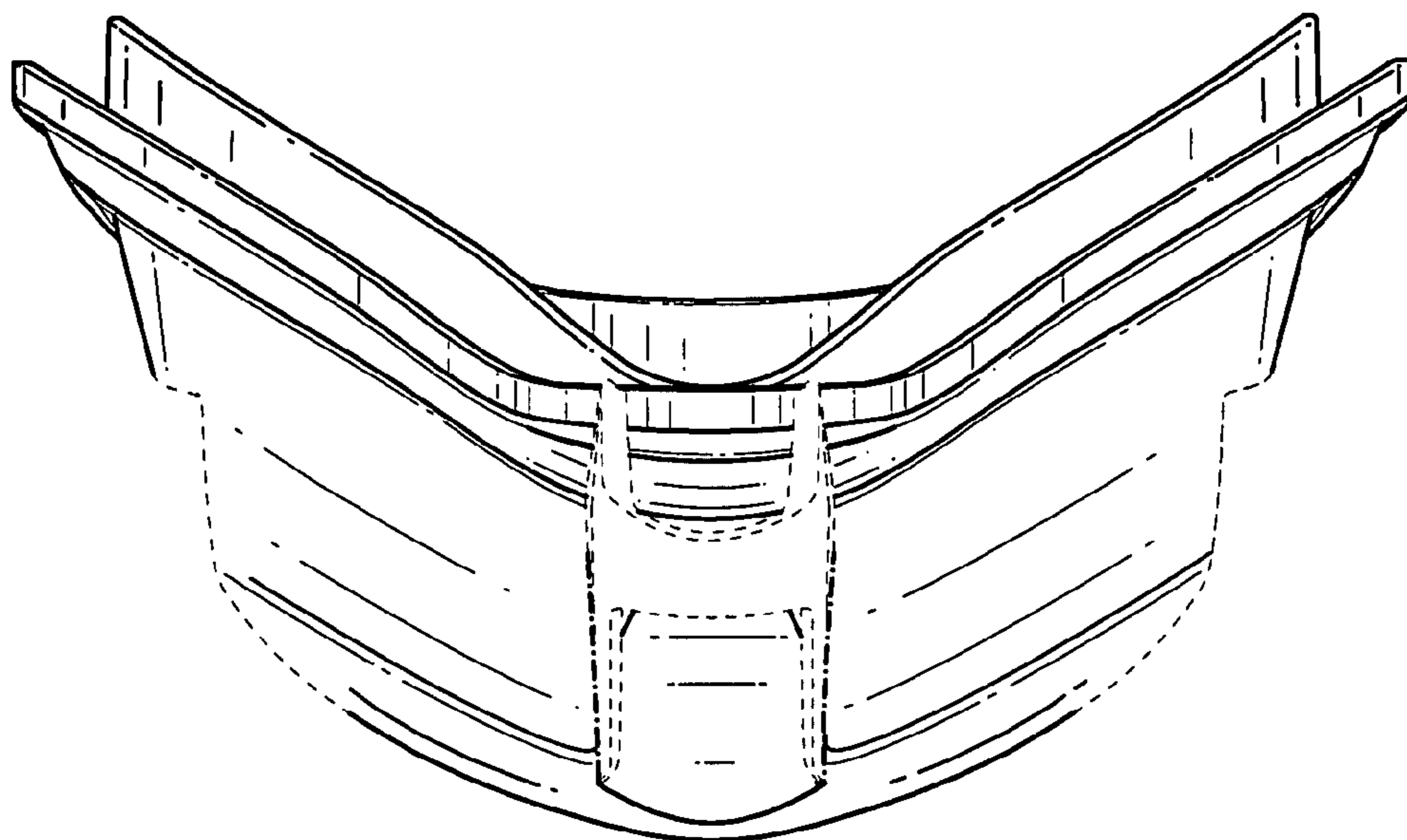


Fig. 13

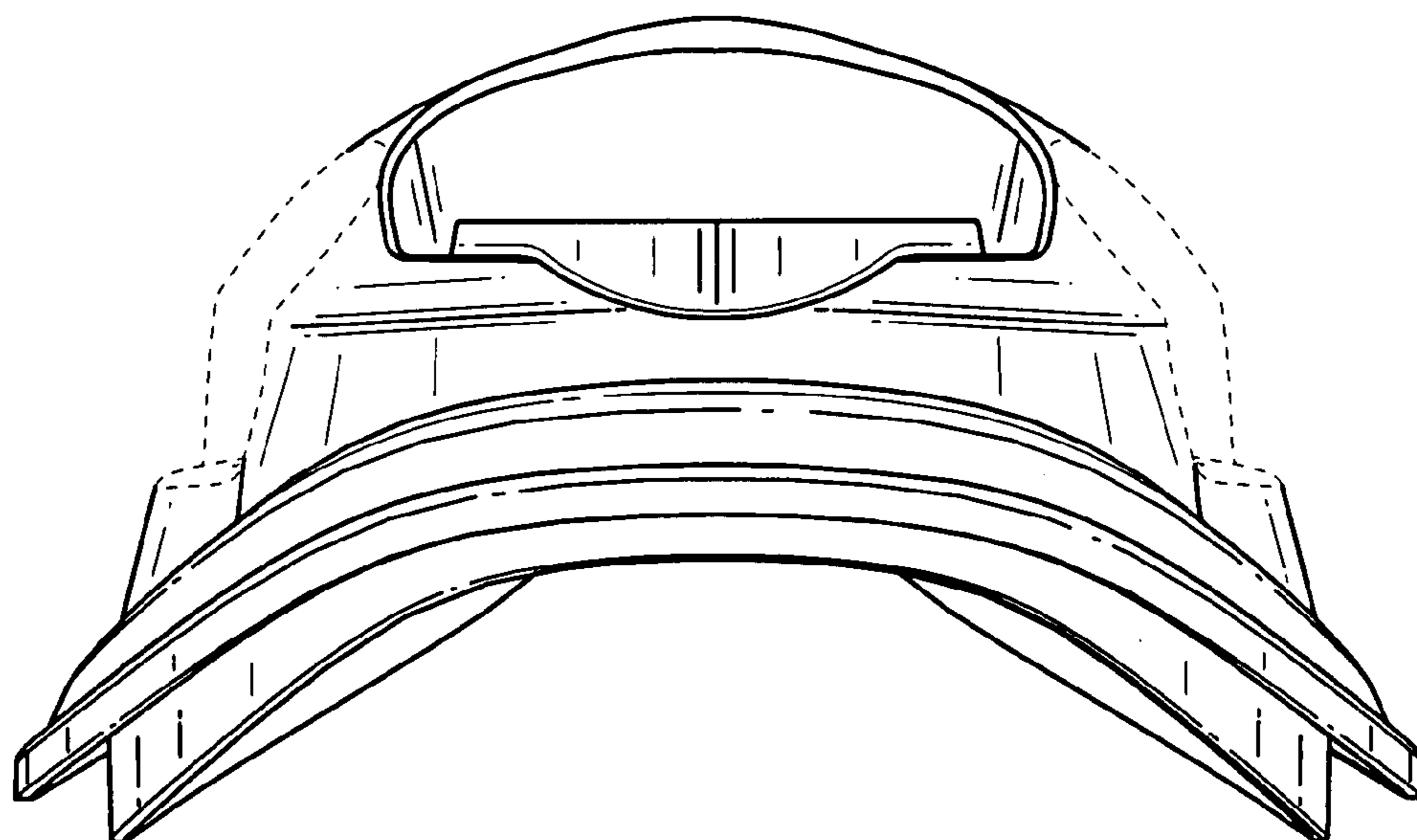


Fig. 14

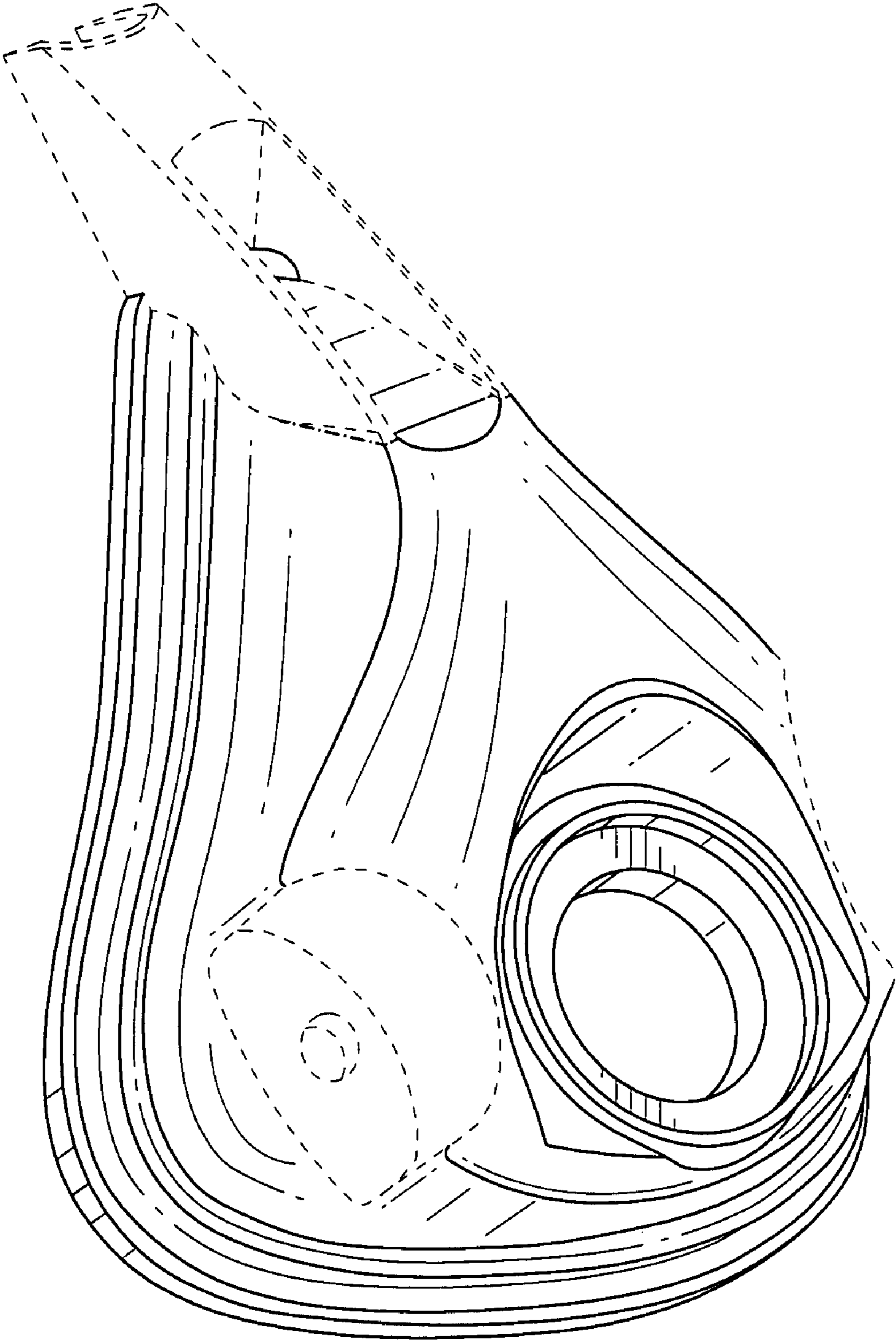


Fig. 15

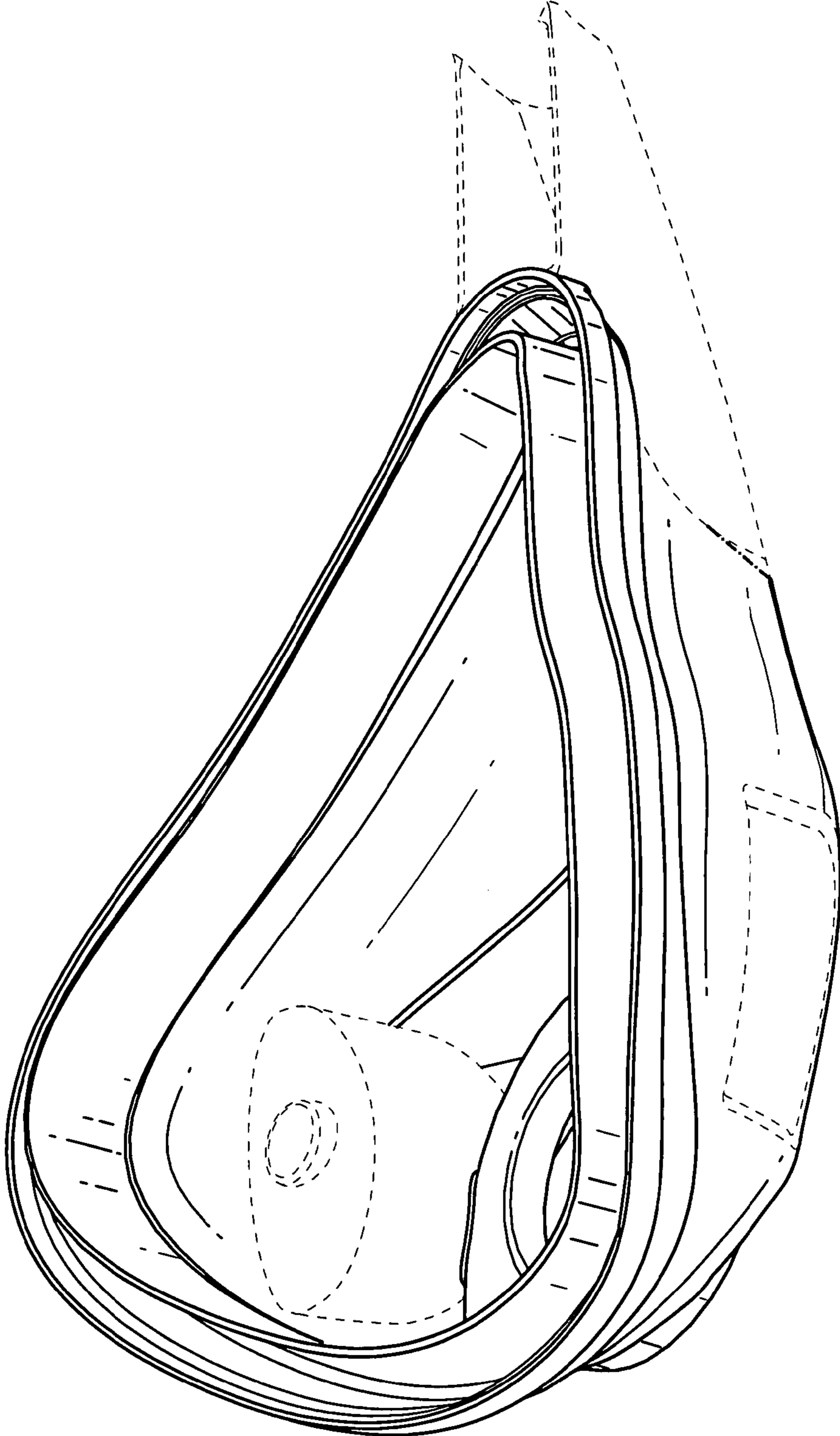


Fig. 16

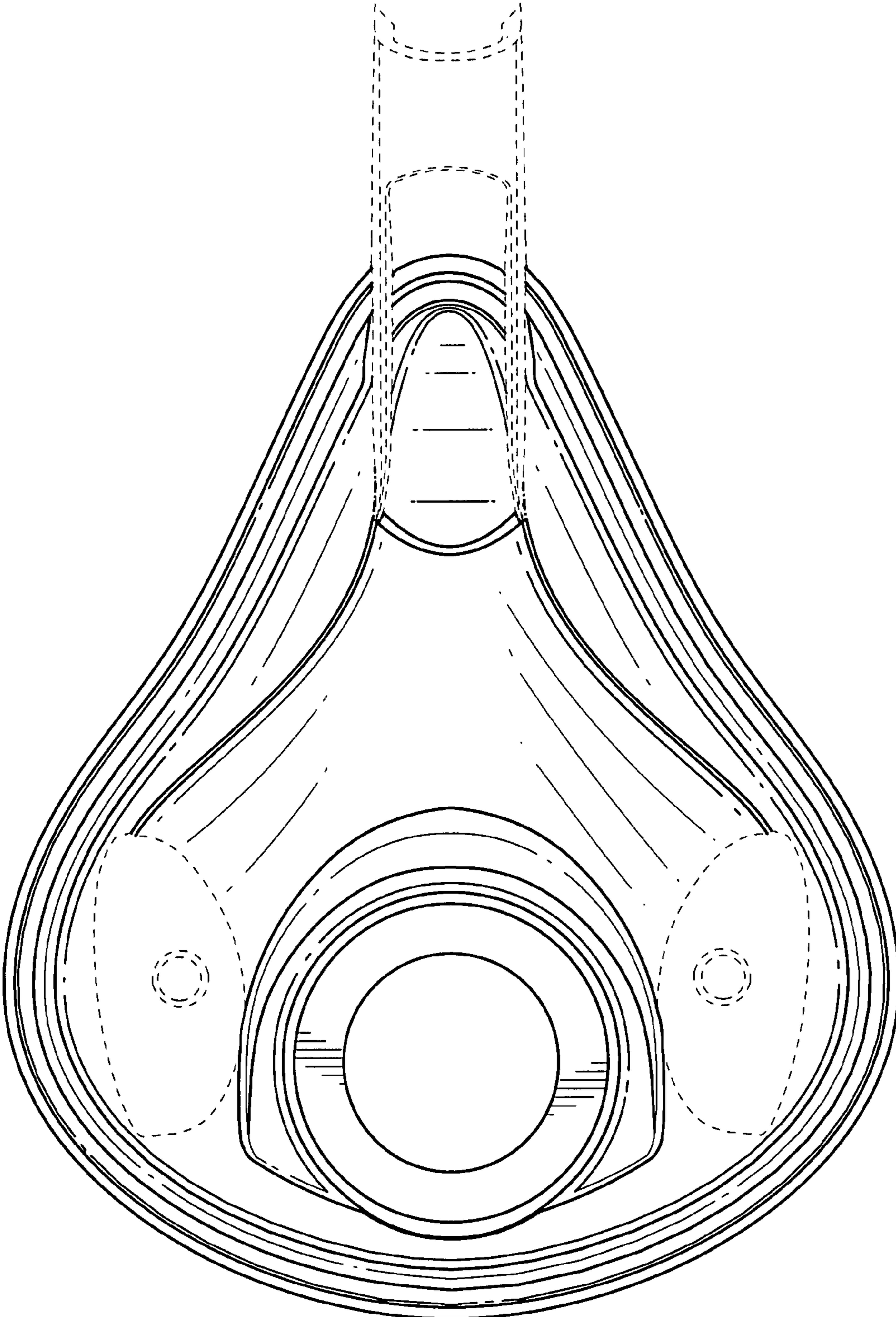


Fig. 17

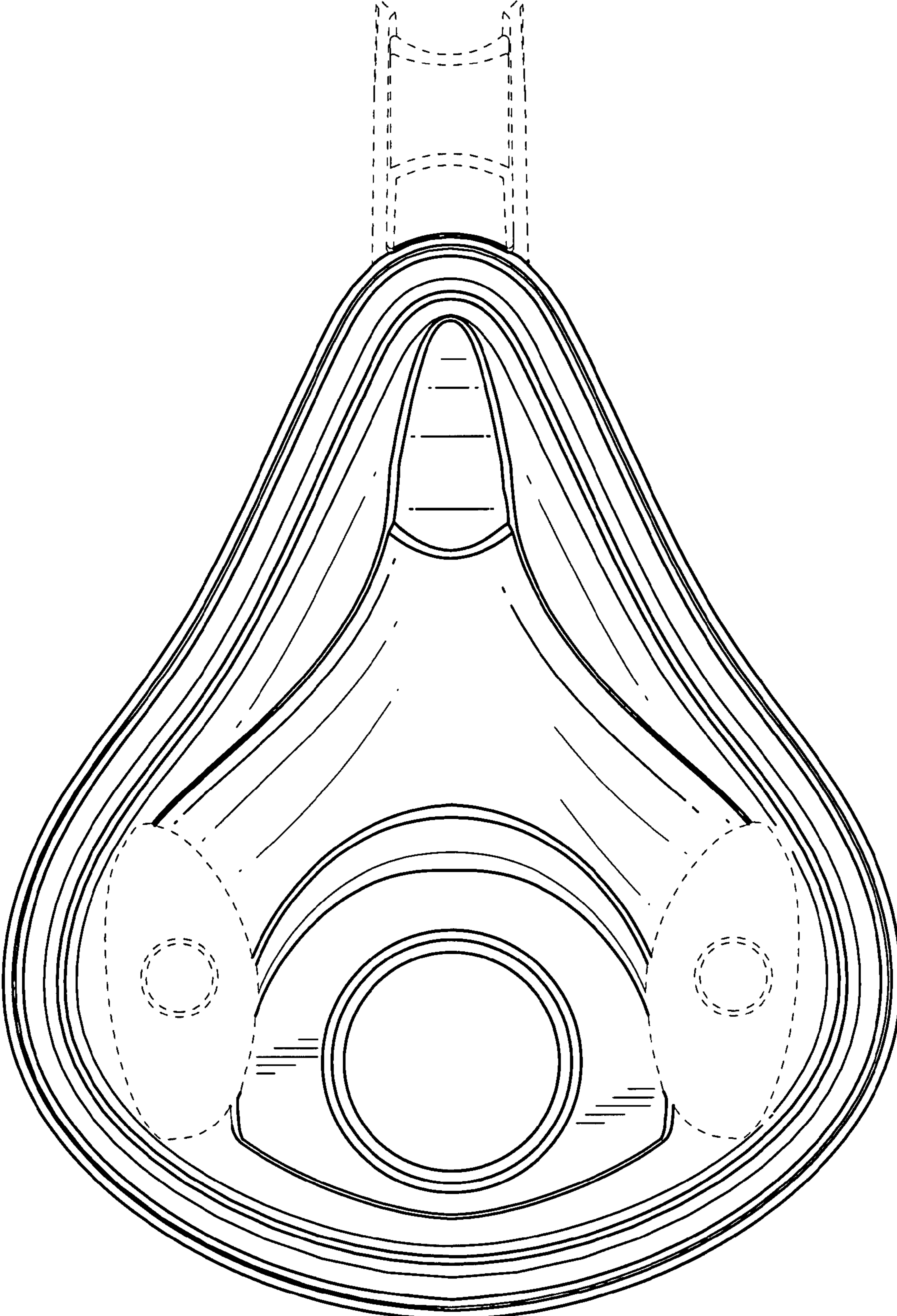


Fig. 18

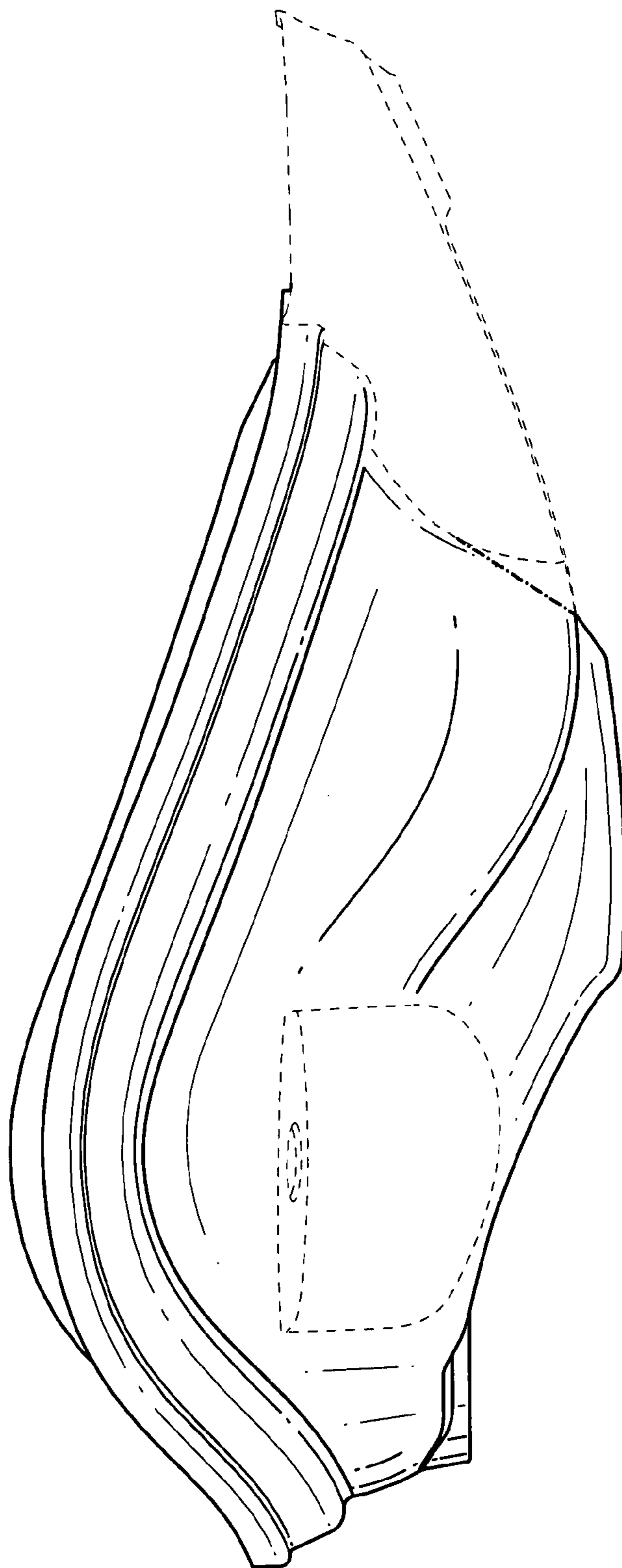


Fig. 19

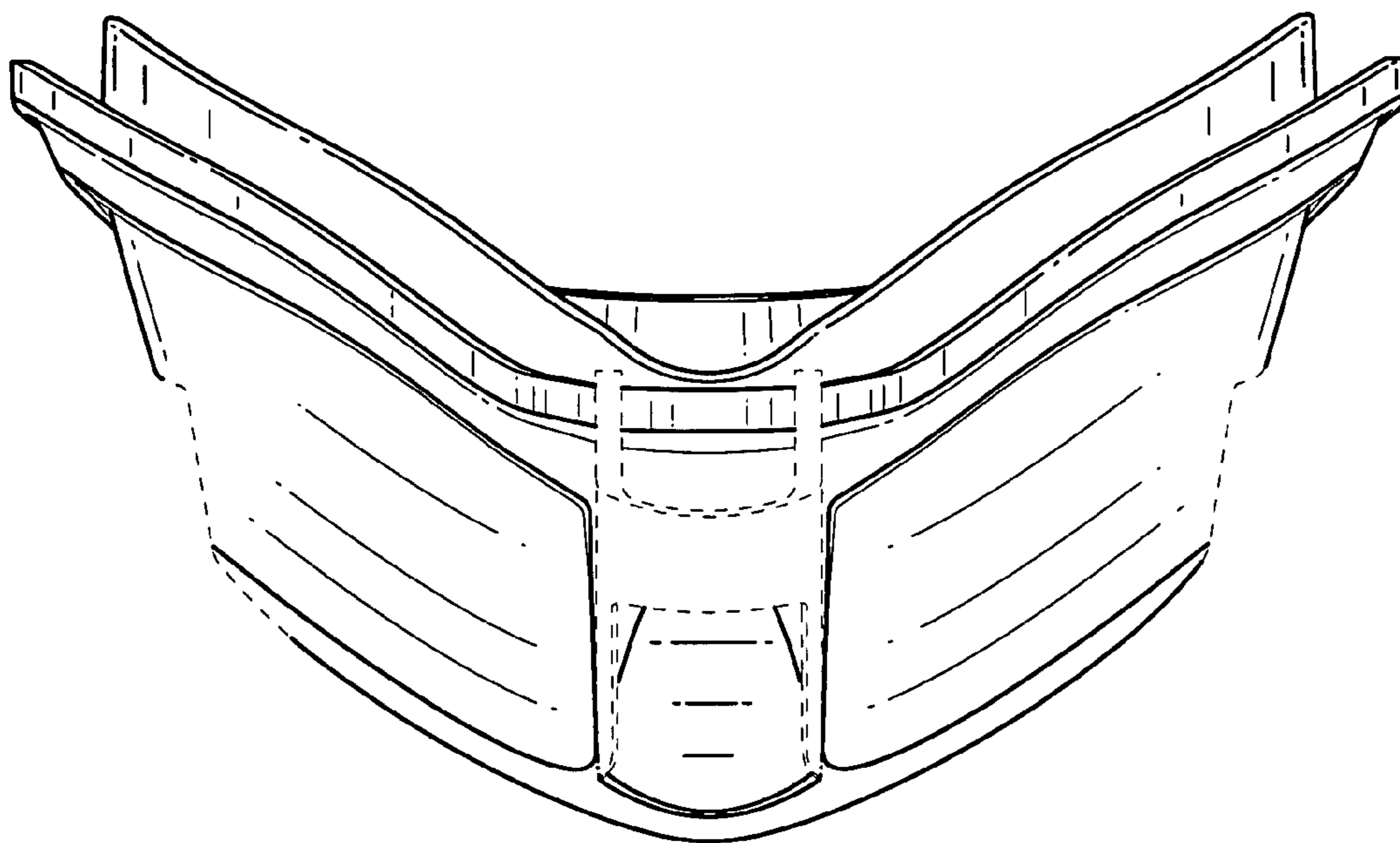


Fig. 20

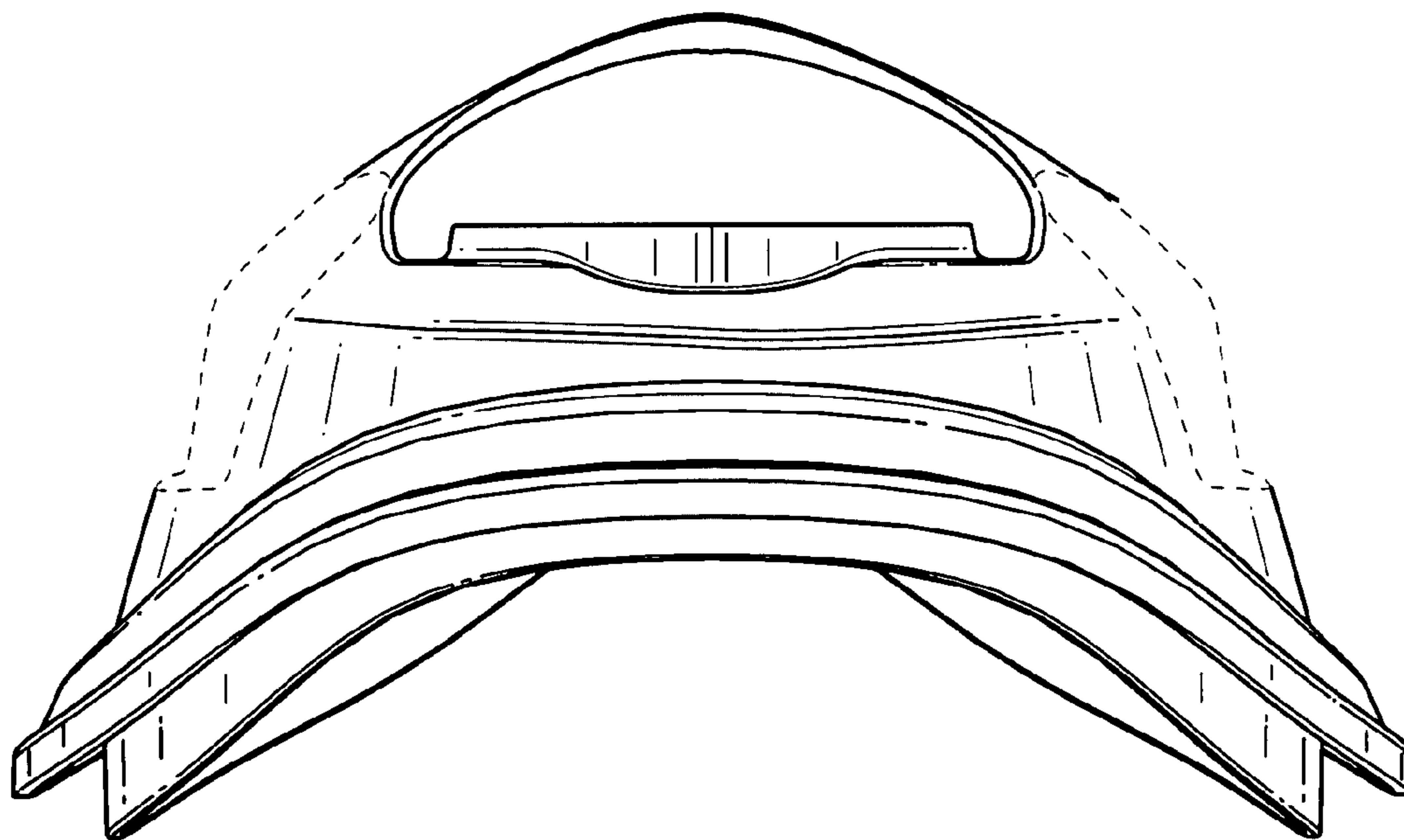


Fig. 21

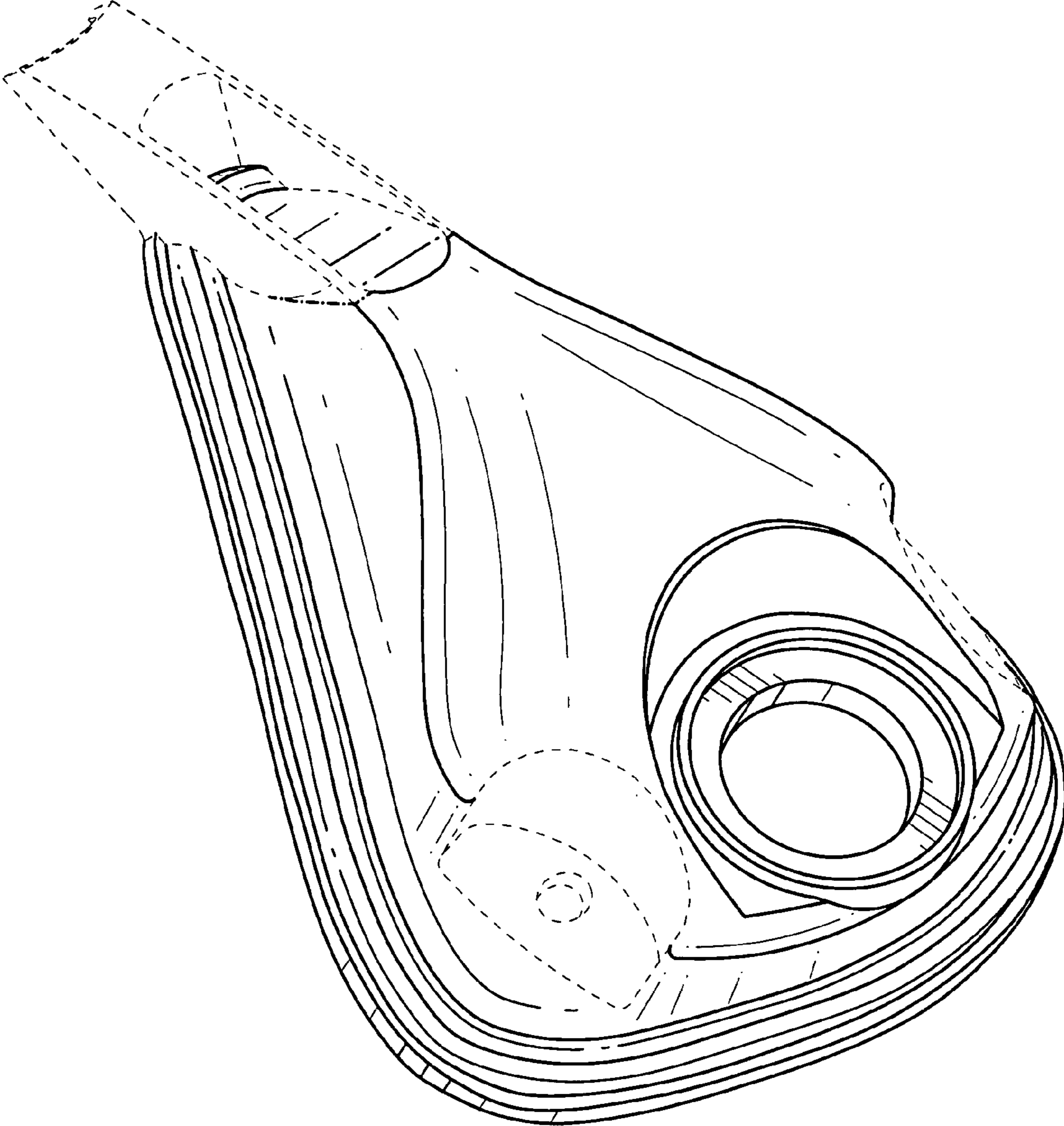


Fig. 22

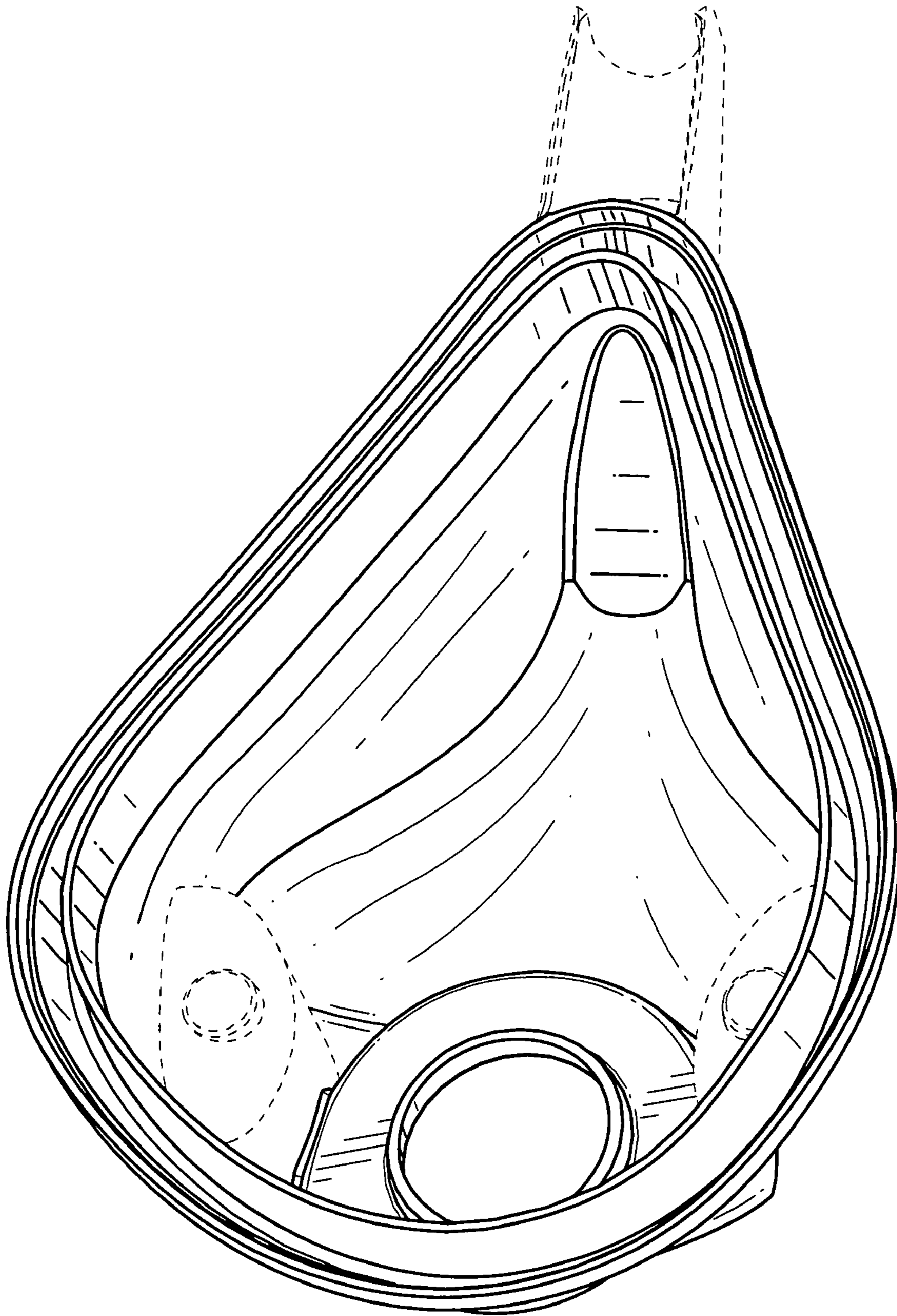


Fig. 23

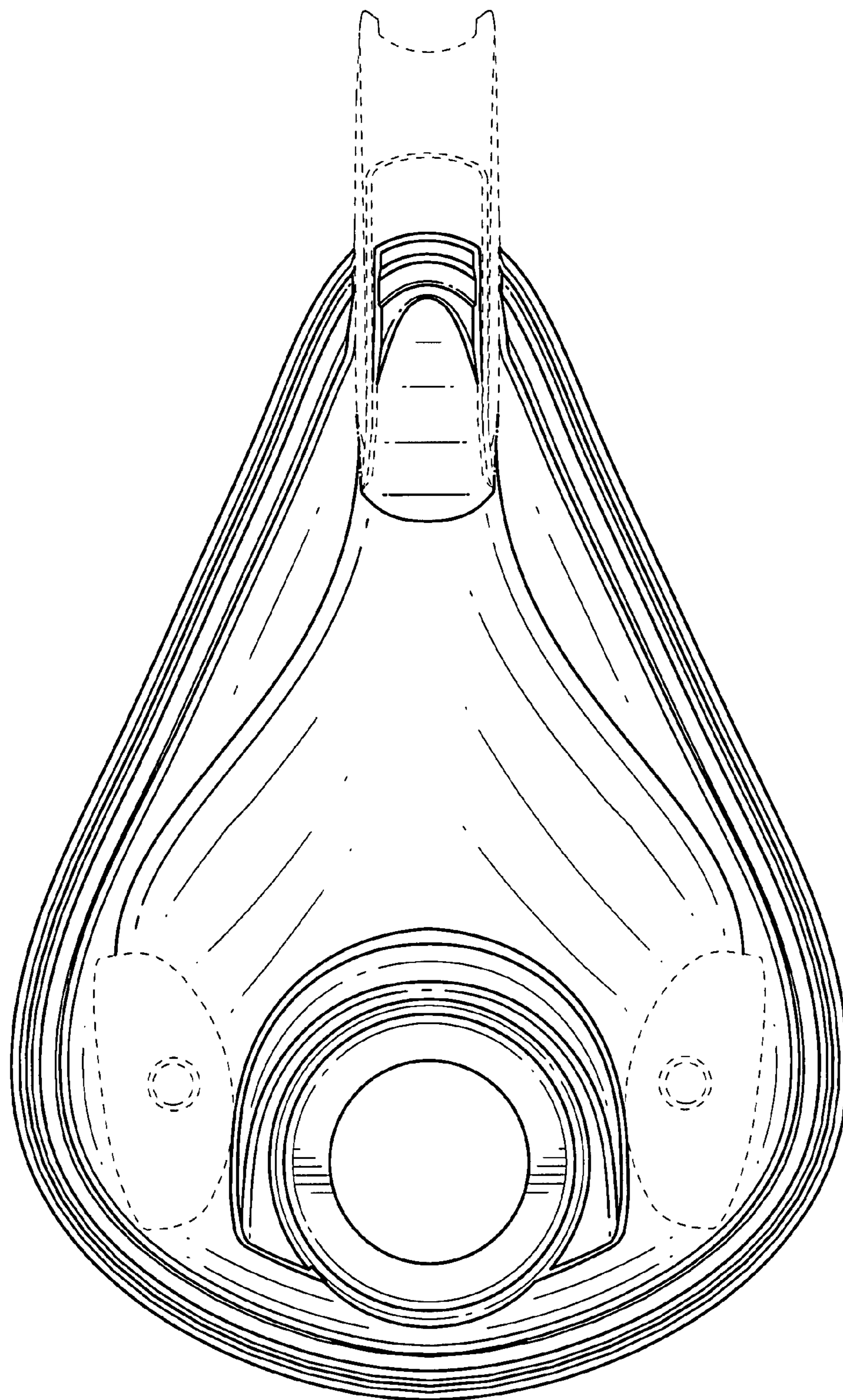


Fig. 24

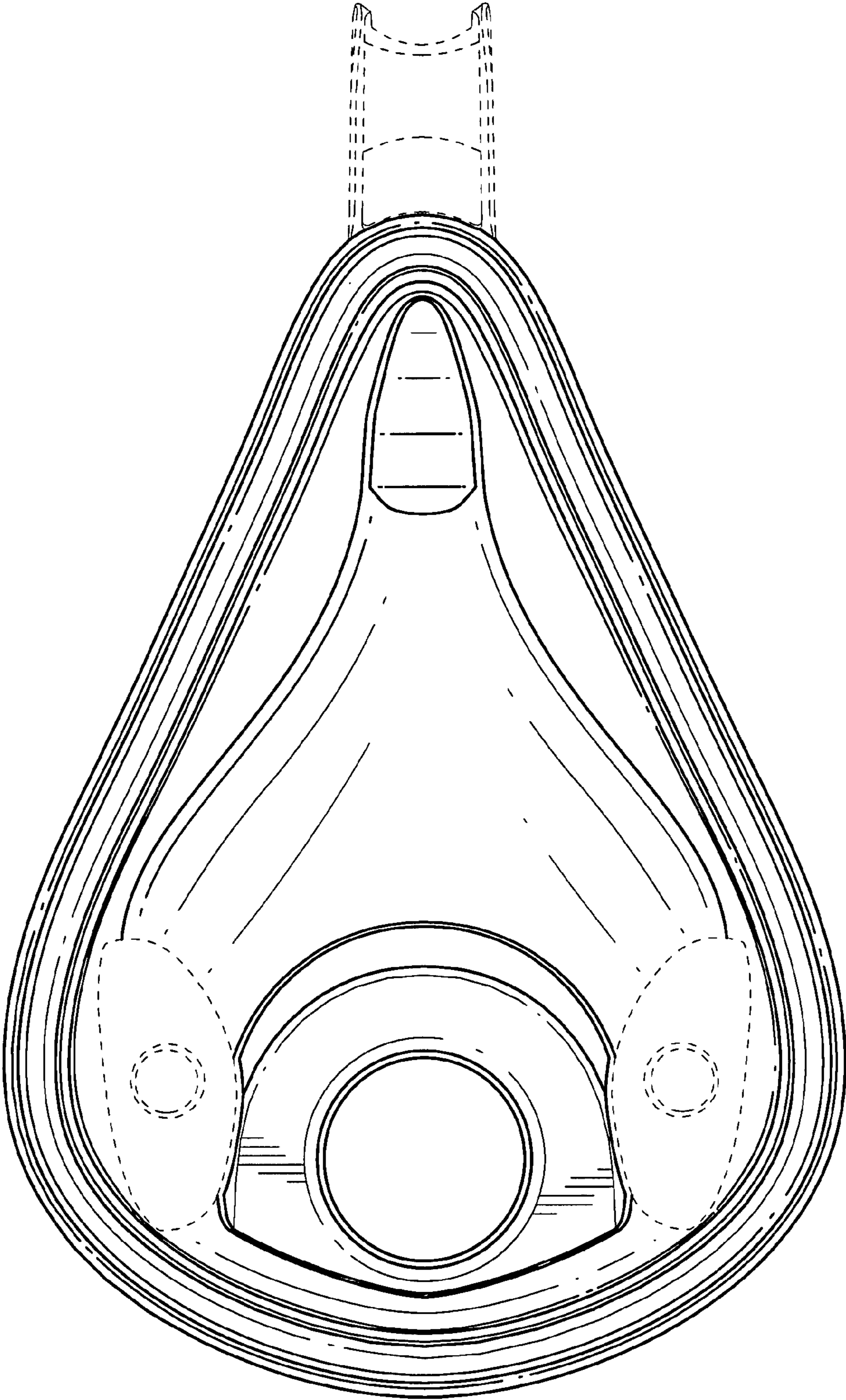


Fig. 25



Fig. 26

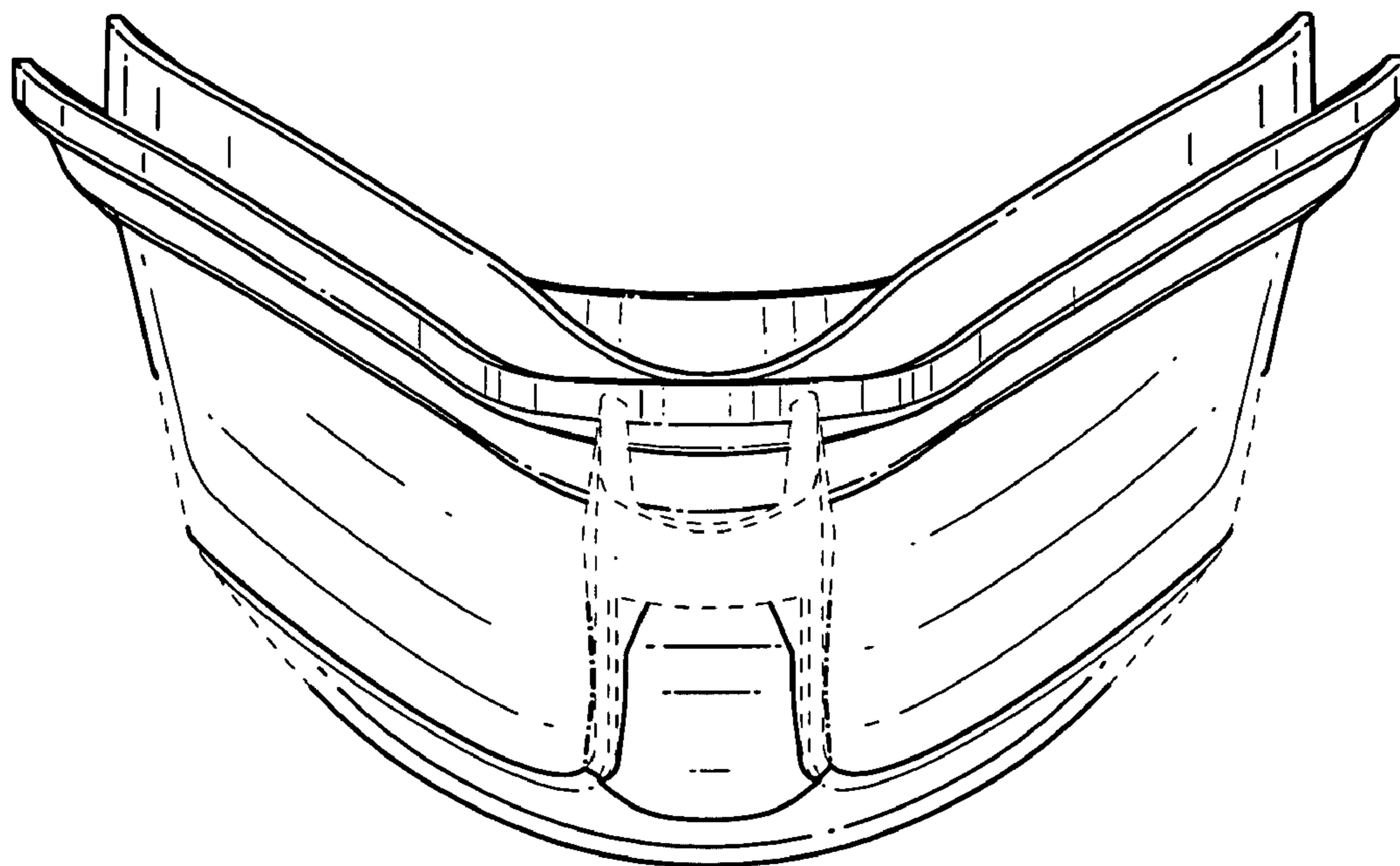


Fig. 27

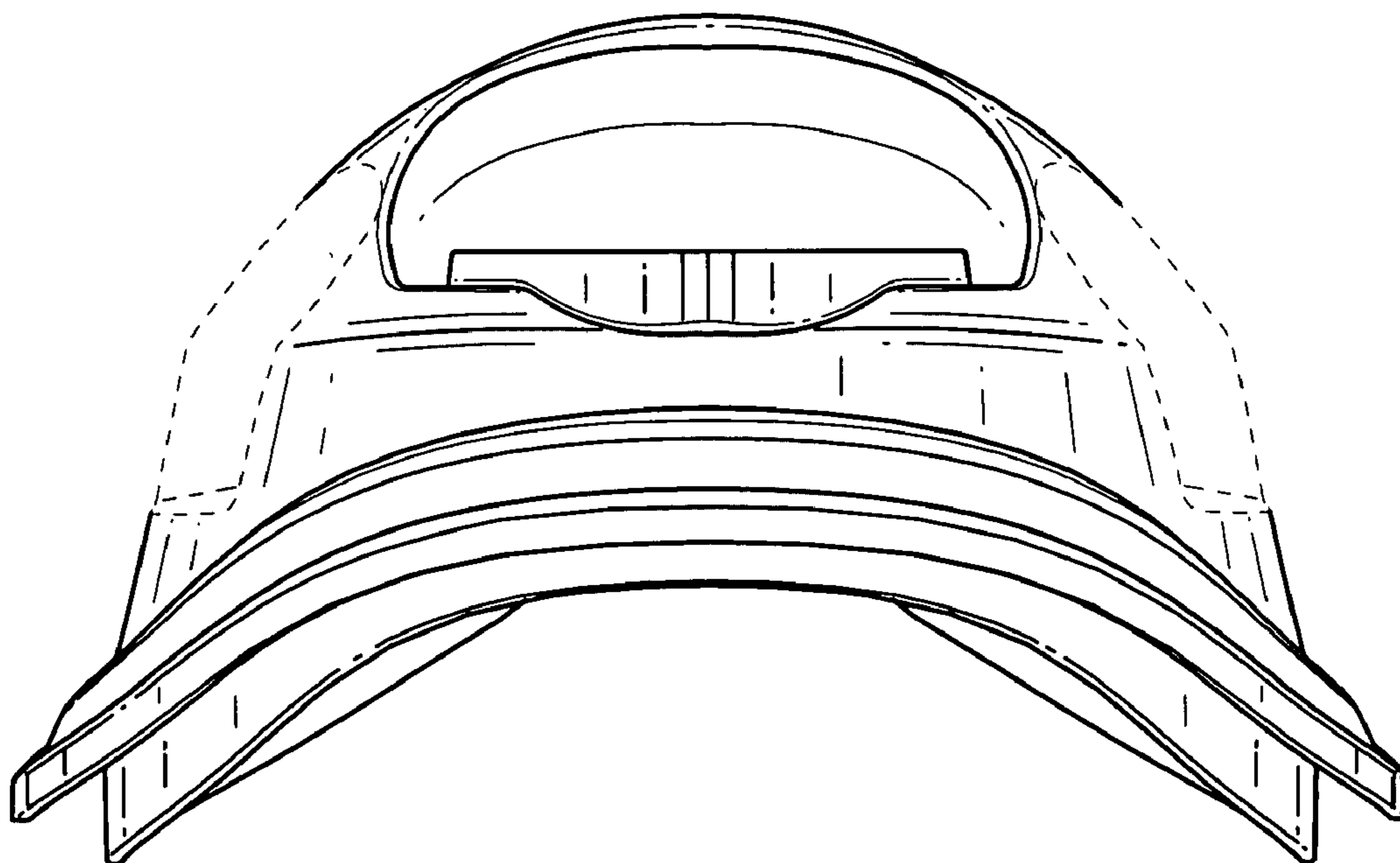


Fig. 28