



US00D585976S

(12) **United States Design Patent**
Chen et al.

(10) **Patent No.:** **US D585,976 S**

(45) **Date of Patent:** **** Feb. 3, 2009**

(54) **FAN**

(75) Inventors: **Chin-Ming Chen**, Taoyuan Hsien (TW);
Yu-Hung Huang, Taoyuan Hsien (TW);
Chih-Hao Hsia, Taoyuan Hsien (TW);
Shu-Hui Chan, Taoyuan Hsien (TW);
Hao-Wen Ko, Taoyuan Hsien (TW)

(73) Assignee: **Delta Electronics Inc.**, Taoyuan Hsien (TW)

(**) Term: **14 Years**

(21) Appl. No.: **29/290,615**

(22) Filed: **Dec. 6, 2007**

(51) **LOC (9) Cl.** **23-04**

(52) **U.S. Cl.** **D23/413**

(58) **Field of Classification Search** D23/370,
D23/379, 413; 416/223 R, 238, 243, 179,
416/182; 361/695

See application file for complete search history.

(56) **References Cited**

U.S. PATENT DOCUMENTS

D485,904 S * 1/2004 Tsai et al. D23/413

D486,572 S * 2/2004 Chen et al. D23/413

D509,584 S * 9/2005 Li et al. D23/413
7,365,975 B2 * 4/2008 Xia et al. 361/695
D571,000 S * 6/2008 Bei et al. D23/413

* cited by examiner

Primary Examiner—Lisa P Lichtenstein

(74) *Attorney, Agent, or Firm*—Birch, Stewart, Kolasch & Birch, LLP

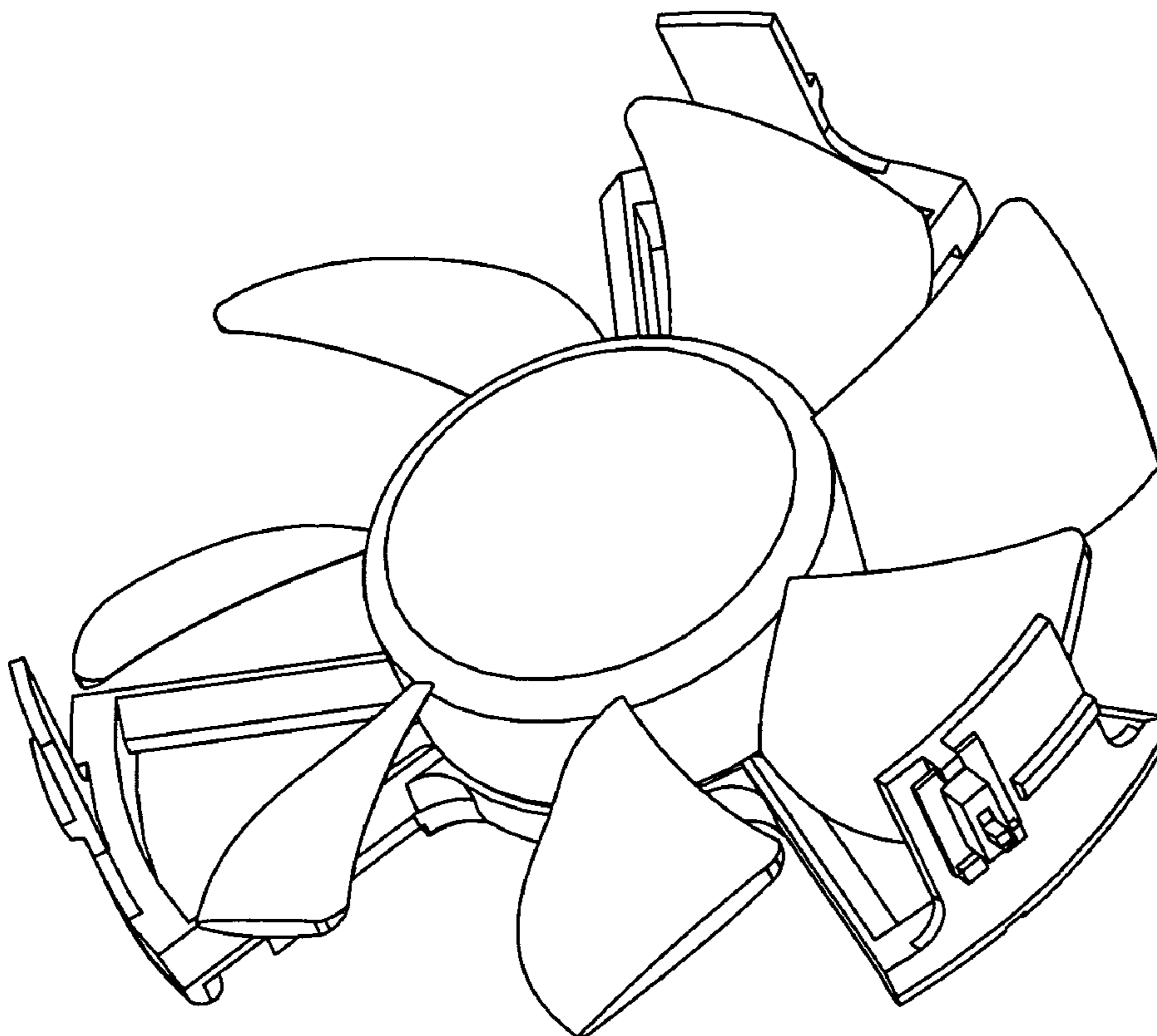
(57) **CLAIM**

The ornamental design for a fan, as shown and described herein.

DESCRIPTION

FIG. 1 is a perspective view of a fan showing our new design; FIG. 2 is a bottom plan view thereof; FIG. 3 is a top plan view thereof; FIG. 4 is a front elevational view thereof; FIG. 5 is a rear elevational view thereof; FIG. 6 is a left side elevational view thereof; and, FIG. 7 is a right side elevational view thereof.

1 Claim, 5 Drawing Sheets



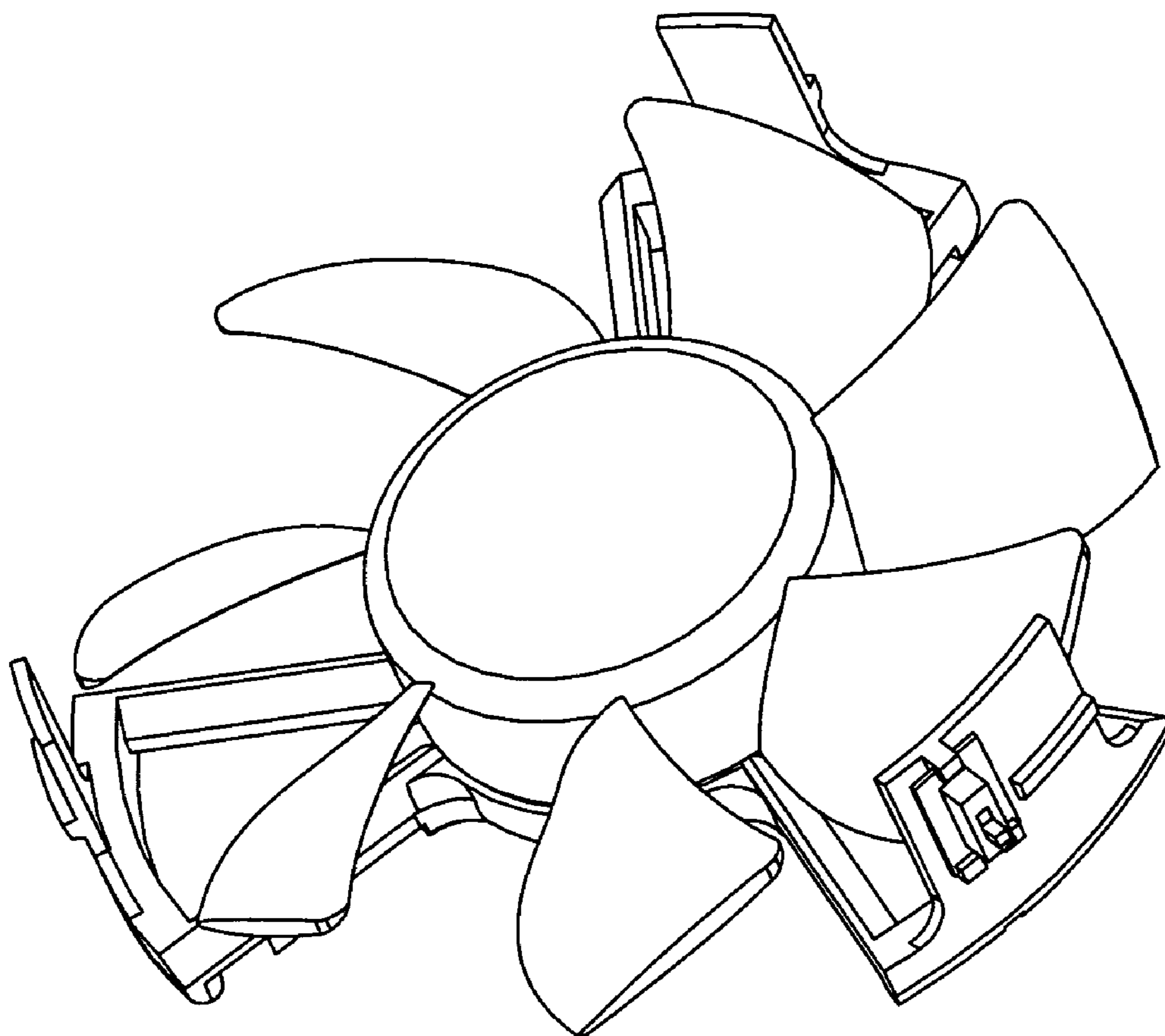


Fig. 1

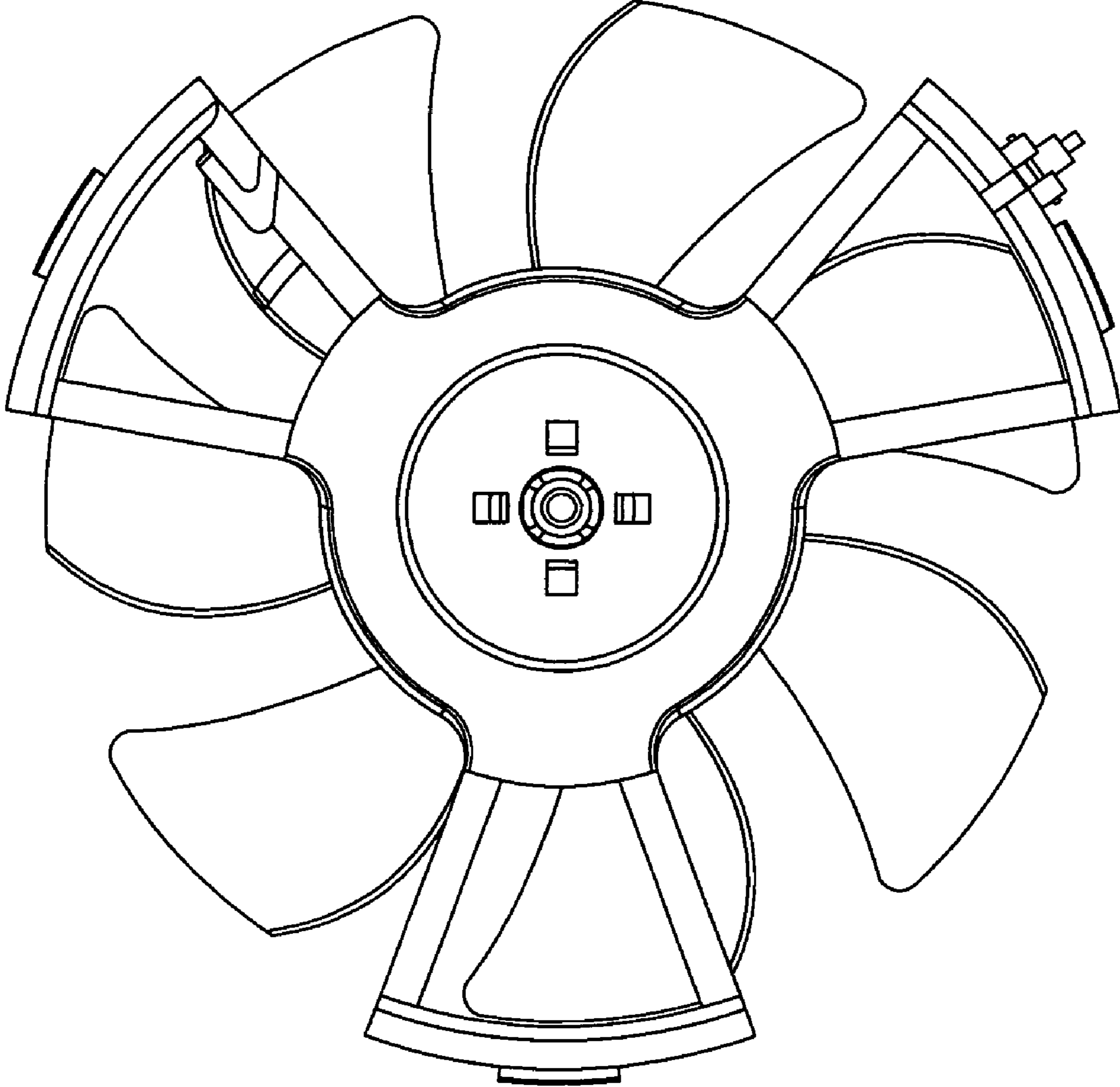


Fig. 2

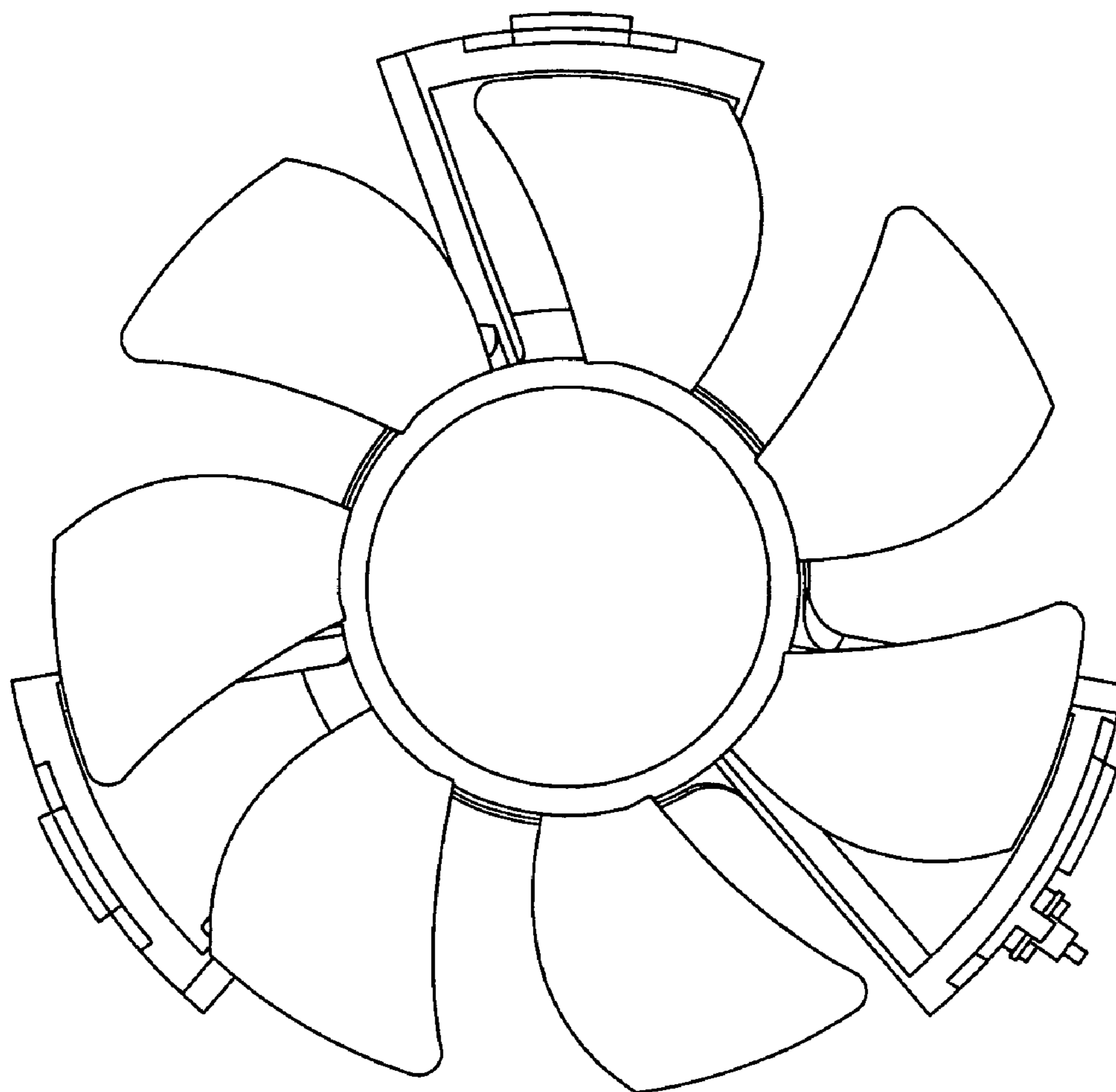


Fig. 3

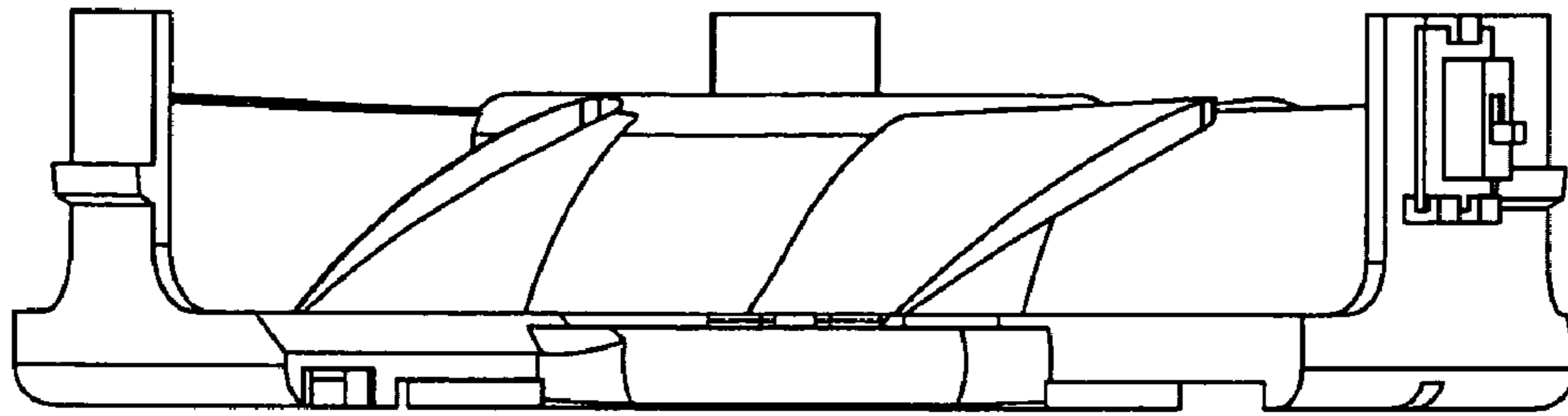


Fig. 4

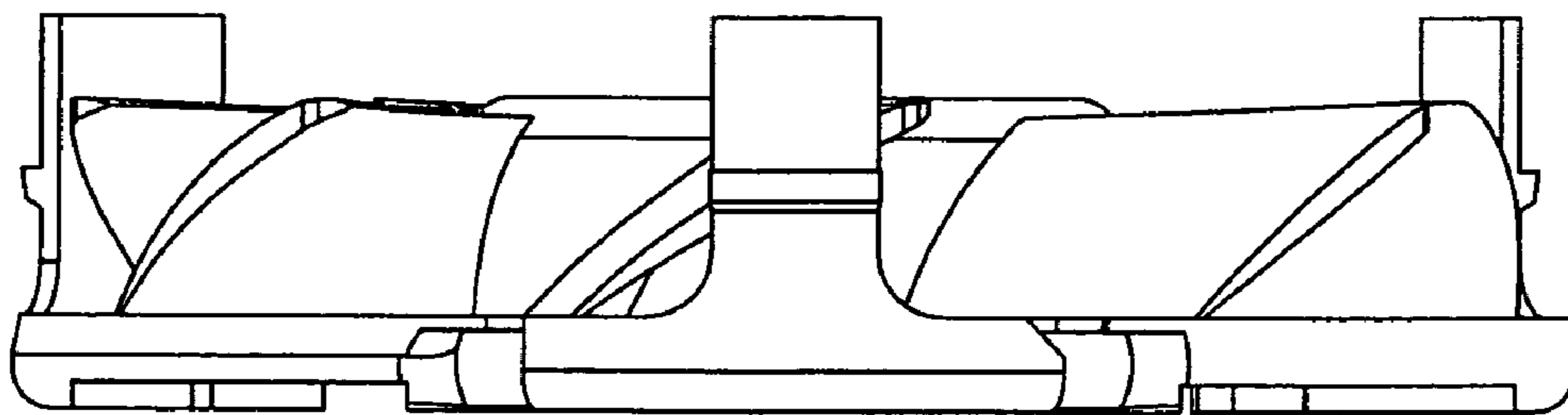


Fig. 5

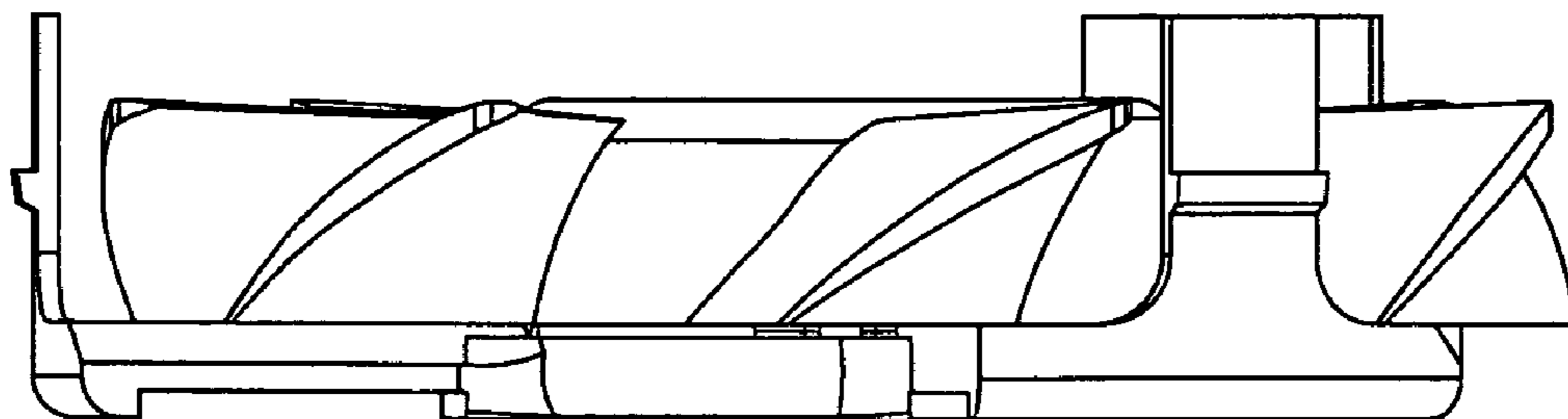


Fig. 6

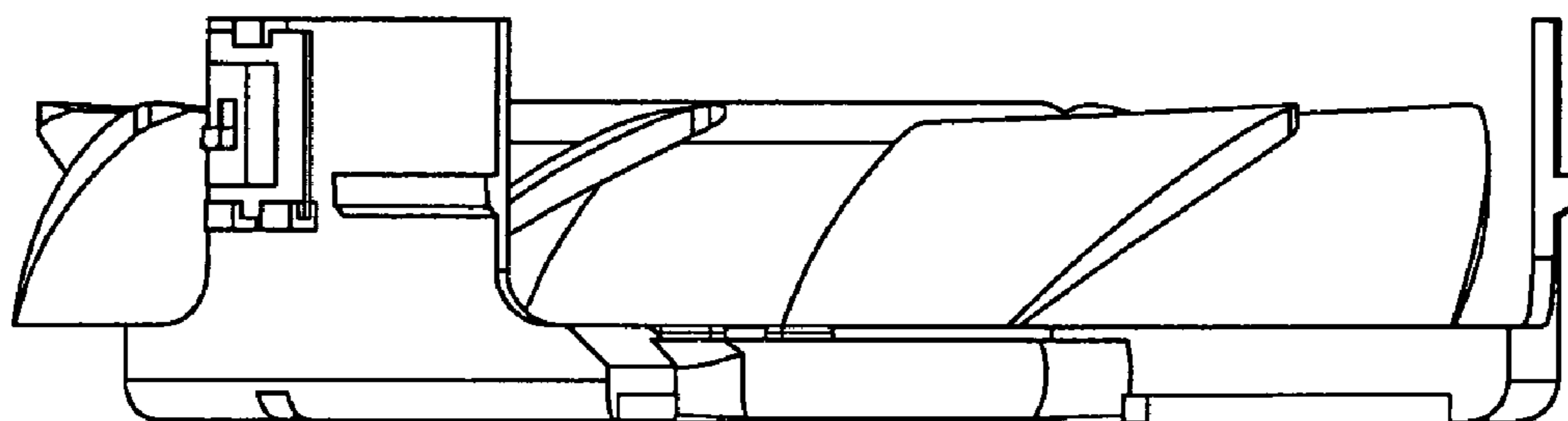


Fig. 7