



US00D585974S

(12) **United States Design Patent**
Curtin

(10) **Patent No.:** **US D585,974 S**
(45) **Date of Patent:** **** Feb. 3, 2009**

(54) **CEILING FAN HOUSING**

(75) Inventor: **Brett Curtin**, Scottsdale, AZ (US)
(73) Assignee: **Craftmade International, Inc.**, Coppel, TX (US)
(**) Term: **14 Years**
(21) Appl. No.: **29/292,355**
(22) Filed: **Oct. 10, 2007**

Primary Examiner—Lisa P Lichtenstein
(74) *Attorney, Agent, or Firm*—Munsch, Hardt, Kopf & Harr PC

(57) **CLAIM**

The ornamental design for a ceiling fan housing, as shown and described.

(51) **LOC (9) Cl.** **23-04**
(52) **U.S. Cl.** **D23/411**
(58) **Field of Classification Search** D23/377,
D23/379, 385, 411, 413; 416/5
See application file for complete search history.

DESCRIPTION

FIG. 1 is a perspective view of the ceiling fan housing showing my new design;
FIG. 2 front elevational view thereof, the rear elevational view being identical thereto;
FIG. 3 is a top plan view thereof; and,
FIG. 4 is a bottom plan view thereof.

(56) **References Cited**

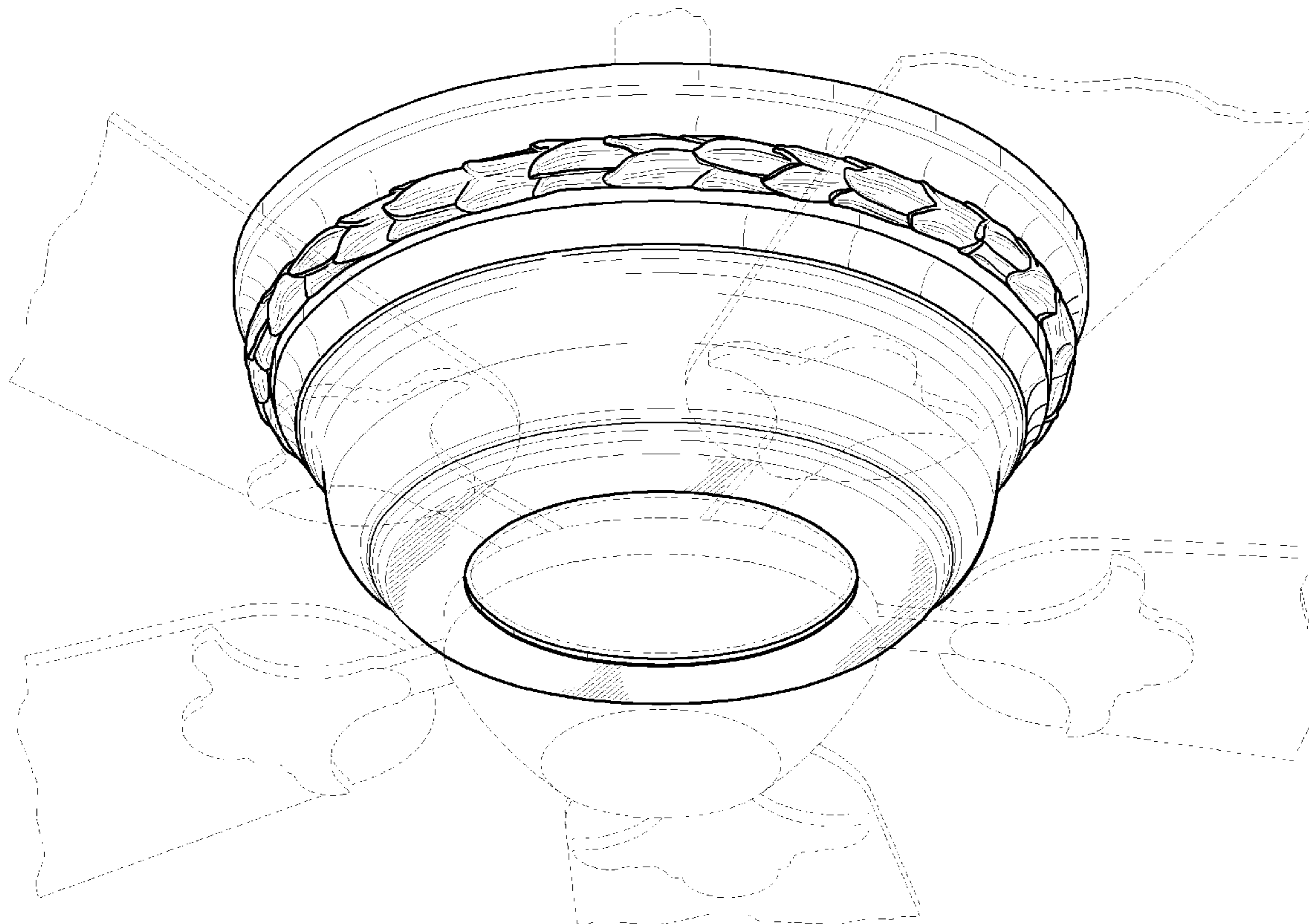
U.S. PATENT DOCUMENTS

D400,977 S	*	11/1998	Davis, Jr.	D23/411
D532,101 S	*	11/2006	Curtin	D23/411
D539,897 S	*	4/2007	Pickett	D23/411
D545,424 S	*	6/2007	Ertze	D23/411
D556,887 S	*	12/2007	Curtin	D23/411

The broken line showing of the ceiling fan blades, blade irons, support rod and light fixture is included for the purpose of illustrating environmental structure and forms no part of the claimed design.

* cited by examiner

1 Claim, 4 Drawing Sheets



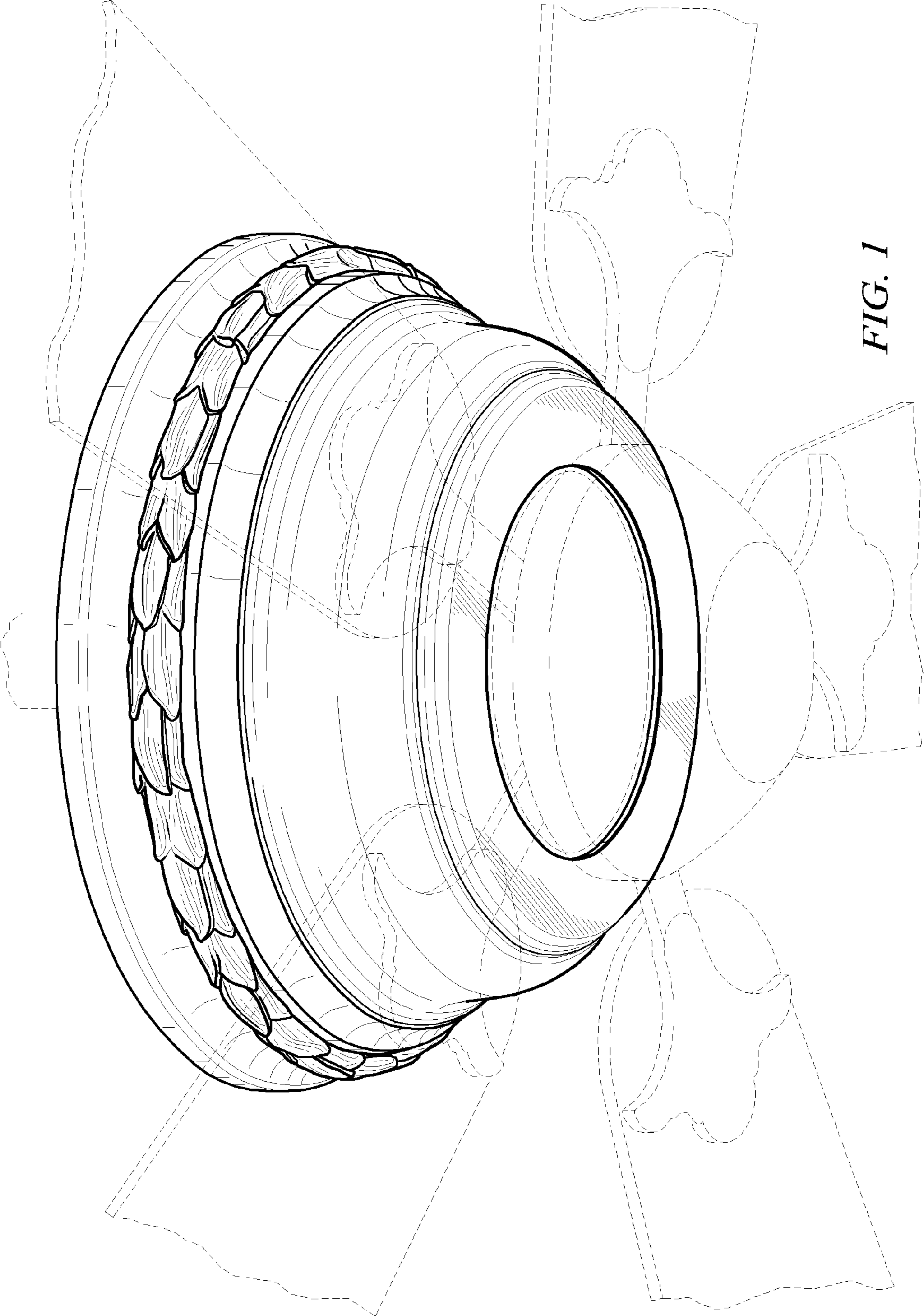


FIG. 1

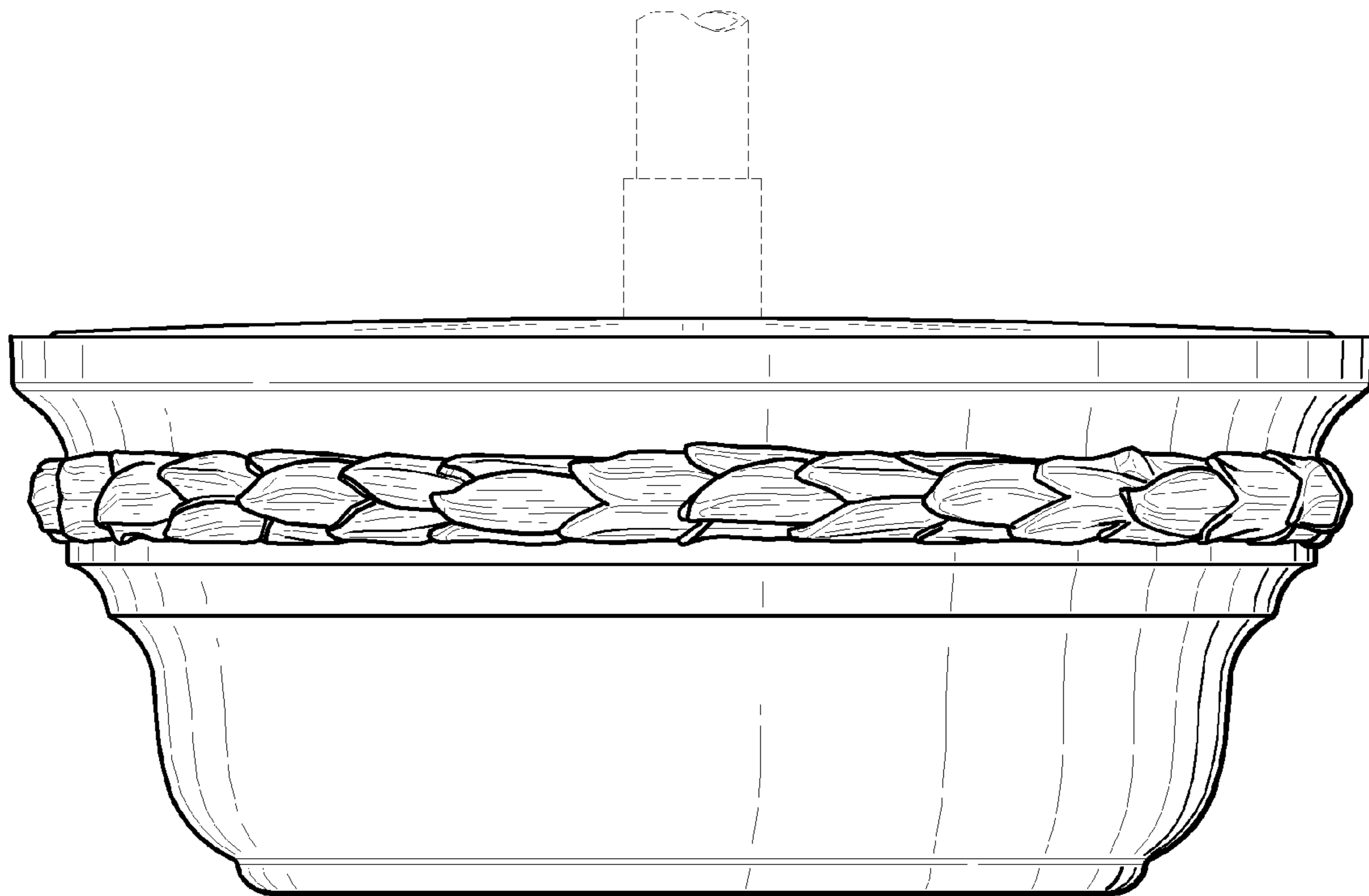


FIG. 2

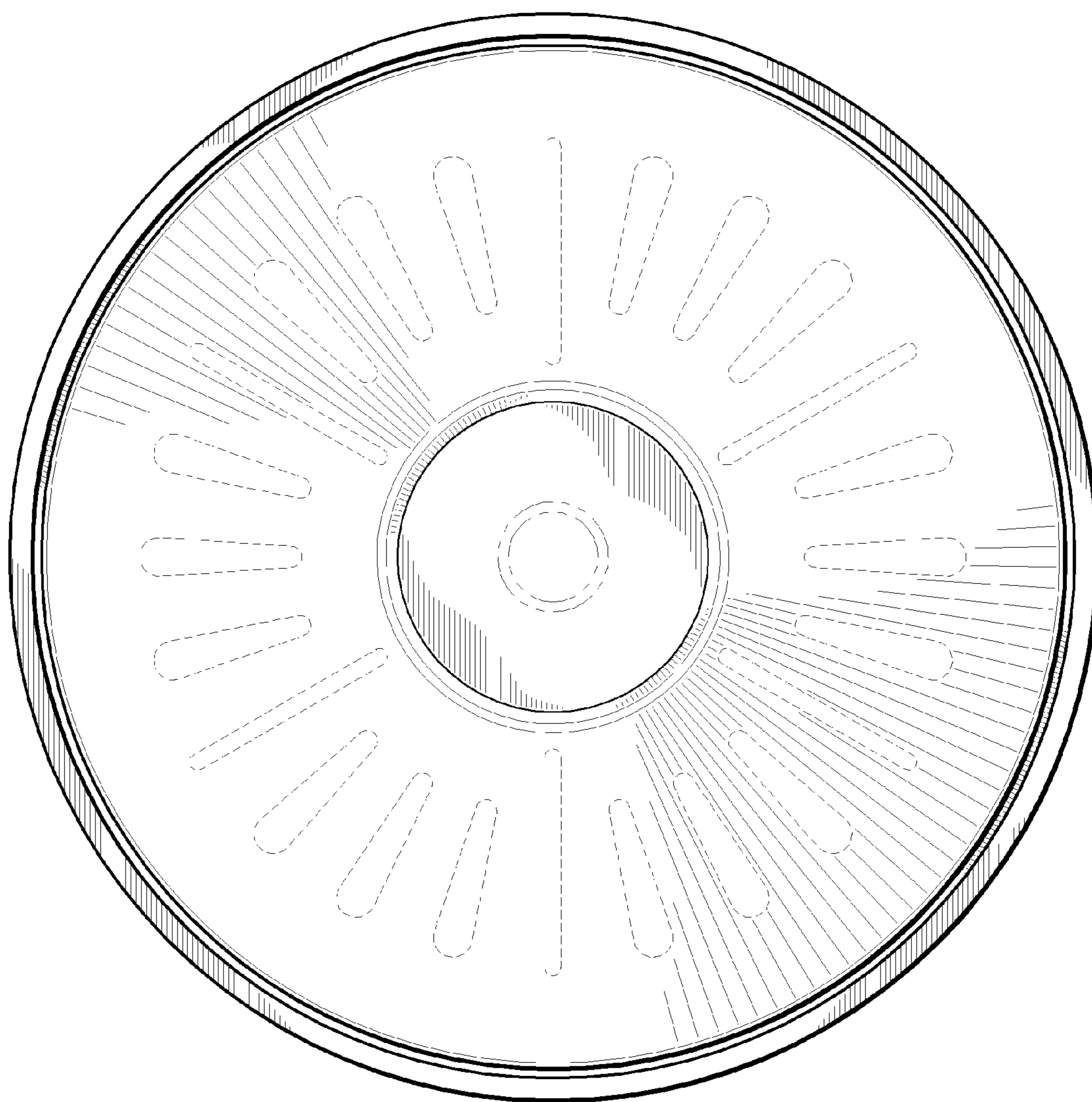


FIG. 3

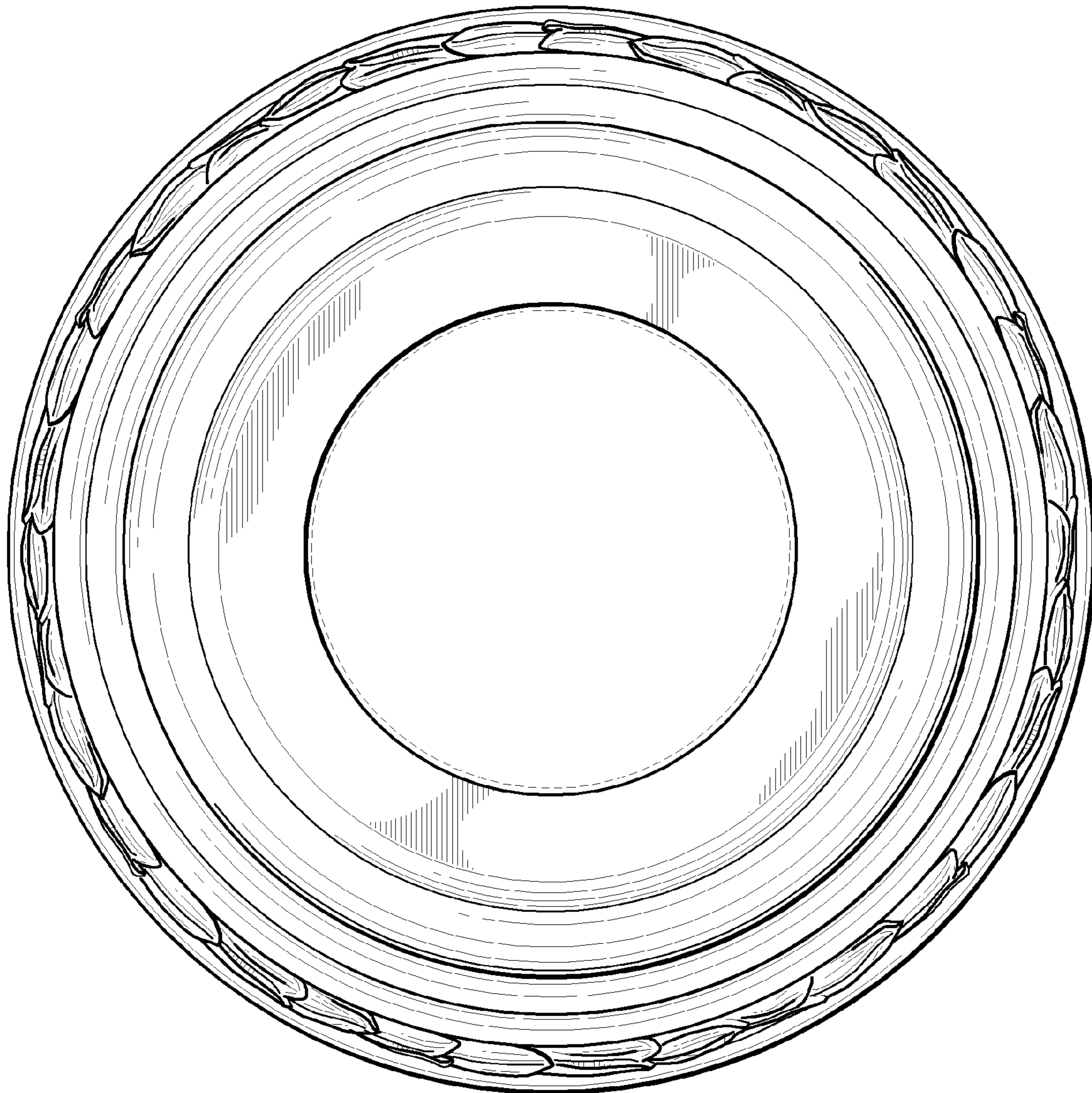


FIG. 4