



US00D585973S

(12) **United States Design Patent**
Geleziunas

(10) **Patent No.:** **US D585,973 S**

(45) **Date of Patent:** **** Feb. 3, 2009**

(54) **BASEBOARD HEATER**

(75) Inventor: **Joe Geleziunas**, Markham (CA)

(73) Assignee: **Stelpro Design Inc.**, Saint-Bruno, Quebec

(**) Term: **14 Years**

(21) Appl. No.: **29/305,749**

(22) Filed: **Mar. 27, 2008**

(51) **LOC (9) Cl.** **23-03**

(52) **U.S. Cl.** **D23/395**

(58) **Field of Classification Search** D23/395,
D23/389, 342, 347, 386, 388, 393; 237/79;
165/55, 65; 494/193, 184

See application file for complete search history.

(56) **References Cited**

U.S. PATENT DOCUMENTS

| | | | | | | |
|--------------|----|---|---------|--------------|-------|---------|
| D110,675 | S | * | 7/1938 | Roithner | | D23/395 |
| D211,790 | S | * | 7/1968 | Murray | | D23/389 |
| 3,534,724 | A | * | 10/1970 | Petz | | D23/395 |
| D263,420 | S | * | 3/1982 | Johnson | | D23/395 |
| D285,830 | S | * | 9/1986 | Daily et al. | | D23/388 |
| 4,761,537 | A | * | 8/1988 | Hayes | | 165/55 |
| D340,281 | S | * | 10/1993 | Callas | | D23/386 |
| D370,058 | S | * | 5/1996 | Bostrom | | D23/386 |
| 5,790,748 | A | * | 8/1998 | Tamhane | | D23/389 |
| D468,418 | S | * | 1/2003 | Ilicic | | D23/395 |
| 2001/0020646 | A1 | * | 9/2001 | Hebert | | 237/79 |

| | | | | | | |
|--------------|----|---|--------|-------------|-------|---------|
| 2007/0004327 | A1 | * | 1/2007 | Tao et al. | | 454/184 |
| 2007/0190921 | A1 | * | 8/2007 | Heim et al. | | 454/184 |

OTHER PUBLICATIONS

Westcan Mark VII baseboard heater, Excerpt from Westcan brochure, dated Mar. 19, 1989.

* cited by examiner

Primary Examiner—T. Chase Nelson
Assistant Examiner—David G Muller

(57) **CLAIM**

The design of a baseboard heater, as shown and described.

DESCRIPTION

FIG. 1 is a perspective view from the front and above of a baseboard heater, according to the present design;

FIG. 2 is a perspective view from the back and above thereof;

FIG. 3 is a top view thereof;

FIG. 4 is a left elevational view thereof;

FIG. 5 is a front elevational view thereof;

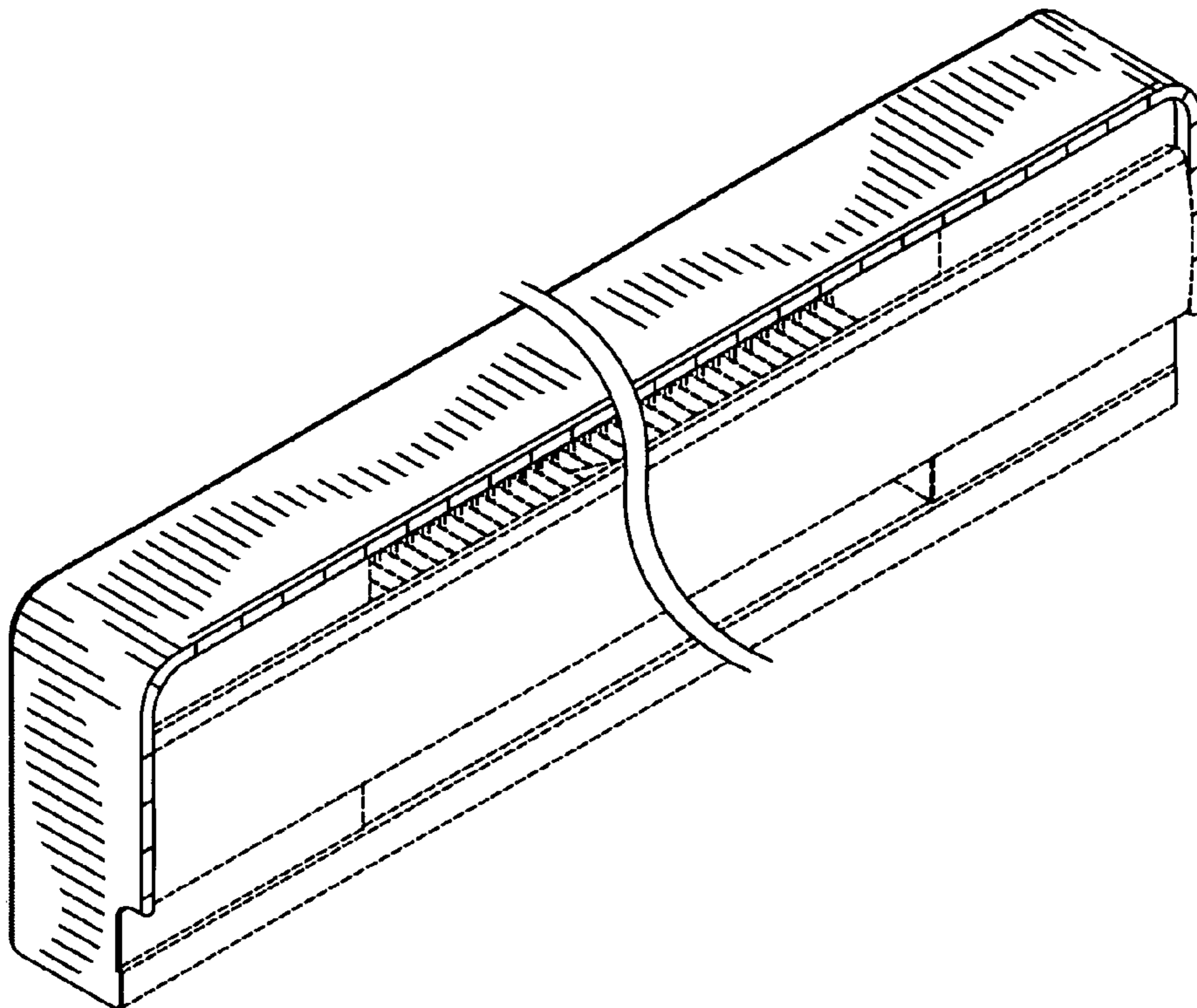
FIG. 6 is a right elevational view thereof; and,

FIG. 7 is a rear elevational view thereof.

The baseboard heater is shown broken to indicate that a specific length forms no part of the claimed design.

The broken line showing of parts of the drawings is included for the purpose of illustrating use and environment and forms no part of the claimed design.

1 Claim, 4 Drawing Sheets



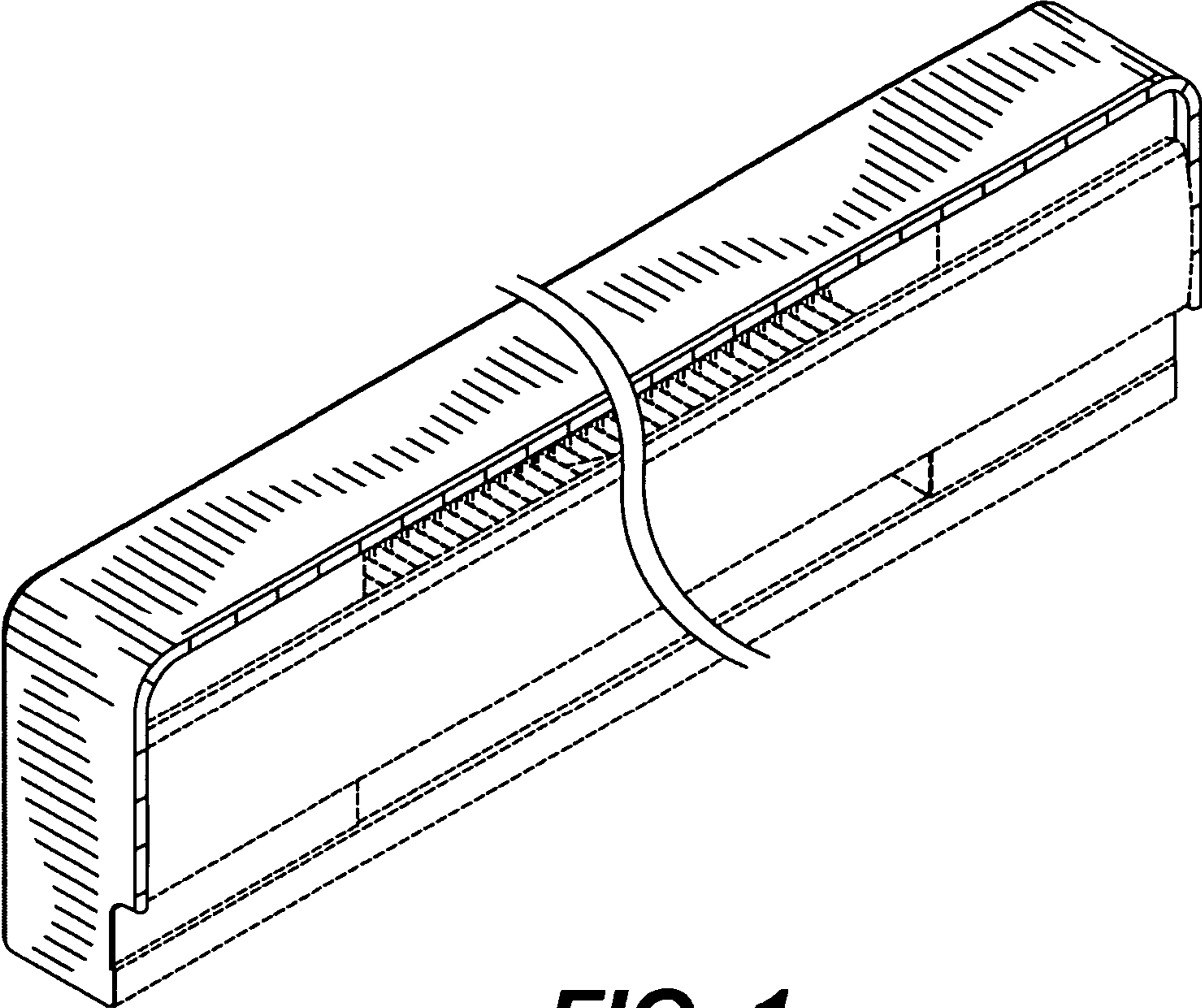


FIG. 1

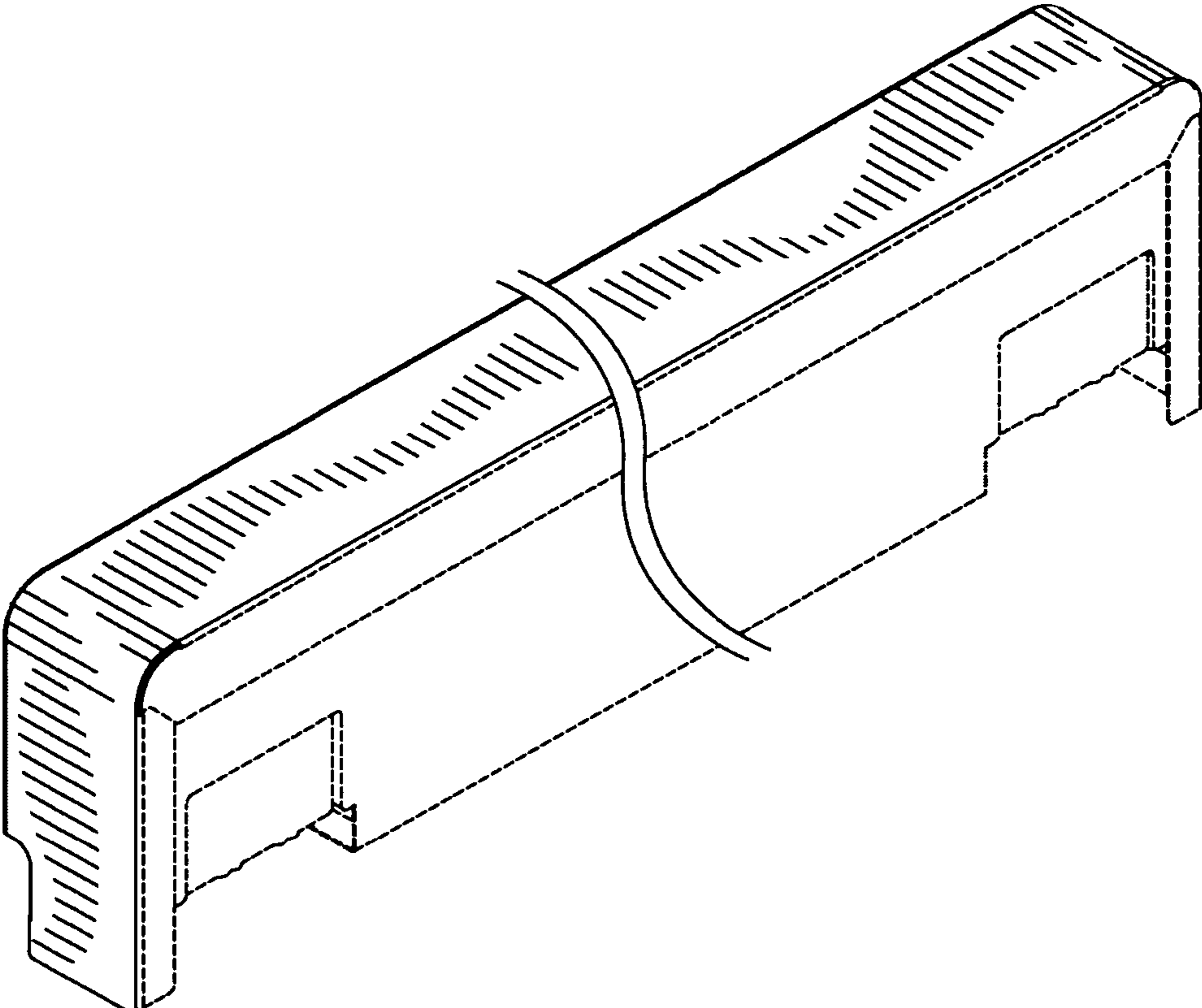


FIG. 2

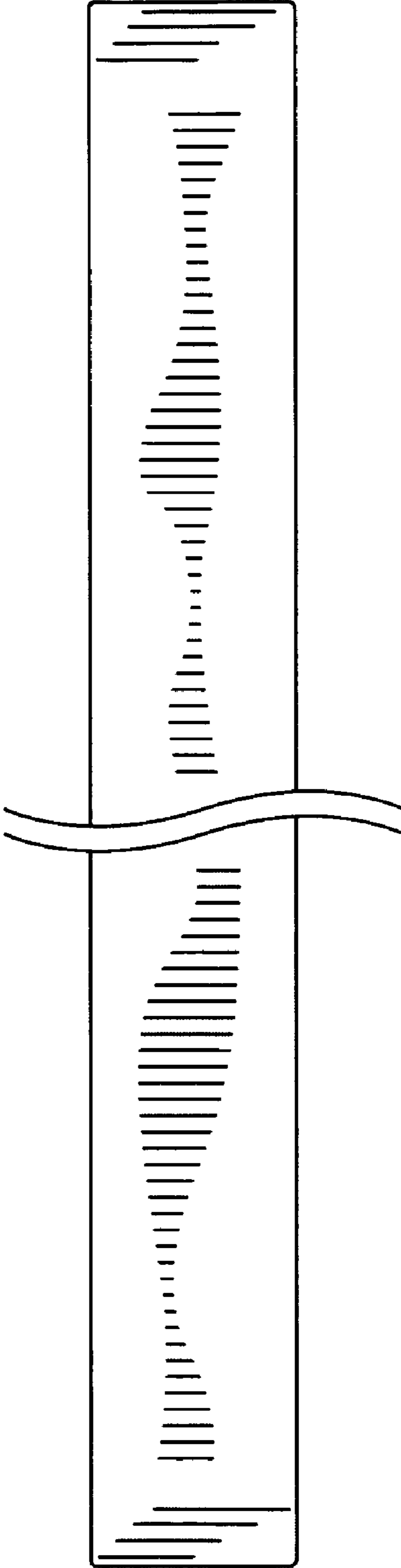


FIG. 3

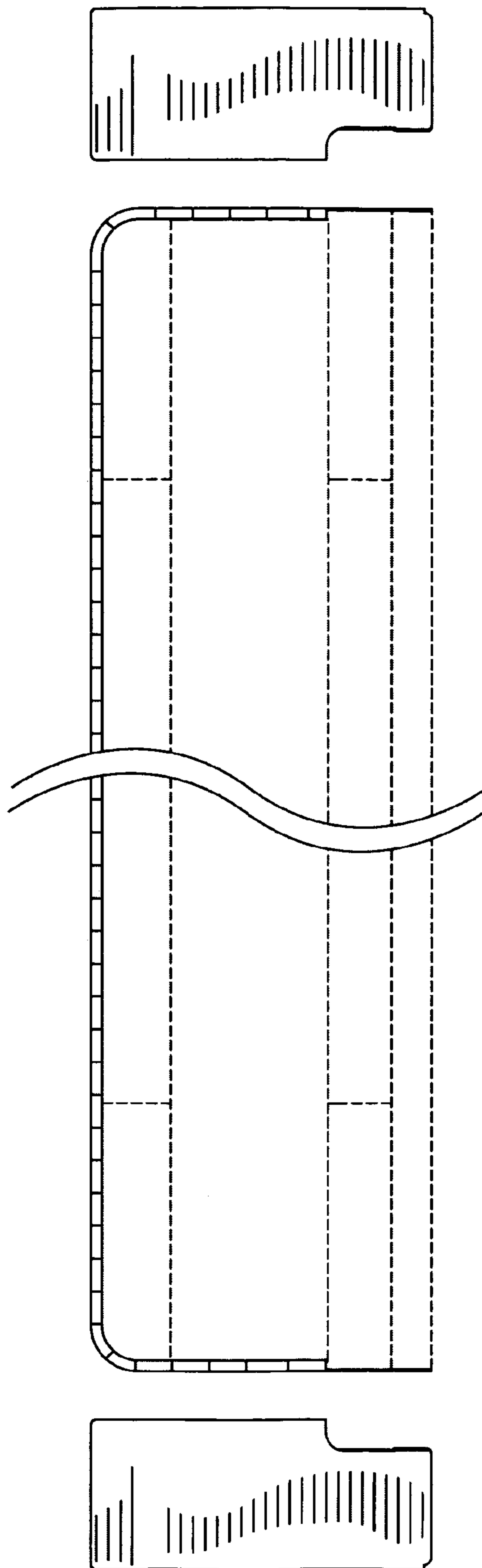


FIG. 4

FIG. 6

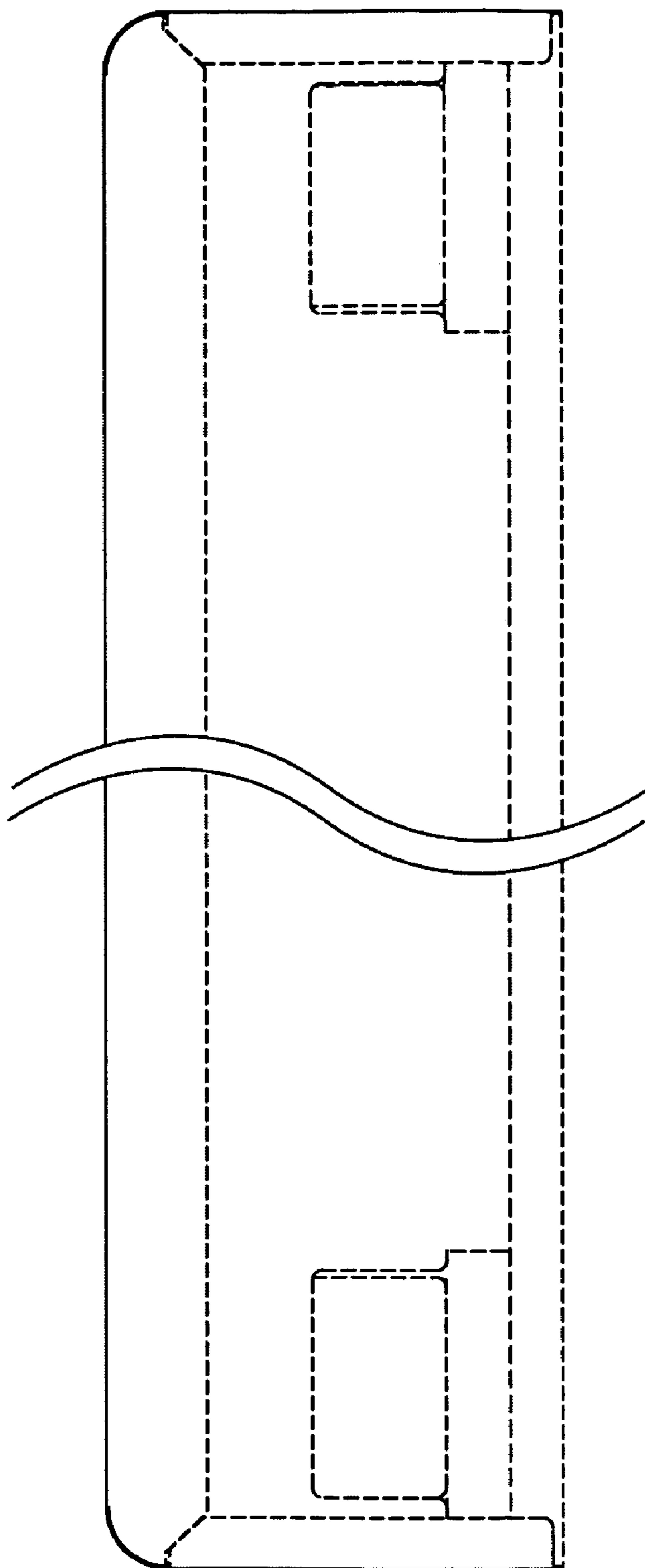


FIG. 7