



US00D585972S

(12) **United States Design Patent**
Allen

(10) **Patent No.:** **US D585,972 S**

(45) **Date of Patent:** **** Feb. 3, 2009**

(54) **BLOWER**

D566,823 S * 4/2008 Lewis D23/383

* cited by examiner

(76) Inventor: **Wayne M. Allen**, 3241 Armagosa Way,
Jamul, CA (US) 91935

Primary Examiner—Lisa P Lichtenstein

(74) *Attorney, Agent, or Firm*—Palomar Patent; Calif Tervo

(**) Term: **14 Years**

(57) **CLAIM**

(21) Appl. No.: **29/307,486**

The ornamental design for a blower, as shown and described.

(22) Filed: **Apr. 22, 2008**

DESCRIPTION

(51) **LOC (9) Cl.** **23-04**

FIG. 1 is a perspective view of a blower showing my new design;

(52) **U.S. Cl.** **D23/383**

FIG. 2 is a front elevation view thereof; the rear elevation view being a mirror image;

(58) **Field of Classification Search** D23/383,

D23/370; 415/206, 213.1, 214.1, 204

See application file for complete search history.

FIG. 3 is a left side elevation view thereof; the right side elevation view being a mirror image;

(56) **References Cited**

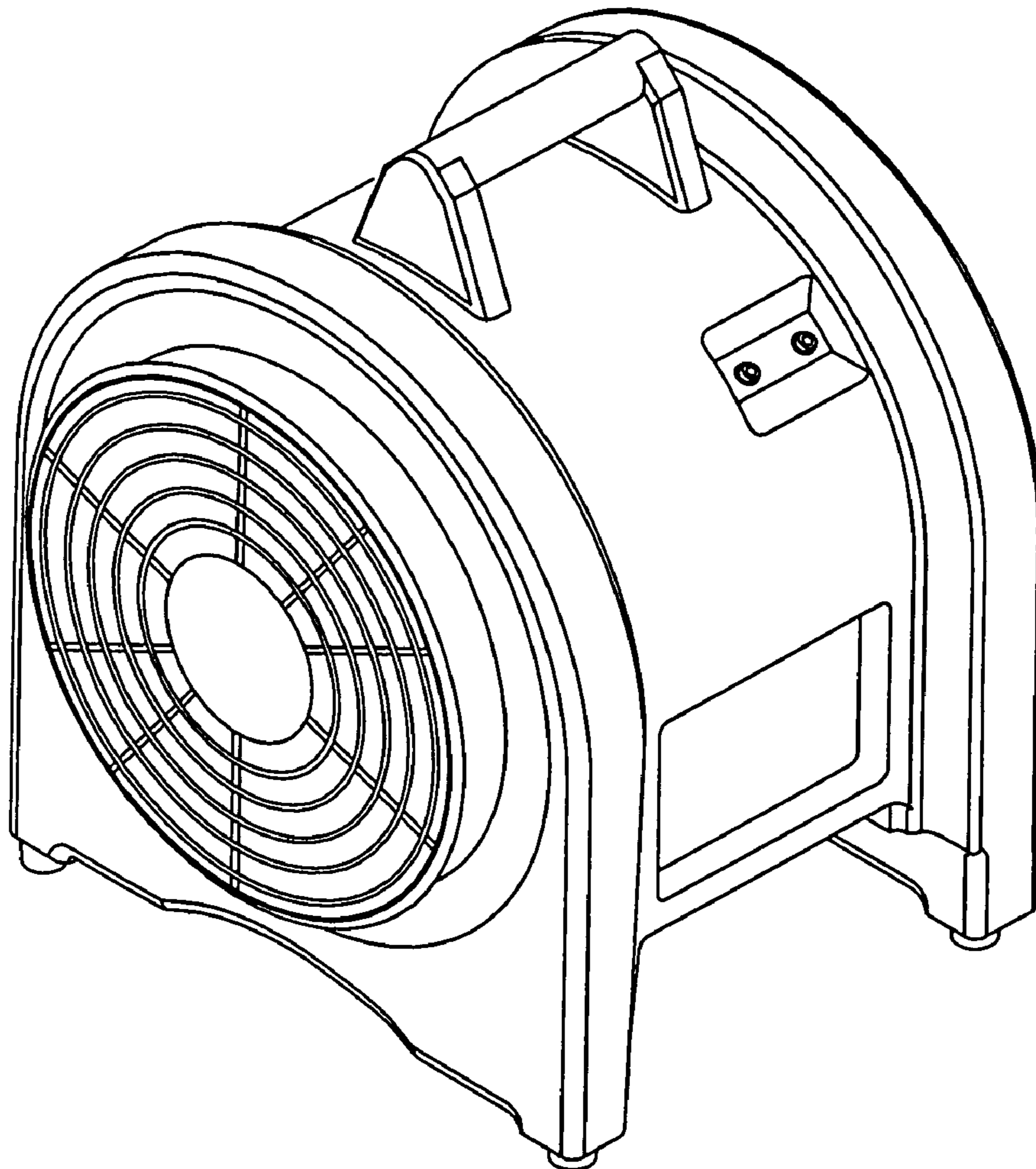
FIG. 4 is a top plan view thereof; and,

U.S. PATENT DOCUMENTS

FIG. 5 is a bottom plan view thereof.

D503,788 S * 4/2005 Wang et al. D23/383

1 Claim, 3 Drawing Sheets



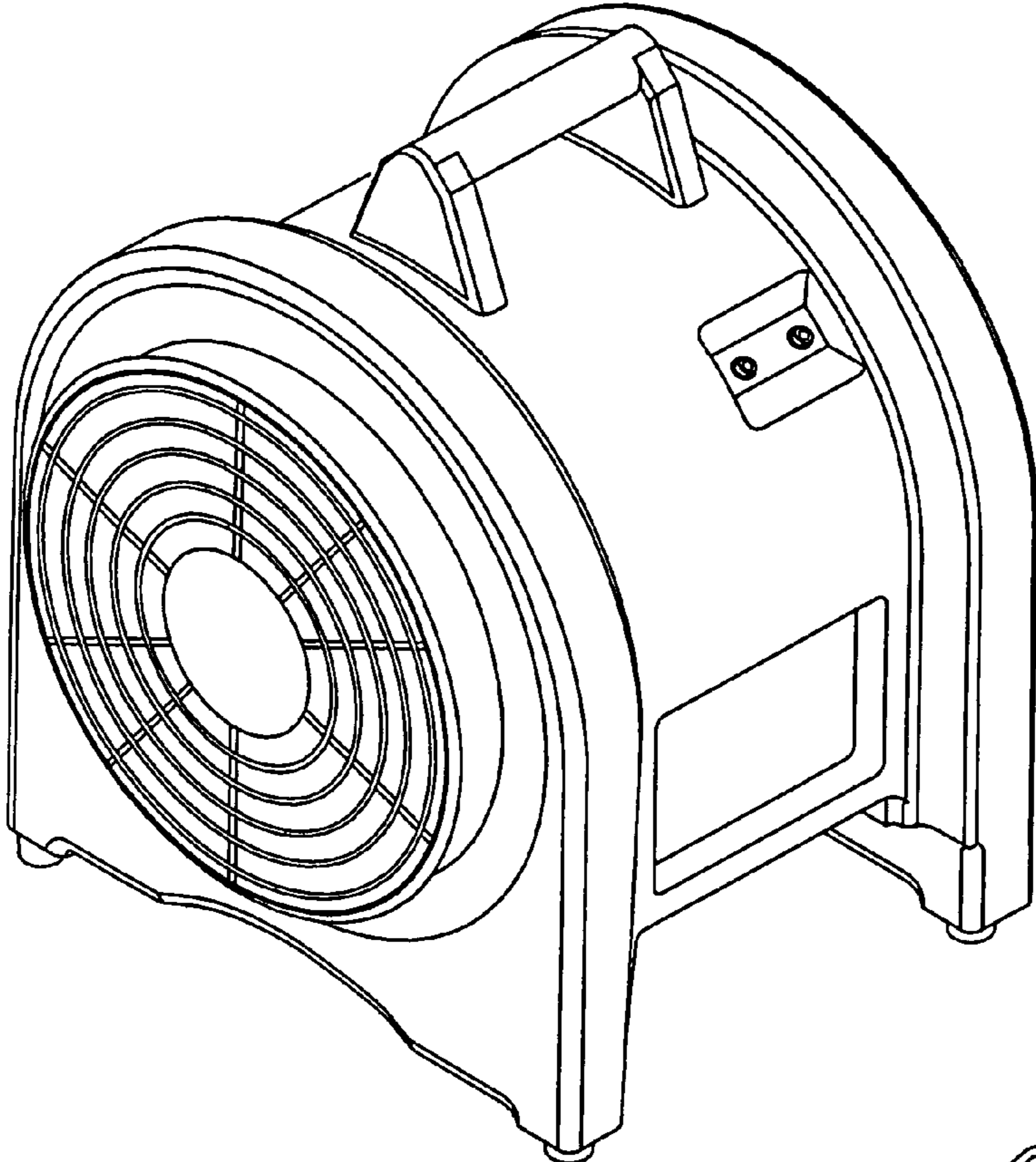


FIG. 1

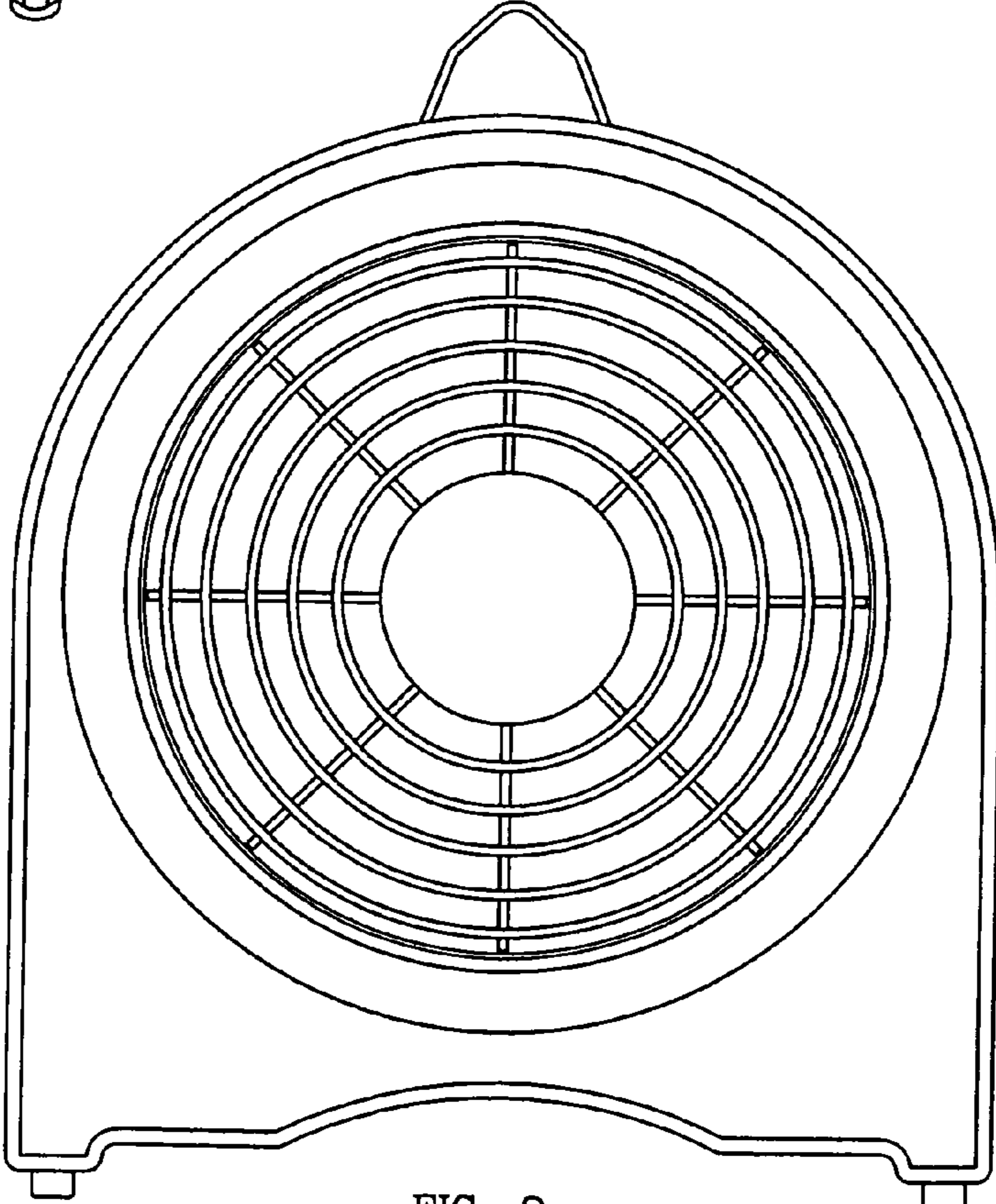
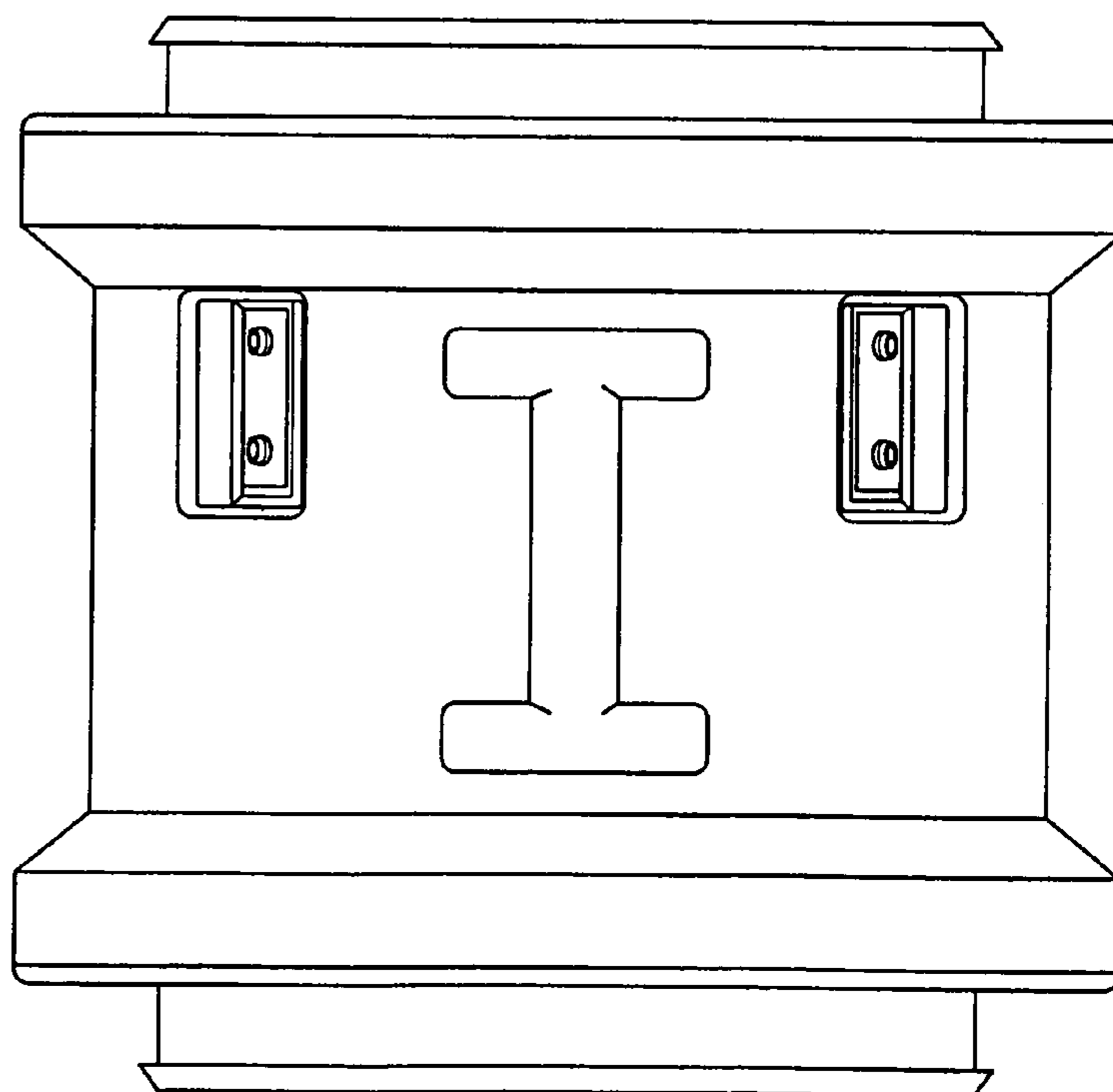
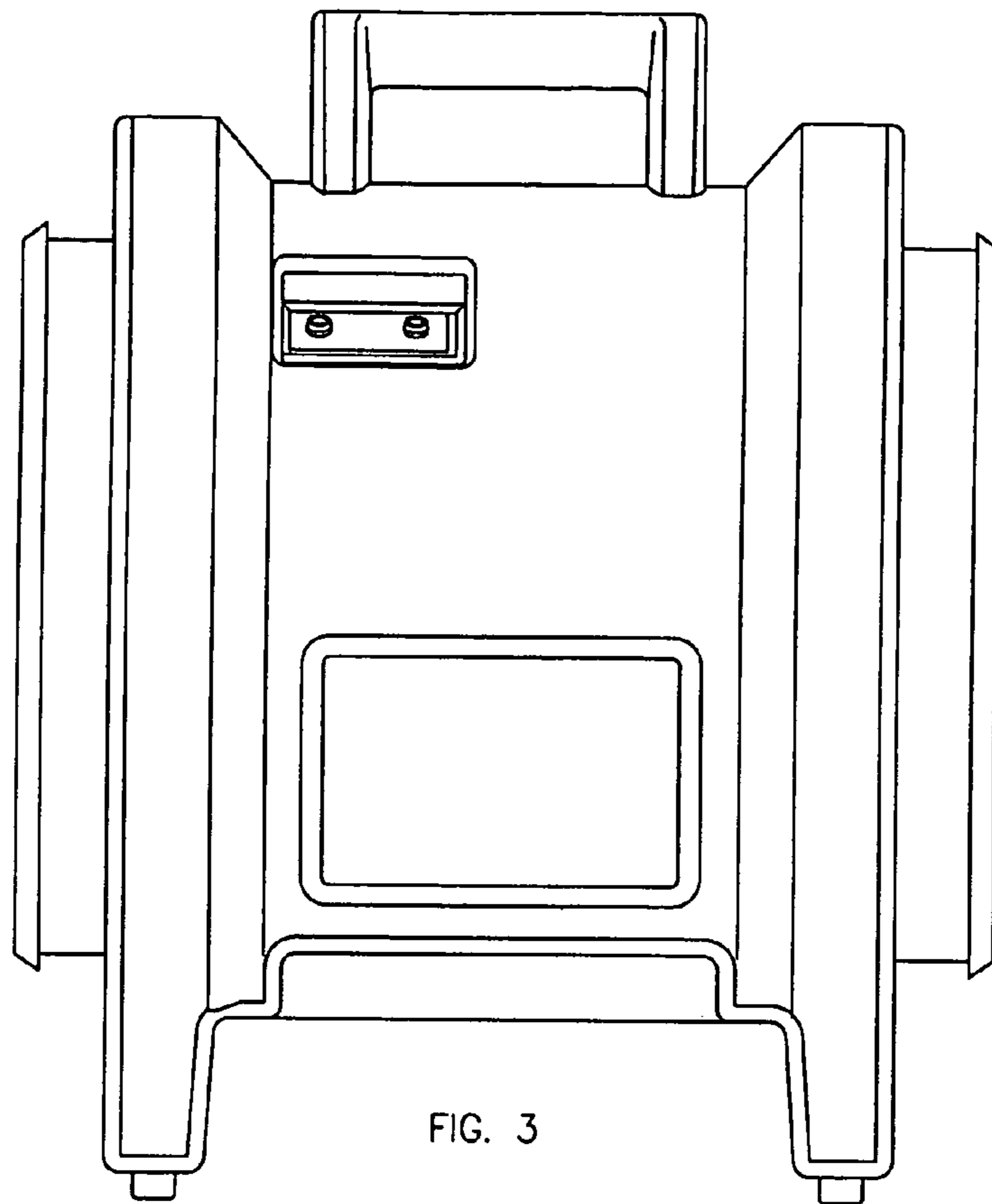


FIG. 2



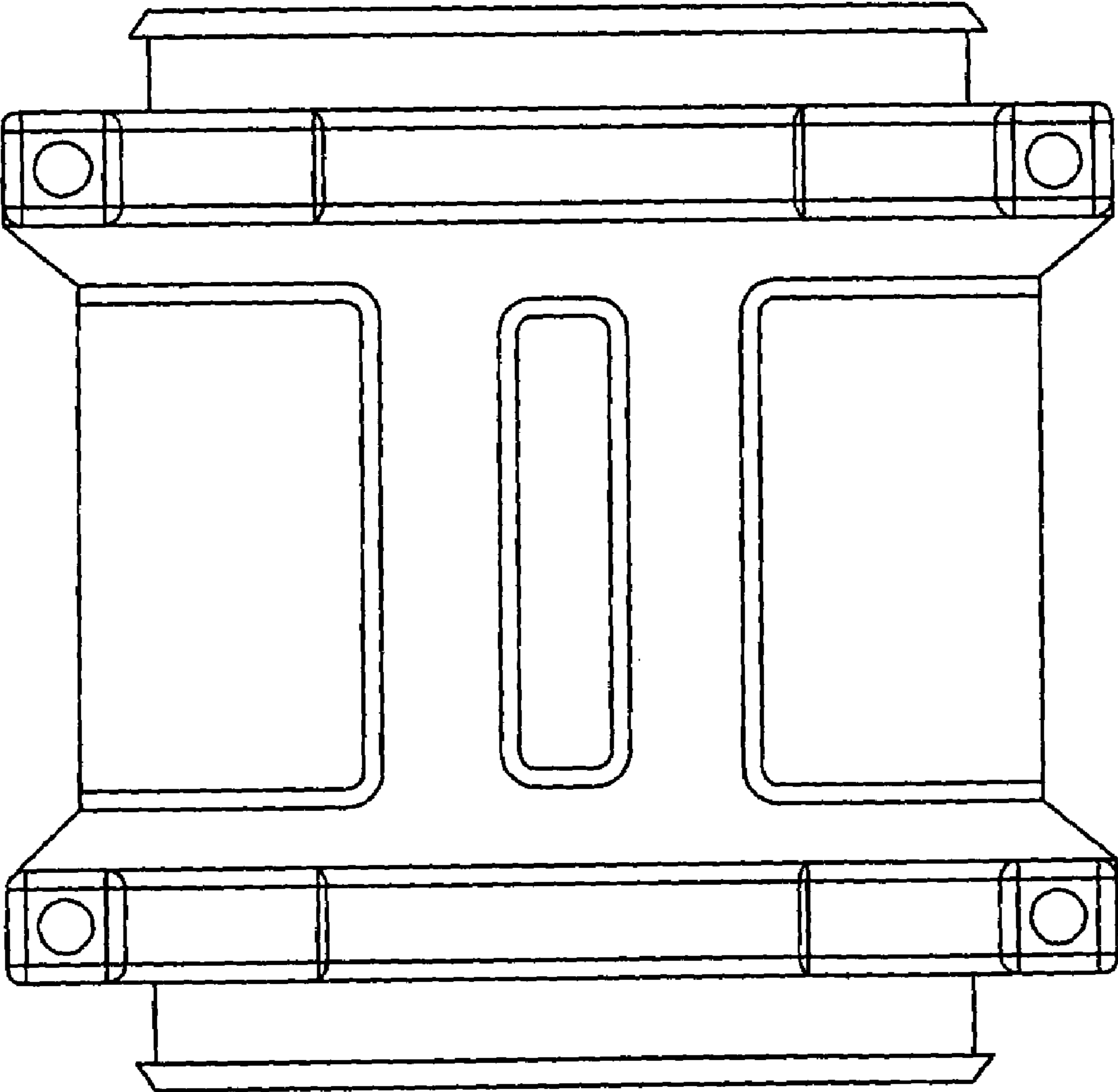


FIG. 5