



US00D585971S

(12) **United States Design Patent**
Carrizales, Jr.

(10) **Patent No.:** **US D585,971 S**
(45) **Date of Patent:** **** Feb. 3, 2009**

(54) **LIGHTED INCENSE BURNER**

(76) Inventor: **David M. Carrizales, Jr.**, 311 Saba Way,
Bakersfield, CA (US) 93314

(**) Term: **14 Years**

(21) Appl. No.: **29/291,330**

(22) Filed: **Aug. 24, 2007**

Related U.S. Application Data

(63) Continuation-in-part of application No. 10/775,287,
filed on Feb. 10, 2004, now abandoned.

(51) **LOC (9) Cl.** **28-99**

(52) **U.S. Cl.** **D23/366**

(58) **Field of Classification Search** 261/DIG. 17,
261/DIG. 42, DIG. 65, DIG. 88, DIG. 89;
D23/355-369; D28/5, 6; 392/386, 401,
392/390-394; 239/34-35, 41-44, 53-60,
239/136, 326; D11/131.1

See application file for complete search history.

(56) **References Cited**

U.S. PATENT DOCUMENTS

D61,140	S	*	6/1922	Lucas	D11/131.1
2,767,018	A	*	10/1956	McDonald	239/34
D234,465	S	*	3/1975	Warner	D11/131.1
D262,312	S	*	12/1981	Hoyt	D23/369
D289,857	S	*	5/1987	Duval et al.	D9/748
D289,858	S	*	5/1987	Duval et al.	D9/529
D309,357	S	*	7/1990	Rosen	D28/77

D324,099	S	*	2/1992	Weick	D23/367
D335,702	S	*	5/1993	Chang	D23/366
D343,807	S	*	2/1994	Newman et al.	D11/131.1
D395,846	S	*	7/1998	Taylor	D11/131.1
D398,044	S	*	9/1998	Gutmann	D23/364
D398,975	S	*	9/1998	Nystrom	D23/355
D399,939	S	*	10/1998	Nystrom	D23/355
D411,294	S	*	6/1999	Gutmann	D23/366
D437,040	S	*	1/2001	Soller et al.	D23/366
D479,316	S	*	9/2003	Kleiman	D23/366
D496,451	S	*	9/2004	Julos et al.	D23/355
D511,995	S	*	11/2005	Pettis, III	D11/131.1
D551,329	S	*	9/2007	Cheng	D23/364

* cited by examiner

Primary Examiner—Sandra Snapp

(74) *Attorney, Agent, or Firm*—Dennis W. Beech

(57) **CLAIM**

The ornamental design for a lighted incense burner, as shown and described.

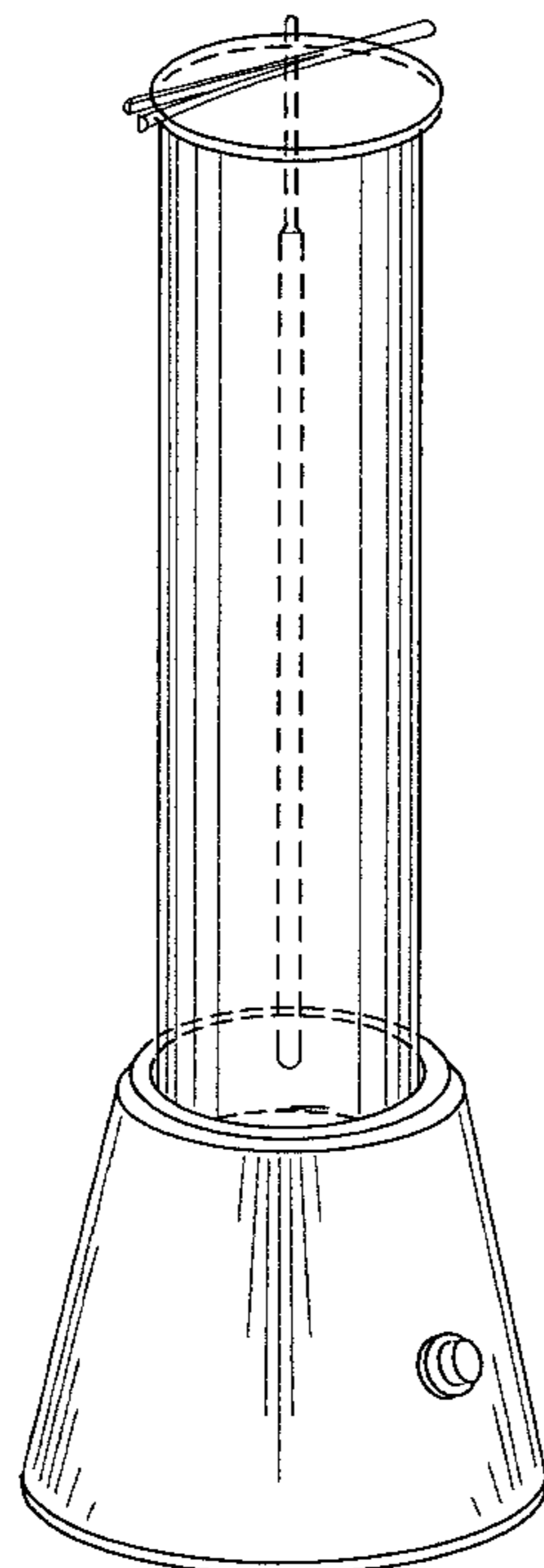
DESCRIPTION

FIG. 1 is a perspective view of the lighted incense burner showing my new design; and,

FIG. 2 is a side elevation view with a cross-section of the base member of the invention taken along line 2—2 in FIG. 1.

The broken line showing of the incense element in FIGS. 1 and 2 is for illustrative purposes only and forms no part of the claimed design.

1 Claim, 1 Drawing Sheet



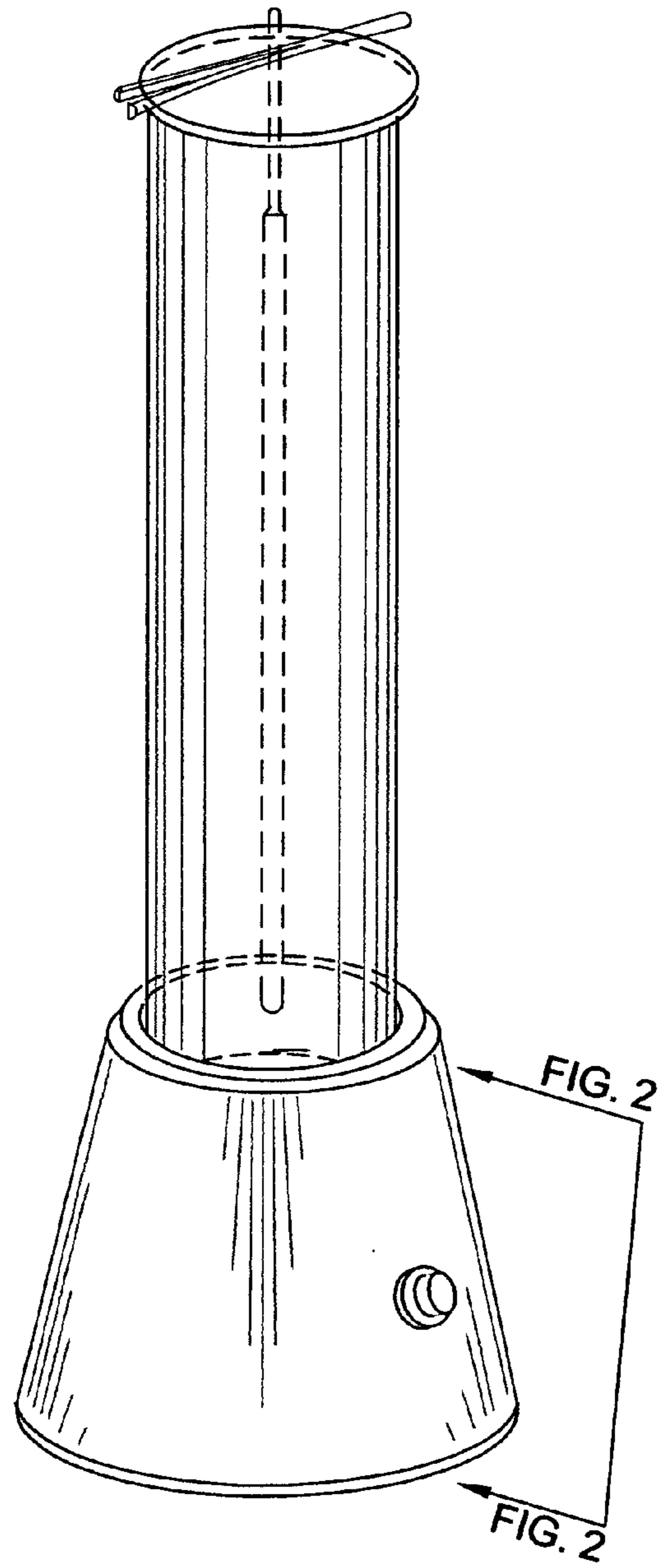


FIG. 1

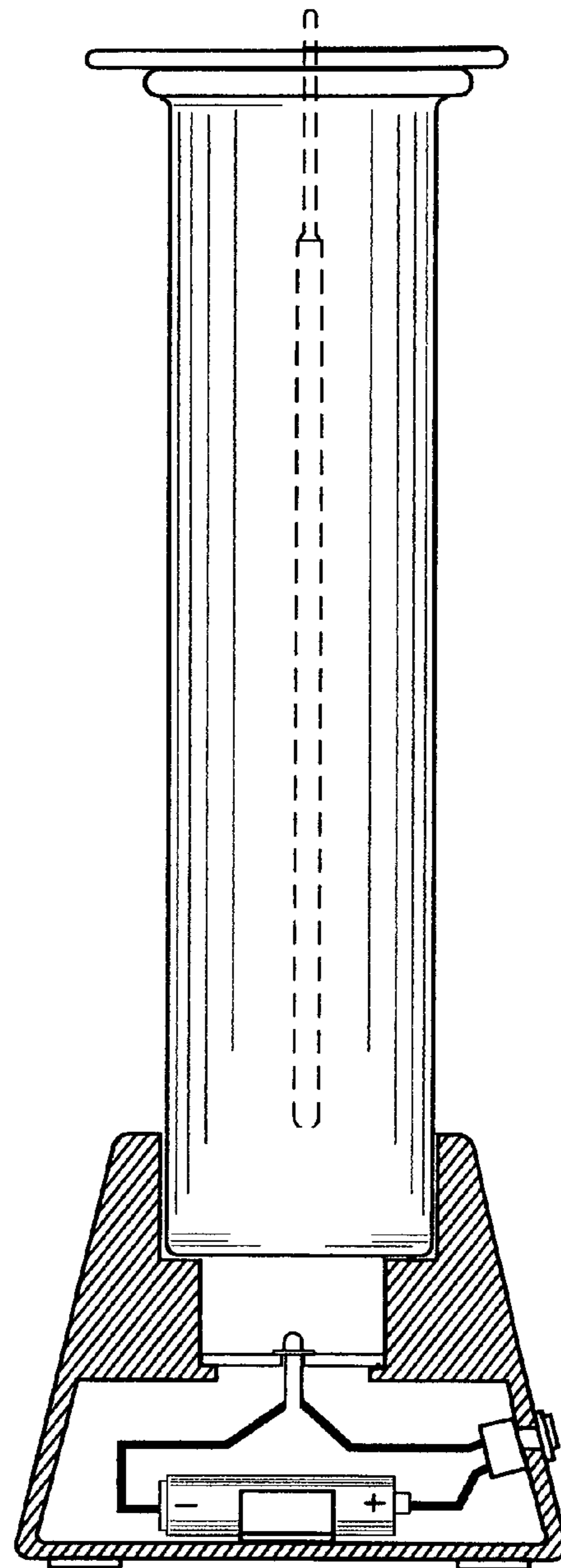


FIG. 2