

US00D585968S

(12) **United States Design Patent**
Elkins et al.

(10) **Patent No.:** **US D585,968 S**

(45) **Date of Patent:** **** Feb. 3, 2009**

(54) **PIPE FLASHING**

(75) Inventors: **Alan R. Elkins**, Salem, OR (US);
Douglas P. Elkins, Salem, OR (US)

(73) Assignee: **West Coast Washers, Inc.**, Salem, OR (US)

(**) Term: **14 Years**

(21) Appl. No.: **29/301,590**

(22) Filed: **Mar. 6, 2008**

(51) **LOC (9) Cl.** **23-01**

(52) **U.S. Cl.** **D23/259**

(58) **Field of Classification Search** D23/259–269;
D25/199; 285/4, 42, 238; 52/12–16
See application file for complete search history.

(56) **References Cited**

U.S. PATENT DOCUMENTS

1,000,506 A	8/1911	Galbraith	
1,031,577 A	7/1912	Overton	
1,317,446 A	9/1919	Hollaender	
1,317,574 A	9/1919	Grosvold	
D170,425 S *	9/1953	Monahan, Jr.	D23/260
RE26,026 E	5/1966	Dibley	
D216,693 S	3/1970	Dammer	
3,602,530 A	8/1971	Elwart	
3,731,952 A	5/1973	Elwart	
3,807,110 A	4/1974	Kaminski	
4,120,129 A	10/1978	Nagler et al.	
D252,703 S	8/1979	Cupit	
4,211,423 A	7/1980	Resech	
4,333,660 A	6/1982	Cupit	
D269,454 S	6/1983	Houseman	
4,563,847 A	1/1986	Hasty	
4,664,390 A	5/1987	Houseman	
D292,233 S	10/1987	Schalle	
D292,234 S	10/1987	Schalle	
4,768,812 A	9/1988	Katz	
D312,506 S	11/1990	Schalle	
5,010,700 A	4/1991	Blair	

D318,101 S *	7/1991	Rodgers	D23/259
5,036,636 A	8/1991	Hasty	
5,176,408 A	1/1993	Pedersen	
5,286,040 A *	2/1994	Gavin	277/606
5,317,845 A	6/1994	Bodycomb	
5,394,663 A	3/1995	Jackson	
5,414,964 A	5/1995	Bodycomb	
D364,933 S	12/1995	Schalle	
D370,274 S	5/1996	Menzies	
5,588,267 A	12/1996	Rodriguez et al.	
5,703,154 A	12/1997	Davis et al.	
D423,087 S	4/2000	Houseman	

FOREIGN PATENT DOCUMENTS

DE	3814695	11/1989
DE	10150435	4/2003
EP	1 008 701	6/2000
EP	1 582 648	10/2005
GB	2 269 214	2/1994
WO	WO 85/04923	11/1985
WO	WO 88/09855	12/1988
WO	WO 91/00399	1/1991
WO	WO 2007/049980	5/2007

Primary Examiner—Louis S Zarfaz
Assistant Examiner—Eric L Goodman
(74) *Attorney, Agent, or Firm*—Walter W. Karnstein

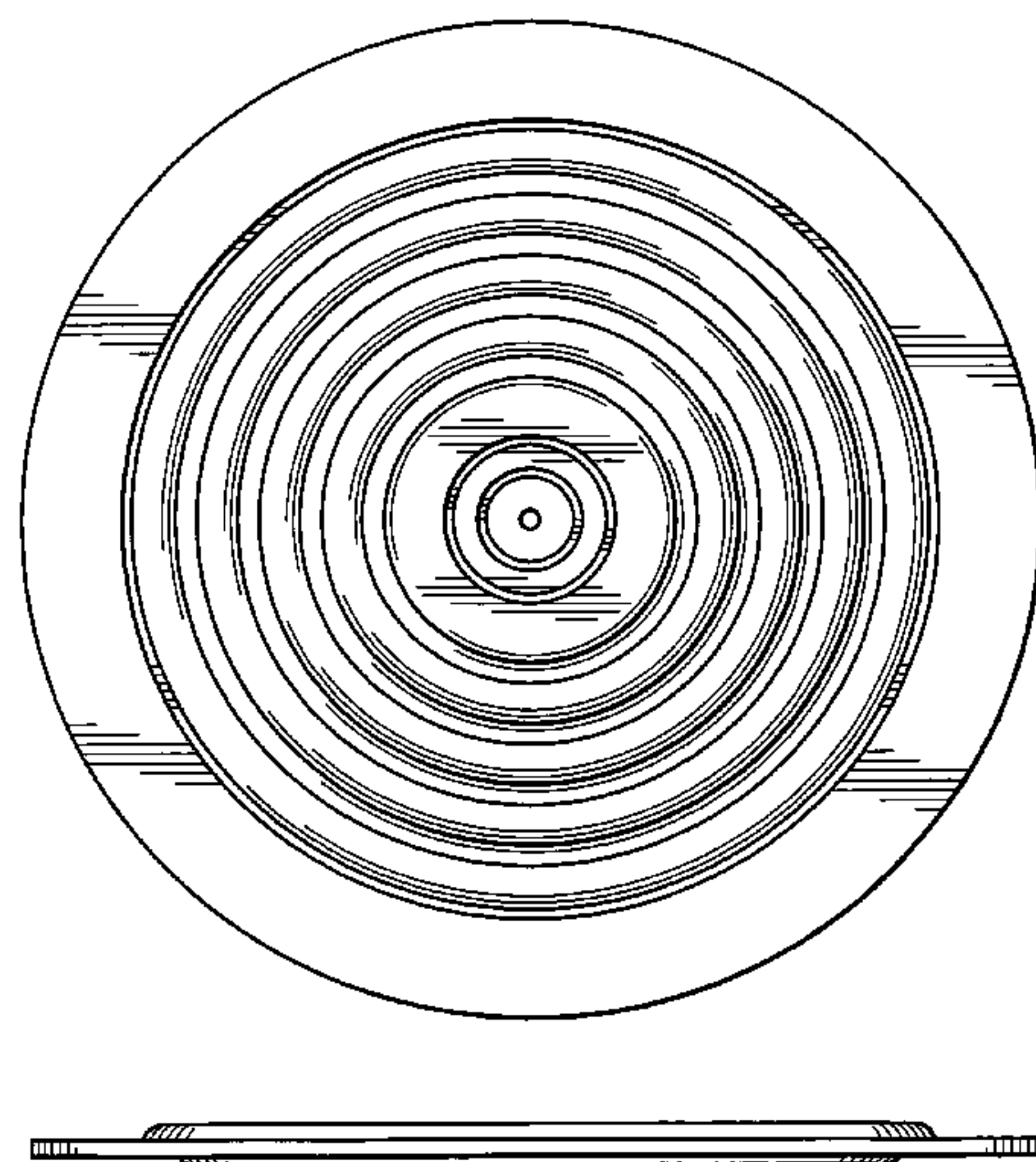
(57) **CLAIM**

We claim the ornamental design for pipe flashing, as shown and described.

DESCRIPTION

FIG. 1 is a perspective view of our design for a pipe flashing; FIG. 2 is a top plan view of the pipe flashing shown in FIG. 1; FIG. 3 is a side elevation view of the pipe flashing shown in FIG. 1; FIG. 4 is a bottom plan view of the pipe flashing shown in FIG. 1; and, FIG. 5 is a section view taken along line 5—5 of the pipe flashing of FIG. 1.

1 Claim, 2 Drawing Sheets



US D585,968 S

Page 2

U.S. PATENT DOCUMENTS

				6,279,272 B1	8/2001	Nill, Jr.
				2005/0055889 A1	3/2005	Thaler
D428,120 S *	7/2000	Zaldivar	D23/261	2006/0130411 A1	6/2006	Edgar et al.
6,122,870 A	9/2000	Marcum		2007/0101664 A1	5/2007	Hoy et al.
D436,157 S	1/2001	Houseman				

* cited by examiner

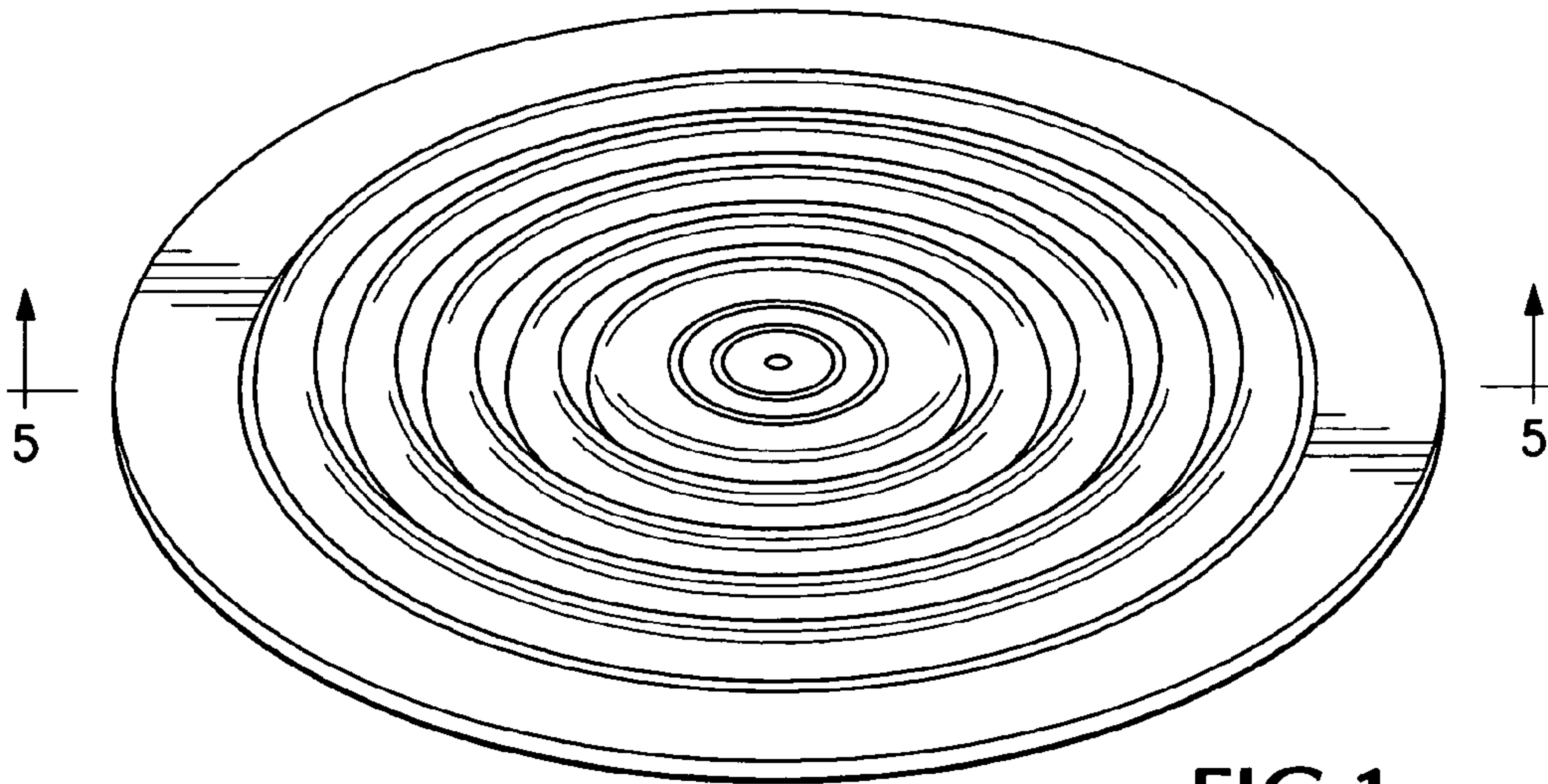


FIG.1

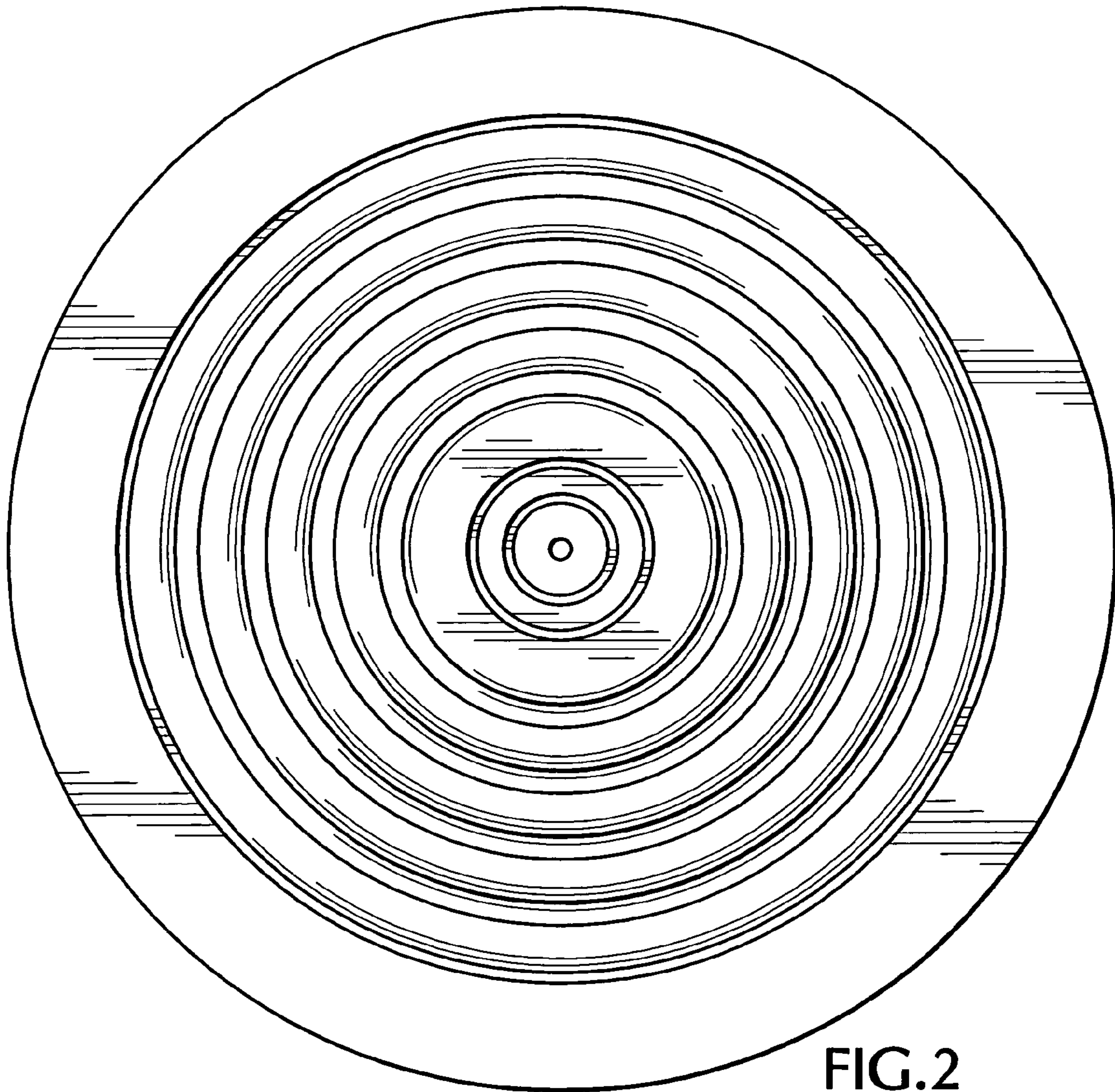


FIG.2

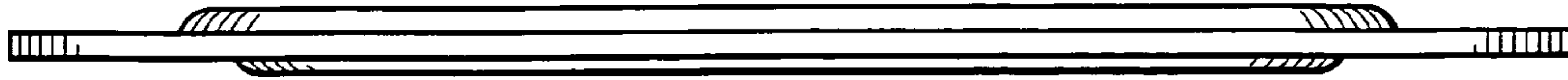


FIG.3

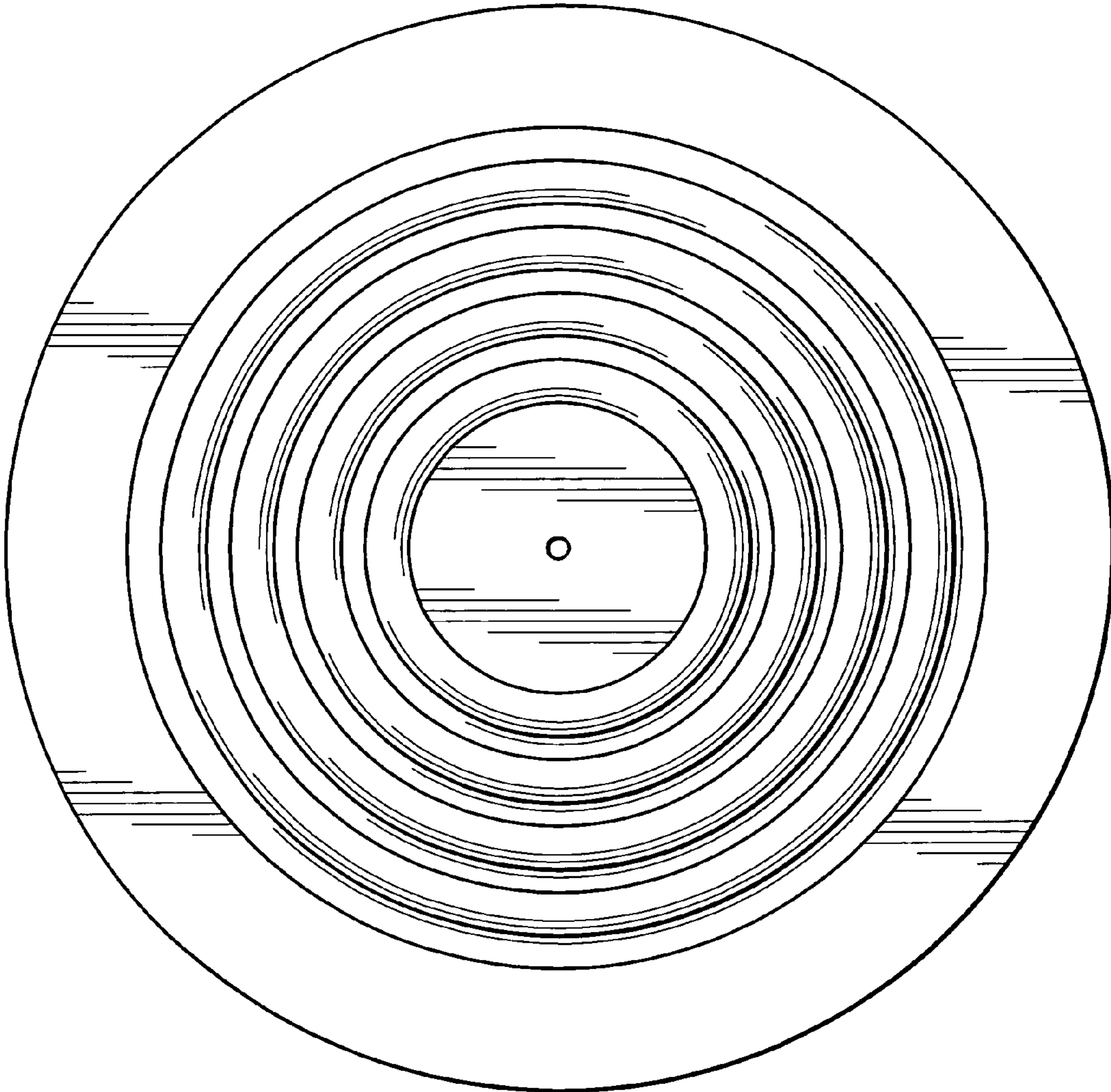


FIG.4



FIG.5