



US00D585965S

(12) **United States Design Patent**
Kohler, Jr. et al.

(10) **Patent No.:** **US D585,965 S**

(45) **Date of Patent:** **** Feb. 3, 2009**

(54) **SPOUT**

(75) Inventors: **Herbert V. Kohler, Jr.**, Kohler, WI (US);
Duck Young Kong, Watertown, MA (US)

(73) Assignee: **Kohler France SAS**, Paris (FR)

(**) Term: **14 Years**

(21) Appl. No.: **29/284,141**

(22) Filed: **Aug. 31, 2007**

(51) **LOC (9) Cl.** **23-01**

(52) **U.S. Cl.** **D23/255**

(58) **Field of Classification Search** D23/255–257,
D23/238–243; 4/675–678; 137/801
See application file for complete search history.

(56) **References Cited**

U.S. PATENT DOCUMENTS

D267,109 S	*	11/1982	Fabian	D23/241
D465,554 S		11/2002	Spangler	
D481,107 S		10/2003	Lord	
D514,205 S		1/2006	Spangler	
D517,167 S		3/2006	Kulig	
D517,647 S		3/2006	Kulig	
D517,652 S		3/2006	Egli	
D527,807 S	*	9/2006	Haug et al.	D23/255

FOREIGN PATENT DOCUMENTS

DE	40208048.3	3/2003
DM	054015	2/2001

OTHER PUBLICATIONS

Kohler Co. "Laminar Faucet". Model No. K-T945-4 / K410-K. SinksFaucetsAndMore.com online catalog. Copyright 2007 Baths By Design, Inc.

FIMA (Carlo Frattini) Rubinetteria, "Maxima". Model 5321. FIMA (Carlo Frattini) Rubinetteria online catalog. Earliest date known Dec. 17, 2004.

FIMA (Carlo Frattini) Rubinetteria. "Maxima". Model 3241. FIMA (Carlo Frattini) Rubinetteria online catalog. Earliest date known Dec. 17, 2004.

* cited by examiner

Primary Examiner—Robert A Delehanty

(74) *Attorney, Agent, or Firm*—Quarles & Brady LLP

(57) **CLAIM**

The ornamental design for a spout, as shown and described.

DESCRIPTION

In a preferred embodiment, the nature of this product is a spout for a plumbing fitting, such as a tub faucet.

FIG. 1 is a left, top, front perspective view of a spout according to our new design;

FIG. 2 is a left side elevational view thereof, the right side elevational view thereof being a mirror image of the left side shown;

FIG. 3 is a top plan view thereof;

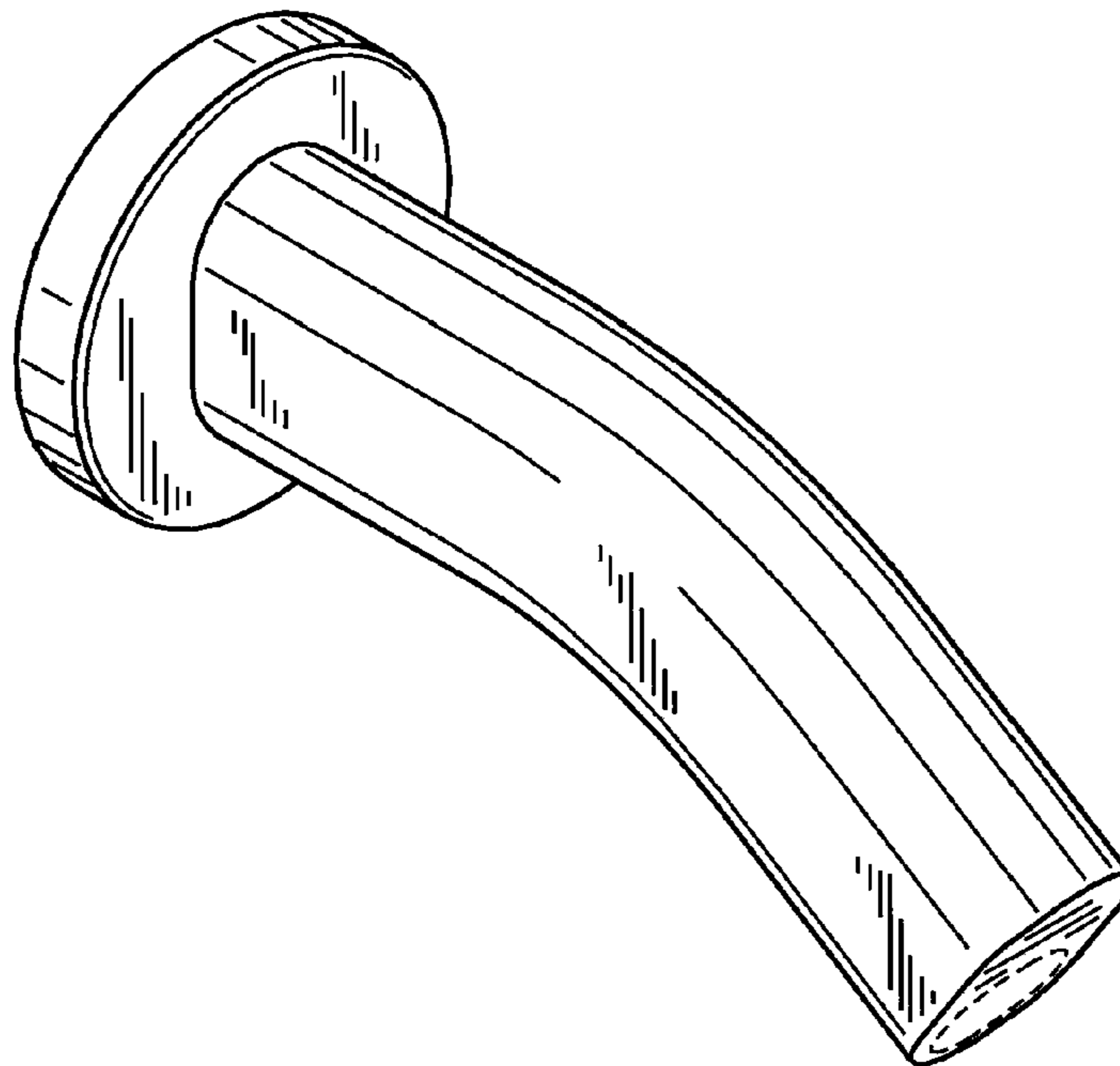
FIG. 4 is a bottom plan view thereof;

FIG. 5 is a front elevational view thereof; and,

FIG. 6 is a rear elevational view thereof.

The broken line representations in the figures, including broken line representations of a spout opening and rear structure, are for the purpose of illustration only, and form no part of the claimed design.

1 Claim, 3 Drawing Sheets



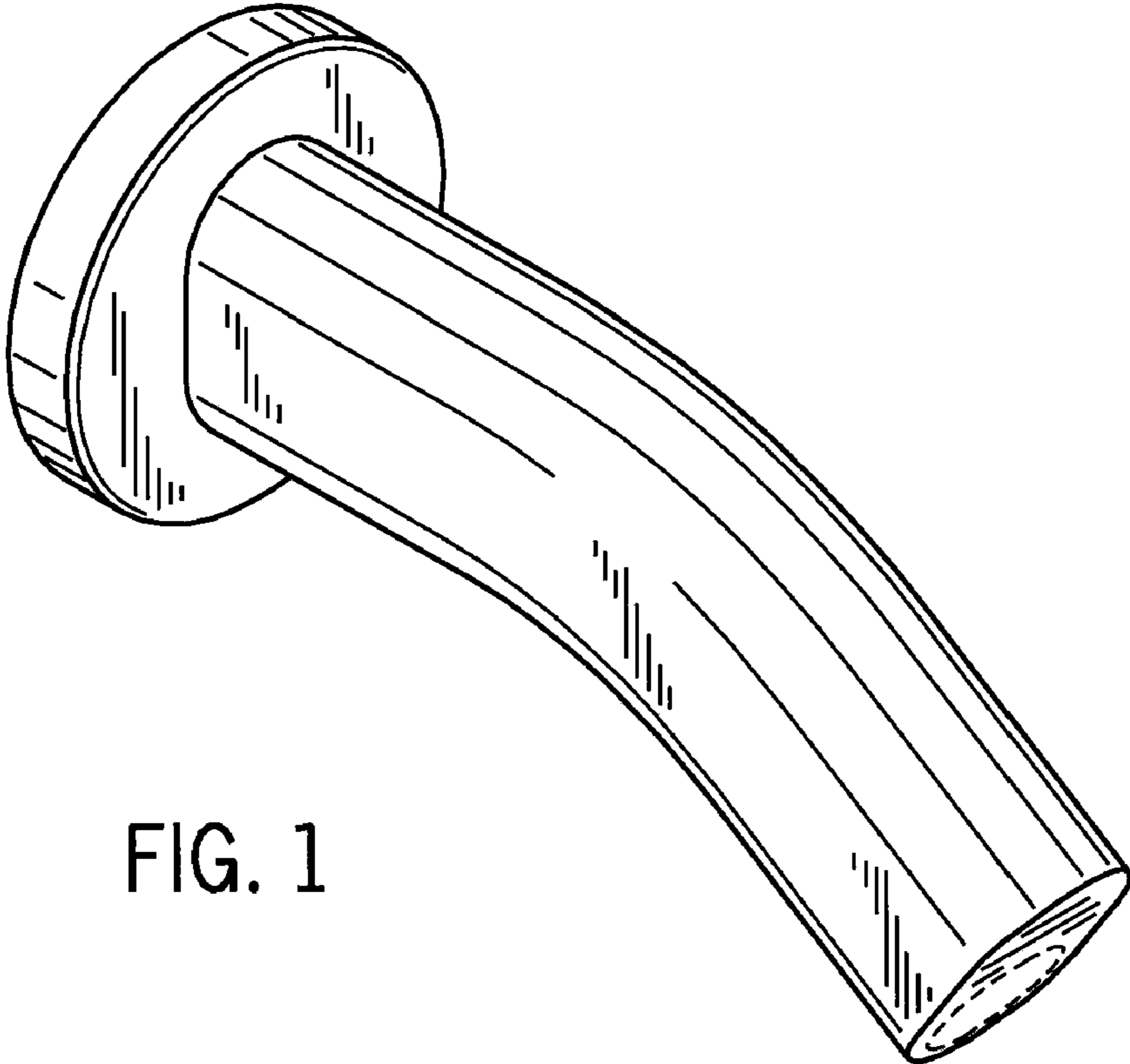


FIG. 1

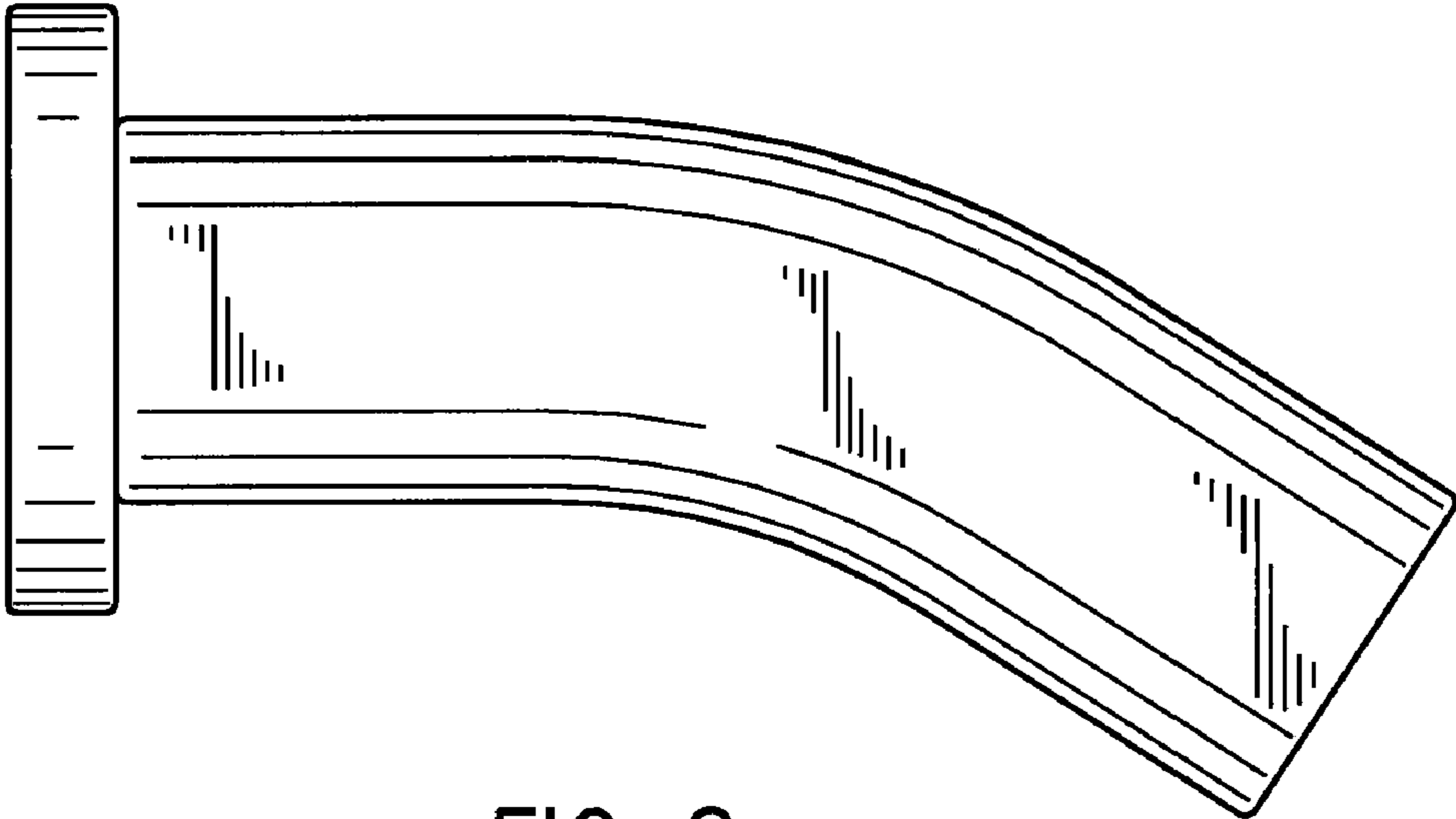


FIG. 2

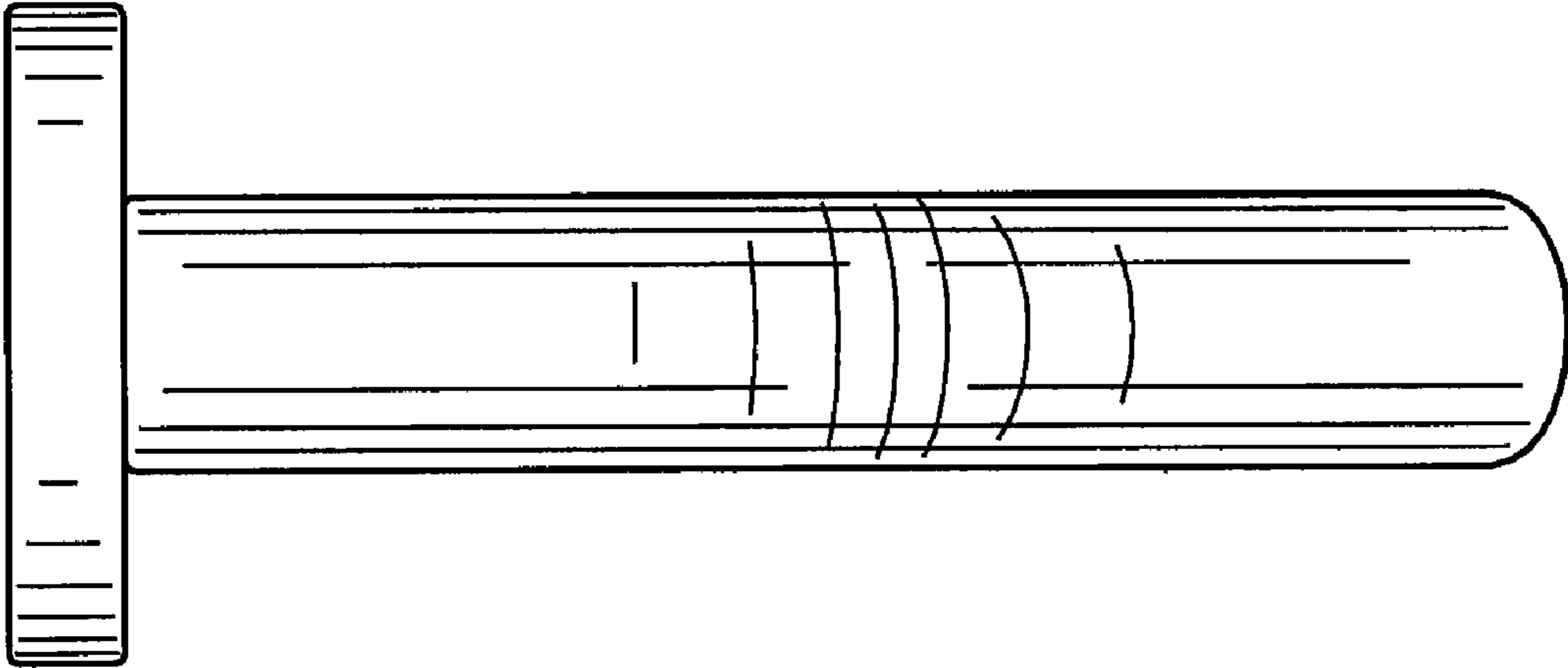


FIG. 3

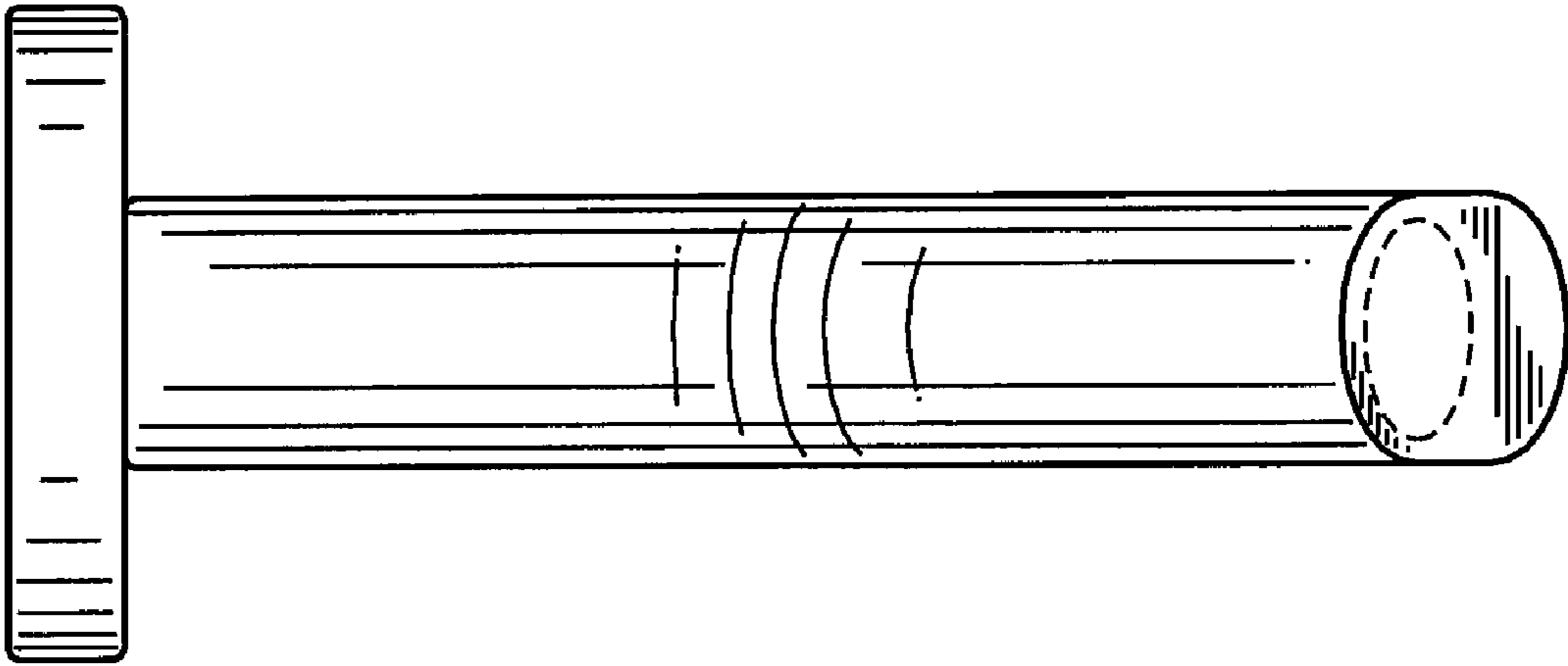


FIG. 4

FIG. 5

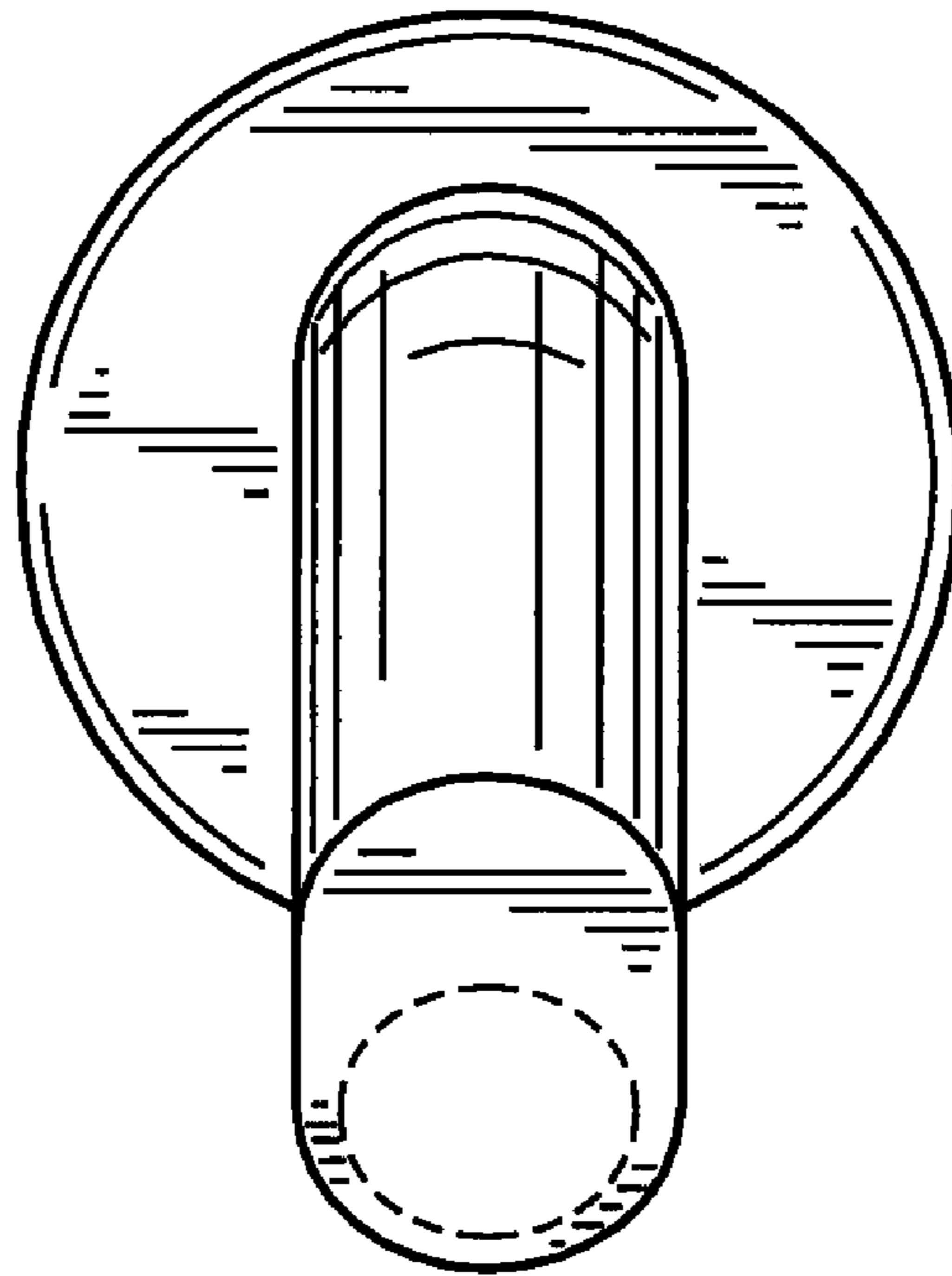


FIG. 6

