



US00D585963S

(12) **United States Design Patent**
Byrne

(10) **Patent No.:** **US D585,963 S**

(45) **Date of Patent:** **** Feb. 3, 2009**

(54) **FAUCET HANDLE**

(75) Inventor: **David M. Byrne**, Jenison, MI (US)

(73) Assignee: **Access Business Group International LLC**, Ada, MI (US)

(**) Term: **14 Years**

(21) Appl. No.: **29/282,415**

(22) Filed: **Jul. 19, 2007**

(51) **LOC (9) Cl.** **23-01**

(52) **U.S. Cl.** **D23/252**

(58) **Field of Classification Search** D23/250,
D23/252-254, 238-243, 244-249; 4/675-678;
D8/300, 307-308; D6/550; 137/801; 16/110.1,
16/441

See application file for complete search history.

(56) **References Cited**

U.S. PATENT DOCUMENTS

D508,196 S * 8/2005 Pieters D8/308
D516,184 S * 2/2006 Yong-Jun et al. D23/252
D527,805 S * 9/2006 Chu et al. D23/252

* cited by examiner

Primary Examiner—Robert A Delehanty

(74) *Attorney, Agent, or Firm*—Warner Norcross & Judd LLP

(57) **CLAIM**

The ornamental design for a faucet handle, as shown and described.

DESCRIPTION

FIG. 1 is a perspective view of a faucet handle embodying the new design;

FIG. 2 is a right side view thereof, the left side view being the mirror image thereof;

FIG. 3 is a front view thereof;

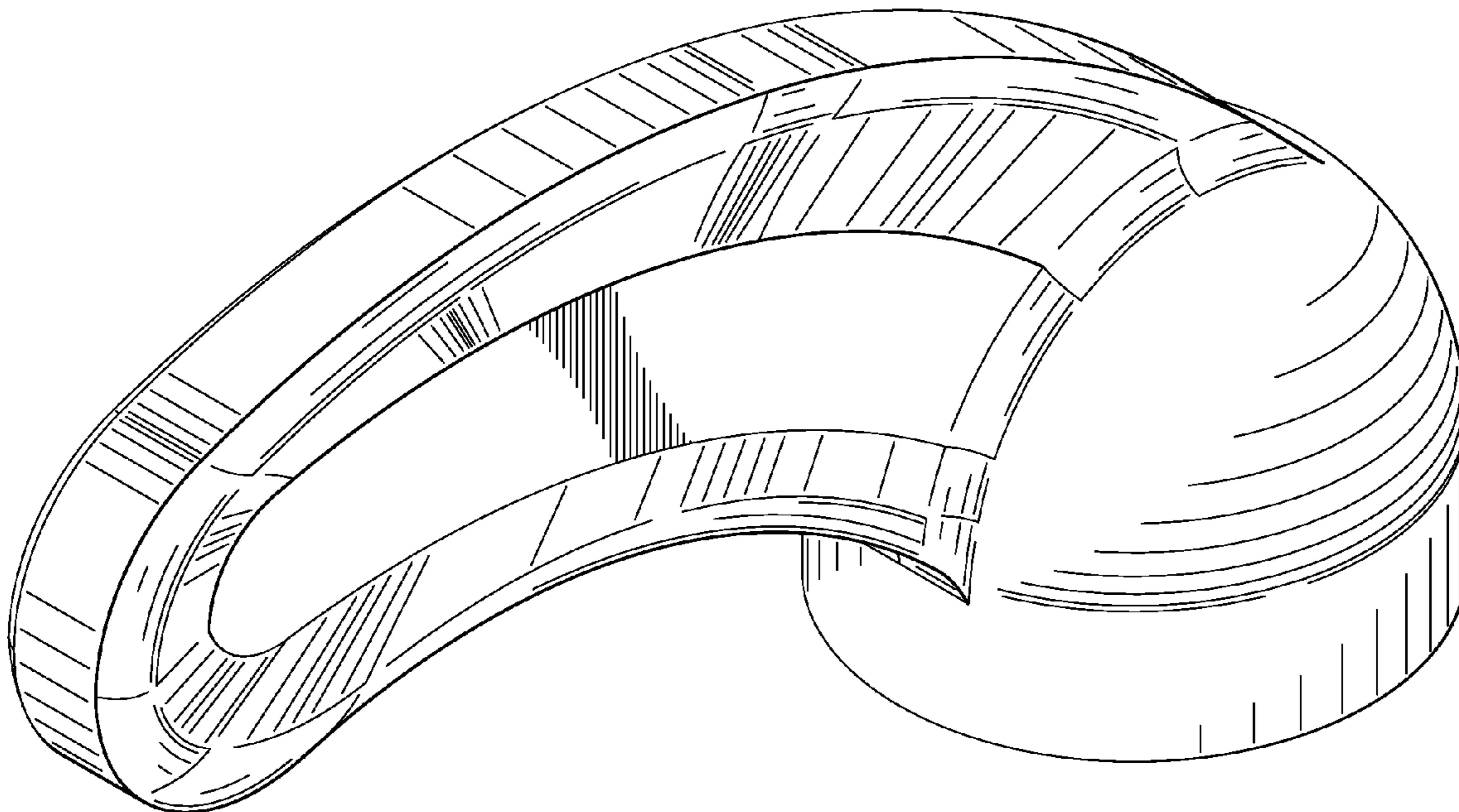
FIG. 4 is a rear view thereof;

FIG. 5 is a top view thereof; and,

FIG. 6 is a bottom view thereof.

FIG. 6 the portions shown in phantom lines form no part of the claimed design.

1 Claim, 4 Drawing Sheets



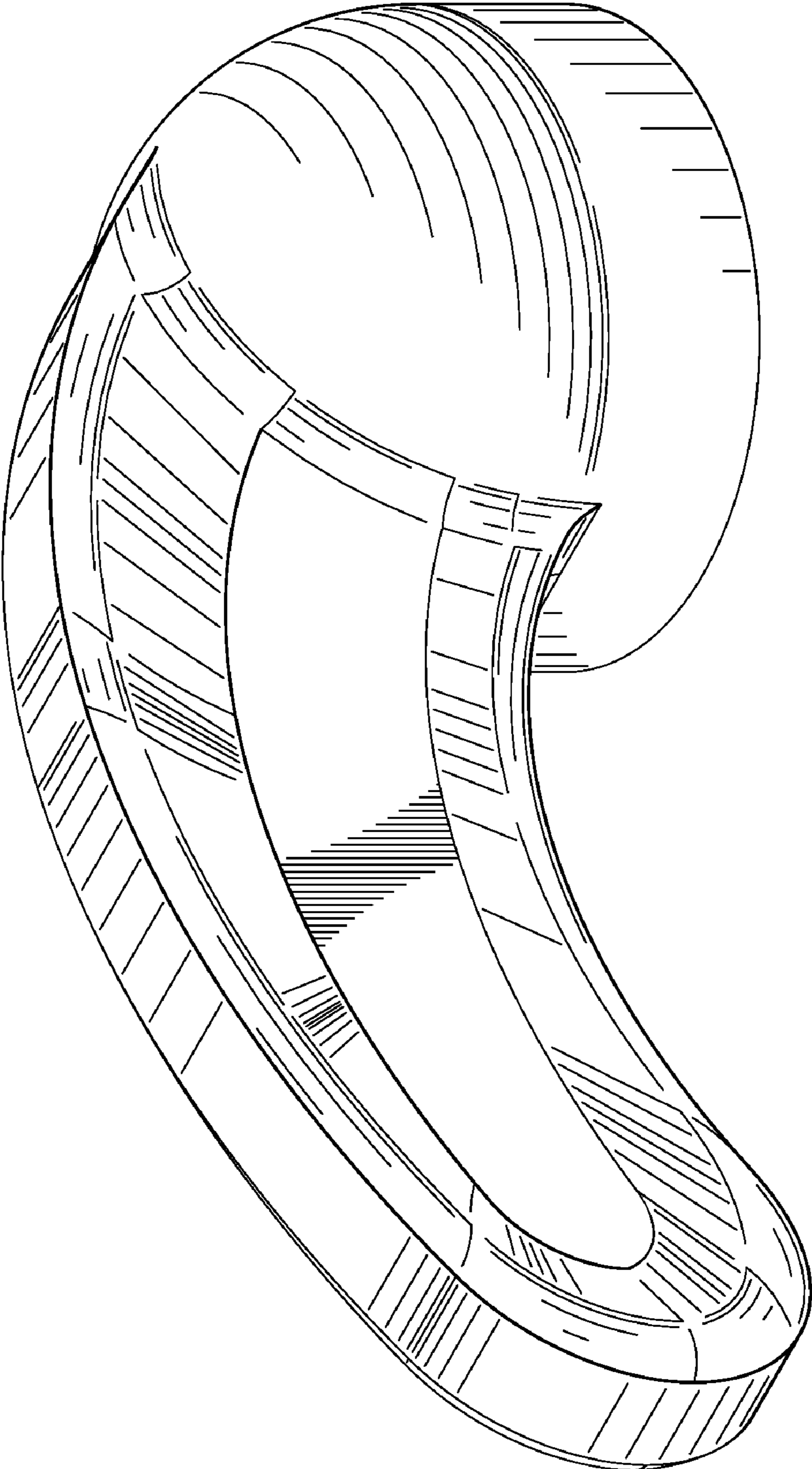


FIG. 1

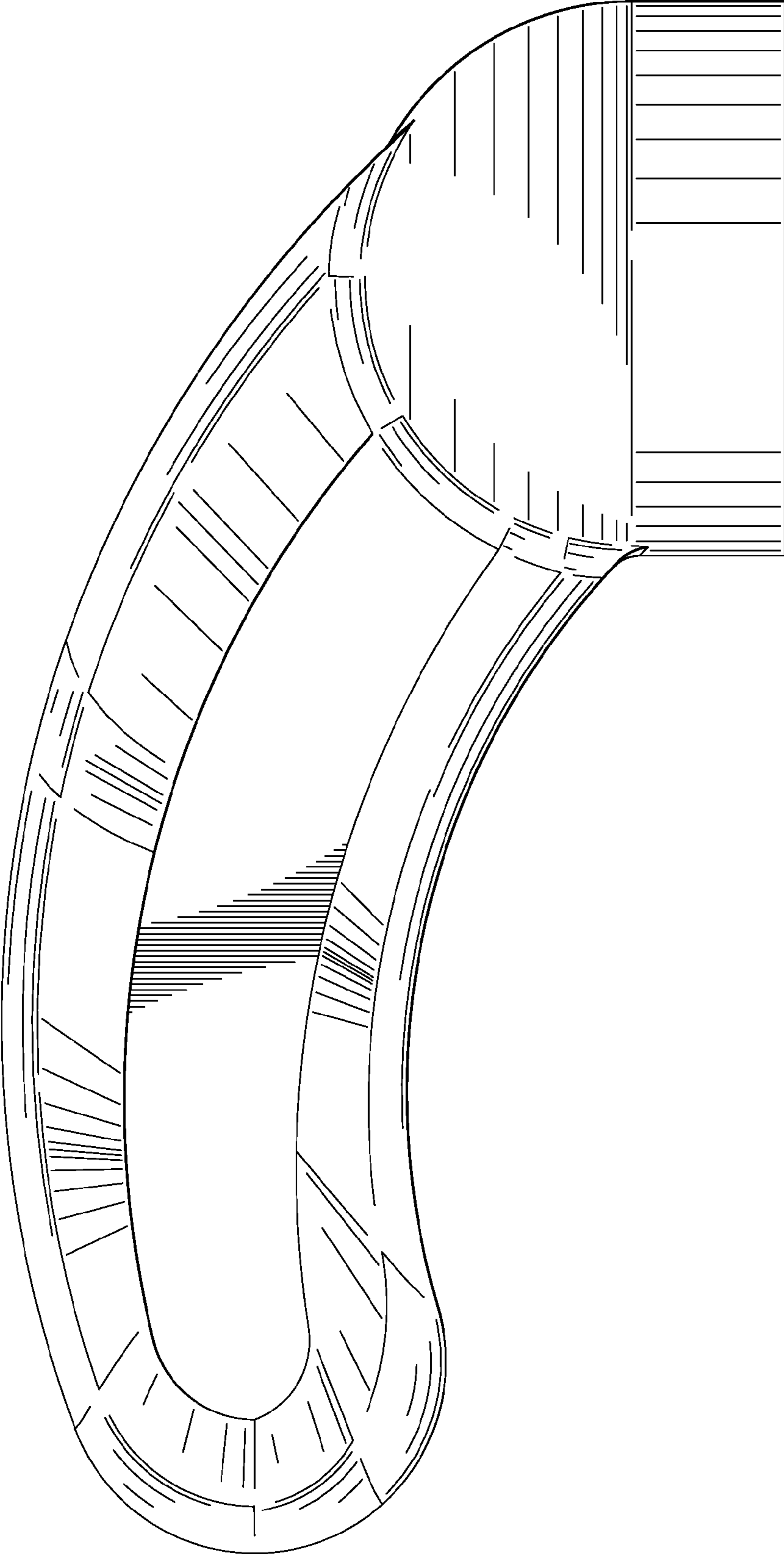


FIG. 2

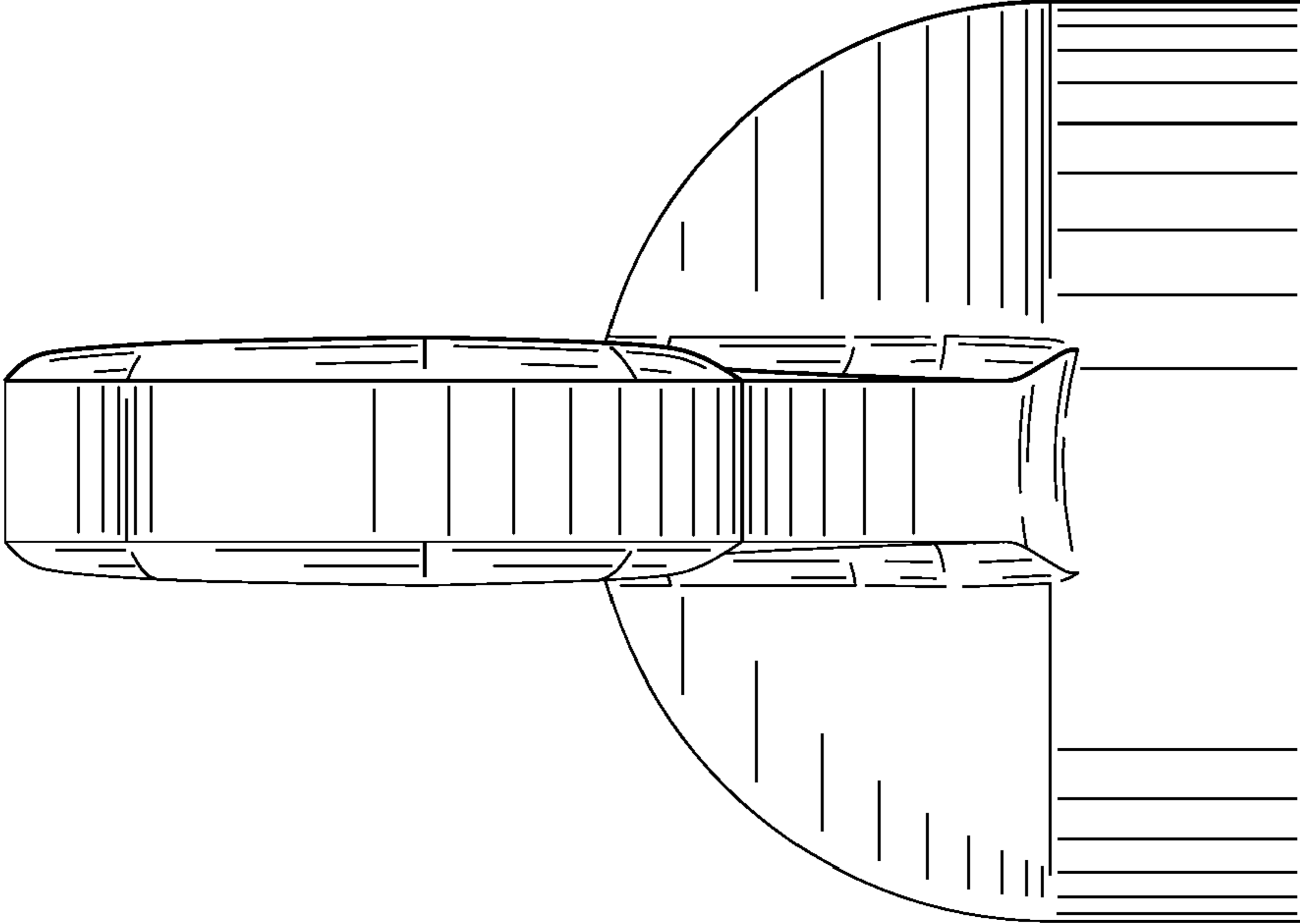


FIG. 4

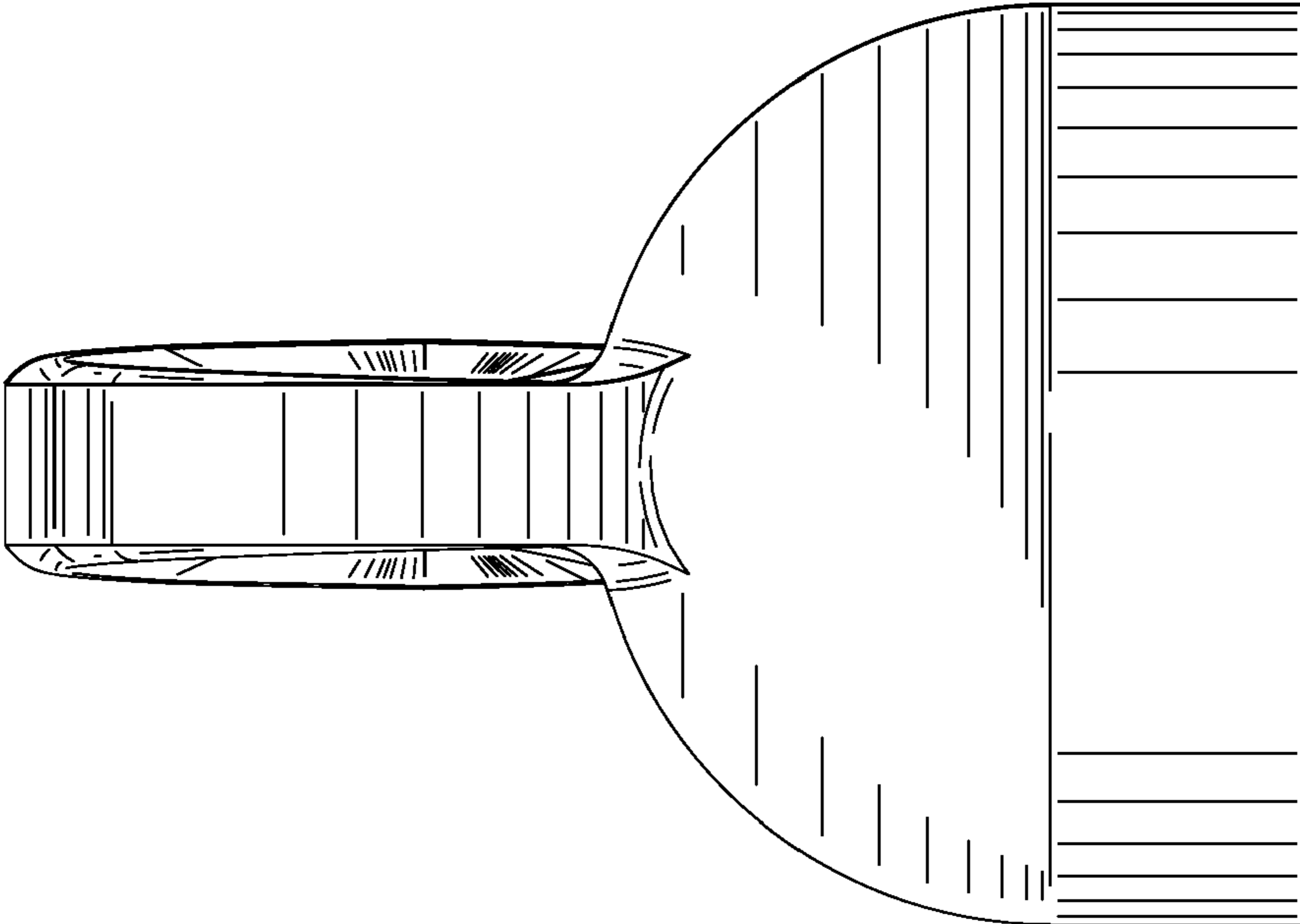


FIG. 3

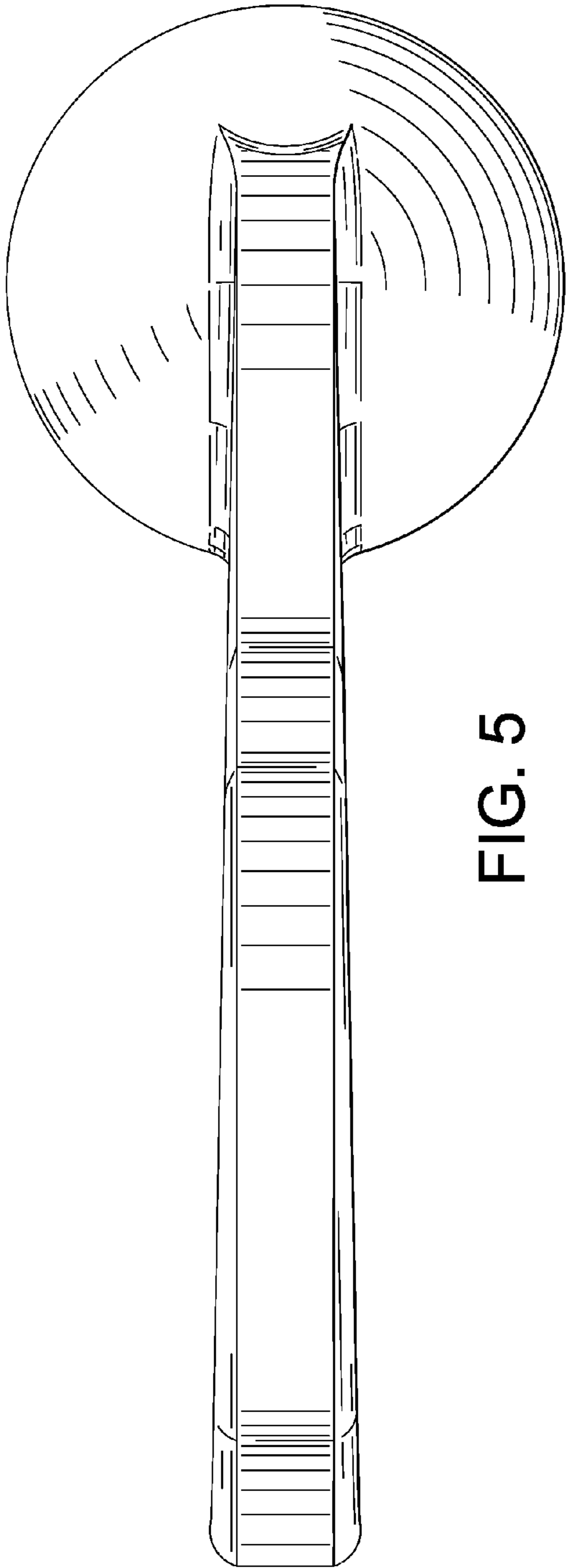


FIG. 5

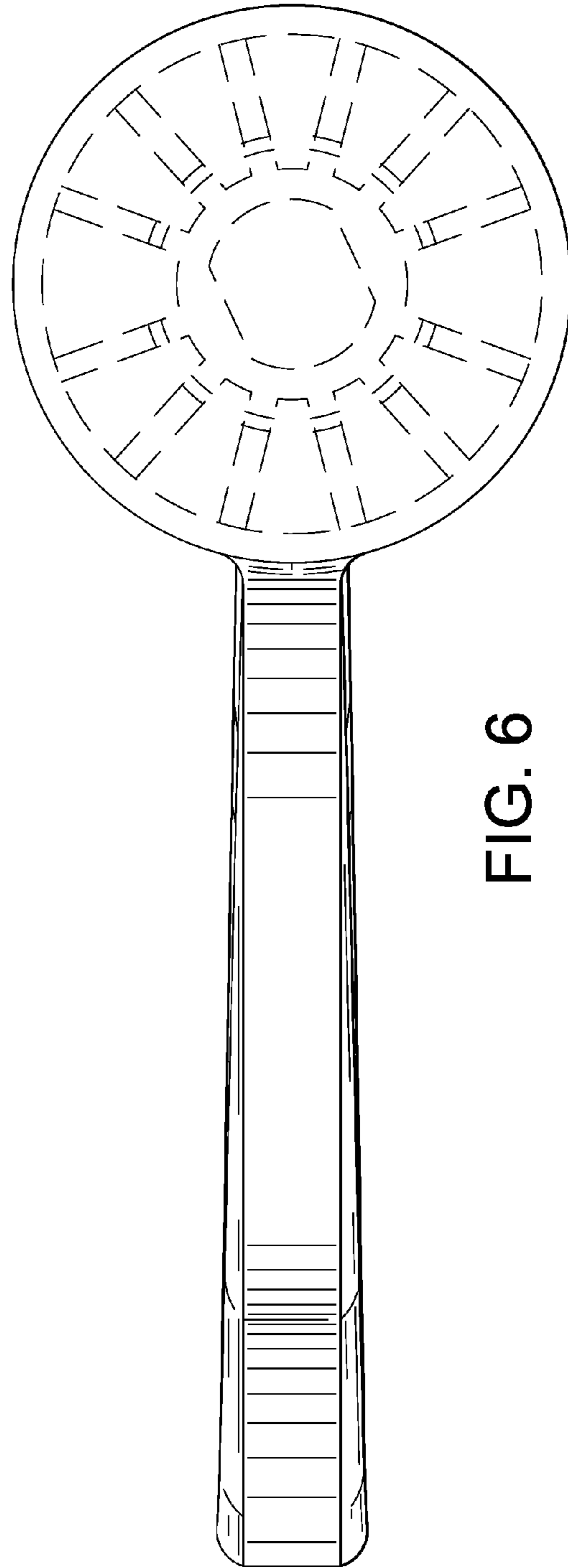


FIG. 6