



US00D585962S

(12) **United States Design Patent**
Shieh

(10) **Patent No.:** **US D585,962 S**

(45) **Date of Patent:** **** Feb. 3, 2009**

(54) **FAUCET HANDLE**

(75) Inventor: **Ming-Dang Shieh**, Chang Hua Hsien
(TW)

(73) Assignee: **Horng Lai Industrial Co., Ltd.**, Chang
Hua Hsien (TW)

(**) Term: **14 Years**

(21) Appl. No.: **29/295,838**

(22) Filed: **Oct. 9, 2007**

(51) **LOC (9) Cl.** **23-01**

(52) **U.S. Cl.** **D23/250**

(58) **Field of Classification Search** D23/238,
D23/242, 249, 250, 252, 254; D8/300, 307,
D8/308; 4/675-677; 16/110.1

See application file for complete search history.

(56) **References Cited**

U.S. PATENT DOCUMENTS

D433,735 S	*	11/2000	Lord	D23/252
D444,544 S	*	7/2001	Lord	D23/252
D490,502 S	*	5/2004	Ouyoung	D23/252
D503,967 S	*	4/2005	Otero	D23/252

D515,182 S	*	2/2006	Ouyoung	D23/252
D515,669 S	*	2/2006	Ying-Hui et al.	D23/241
D522,624 S	*	6/2006	Koury et al.	D23/252

* cited by examiner

Primary Examiner—Robin V Webster

(74) *Attorney, Agent, or Firm*—Alan Kamrath; Kamrath &
Associates PA

(57) **CLAIM**

The ornamental design for a faucet handle, as shown and
described.

DESCRIPTION

FIG. 1 is a perspective view of a faucet handle showing my
design;

FIG. 2 is a front faucet handle view thereof;

FIG. 3 is a rear faucet handle view thereof;

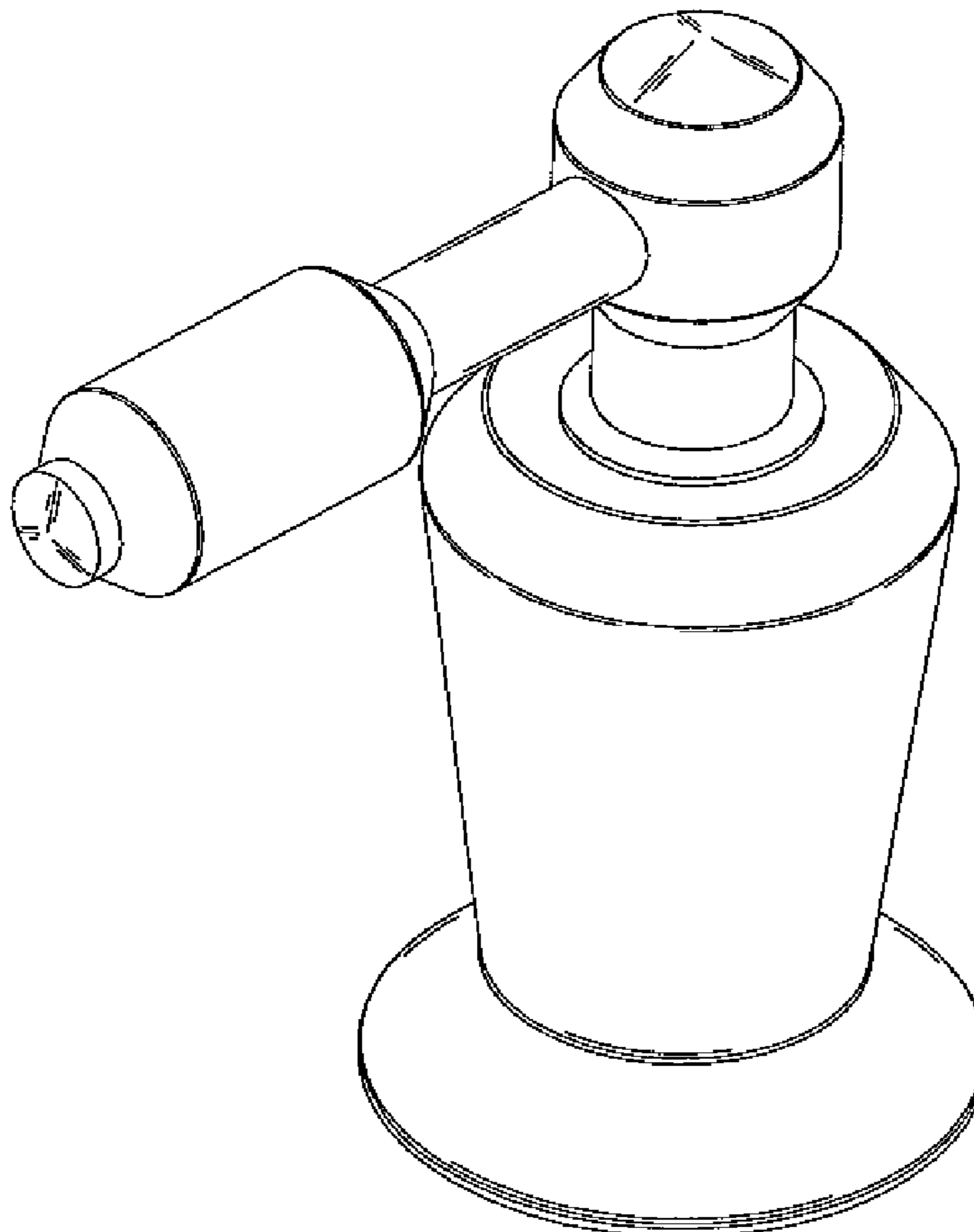
FIG. 4 is a left side faucet handle view thereof;

FIG. 5 is a right side faucet handle view thereof;

FIG. 6 is a top plan view thereof; and,

FIG. 7 is a bottom plan view thereof.

1 Claim, 4 Drawing Sheets



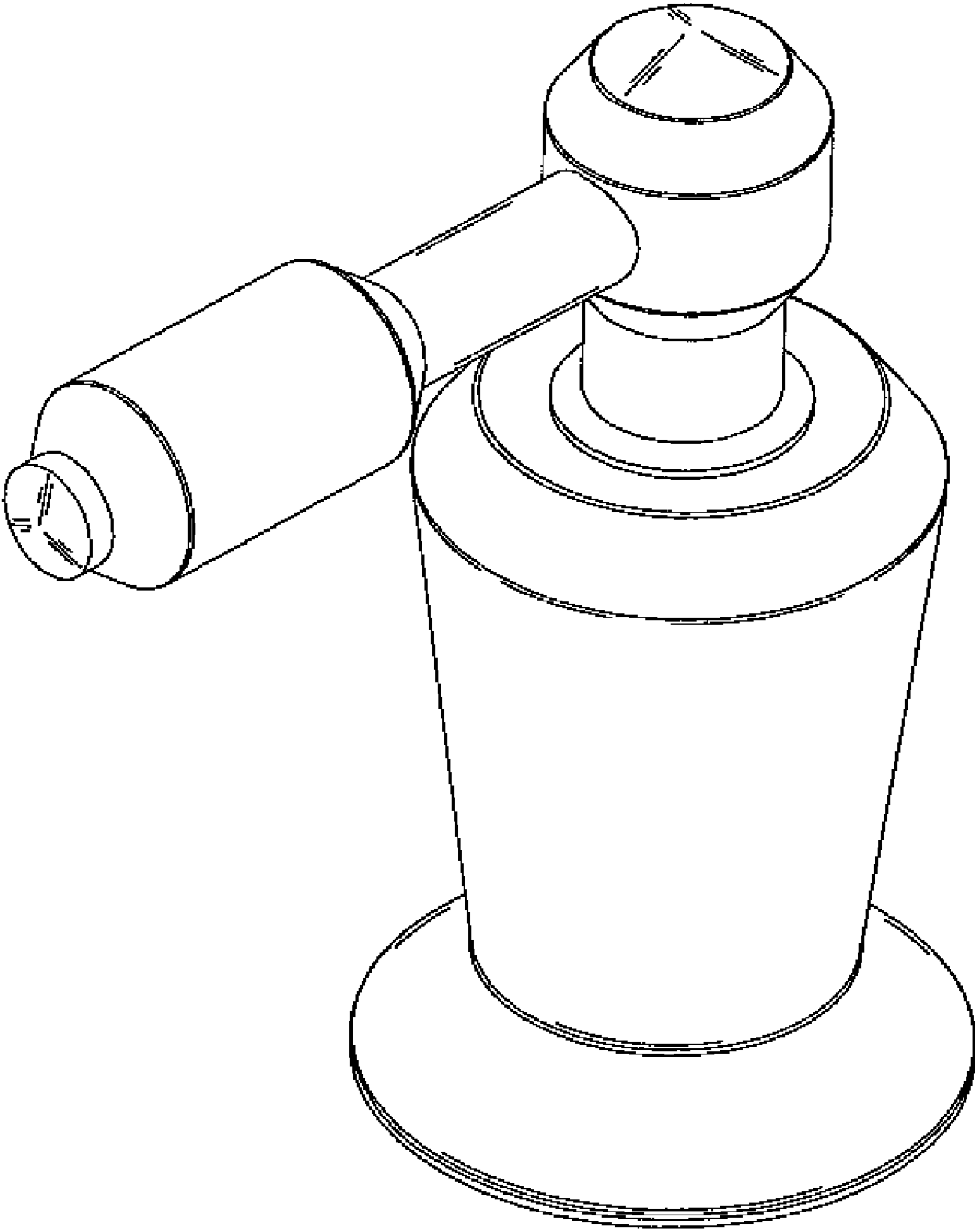


FIG. 1

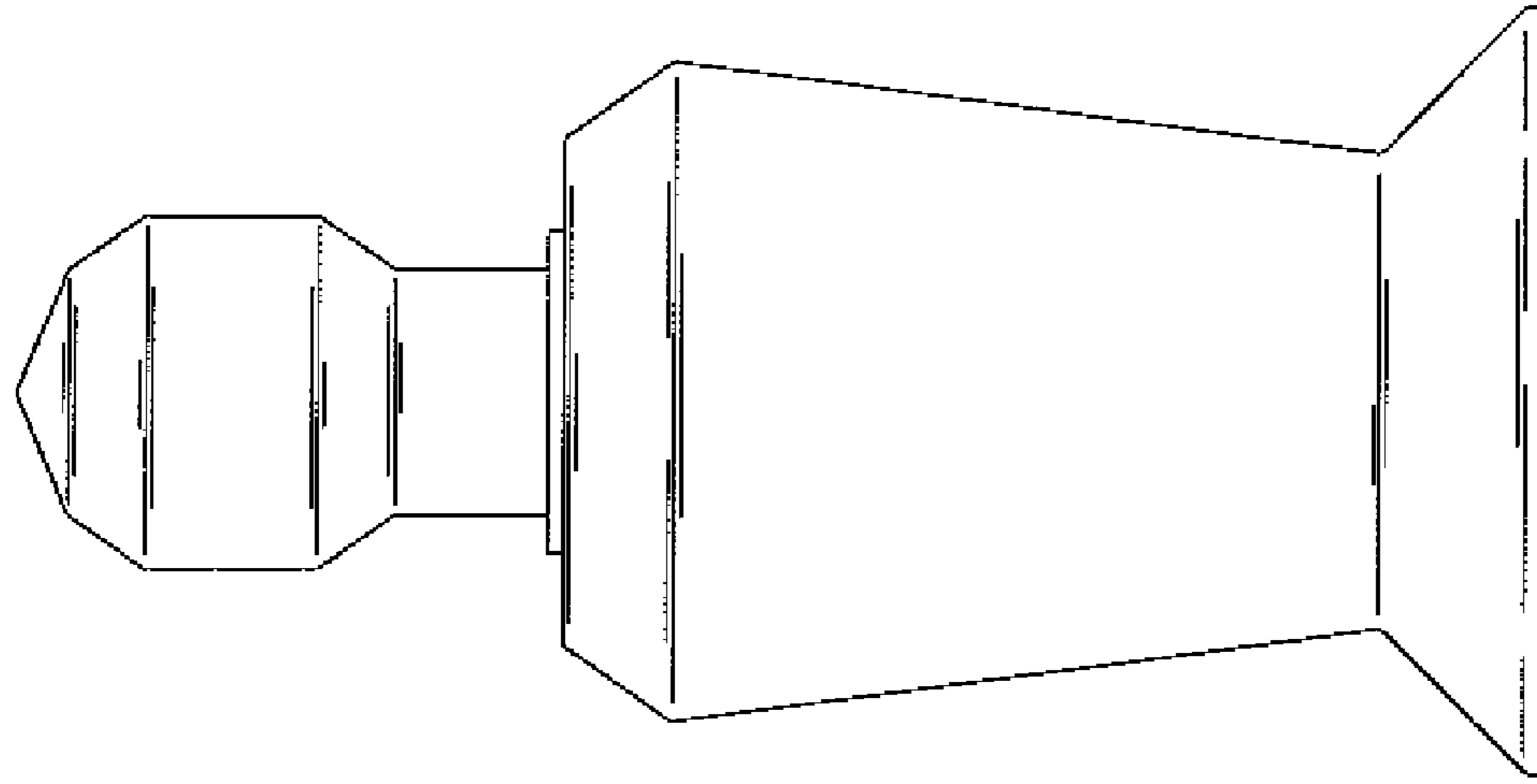


FIG. 2

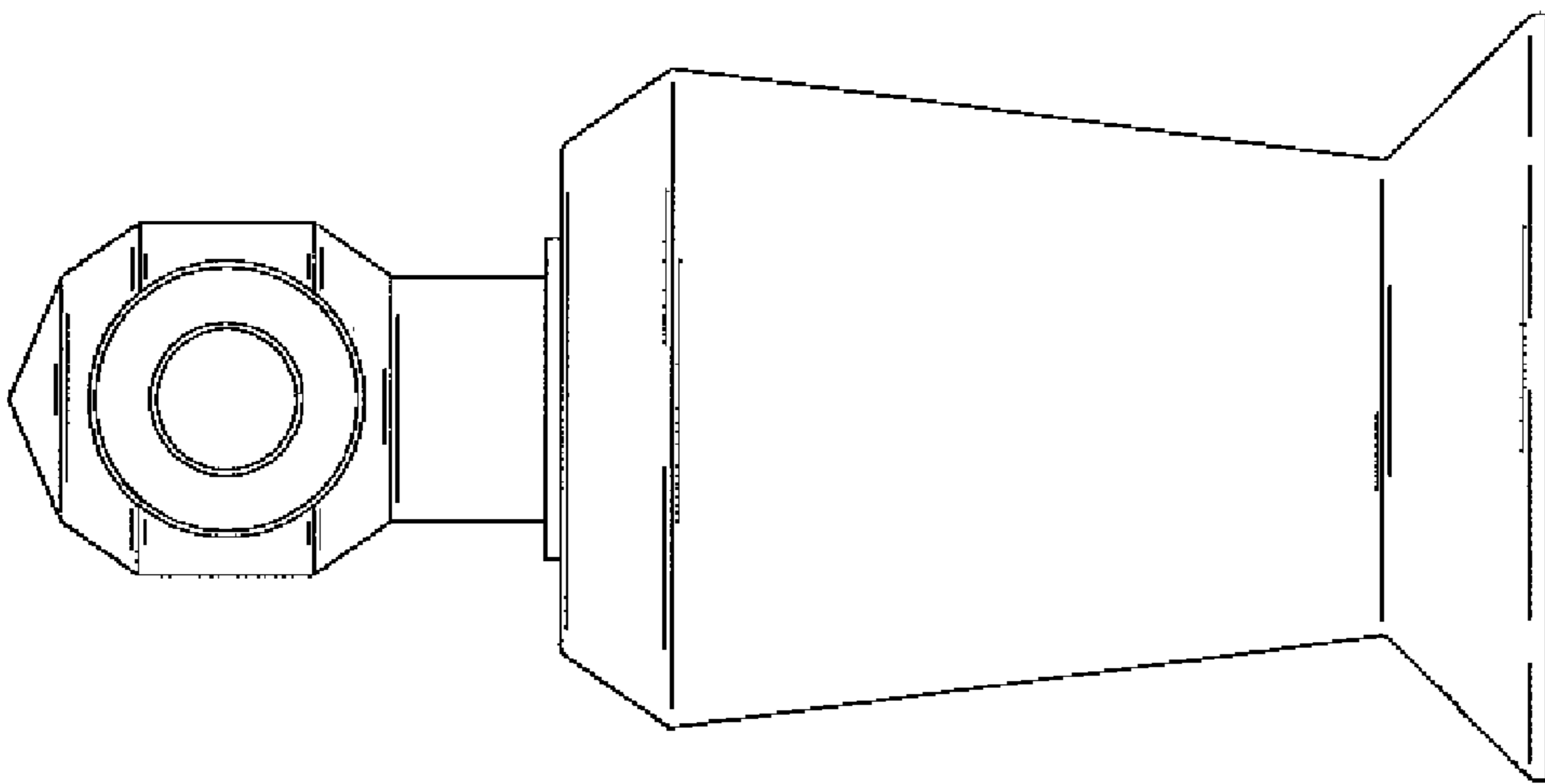


FIG. 3

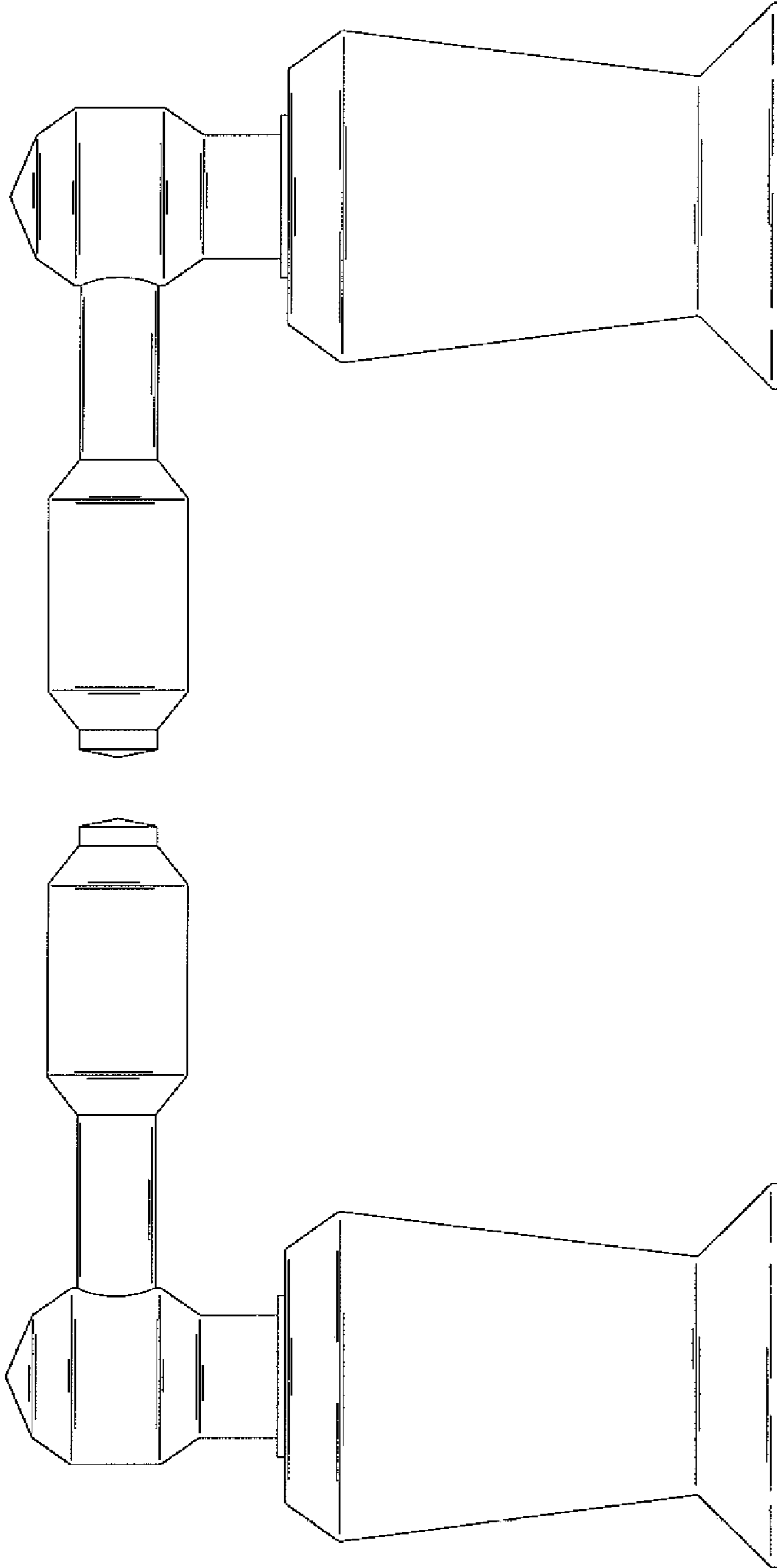


FIG. 5

FIG. 4

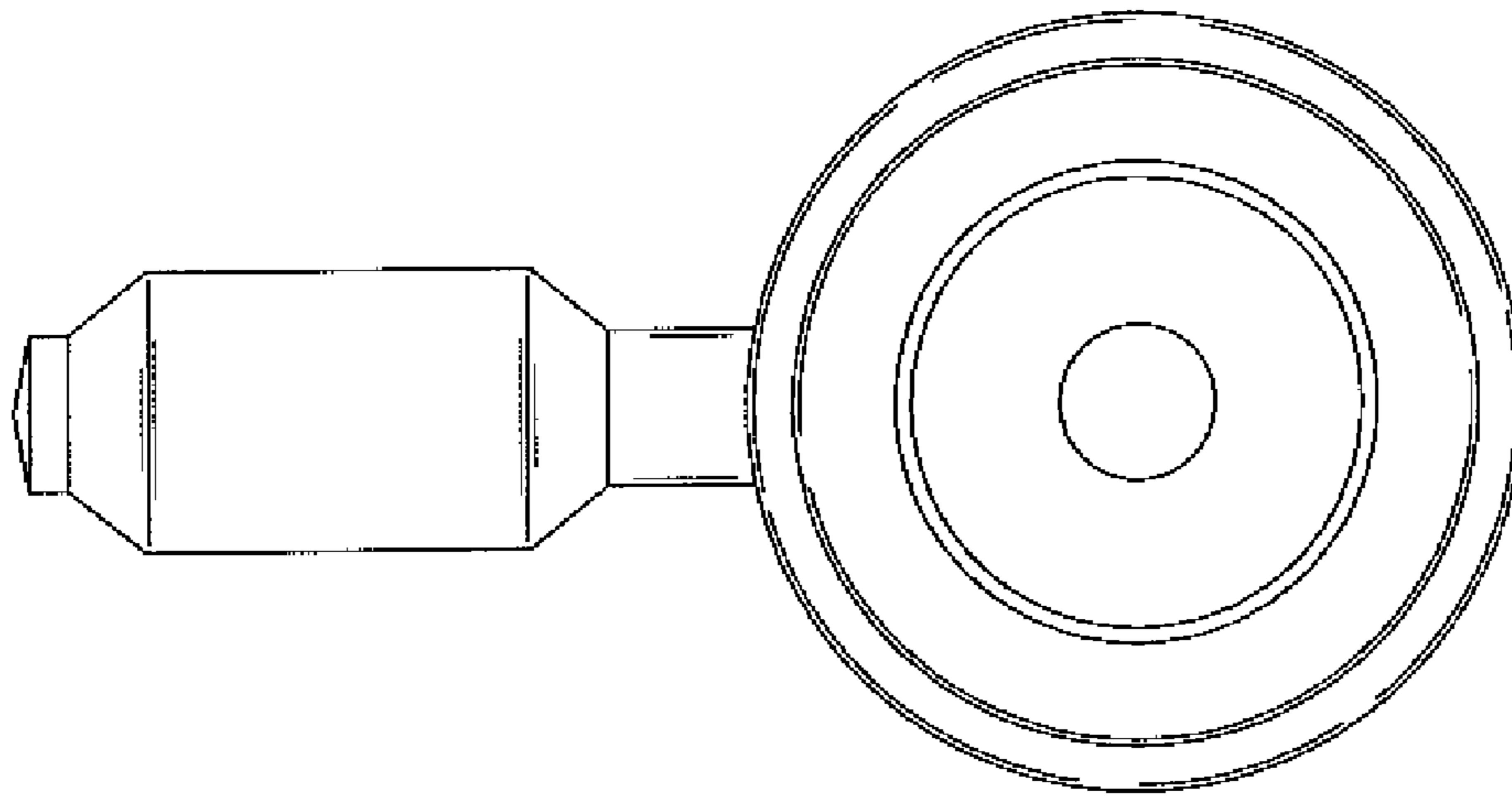


FIG. 7

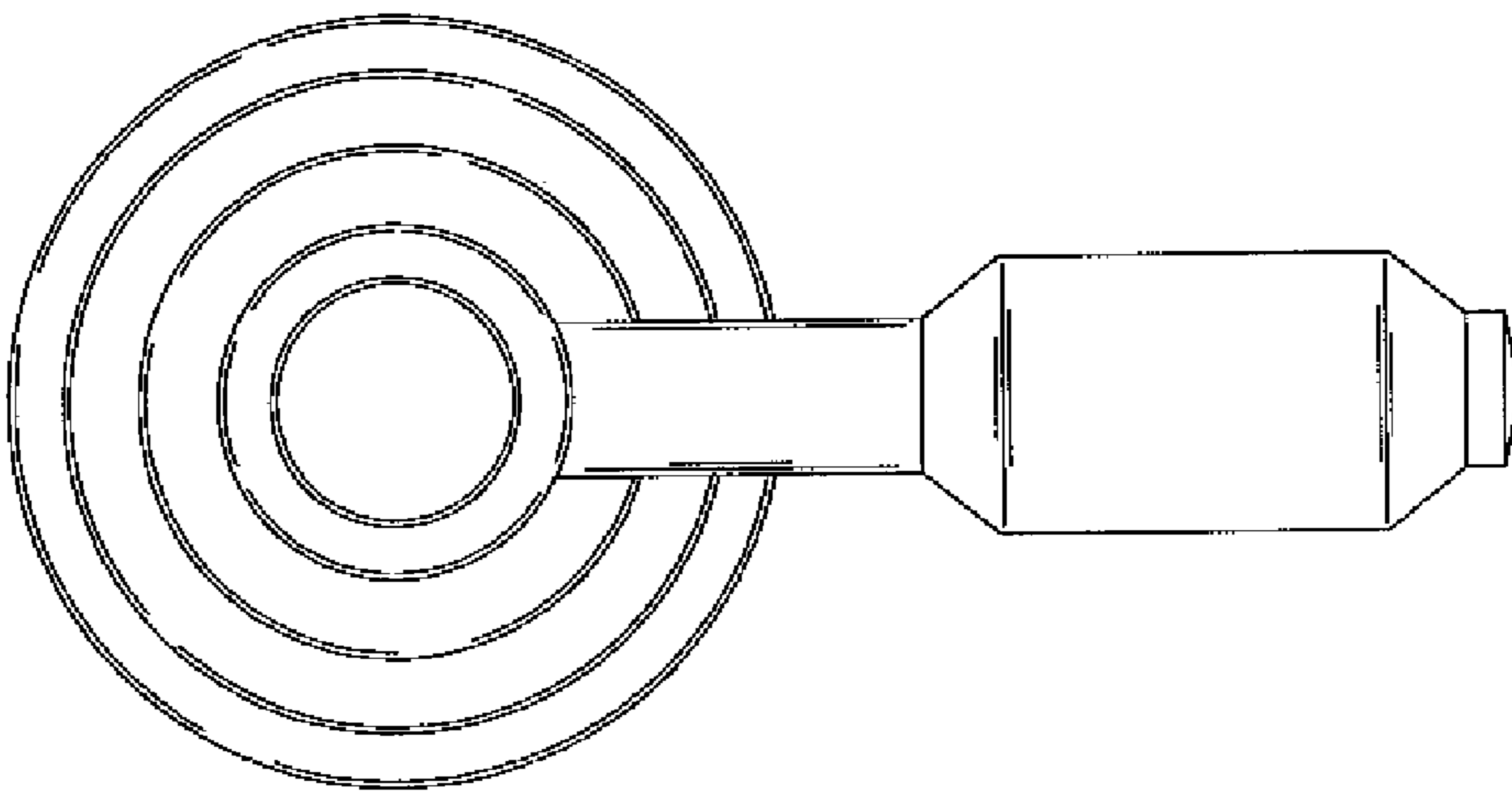


FIG. 6