



US00D585960S

(12) **United States Design Patent**
Ko

(10) **Patent No.:** **US D585,960 S**

(45) **Date of Patent:** **** Feb. 3, 2009**

(54) **FAUCET**

(75) Inventor: **Hsi Chia Ko**, Changhua Hsien (TW)

(73) Assignee: **Chung Cheng Faucet Co., Ltd.**,
Changhua Hsien (TW)

(**) Term: **14 Years**

(21) Appl. No.: **29/274,460**

(22) Filed: **Apr. 25, 2007**

(51) **LOC (9) Cl.** **23-01**

(52) **U.S. Cl.** **D23/238**

(58) **Field of Classification Search** D23/20,
D23/238-257; D6/512, 546, 550; D8/300,
D8/307-308, 310-312, 321; 4/675-678;
137/801; 16/110.1, 441

See application file for complete search history.

(56) **References Cited**

U.S. PATENT DOCUMENTS

D466,979 S	*	12/2002	Shulz	D23/238
D526,389 S	*	8/2006	Lammel et al.	D23/238
D535,358 S	*	1/2007	Demmer et al.	D23/238
D538,402 S	*	3/2007	Lammel et al.	D23/243
D540,911 S	*	4/2007	Citterio	D23/238
D546,922 S	*	7/2007	Demmer et al.	D23/238
D553,714 S	*	10/2007	Demmer et al.	D23/238
D564,074 S	*	3/2008	Zhang	D23/238

* cited by examiner

Primary Examiner—Robert A. Delehanty

Assistant Examiner—Mark Cavanna

(74) *Attorney, Agent, or Firm*—Troxell Law Office PLLC

(57) **CLAIM**

The ornamental design for the “faucet,” as shown and described.

DESCRIPTION

FIG. 1 is a perspective view of a faucet showing my new design;

FIG. 2 is a front view thereof;

FIG. 3 is a rear view thereof;

FIG. 4 is a left side view thereof;

FIG. 5 is a right side view thereof;

FIG. 6 is a top view thereof;

FIG. 7 is a bottom view thereof;

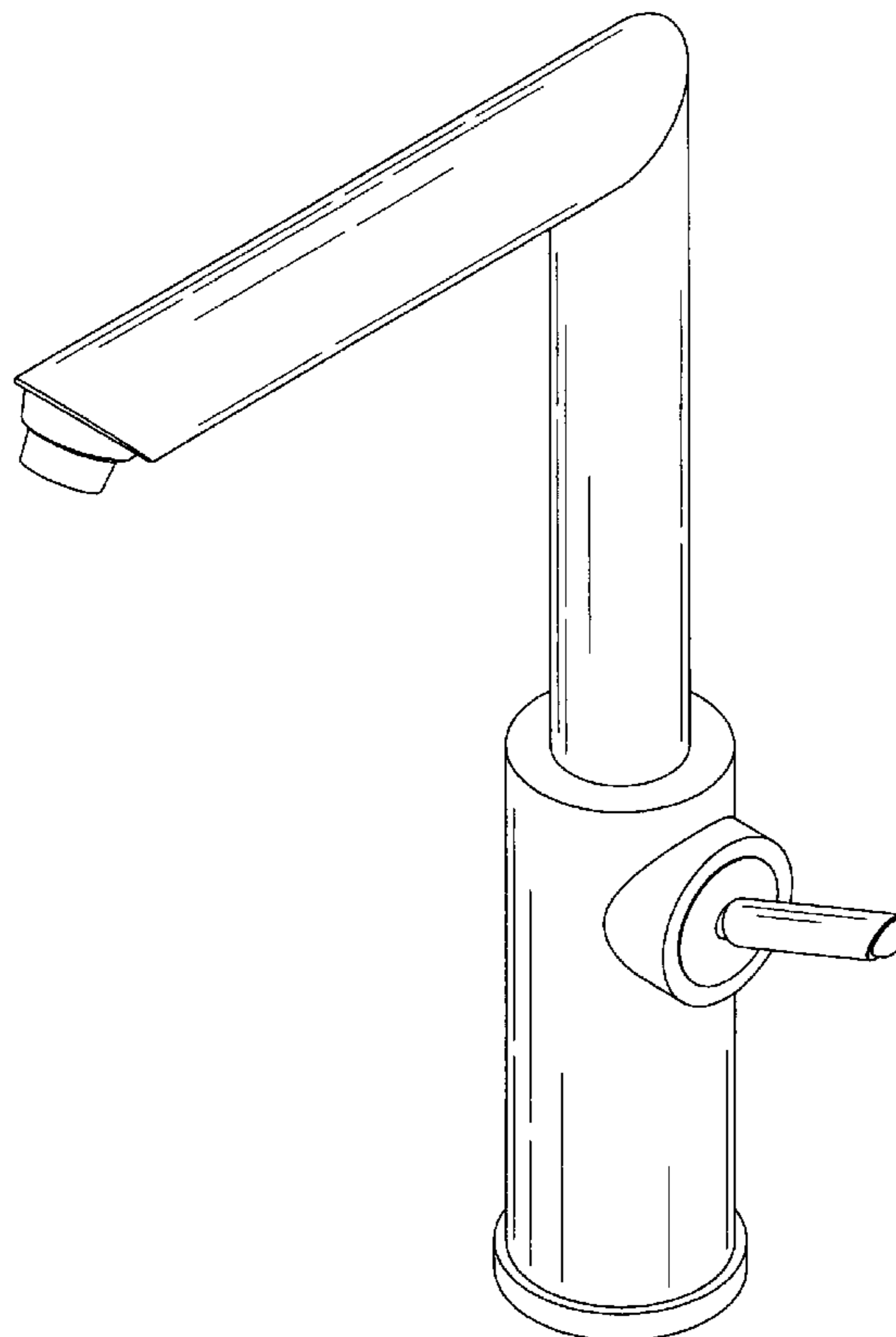
FIG. 8 is the first operational embodiment thereof;

FIG. 9 is the second operational embodiment thereof; and,

FIG. 10 is the third operational embodiment thereof.

The broken lines shown in the faucet spout and the circular area on the faucet base are included for the purpose of illustrating a portion of the faucet set that forms no part of the claimed design.

1 Claim, 10 Drawing Sheets



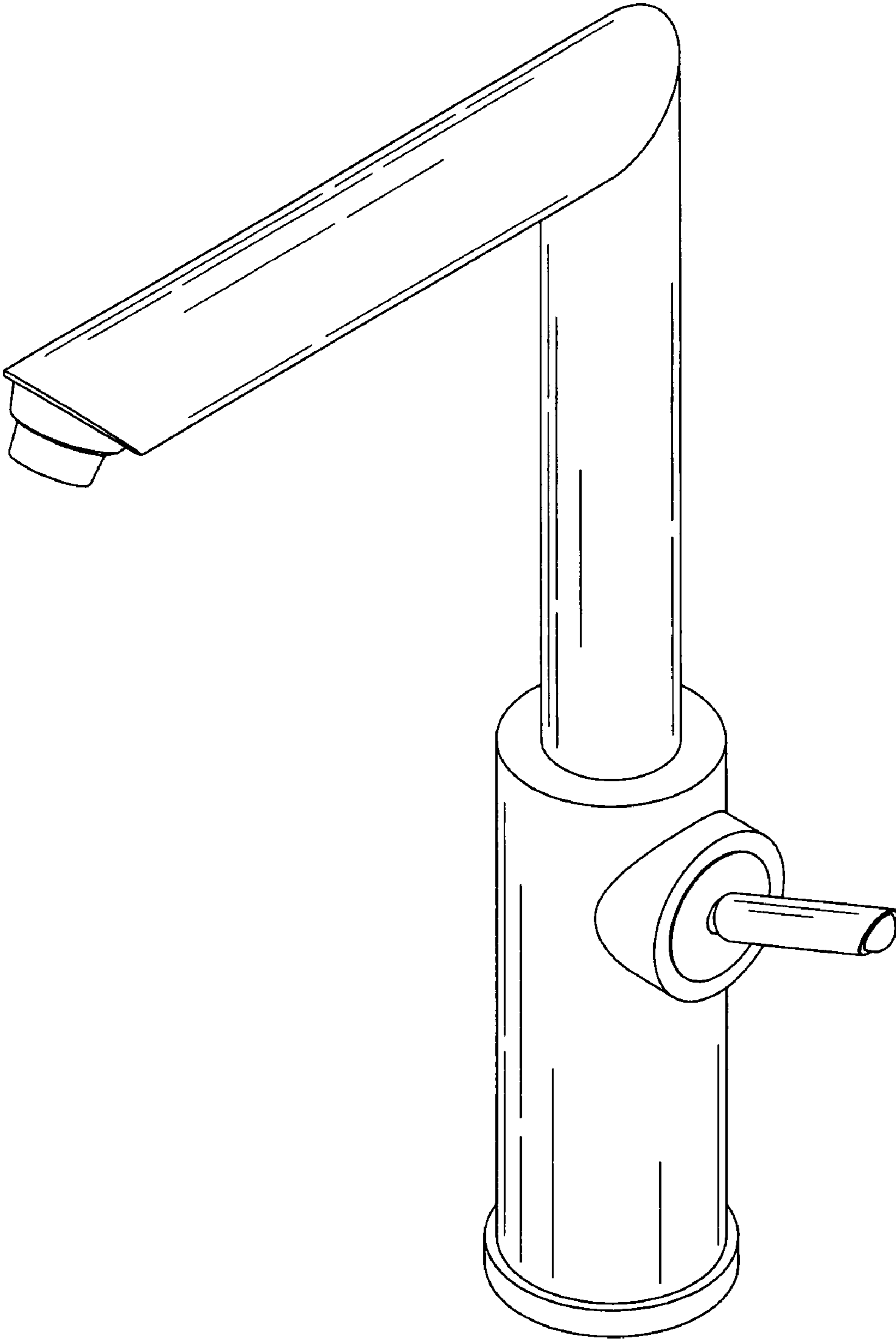


FIG. 1

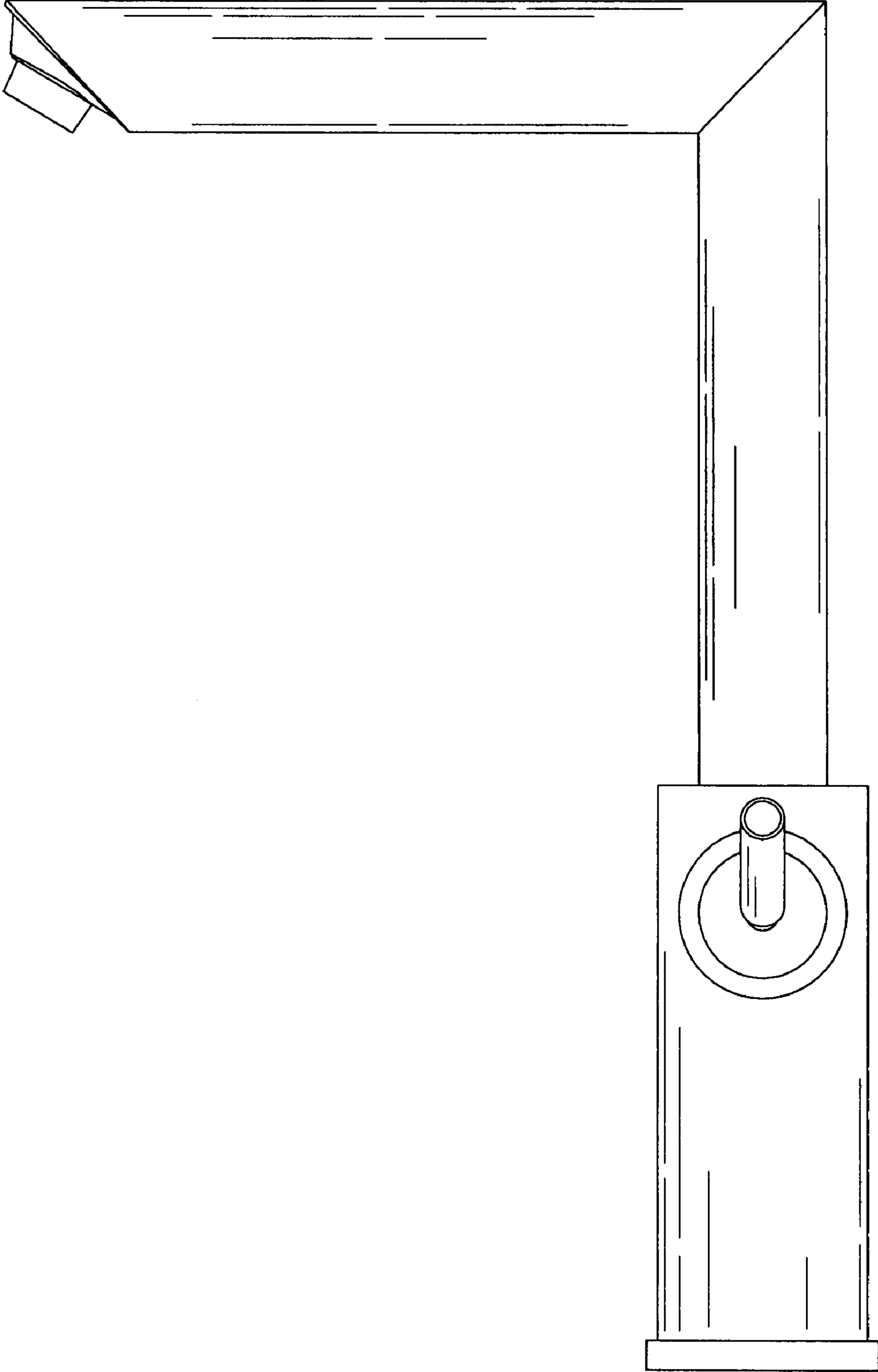


FIG. 2

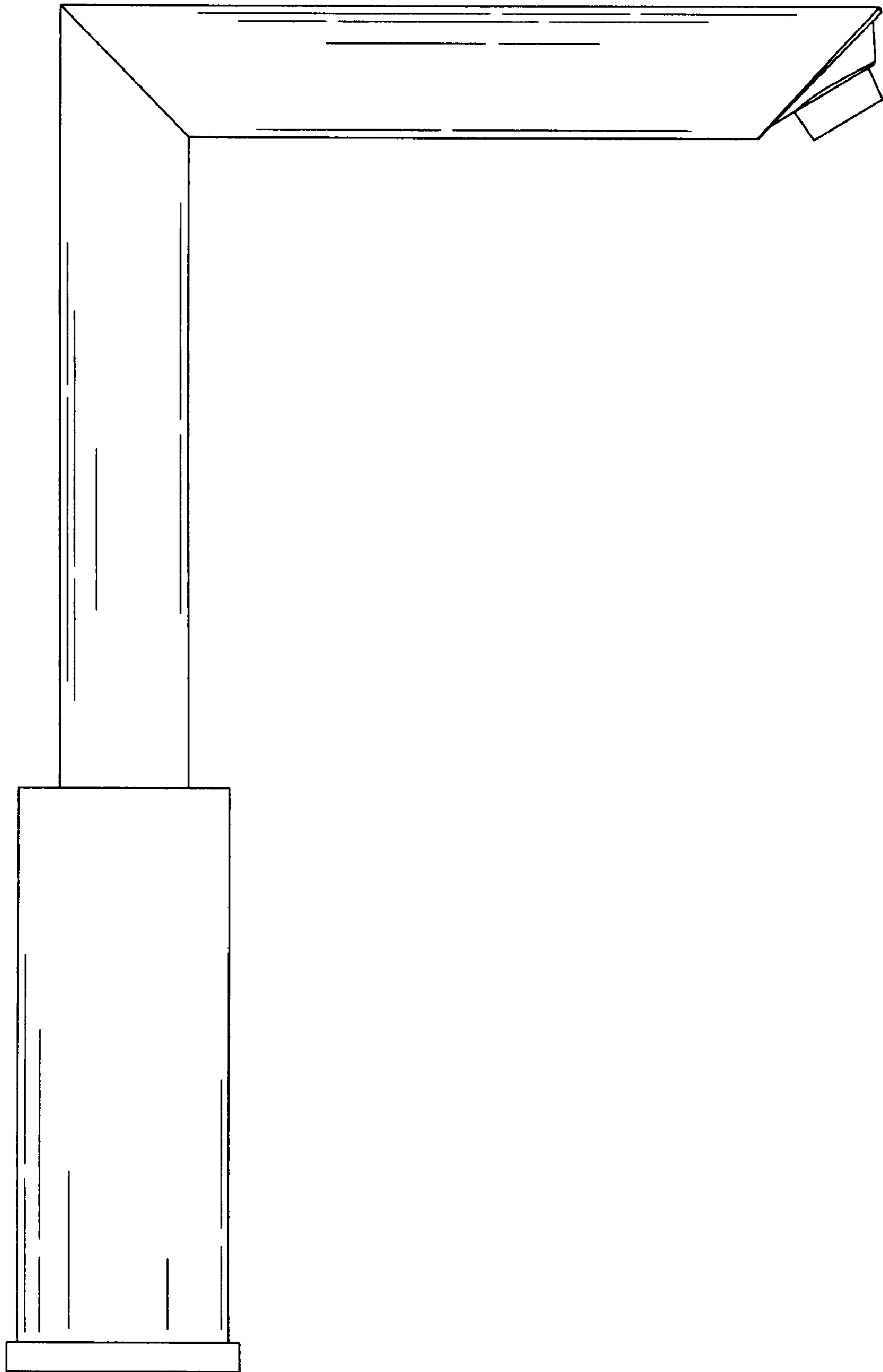


FIG. 3

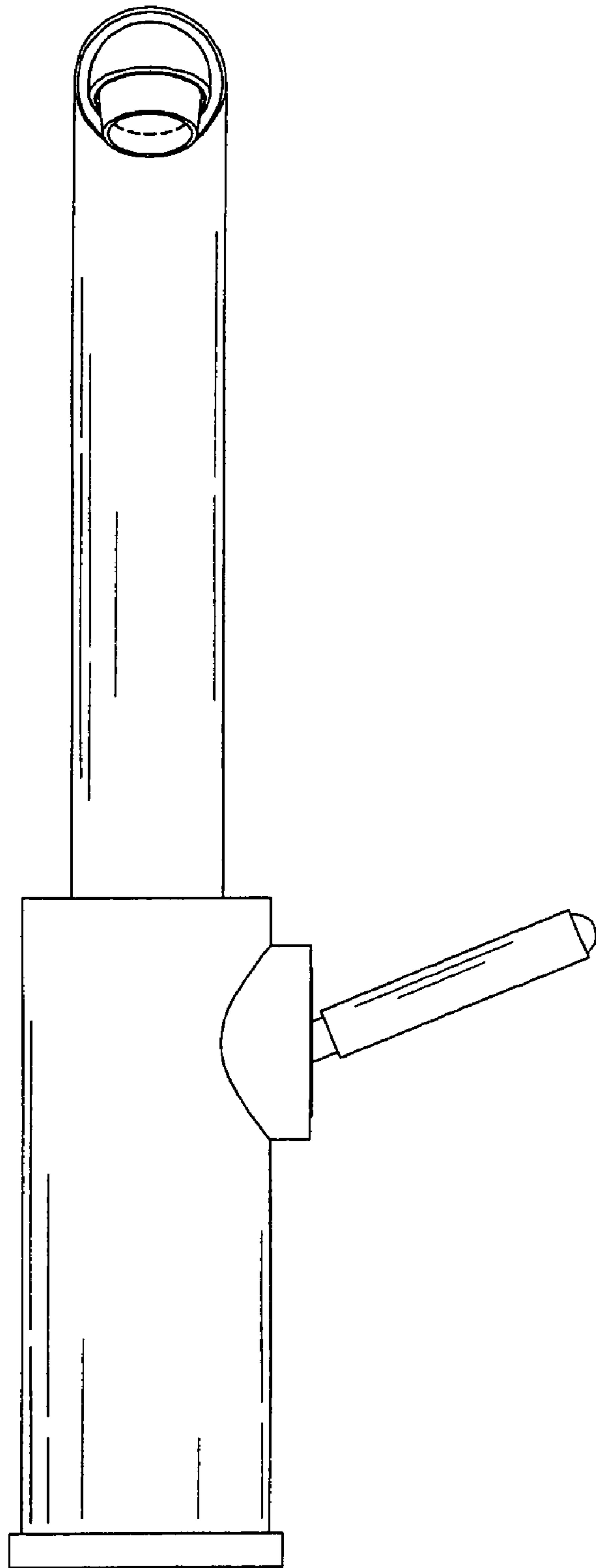


FIG. 4

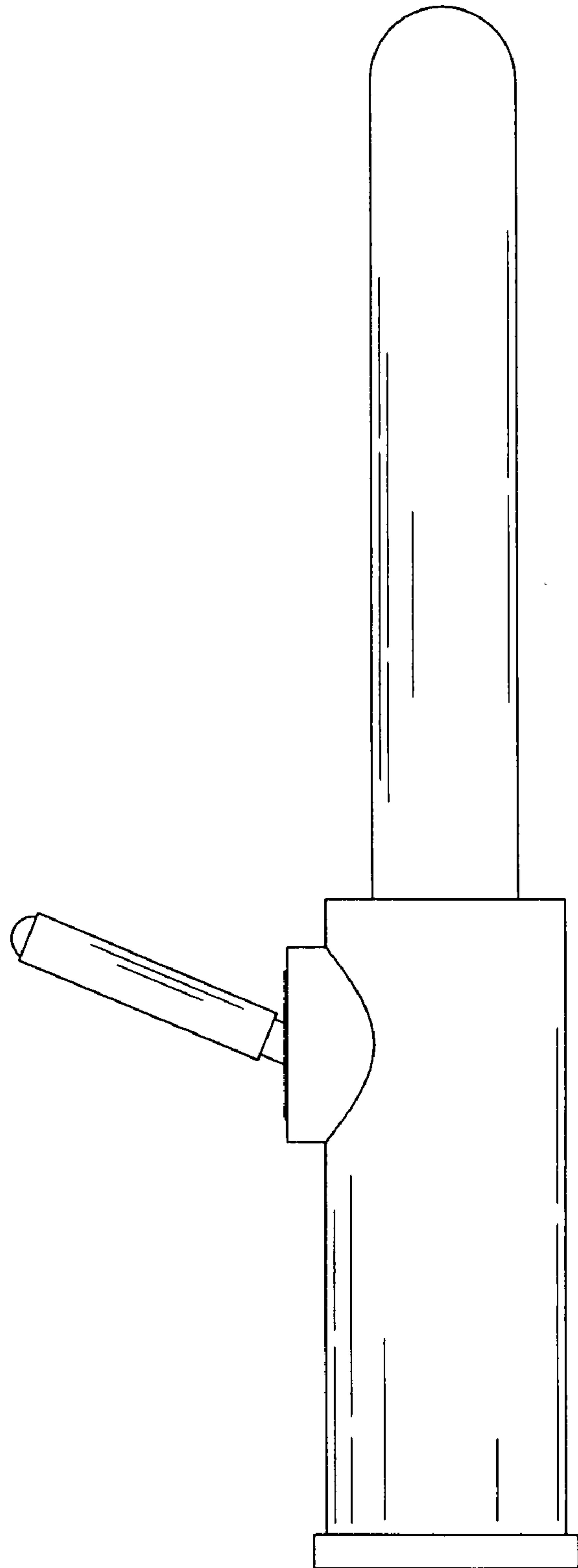


FIG. 5

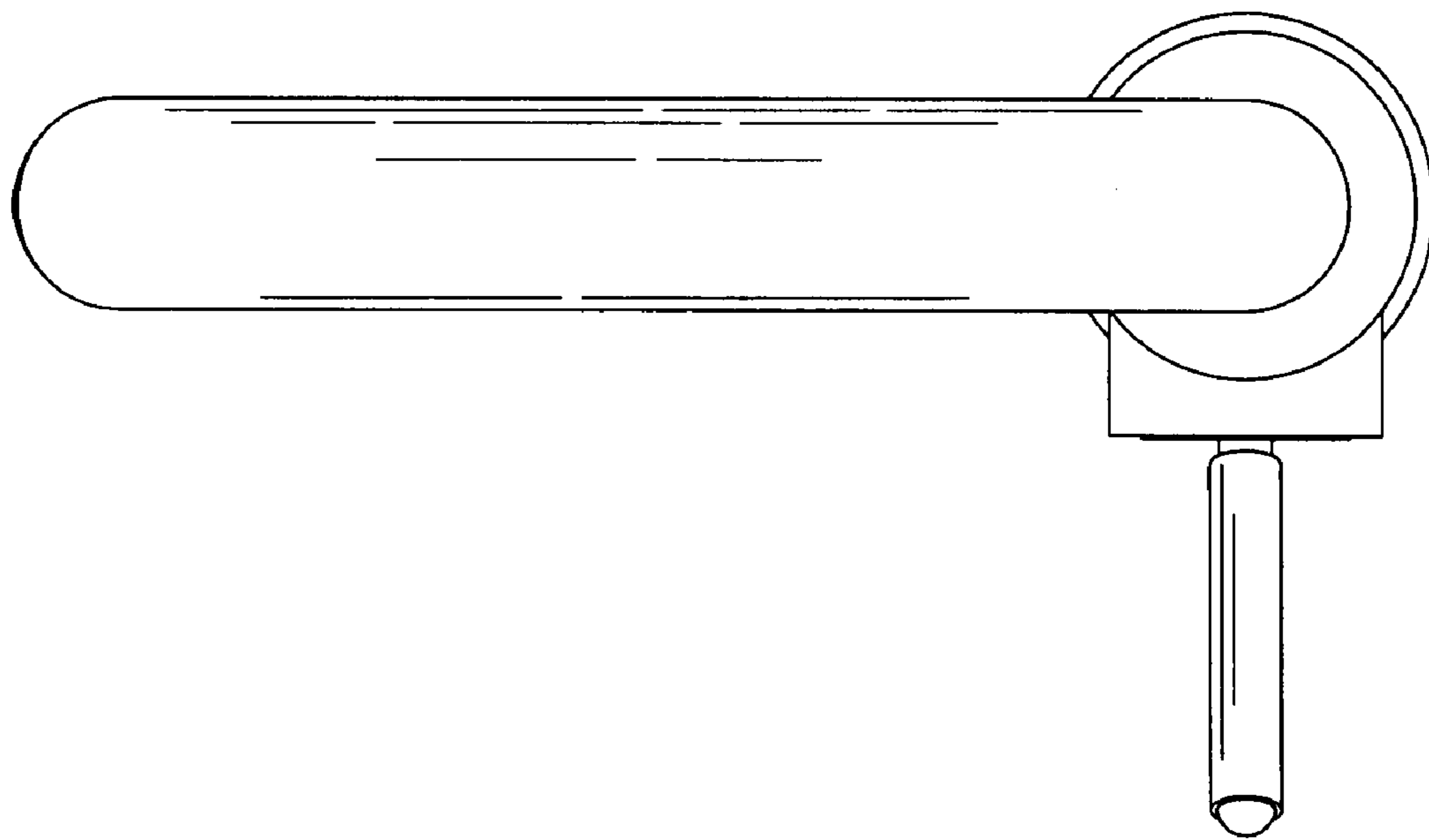


FIG. 6

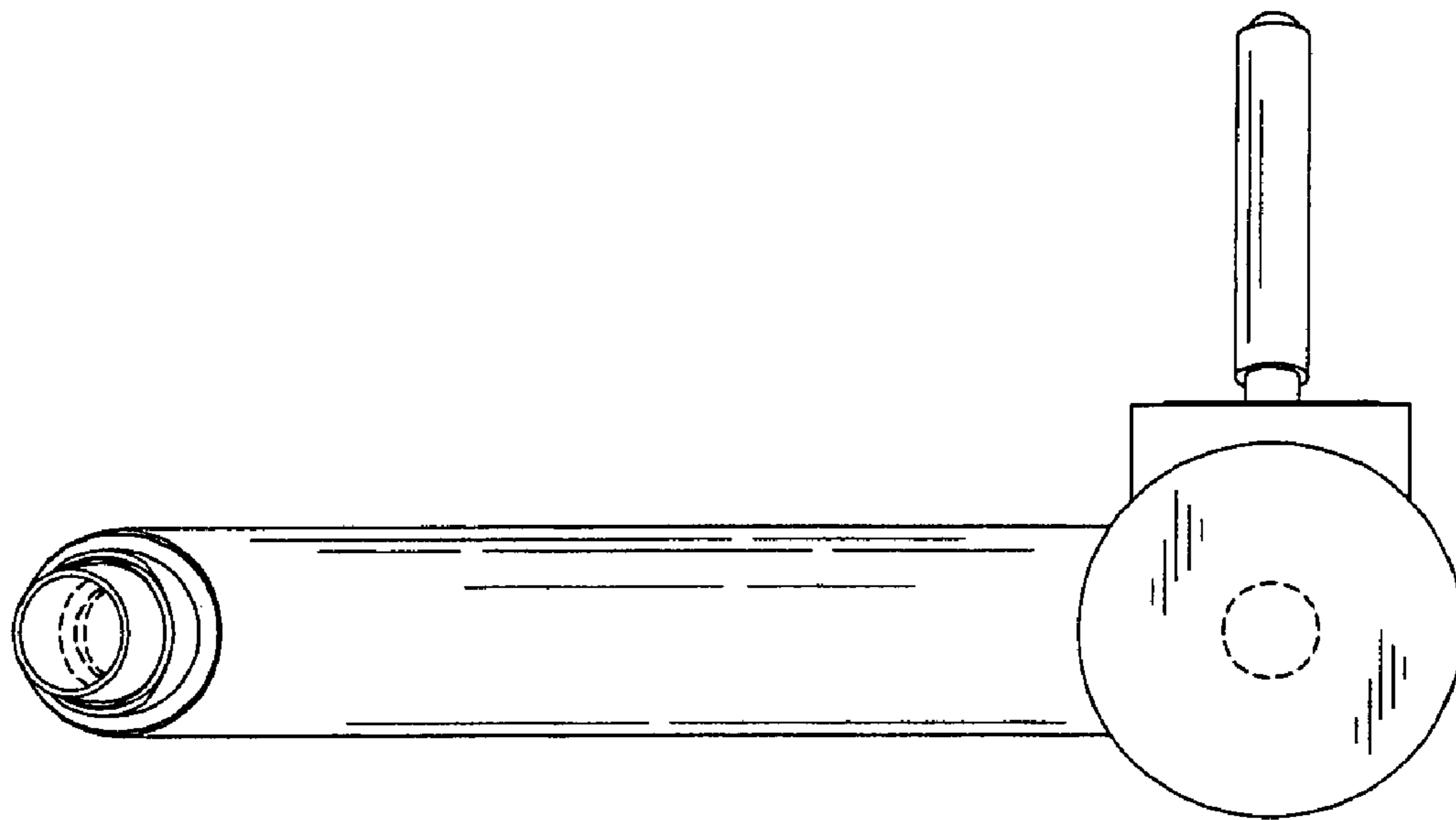


FIG. 7

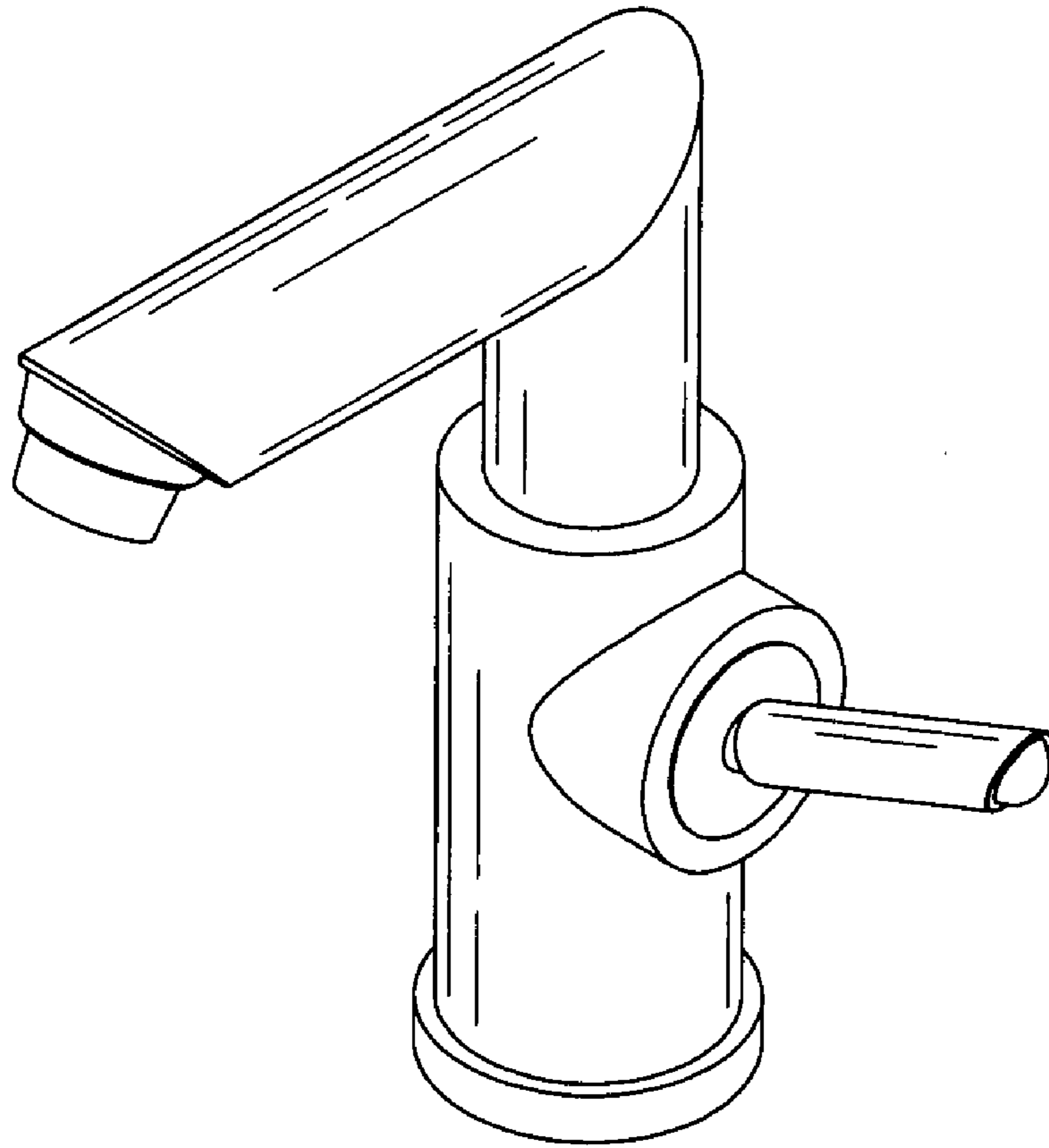


FIG. 8

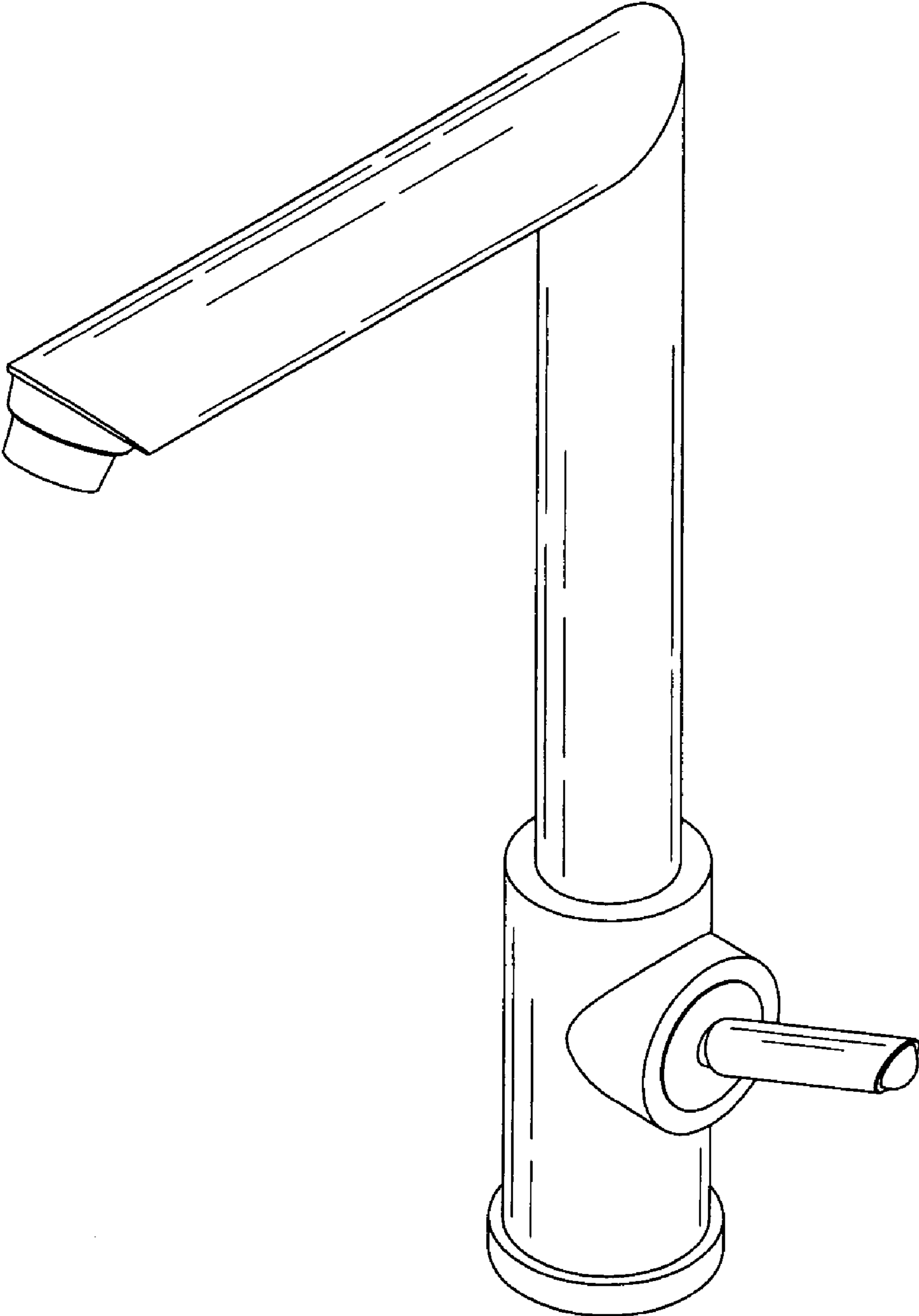


FIG. 9

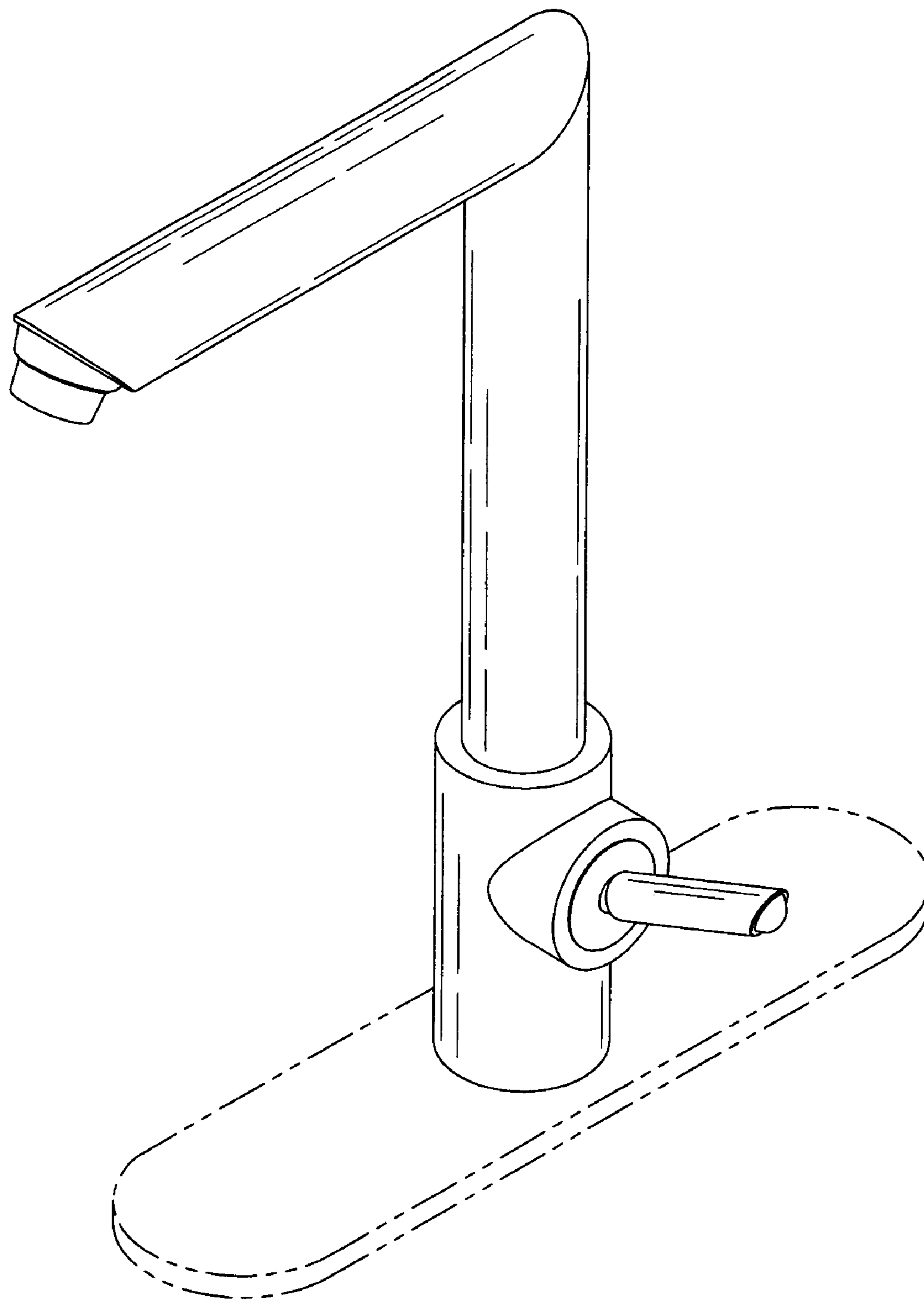


FIG. 10