



US00D585959S

(12) **United States Design Patent**
Caron et al.

(10) **Patent No.:** **US D585,959 S**
(45) **Date of Patent:** **** Feb. 3, 2009**

(54) **REGULATOR VALVE**

(75) Inventors: **Joseph Michael Caron**, Summit, NJ
(US); **Gerald Gramegna**, Saddle Brook,
NJ (US)

(73) Assignee: **Versa Products Company, Inc.**,
Paramus, NJ (US)

(**) Term: **14 Years**

(21) Appl. No.: **29/241,687**

(22) Filed: **Oct. 31, 2005**

(51) **LOC (9) Cl.** **23-01**

(52) **U.S. Cl.** **D23/233**

(58) **Field of Classification Search** D23/233-237,
D23/244-249; 192/87.13, 3.57, 87.18; 251/129.01,
251/137, 282, 324-325, 321, 355, 129.08,
251/129.07

See application file for complete search history.

(56) **References Cited**

U.S. PATENT DOCUMENTS

| | | | | |
|--------------|---------|-----------------|-------|---------|
| D414,498 S * | 9/1999 | Yoshida | | D15/1 |
| D416,265 S * | 11/1999 | Kato et al. | | D15/1 |
| D439,634 S * | 3/2001 | Hayashi et al. | | D23/233 |
| D449,051 S * | 10/2001 | Miyashita | | D15/1 |
| D453,522 S * | 2/2002 | Maeda et al. | | D15/1 |
| D491,193 S * | 6/2004 | Davis | | D15/1 |
| D503,410 S * | 3/2005 | Kato | | D15/1 |
| D520,520 S * | 5/2006 | Nimberger | | D15/5 |
| D527,020 S * | 8/2006 | Miyazaki et al. | | D15/3 |

| | | | | |
|--------------|---------|------------------|-------|---------|
| D529,046 S * | 9/2006 | Maeda et al. | | D15/1 |
| D535,722 S * | 1/2007 | Nimberger | | D23/233 |
| D538,889 S * | 3/2007 | Marstorp | | D23/233 |
| D539,386 S * | 3/2007 | Hayashi et al. | | D23/233 |
| D539,387 S * | 3/2007 | Donovan et al. | | D23/233 |
| D542,382 S * | 5/2007 | Cook et al. | | D23/233 |
| D544,883 S * | 6/2007 | Nimberger | | D15/5 |
| D553,156 S * | 10/2007 | Nimberger et al. | | D15/5 |

* cited by examiner

Primary Examiner—Ian Simmons

Assistant Examiner—Maurice Stevens

(74) *Attorney, Agent, or Firm*—Greenlee, Winner and
Sullivan, P.C.

(57) **CLAIM**

The ornamental design for a regulator valve, as shown and
described.

DESCRIPTION

FIG. 1 is a top and rear perspective view of a regulator valve
showing our new design;

FIG. 2 is a rear and top view thereof;

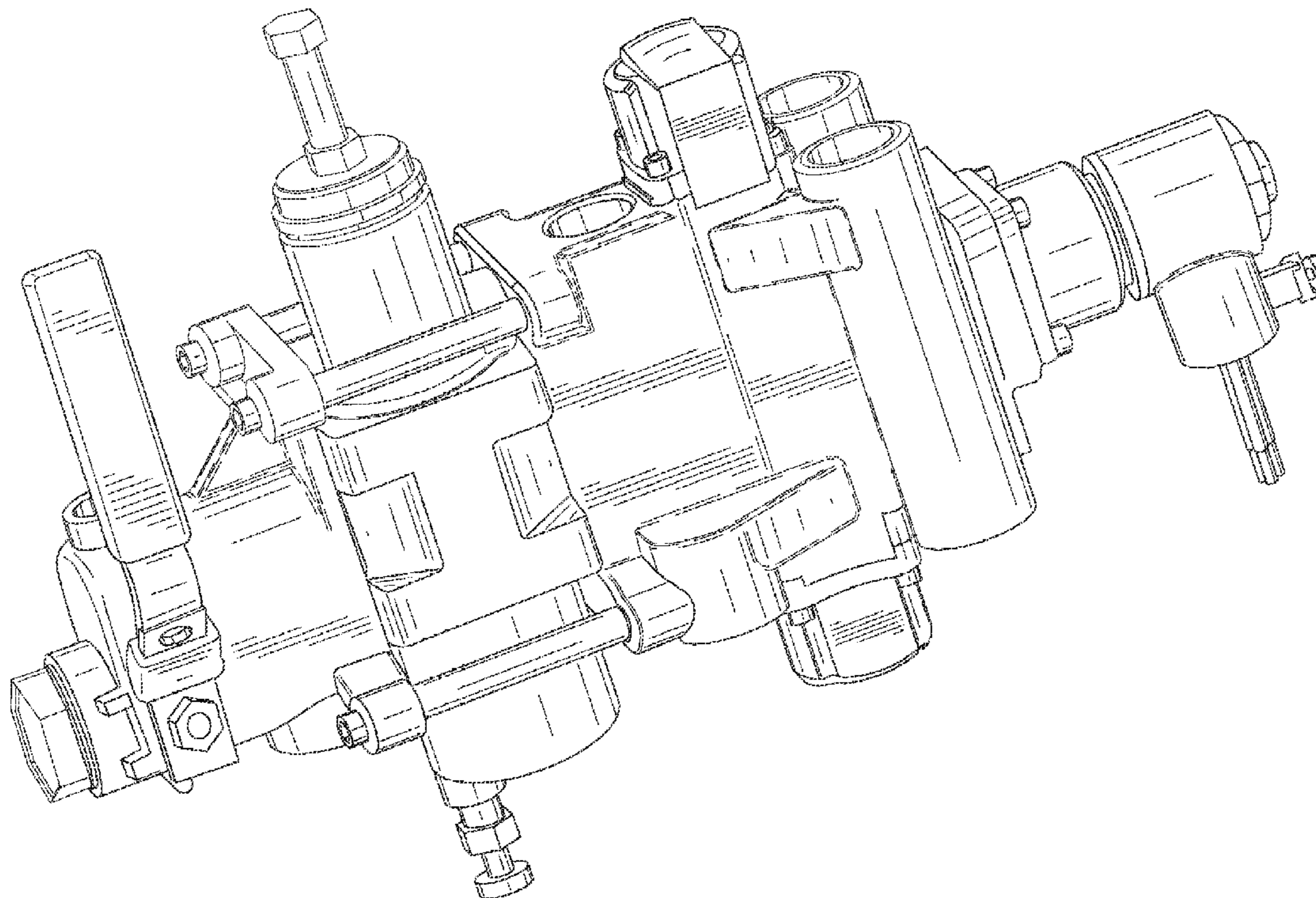
FIG. 3 is a right, rear and top view thereof;

FIG. 4 is a bottom and right view thereof; and,

FIG. 5 is a top, front and left view thereof.

The broken line showing of fasteners and surface structure is
for illustrative purposes and forms no part of the claimed
design.

1 Claim, 5 Drawing Sheets



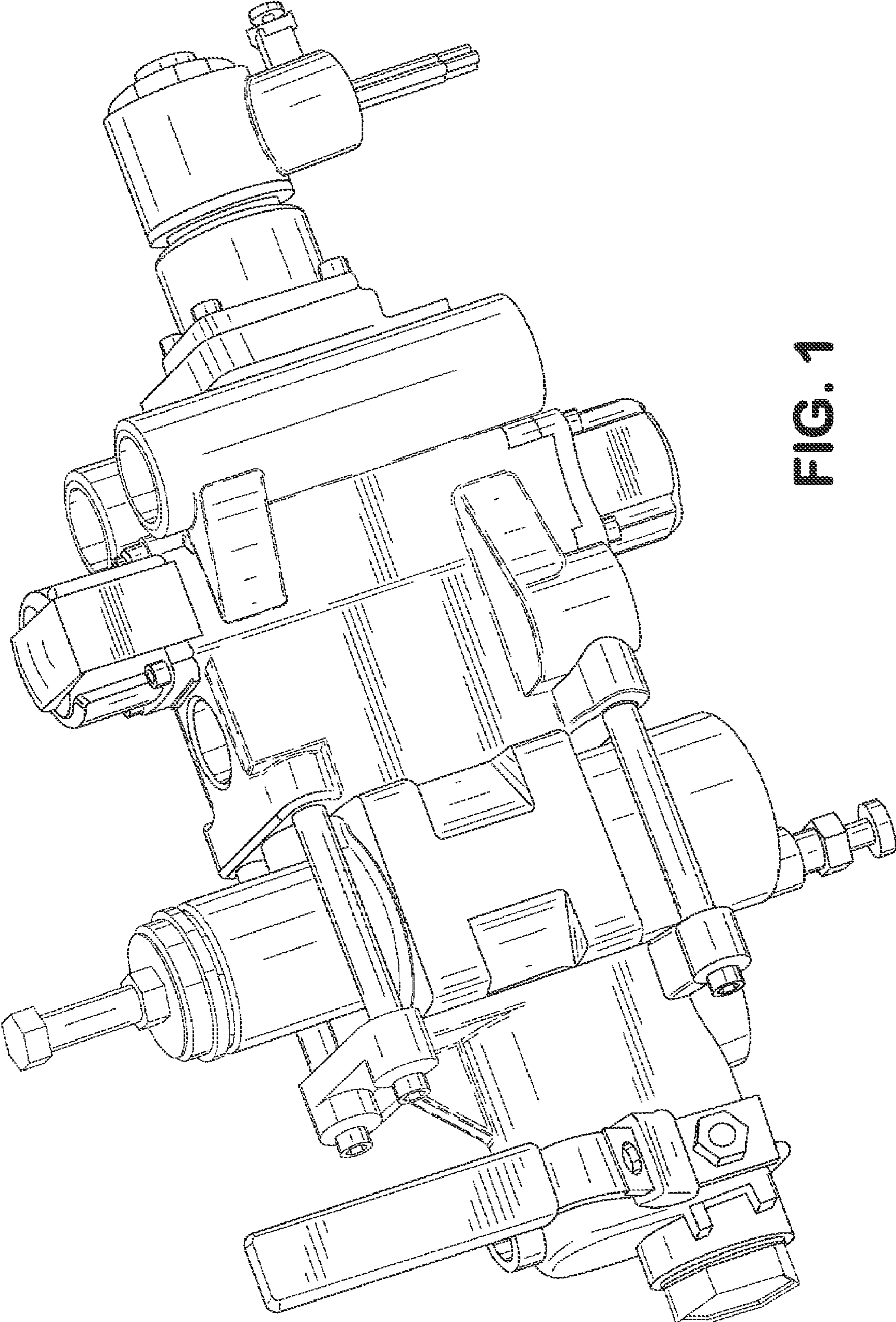


FIG. 1

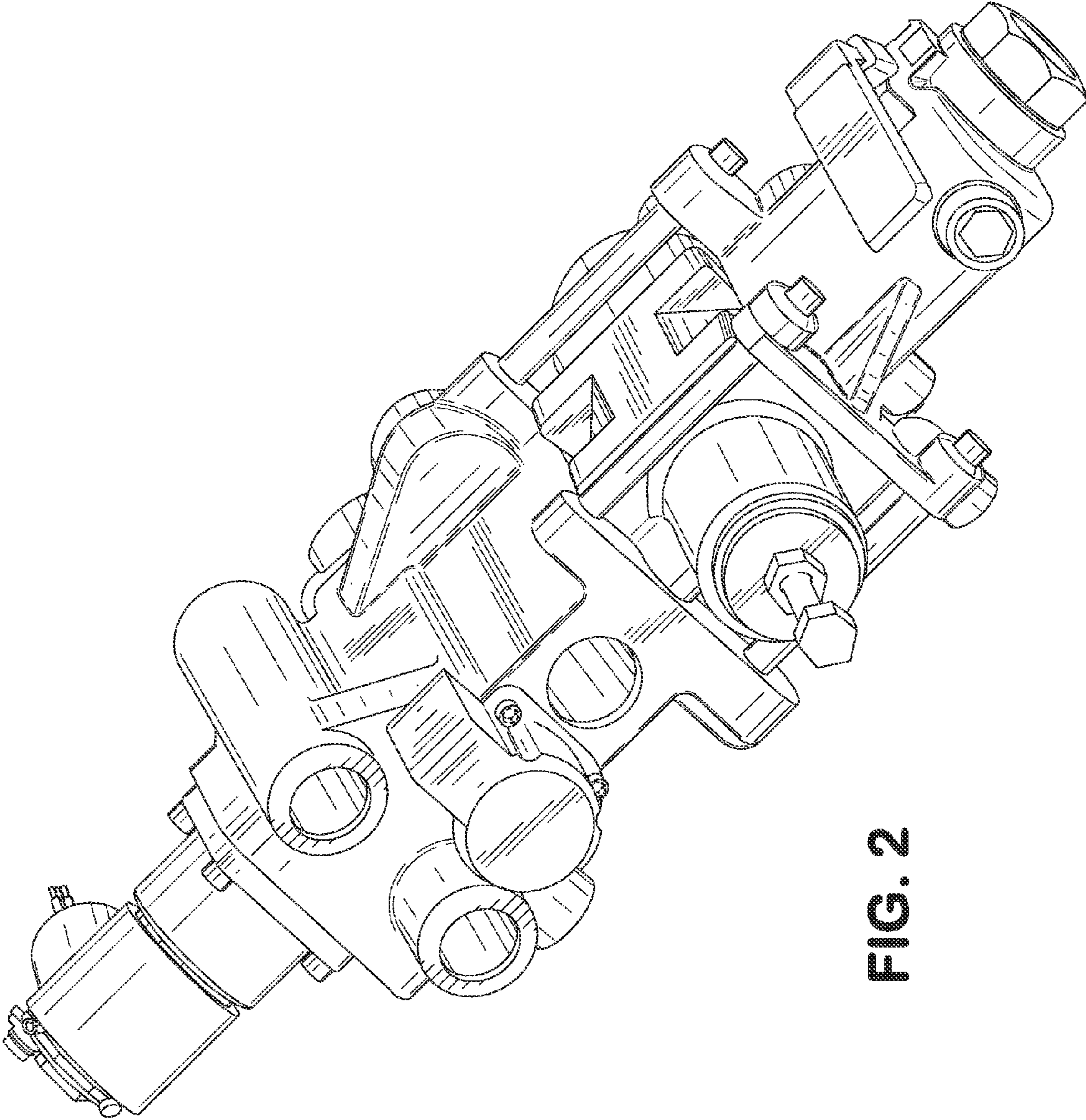


FIG. 2

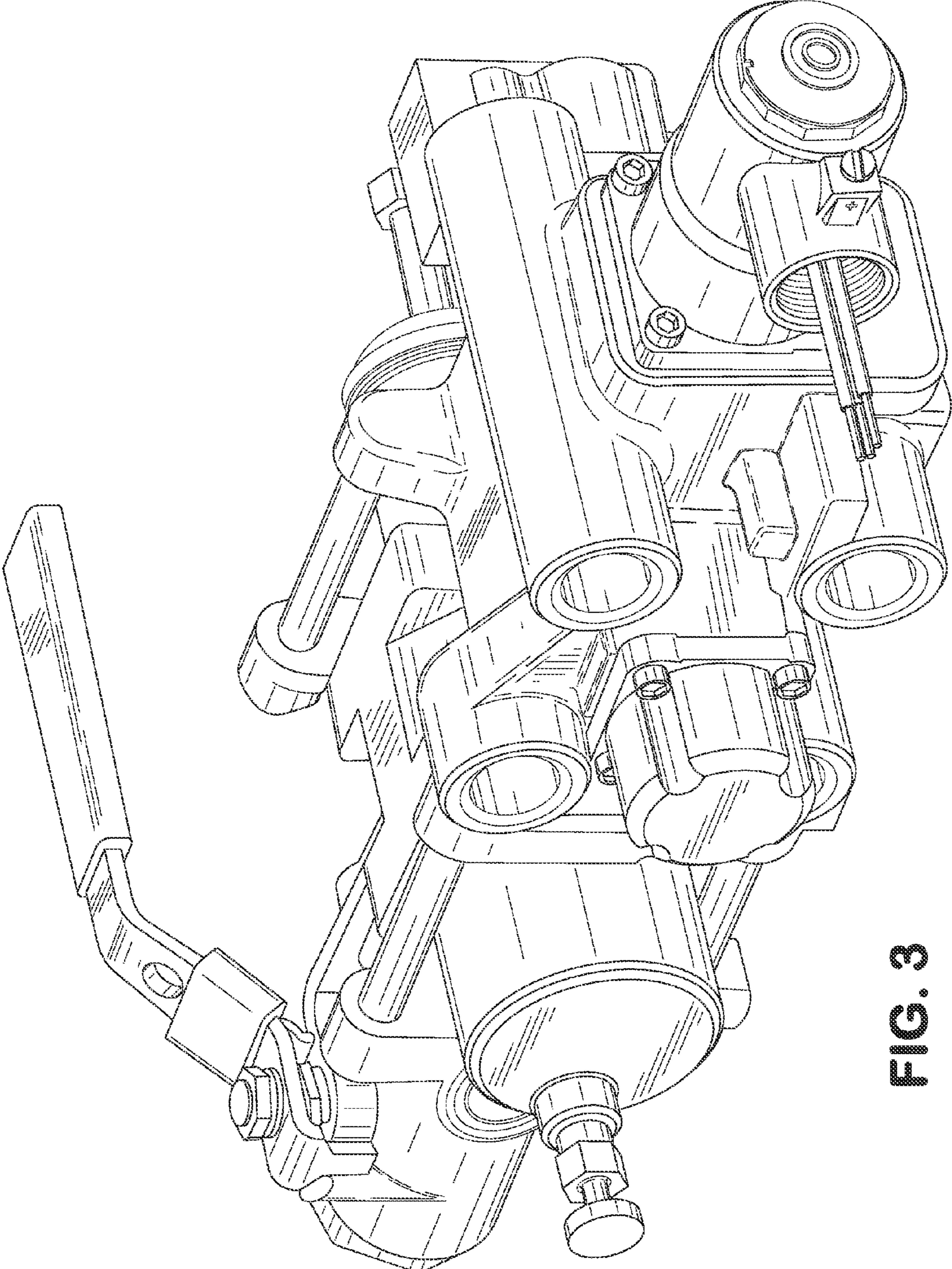


FIG. 3

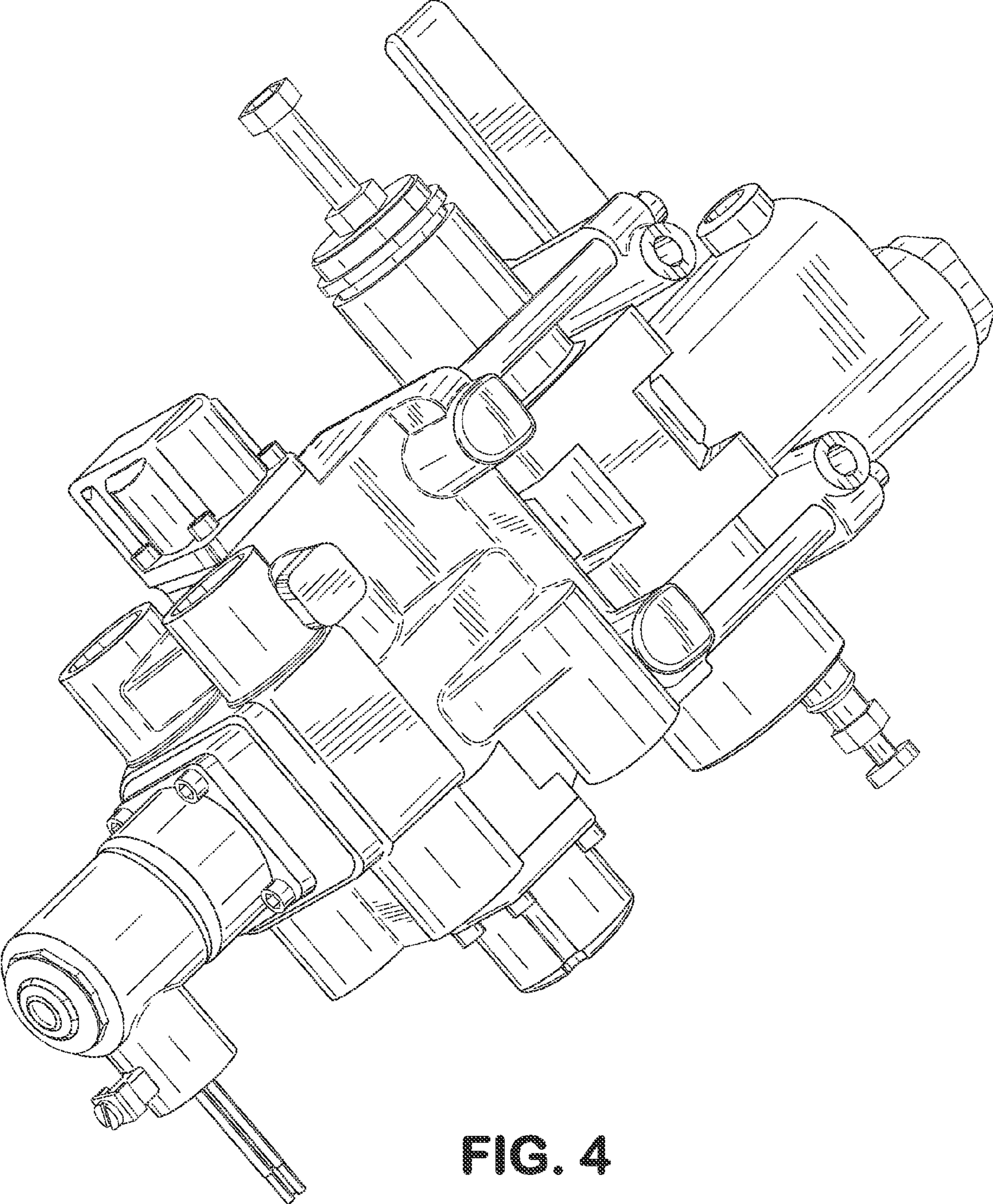


FIG. 4

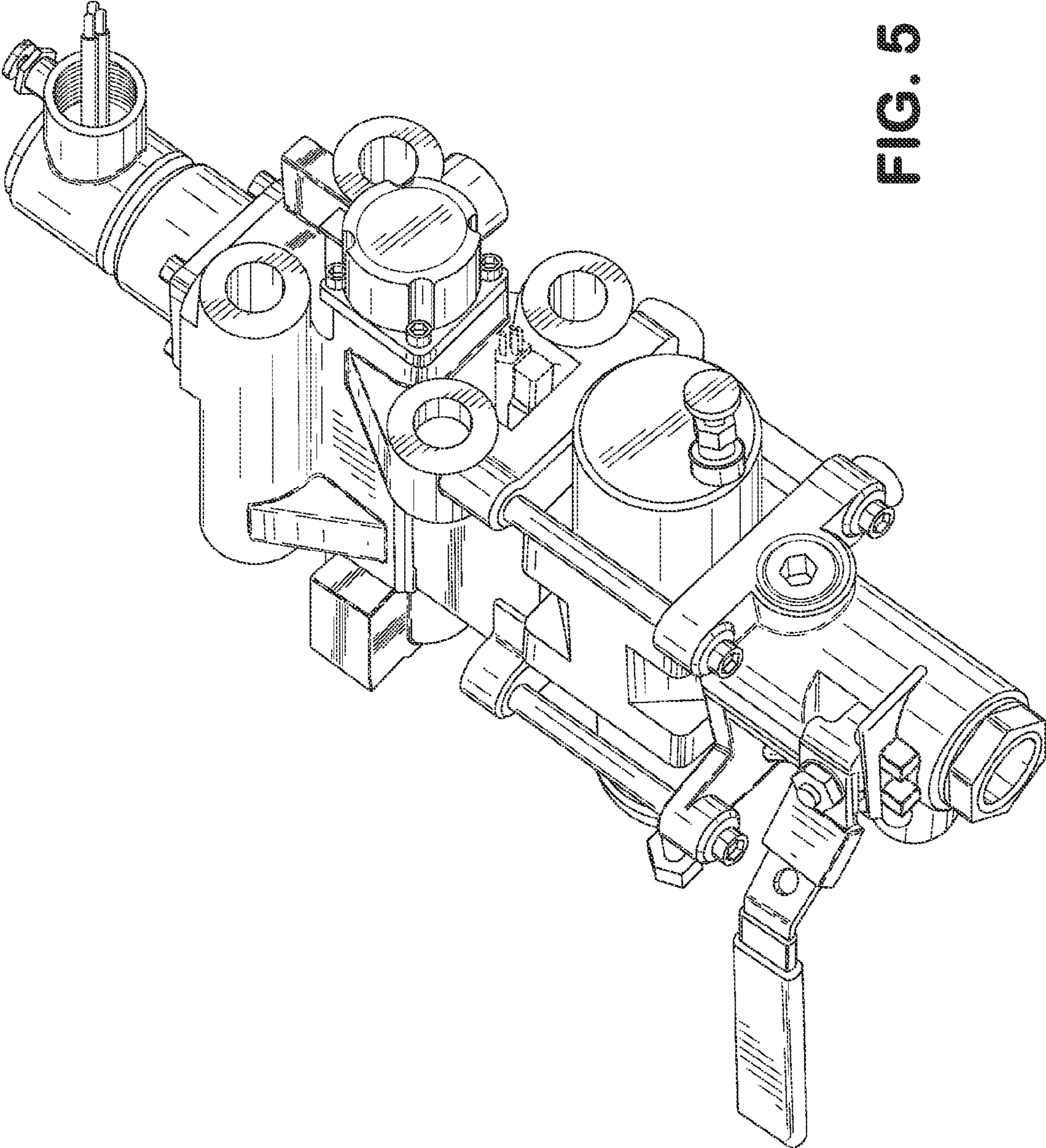


FIG. 5