



US00D585949S

(12) **United States Design Patent**
Gaudin et al.

(10) **Patent No.:** **US D585,949 S**
(45) **Date of Patent:** **** Feb. 3, 2009**

(54) **REBOUNDING SOCCER PRACTICE NET**

(76) Inventors: **Ray Gaudin**, P.O. Box 2168, Ponte Vedra Beach, FL (US) 32004; **Josh Gaudin**, P.O. Box 2168, Ponte Vedra Beach, FL (US) 32004

(**) Term: **14 Years**

(21) Appl. No.: **29/310,058**

(22) Filed: **Jul. 24, 2008**

(51) **LOC (9) Cl.** **21-02**

(52) **U.S. Cl.** **D21/705**

(58) **Field of Classification Search** D21/302, D21/305, 306, 698, 699, 704, 705, 780, 781, D21/789-791; 473/131, 164, 173, 184, 194, 473/197, 415-504; 273/348-410

See application file for complete search history.

(56) **References Cited**

U.S. PATENT DOCUMENTS

920,907	A *	5/1909	Bolton	473/197
3,049,353	A *	8/1962	Viator	473/194
4,553,751	A	11/1985	Ketchum		
4,650,189	A	3/1987	Rajacich		
4,872,674	A *	10/1989	Deal	473/435
4,905,996	A *	3/1990	Tallent et al.	473/197
5,048,844	A	9/1991	Haseltine		
5,306,009	A *	4/1994	Bolanos	473/157
5,308,082	A	5/1994	Bigelow		
5,308,083	A	5/1994	Grunfeld et al.		
5,427,381	A *	6/1995	Macaluso et al.	273/400
5,615,889	A	4/1997	Long		
5,833,234	A *	11/1998	Vavala et al.	473/434

5,938,546	A	8/1999	Caruso		
D420,074	S *	2/2000	Whitham-Taudien	D21/705
6,149,152	A	11/2000	Mancke		
6,209,878	B1	4/2001	Munro		
D442,242	S *	5/2001	Rajacich	D21/705
6,287,220	B1	9/2001	Caruso		
6,517,444	B1 *	2/2003	Yoon	473/197
6,607,455	B1	8/2003	Petras		
6,739,988	B2 *	5/2004	Jensen et al.	473/435
6,846,253	B1	1/2005	Szwalek		
6,979,274	B1	12/2005	Raber		
7,125,351	B1	10/2006	Raber		
2008/0067751	A1 *	3/2008	Hunt	273/396

* cited by examiner

Primary Examiner—Catherine Tuttle

(74) *Attorney, Agent, or Firm*—Jamel Oeser-Sweat, Esq.

(57) **CLAIM**

The ornamental design for a rebounding soccer practice net, as shown and described.

DESCRIPTION

FIG. 1 is a front-top-side perspective view of a rebounding soccer practice net;

FIG. 2 is a front view thereof;

FIG. 3 is a right side view thereof;

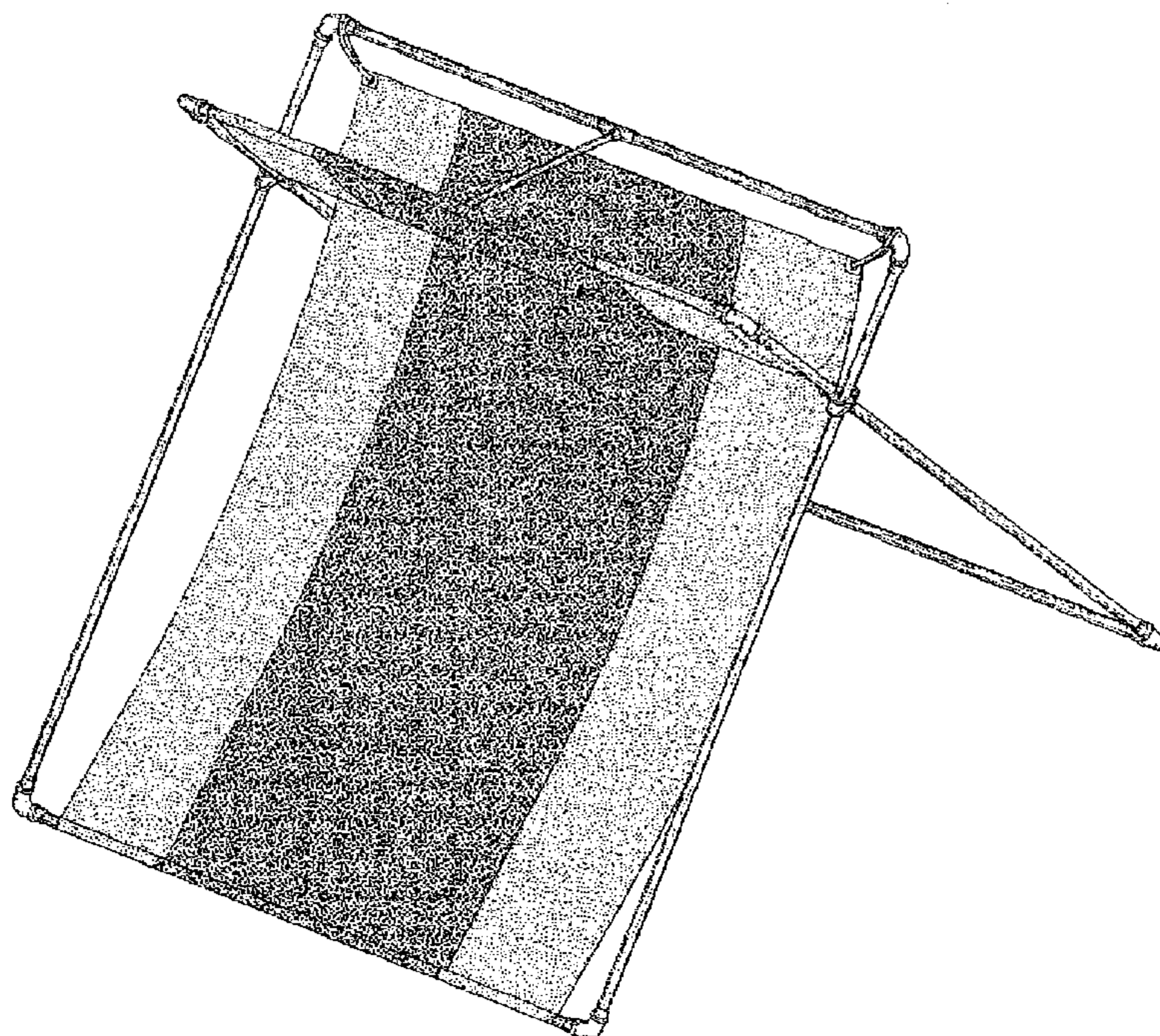
FIG. 4 is a back view of the rebounding soccer practice net when in a folded position;

FIG. 5 is a left side view thereof;

FIG. 6 is a top view thereof; and,

FIG. 7 is a bottom view thereof.

1 Claim, 7 Drawing Sheets



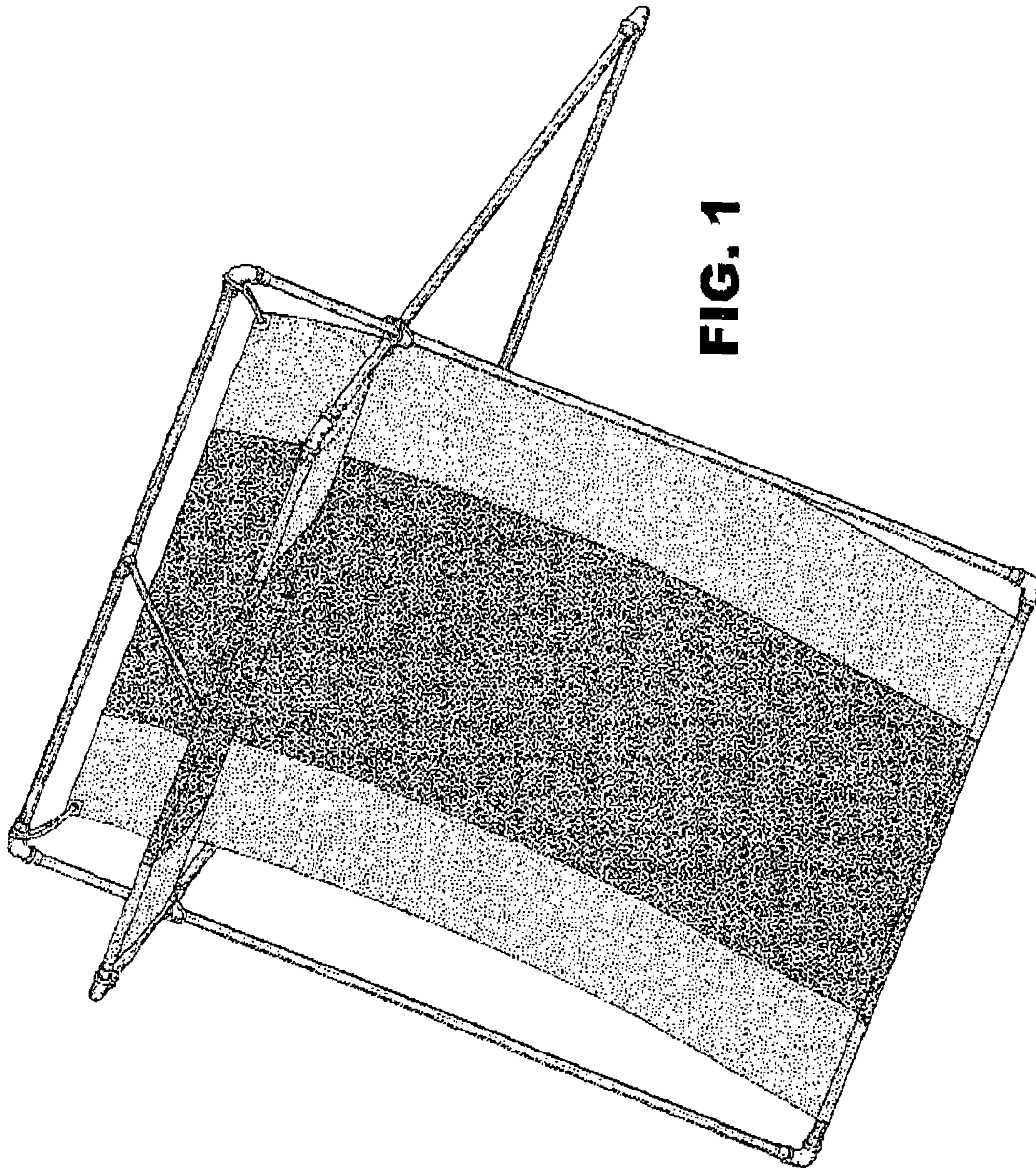


FIG. 1

FIG. 2

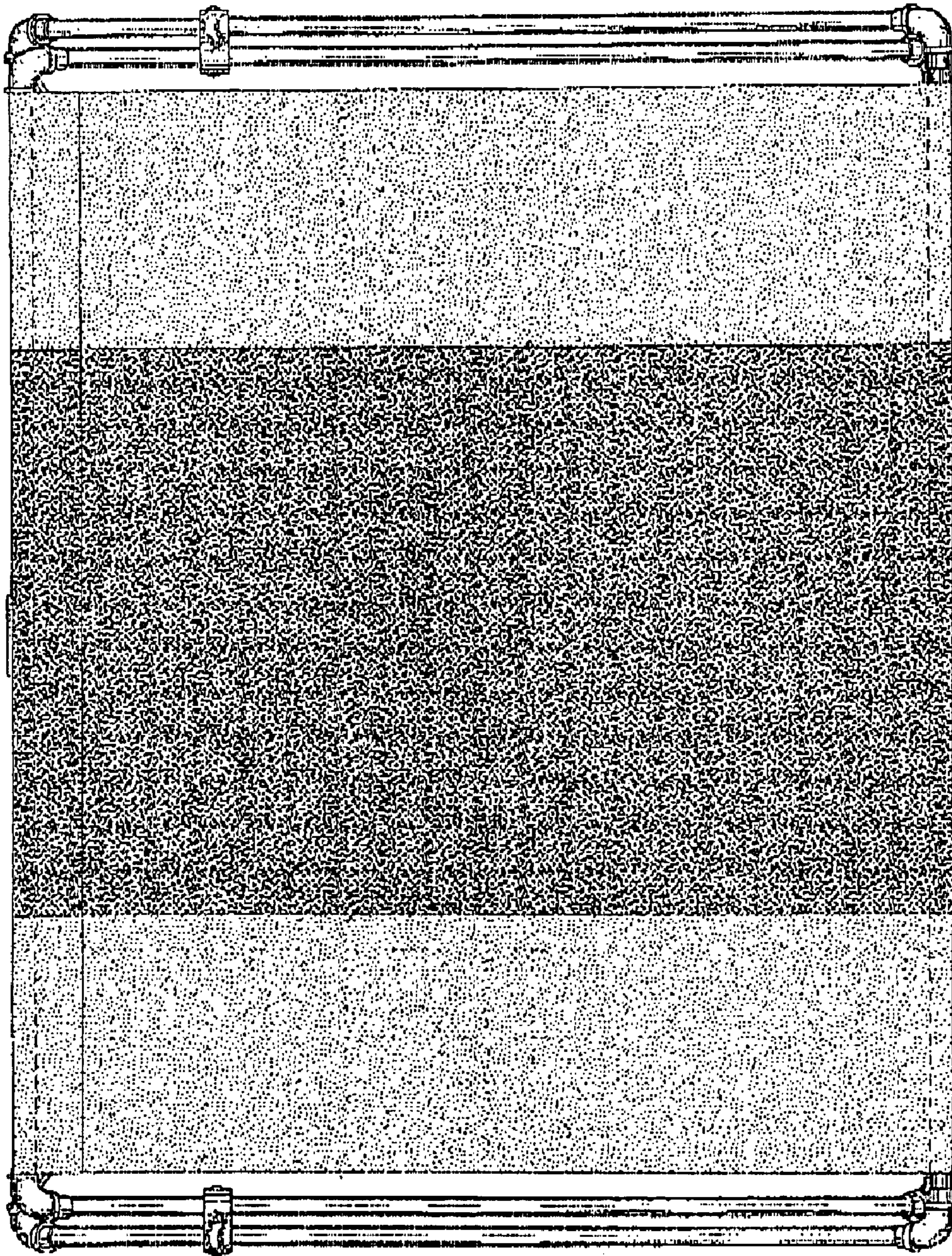


FIG. 3

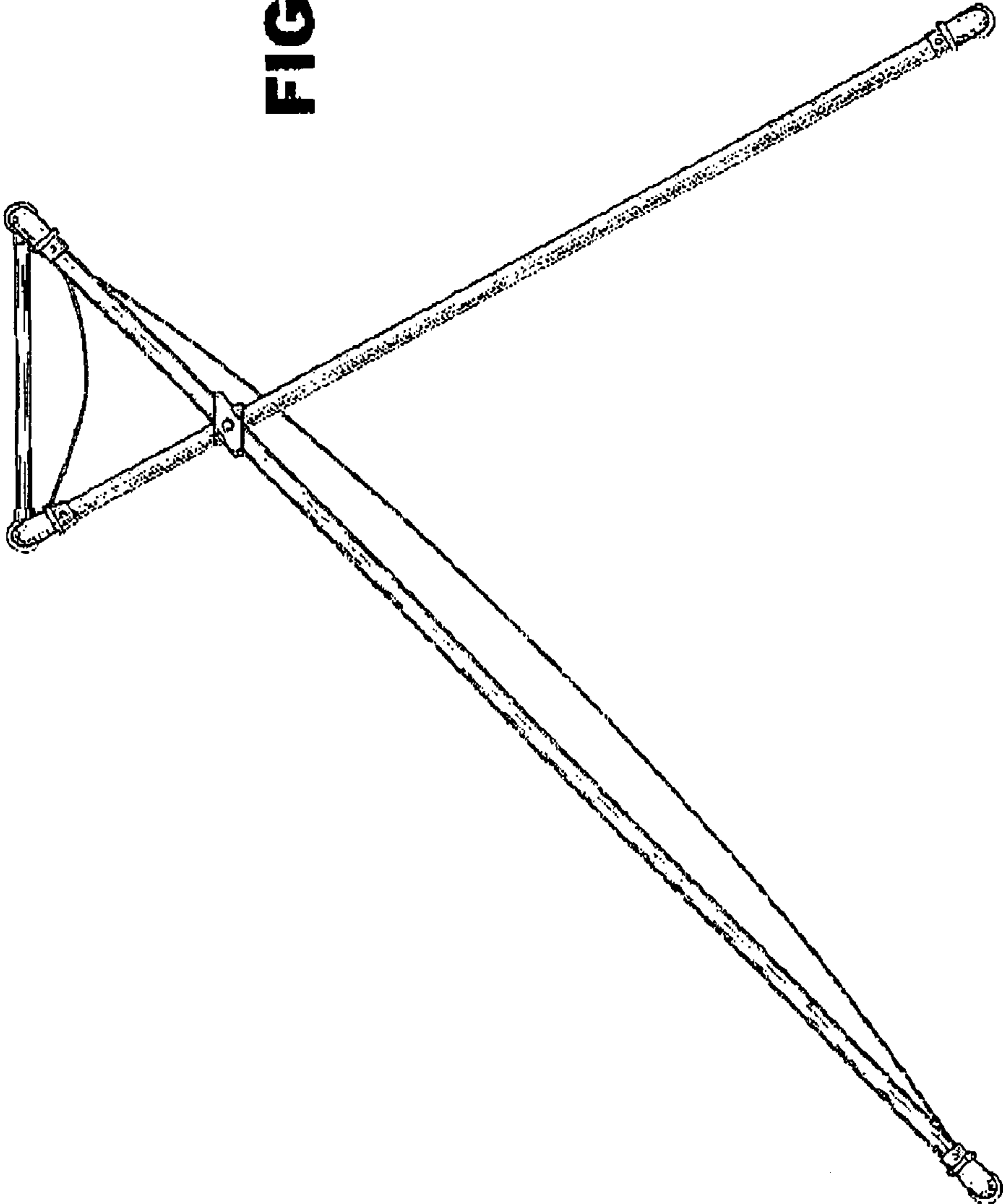


FIG. 4

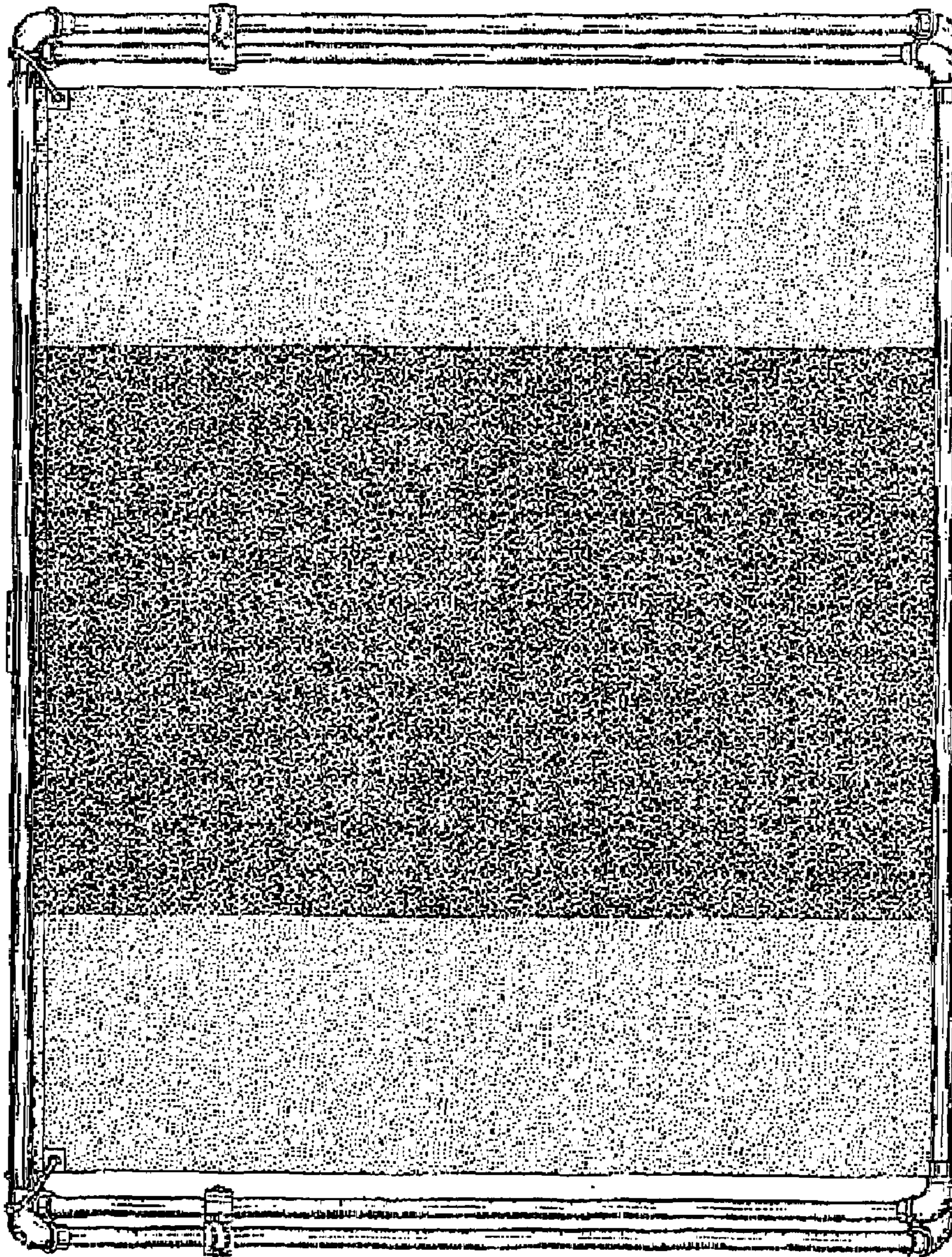


FIG. 5

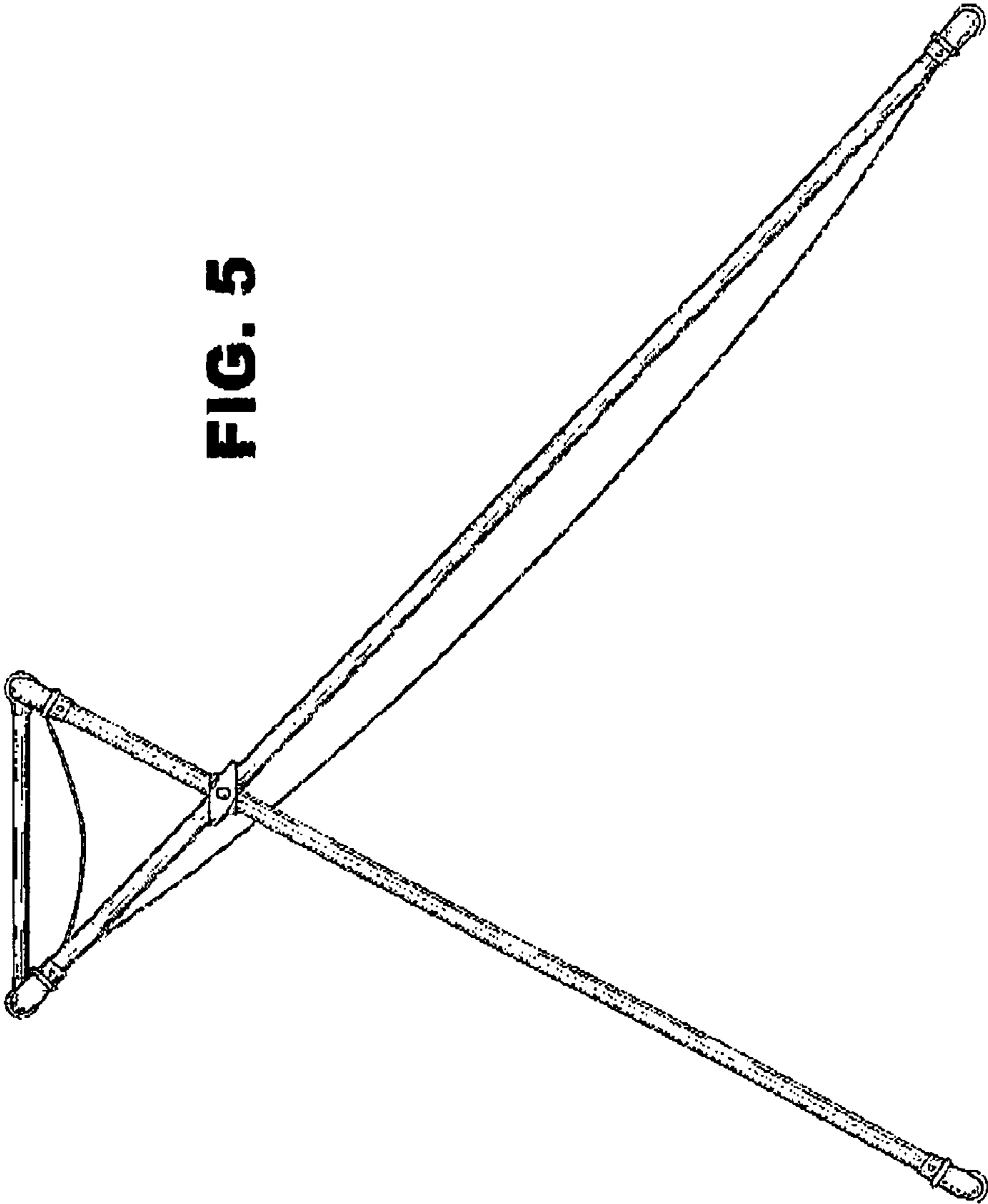


FIG. 6

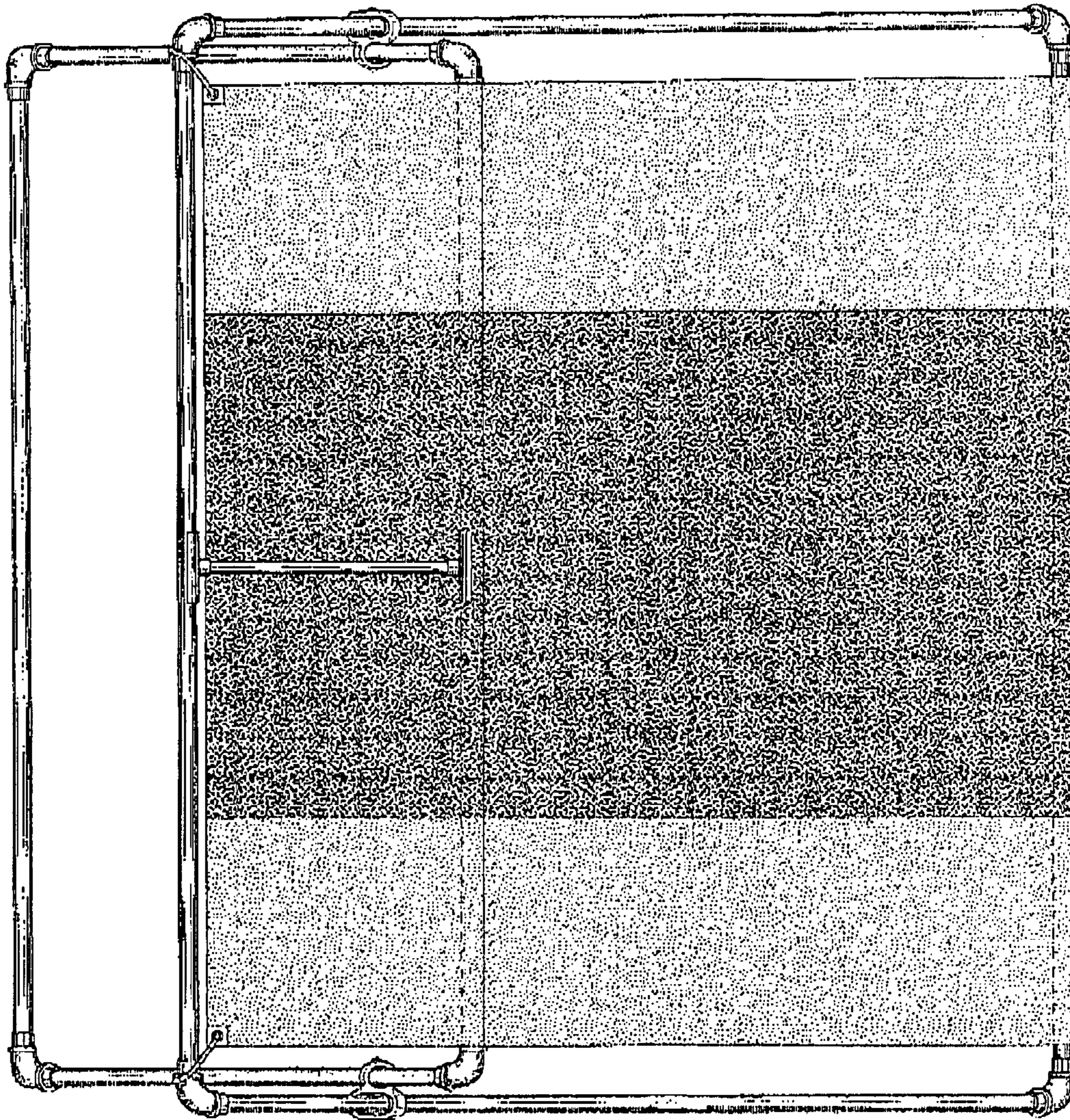


FIG. 7

