



US00D585945S

(12) **United States Design Patent**  
**Yamashita**

(10) **Patent No.:** **US D585,945 S**  
(45) **Date of Patent:** **\*\* Feb. 3, 2009**

(54) **CONTROLLER FOR GAME DEVICE**

(75) Inventor: **Koji Yamashita**, Tokyo (JP)

(73) Assignee: **Sega Corporation**, Tokyo (JP)

(\*\*) Term: **14 Years**

(21) Appl. No.: **29/274,254**

(22) Filed: **Apr. 10, 2007**

(30) **Foreign Application Priority Data**

Oct. 12, 2006 (JP) ..... 2006-027618

(51) **LOC (9) Cl.** ..... **21-01**

(52) **U.S. Cl.** ..... **D21/332; D14/419**

(58) **Field of Classification Search** ..... D21/324,  
D21/332, 333; D14/356, 419, 454, 217,  
D14/432; 273/148 B; 463/43-47, 1  
See application file for complete search history.

(56) **References Cited**

**U.S. PATENT DOCUMENTS**

- 4,865,321 A \* 9/1989 Nakagawa et al. .... 463/29
- D368,496 S \* 4/1996 Seger ..... D14/419
- 5,926,438 A \* 7/1999 Saito ..... 367/111
- 6,267,678 B1 \* 7/2001 Kubo et al. .... 463/44
- D460,760 S \* 7/2002 Whitehorn et al. .... D14/419
- 6,716,103 B1 \* 4/2004 Eck et al. .... 463/45
- D517,124 S \* 3/2006 Merrill et al. .... D21/324
- D539,355 S \* 3/2007 Fujita ..... D21/332

- D546,896 S \* 7/2007 Ibuki ..... D21/332
- D550,775 S \* 9/2007 Fujita ..... D21/332
- D553,692 S \* 10/2007 Ehara et al. .... D21/332

\* cited by examiner

*Primary Examiner*—Prabhakar Deshmukh

(74) *Attorney, Agent, or Firm*—Dickstein & Shapiro LLP

(57) **CLAIM**

The ornamental design for the controller for game device, as shown and described.

**DESCRIPTION**

FIG. 1 is a front elevational view of my new design for a controller for game device;

FIG. 2 is a rear elevational view of the controller for game device of FIG. 1;

FIG. 3 is a top plan view of the controller for game device of FIG. 1;

FIG. 4 is a bottom plan view of the controller for game device of FIG. 1;

FIG. 5 is a right side elevational view of the controller for game device of FIG. 1;

FIG. 6 is a left side elevational view of the controller for game device of FIG. 1; and,

FIG. 7 is a front, top and right side perspective view of the controller for game device of FIG. 1.

**1 Claim, 7 Drawing Sheets**

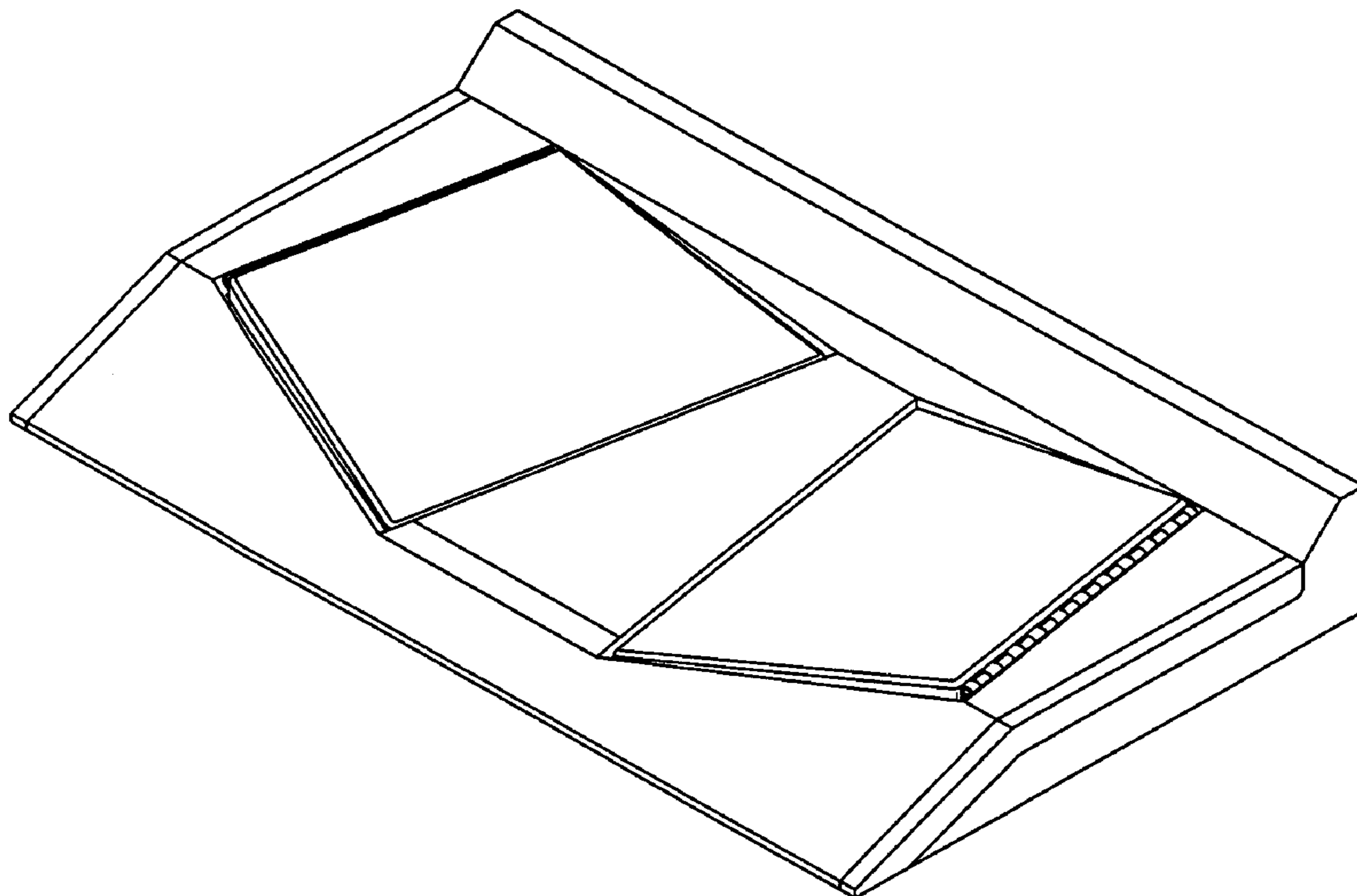
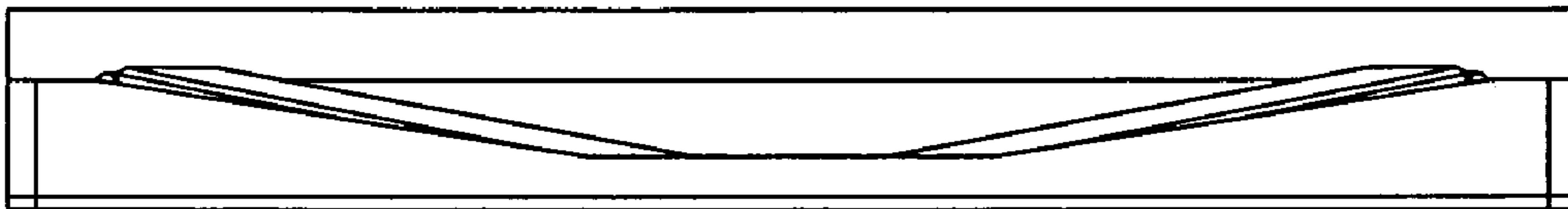


FIG. 1



**FIG.2**



FIG.3

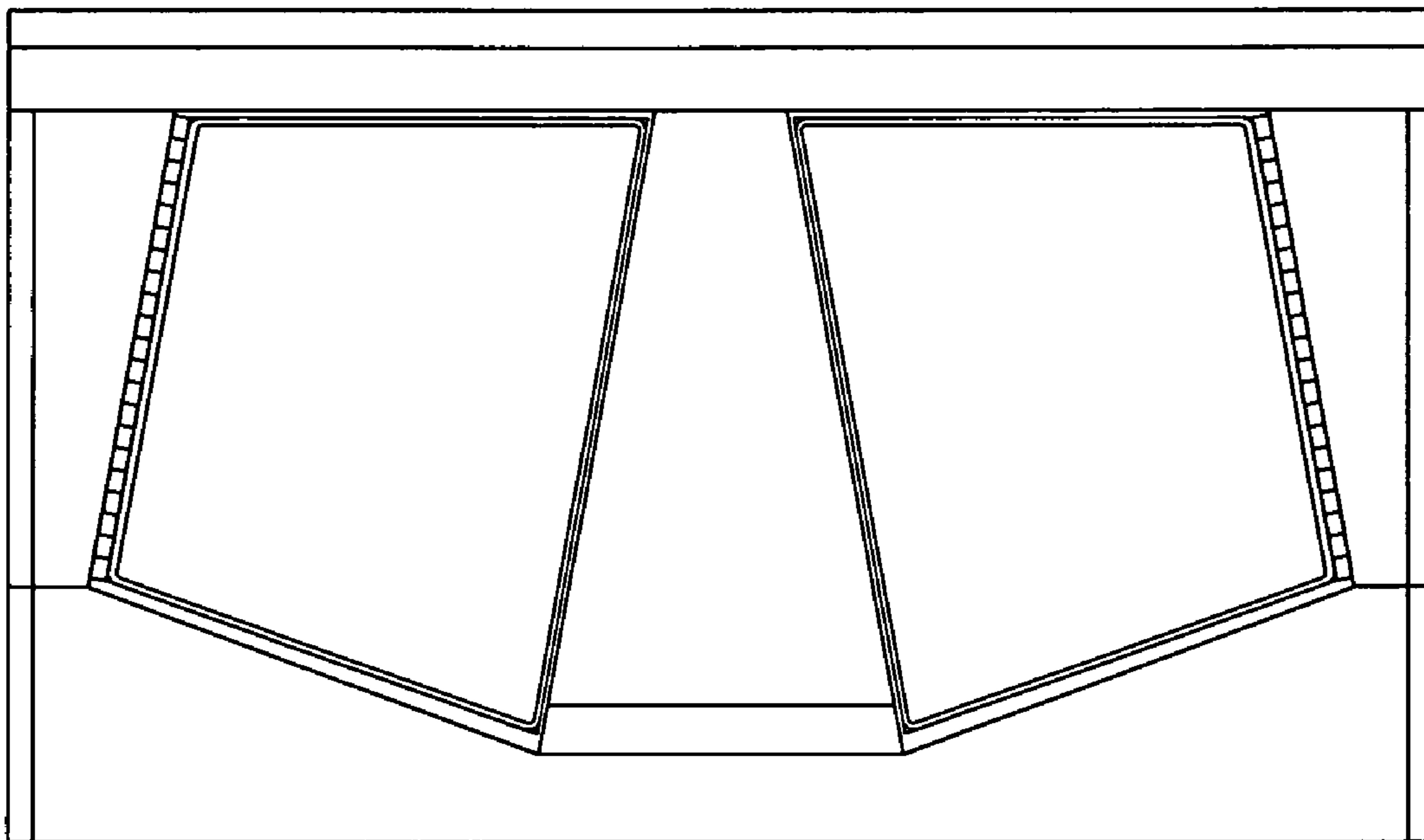


FIG.4

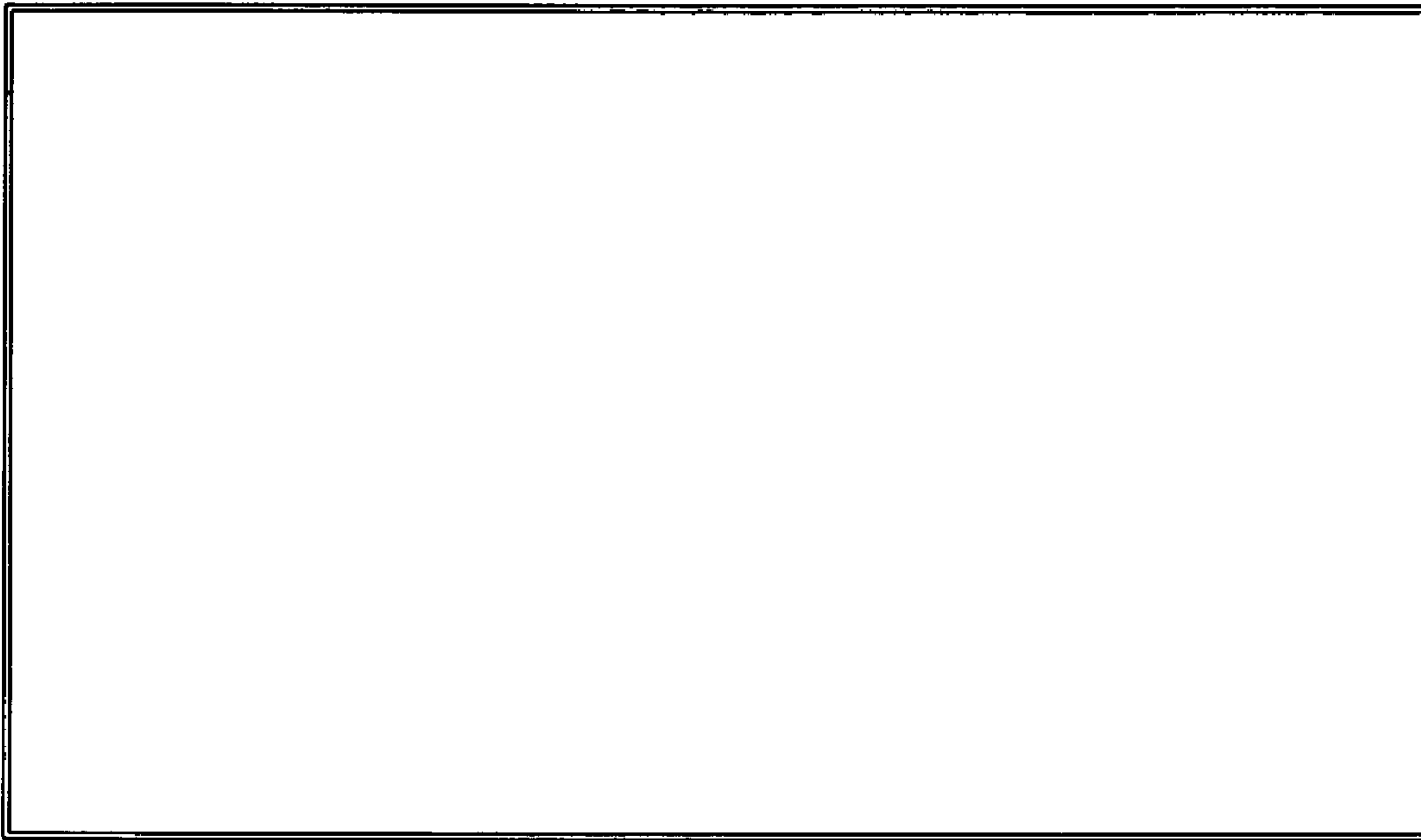


FIG. 5

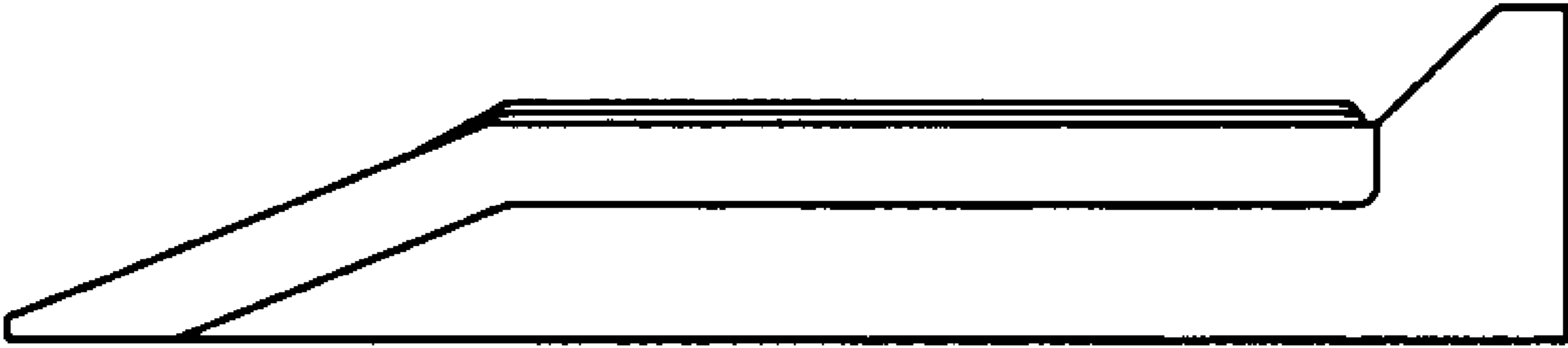


FIG.6

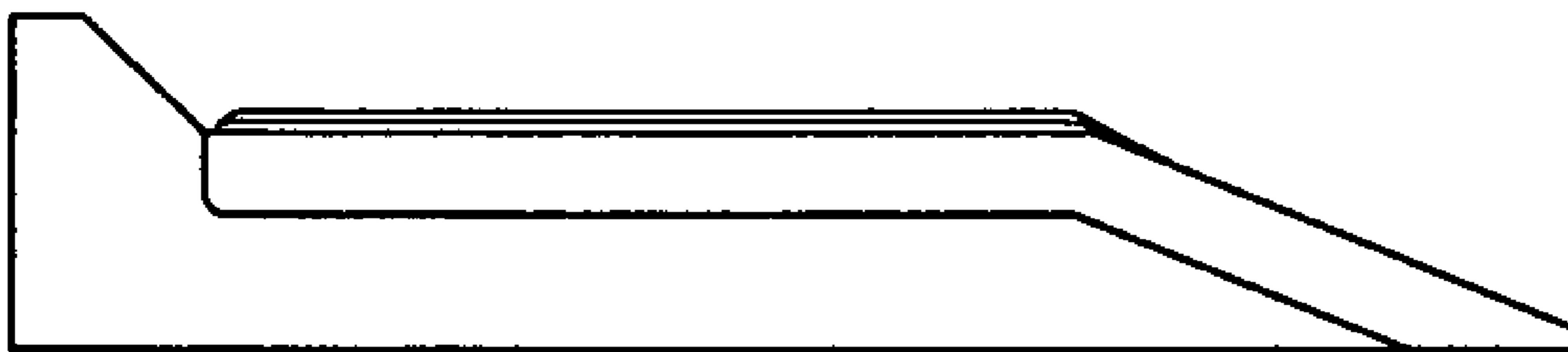


FIG.7

