



US00D585942S

(12) **United States Design Patent**
Chen et al.

(10) **Patent No.:** **US D585,942 S**

(45) **Date of Patent:** **** Feb. 3, 2009**

(54) **WALL FILE**

(75) Inventors: **Peter Chen**, West Windsor, NJ (US);
Jungkun Lee, Edison, NJ (US)

(73) Assignee: **Officemate International Corp.**,
Edison, NJ (US)

(**) Term: **14 Years**

(21) Appl. No.: **29/285,581**

(22) Filed: **Apr. 2, 2007**

(51) **LOC (9) Cl.** **19-02**

(52) **U.S. Cl.** **D19/90**

(58) **Field of Classification Search** D6/553,
D6/573, 626; D19/65, 75, 86, 90, 91, 92,
D19/99, 100; 206/214, 215, 424, 425, 472,
206/473, 474, 475; 211/1, 11, 10, 32, 40,
211/42, 55, 126.13

See application file for complete search history.

(56) **References Cited**

U.S. PATENT DOCUMENTS

D63,739 S *	1/1924	Schroeder	D6/571
1,657,049 A *	1/1928	Sicklen, Jr.	224/543
3,464,135 A *	9/1969	Eidinger	40/701
D257,752 S *	1/1981	Rabig	D6/510
D257,924 S *	1/1981	Rabig	D6/573
D276,228 S *	11/1984	Bartley et al.	D14/142
D296,965 S *	8/1988	Yeh	D6/573
D324,883 S *	3/1992	Demirjian	D19/90
D390,263 S *	2/1998	Jack	D19/52
D391,296 S *	2/1998	Hill, Sr.	D19/90

D494,797 S *	8/2004	Ramnauth et al.	D6/553
D504,469 S *	4/2005	Chen et al.	D19/90
D526,512 S *	8/2006	Hahn	D6/476
D542,582 S *	5/2007	Stafford et al.	D6/553
D573,653 S *	7/2008	Chen et al.	D19/90

* cited by examiner

Primary Examiner—Caron Veynar

Assistant Examiner—Karen E Eldridge Powers

(74) *Attorney, Agent, or Firm*—Daniel Kirshner

(57) **CLAIM**

The ornamental design for a wall file, as shown and described.

DESCRIPTION

FIG. 1 is a front perspective view of a wall file showing the new design wherein the moveable side pocket is shown on the right side;

FIG. 2 is a front elevational view thereof;

FIG. 3 is a rear elevational view thereof;

FIG. 4 is right side view thereof;

FIG. 5 is a left side view thereof;

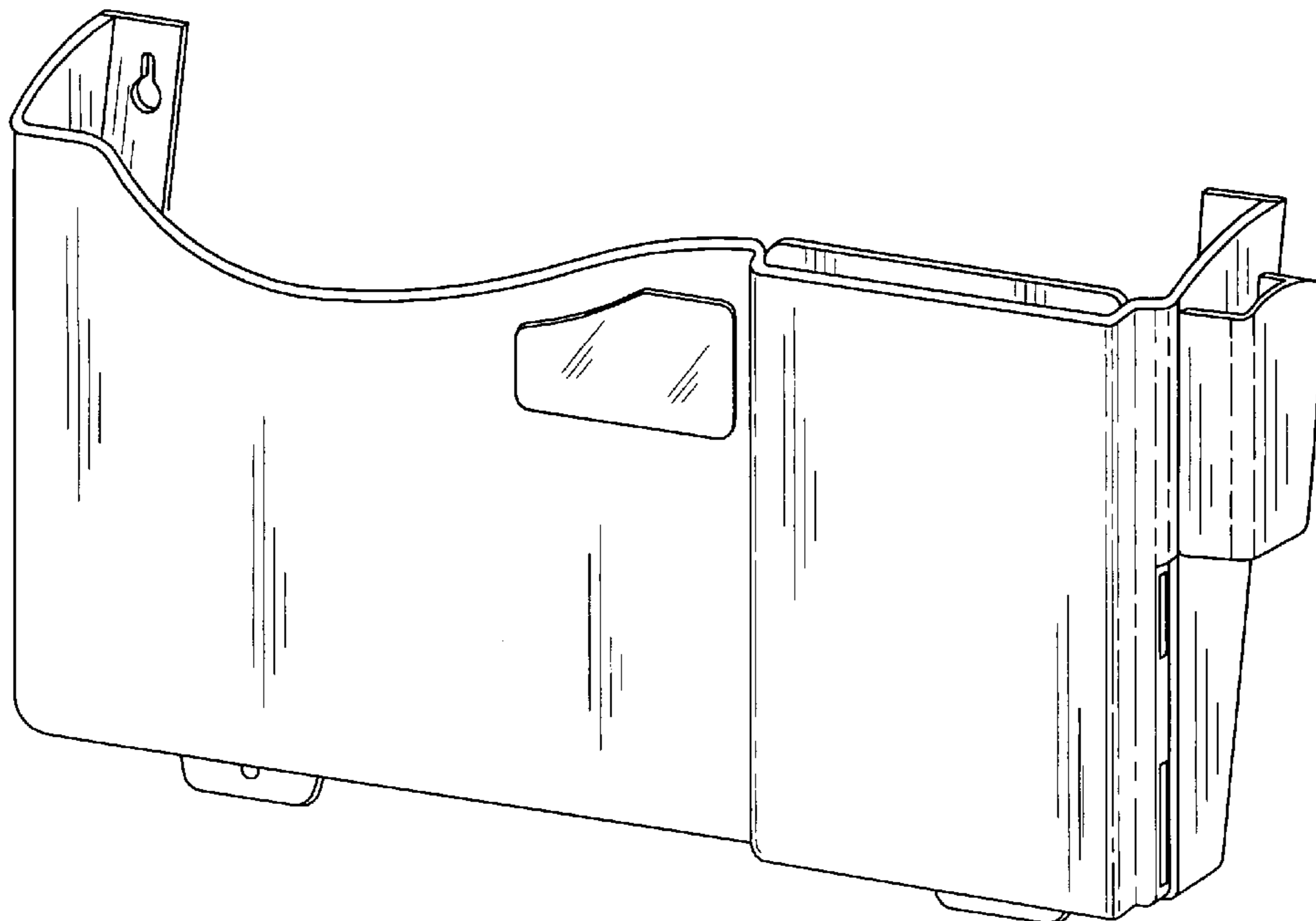
FIG. 6 is a top thereof;

FIG. 7 is a bottom view thereof;

FIG. 8 is a front perspective view thereof wherein the moveable side pocket is shown on the left side; and,

FIG. 9 is a front perspective view thereof, showing the claimed design while in use, where the broken lines therein depict environmental matter that forms no part of the claimed design.

1 Claim, 9 Drawing Sheets



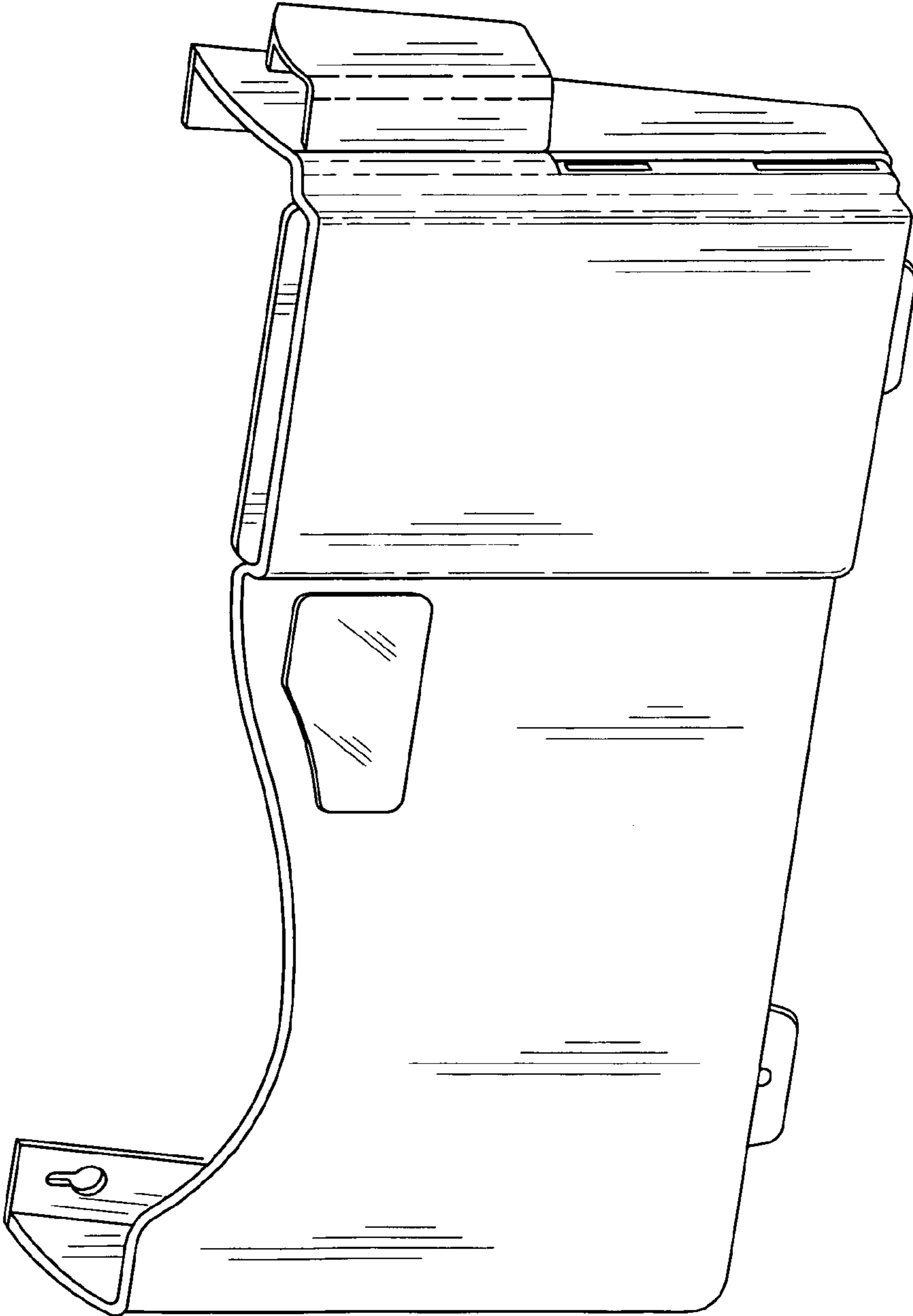


FIG. 1

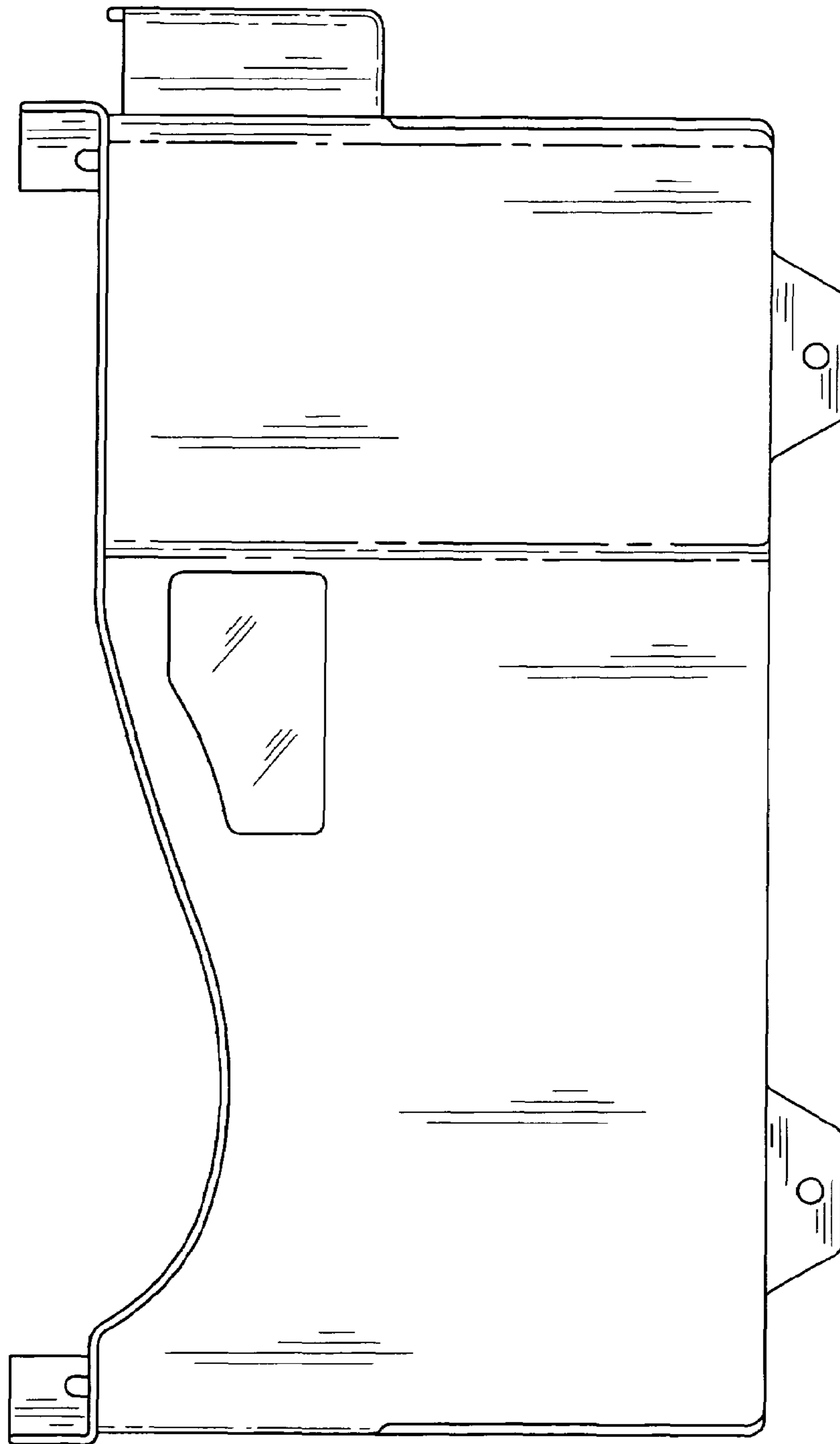


FIG. 2

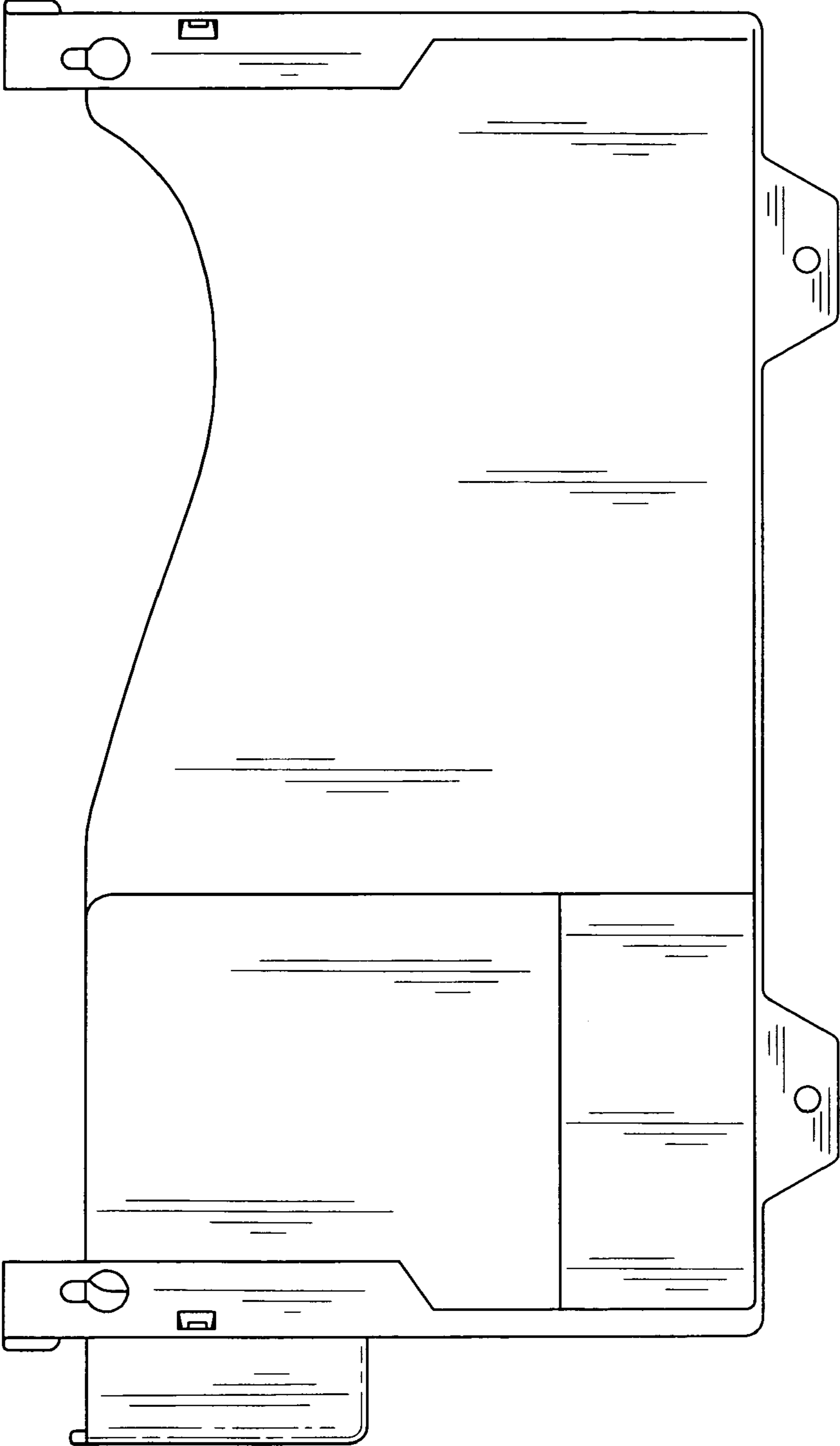


FIG. 3

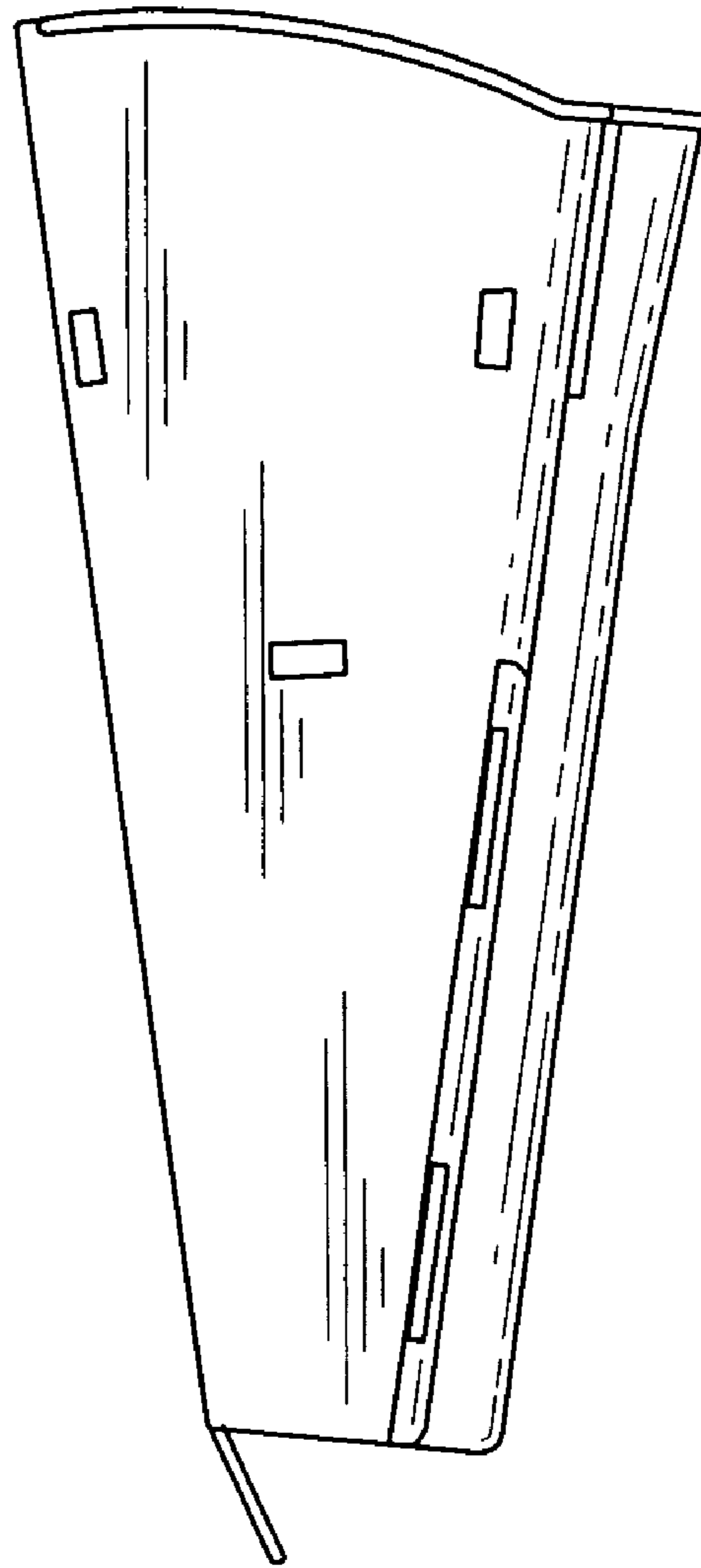


FIG. 4

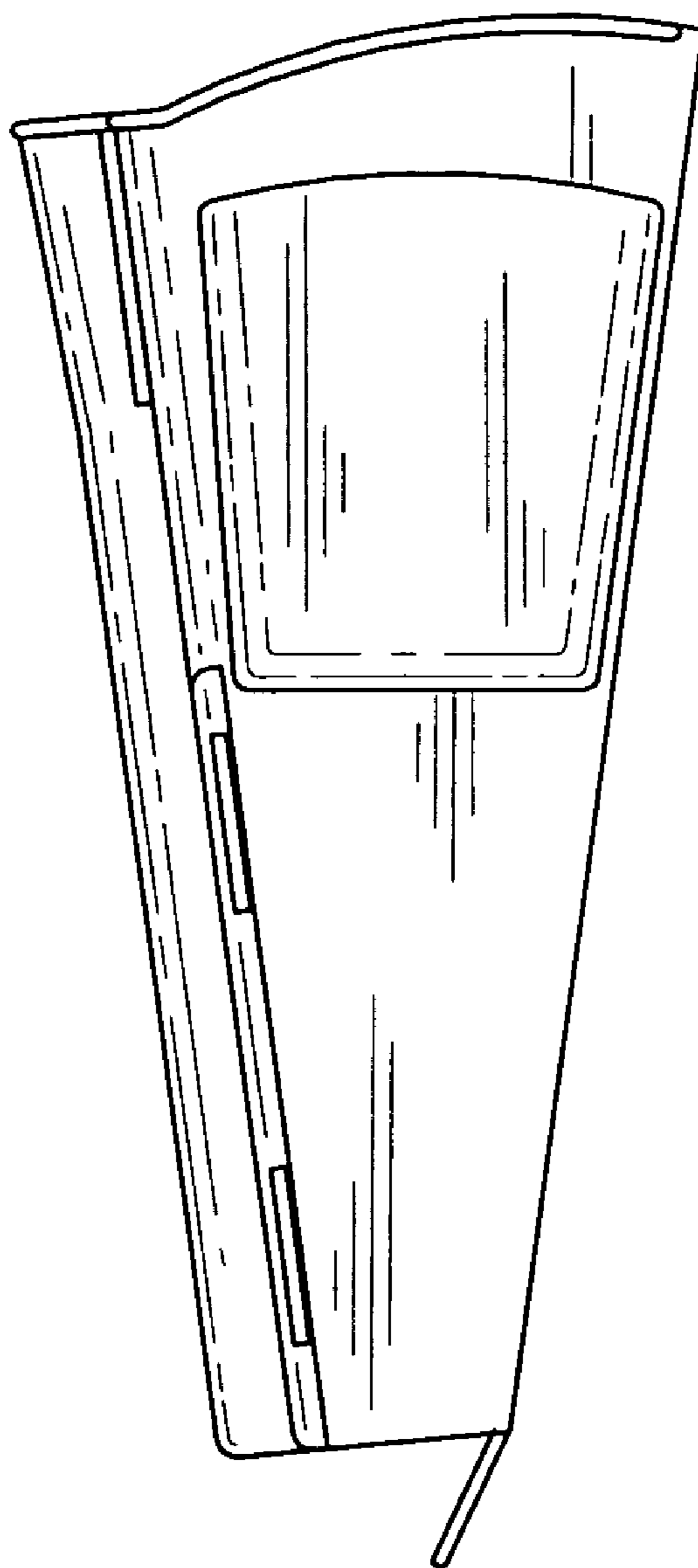


FIG. 5

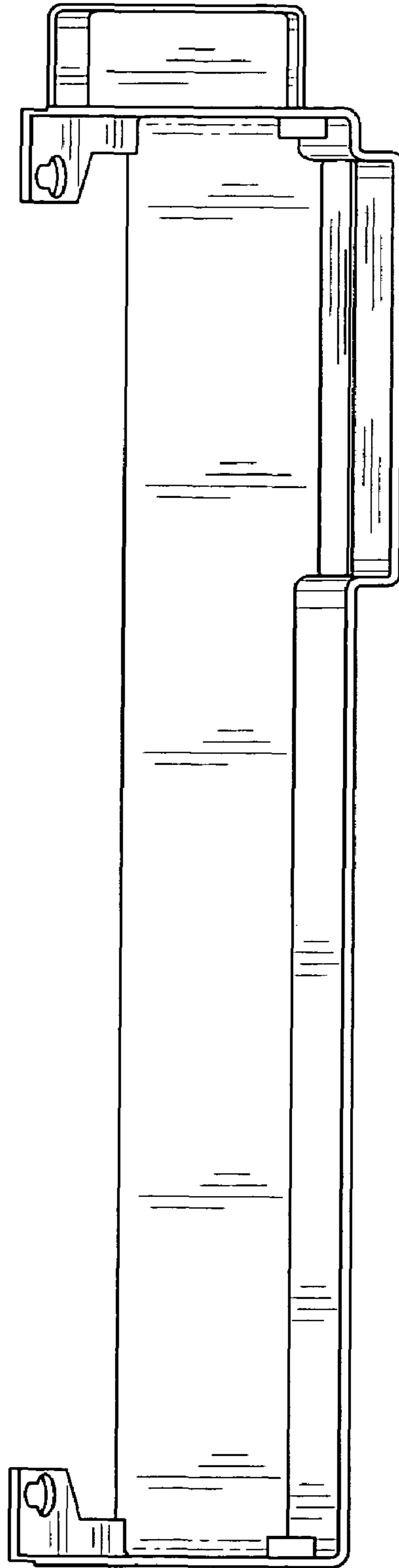


FIG. 6

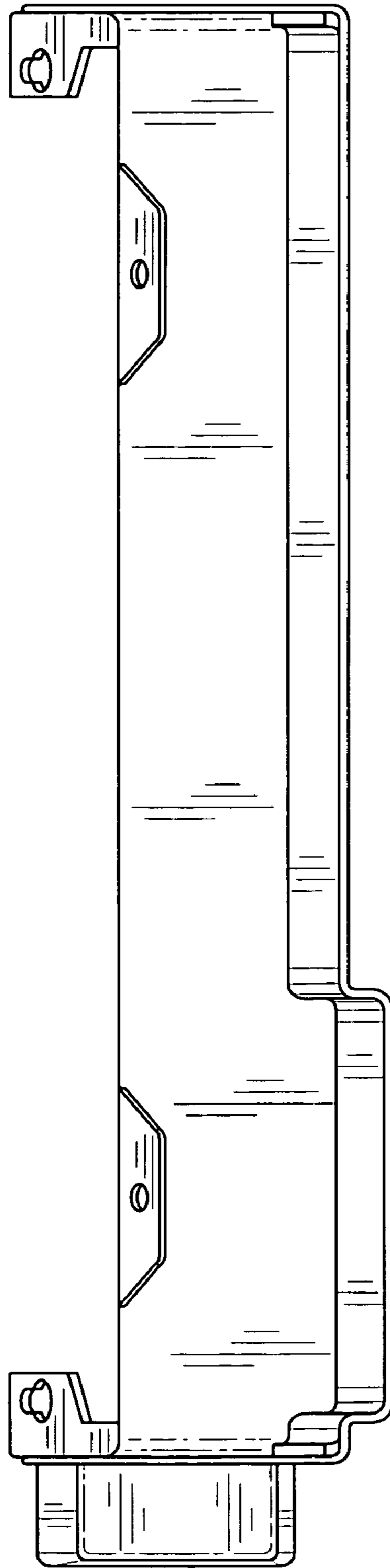


FIG. 7

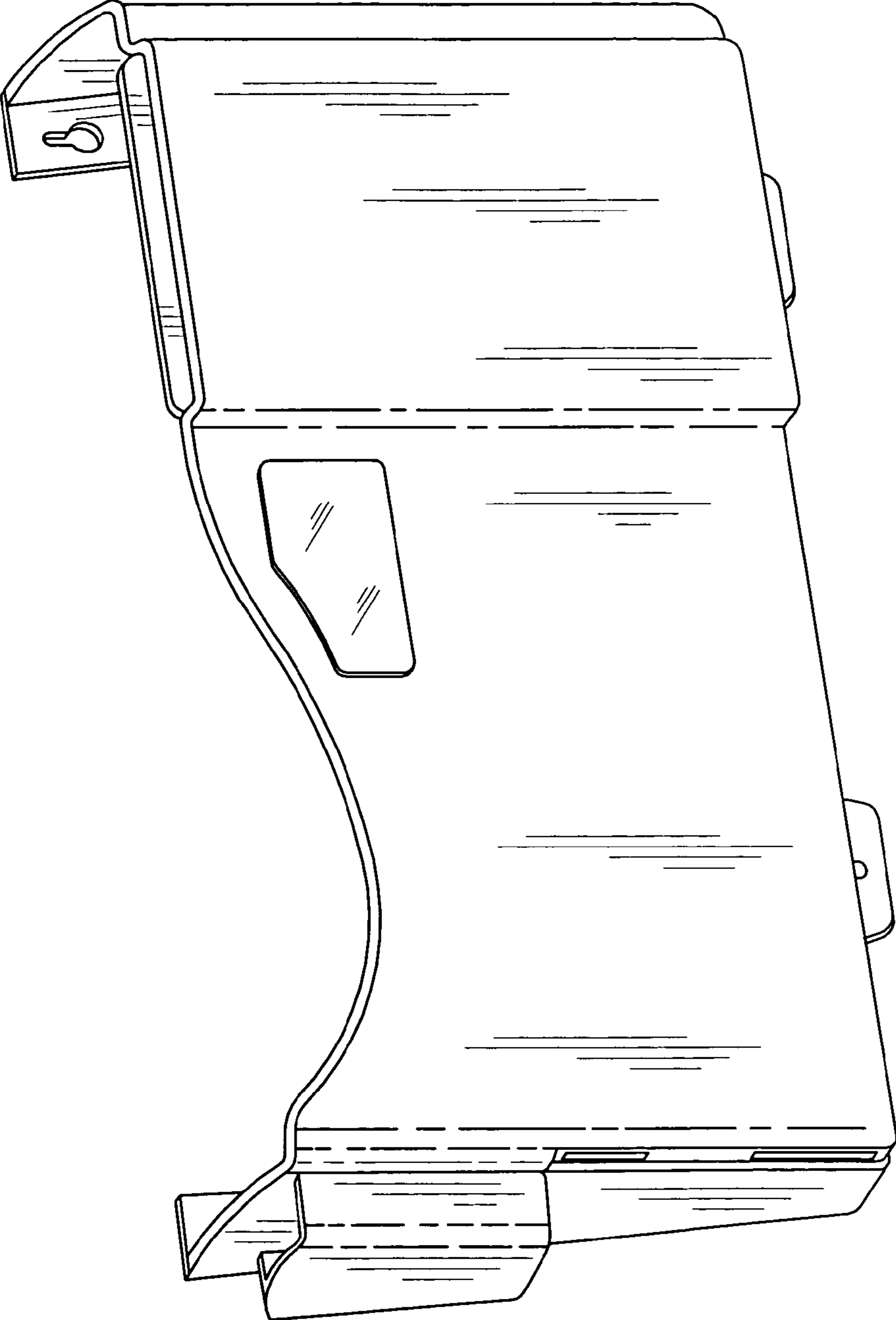


FIG. 8

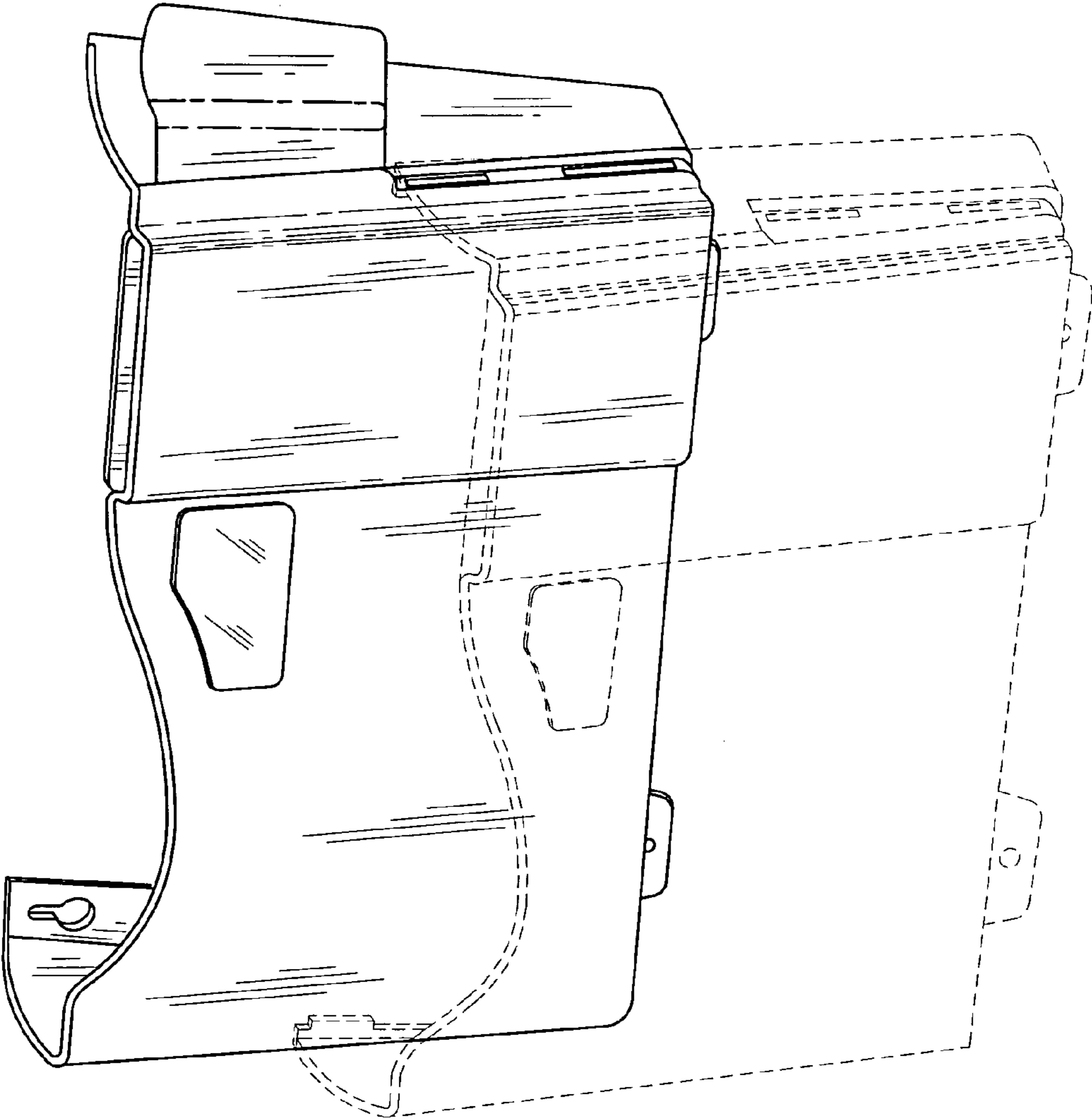


FIG. 9