



US00D585941S

(12) **United States Design Patent**  
**Yoshida**

(10) **Patent No.:** **US D585,941 S**

(45) **Date of Patent:** **\*\* Feb. 3, 2009**

(54) **DOCUMENT HOLDER**

(75) Inventor: **Tsukasa Yoshida**, Tokyo (JP)

(73) Assignee: **NS Planning Inc.**, Tokyo (JP)

(\*\*) Term: **14 Years**

(21) Appl. No.: **29/287,059**

(22) Filed: **Jun. 22, 2007**

(30) **Foreign Application Priority Data**

Jan. 19, 2007 (JP) ..... 2007-000978

(51) **LOC (9) Cl.** ..... **19-02**

(52) **U.S. Cl.** ..... **D19/86**

(58) **Field of Classification Search** ..... D19/75,  
D19/86, 91, 92, 90, 95, 99, 100; 24/67 R,  
24/67.3; 40/343, 345, 341, 358, 642.02,  
40/648, 649; 248/220.21, 223.41, 229.16,  
248/229.26, 230.7, 231.81, 441.1, 442.2,  
248/445.24; 281/45

See application file for complete search history.

(56) **References Cited**

**U.S. PATENT DOCUMENTS**

2,007,089 A \* 7/1935 Jones ..... 206/773  
D202,951 S \* 11/1965 Revzin ..... D19/92  
D208,679 S \* 9/1967 Livingston et al. .... D19/86  
3,947,138 A \* 3/1976 Eshelman ..... 402/69  
5,499,793 A \* 3/1996 Salansky ..... 248/442.2

6,450,855 B1 \* 9/2002 Tang ..... 446/330  
D513,039 S \* 12/2005 Yoshida ..... D19/90  
D514,622 S \* 2/2006 Yoshida ..... D19/90  
D532,452 S \* 11/2006 Heng et al. .... D19/7  
D546,889 S \* 7/2007 Bhavnani ..... D19/91  
D575,150 S \* 8/2008 Hageman ..... D9/432

\* cited by examiner

*Primary Examiner*—Elizabeth A Albert

*Assistant Examiner*—Karen E Eldridge Powers

(74) *Attorney, Agent, or Firm*—Sughrue Mion, PLLC

(57) **CLAIM**

The ornamental design for a document holder, as shown and described.

**DESCRIPTION**

FIG. 1 is a perspective view of the top, front and left side of a document holder showing my new design;

FIG. 2 is a front view thereof;

FIG. 3 is a rear view thereof;

FIG. 4 is a top plan view thereof;

FIG. 5 is a bottom plan view thereof;

FIG. 6 is a right side view thereof;

FIG. 7 is a longitudinal cross sectional view thereof; and,

FIG. 8 is a perspective view showing the equipment in use.

The broken lines showing a piece of paper in FIG. 8 illustrate environmental matter, and form no part of the claimed design.

**1 Claim, 5 Drawing Sheets**

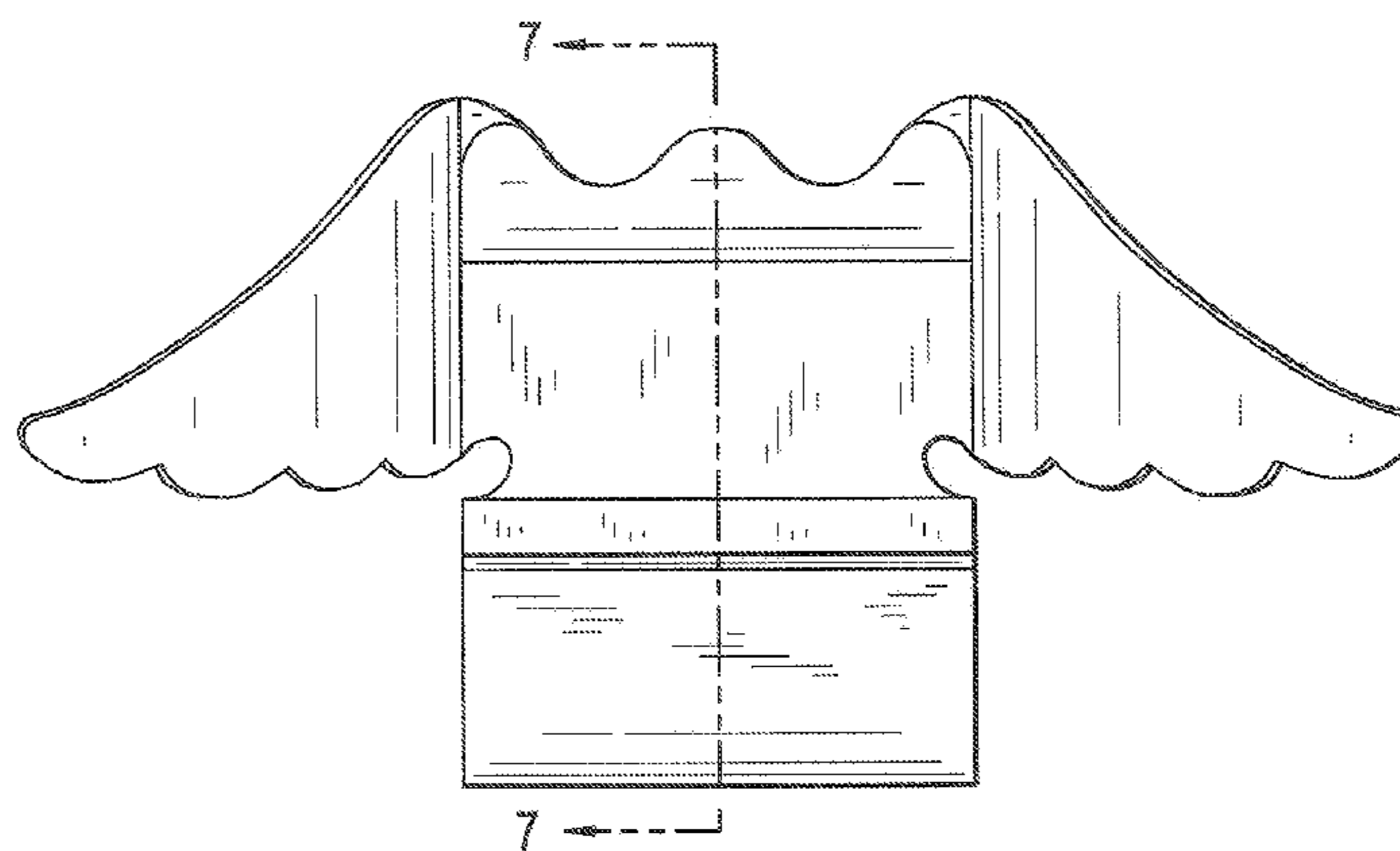
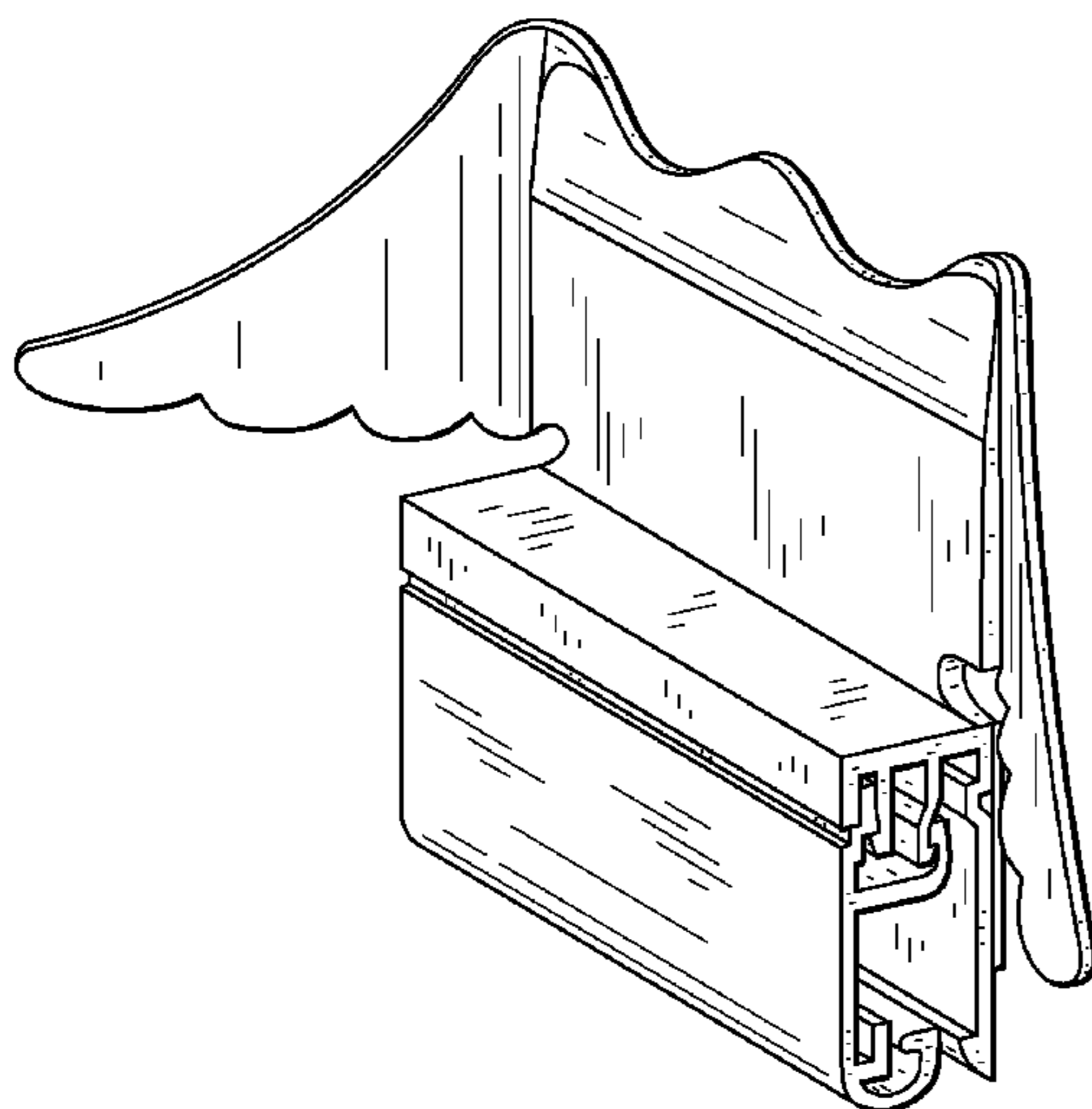


FIG. 1

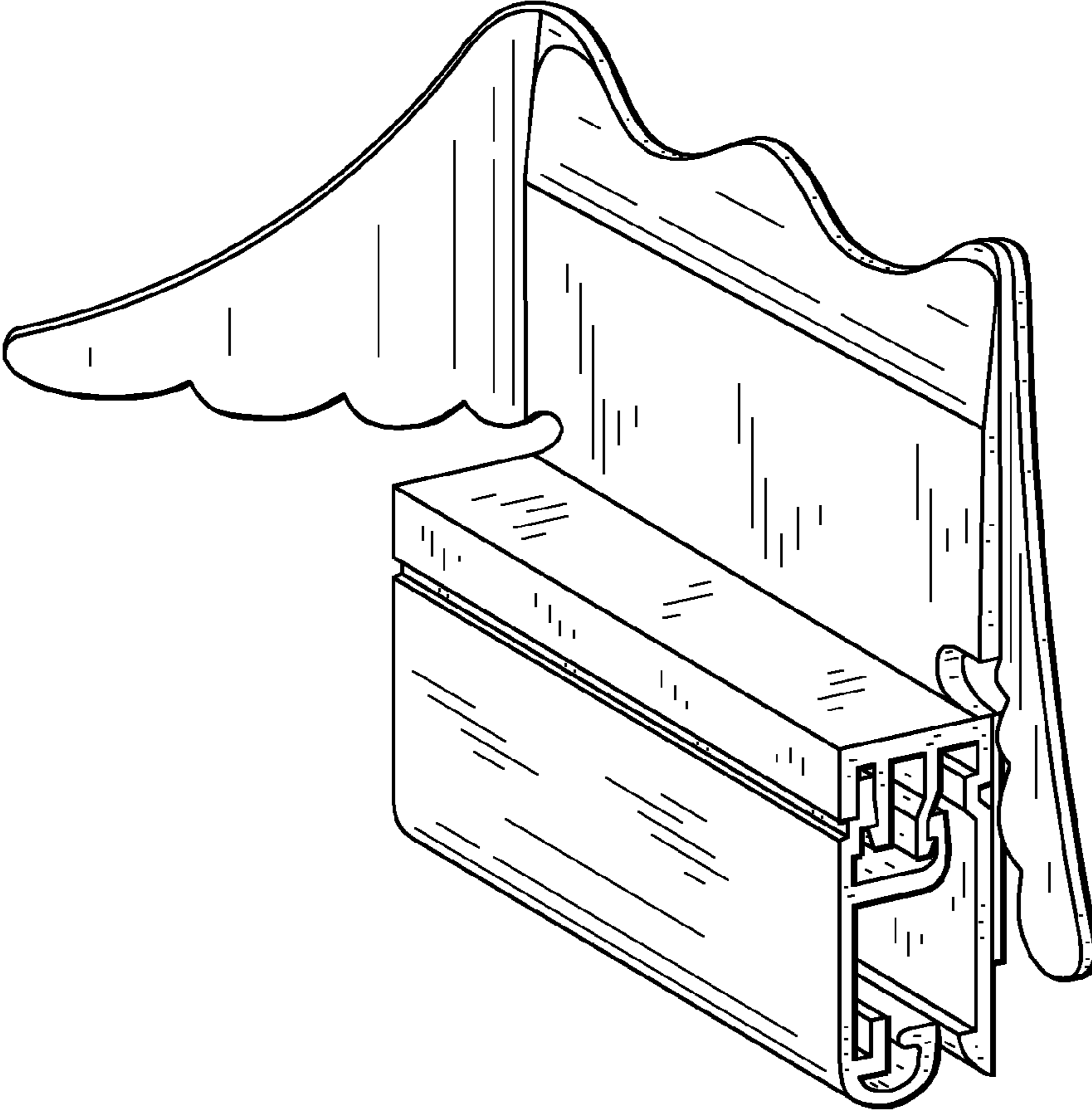


FIG. 2

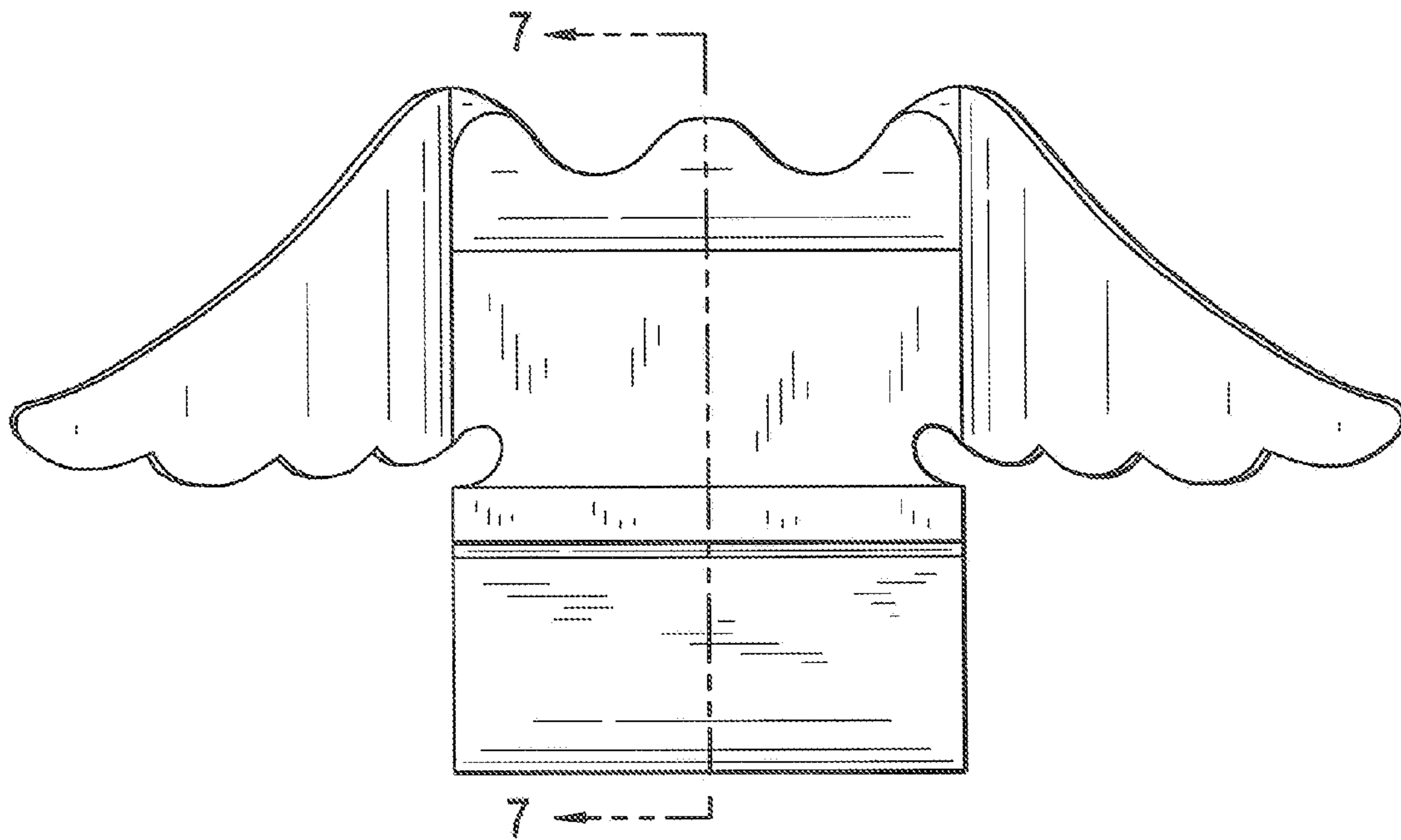


FIG. 3

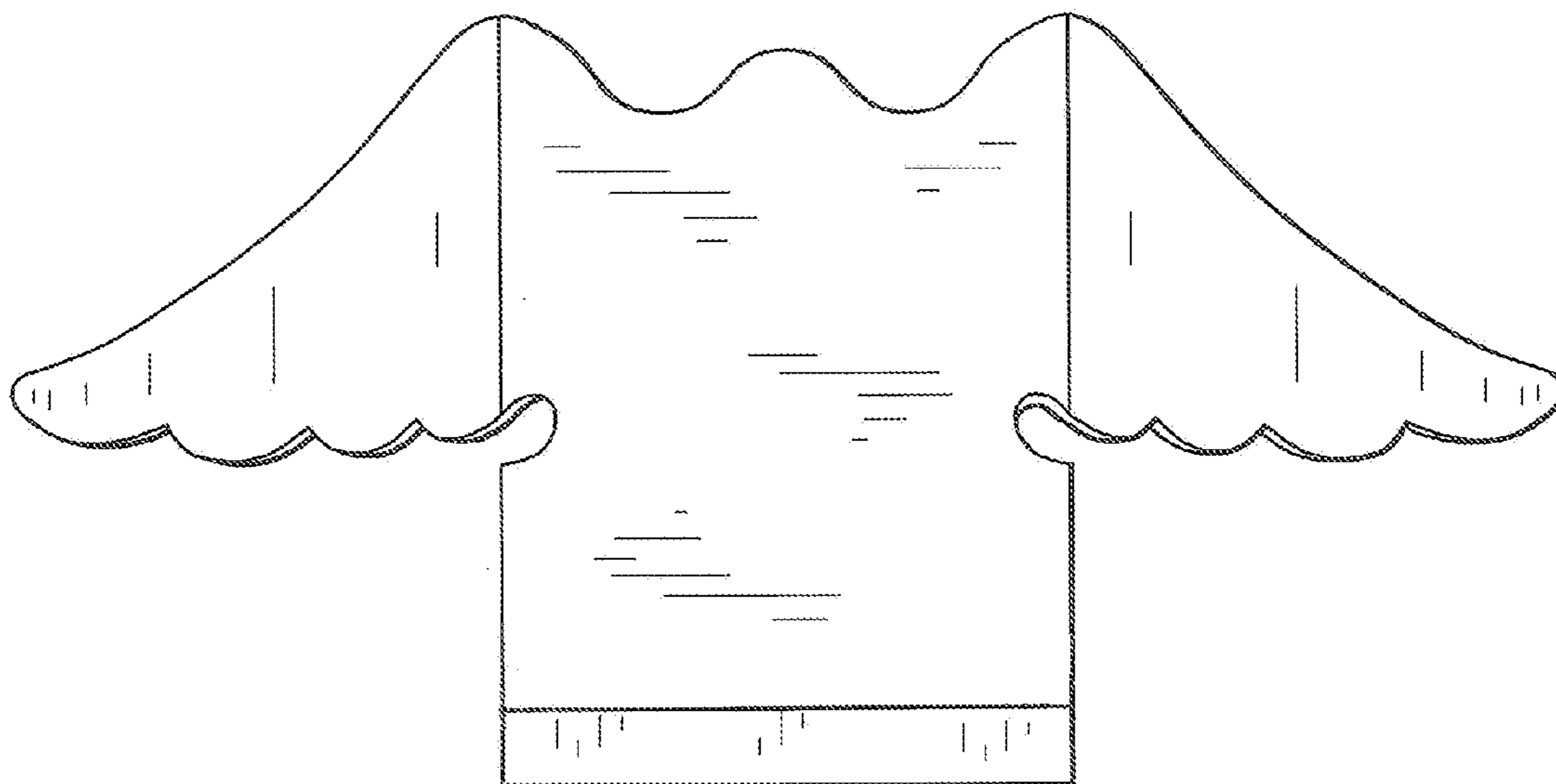


FIG. 4

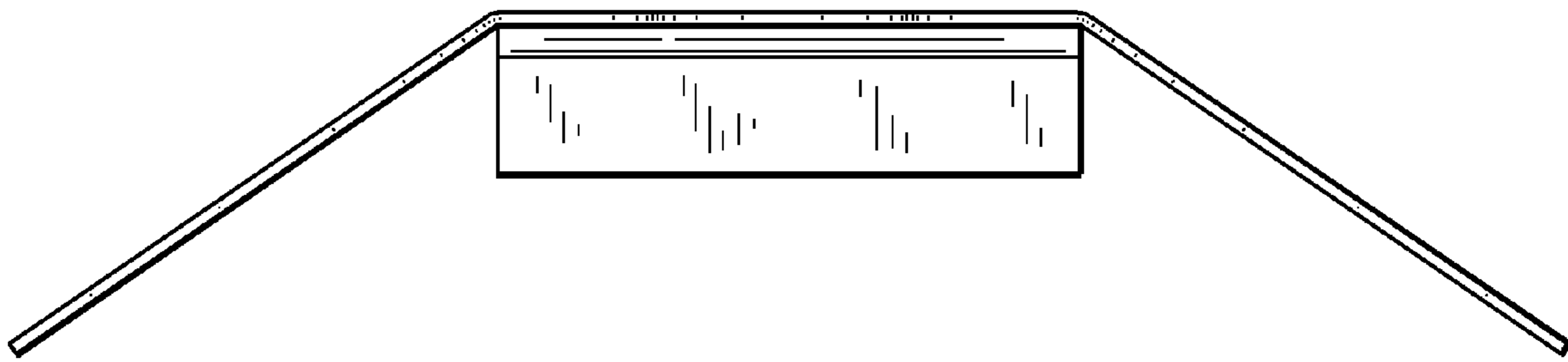


FIG. 5

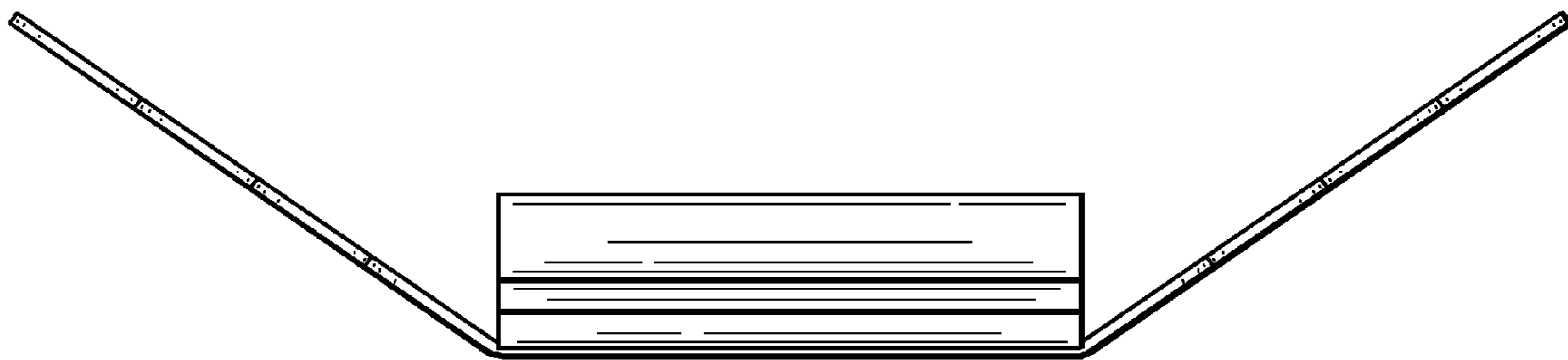


FIG. 6

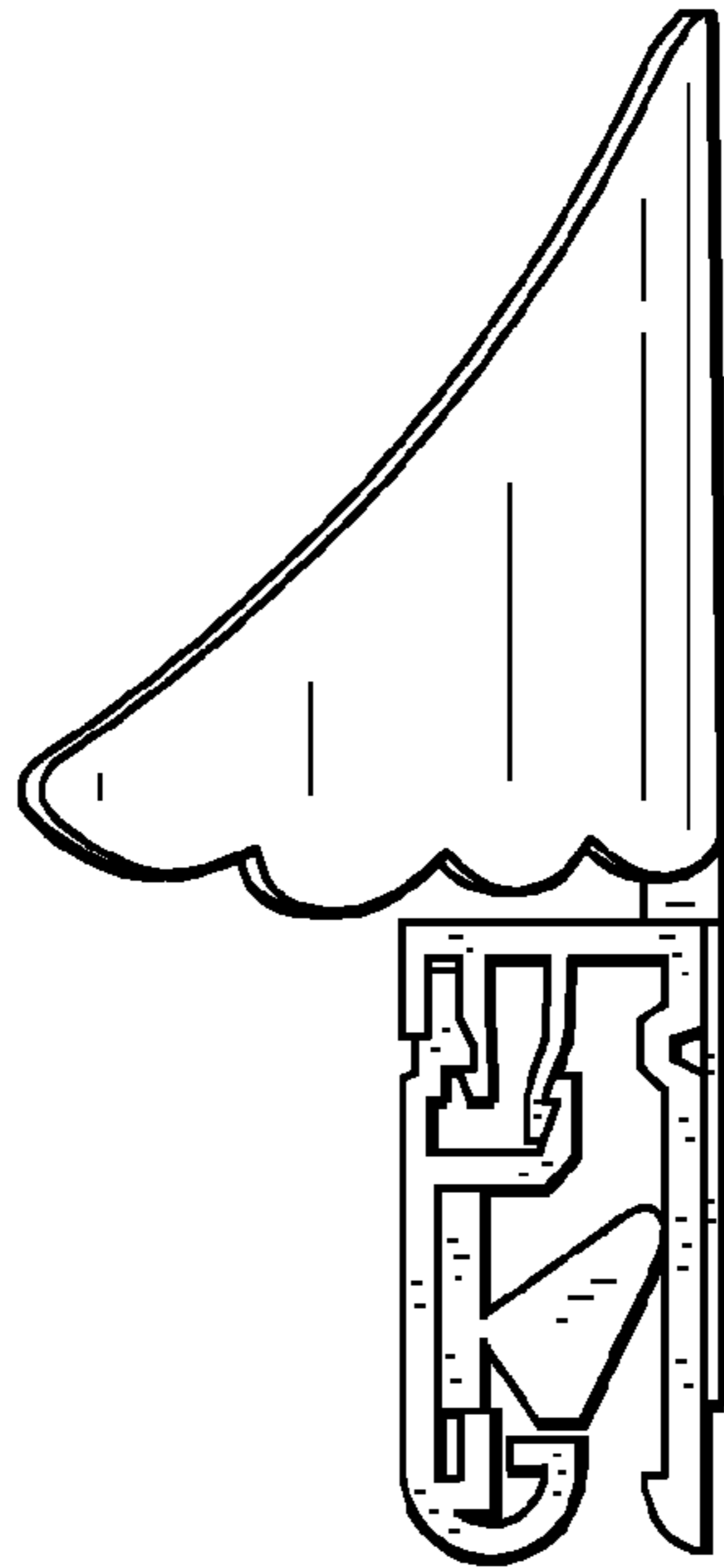


FIG. 7

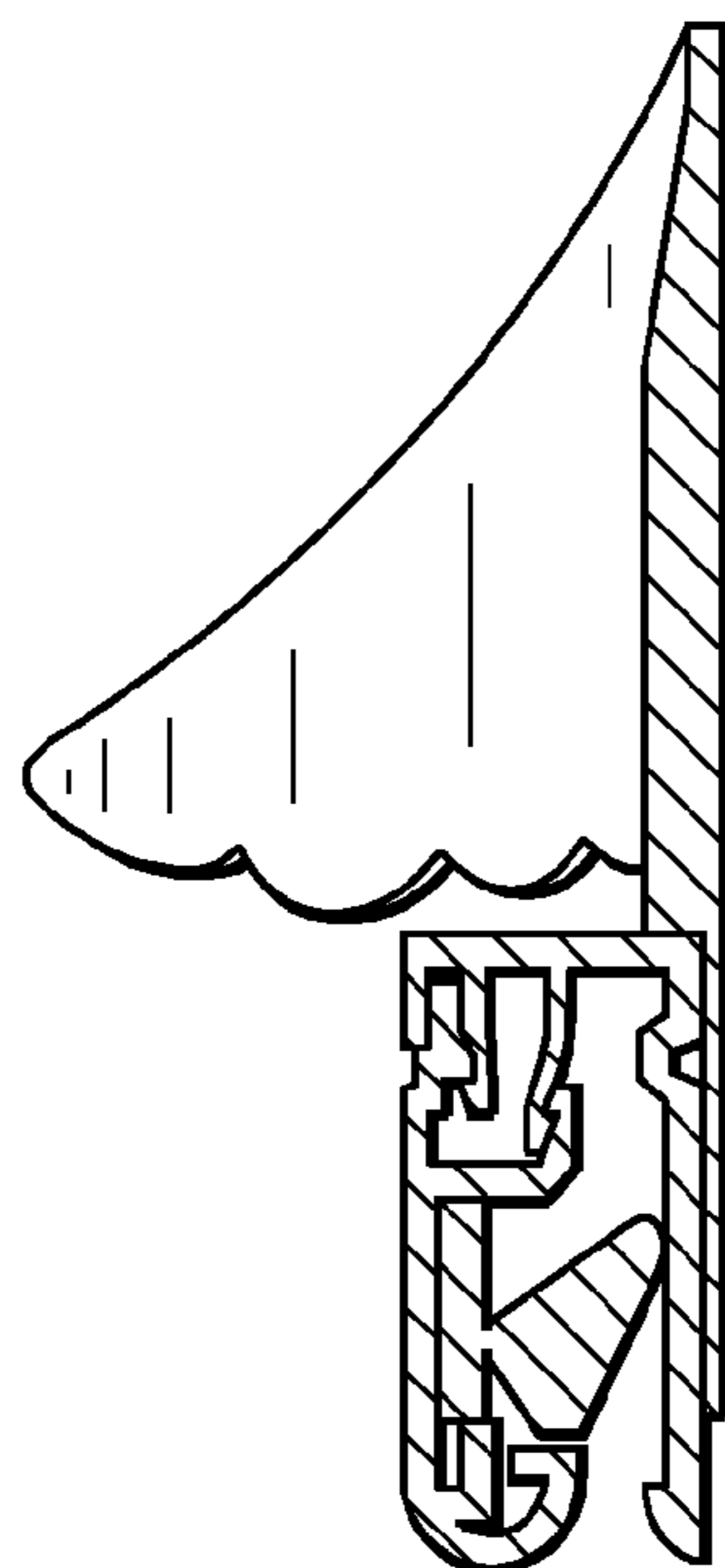


FIG. 8

