



US00D585936S

(12) **United States Design Patent**
Nakazawa

(10) **Patent No.:** **US D585,936 S**

(45) **Date of Patent:** **** Feb. 3, 2009**

(54) **BALLPOINT PEN**

2006/0228156 A1* 10/2006 Chan 401/107

(75) Inventor: **Hidekazu Nakazawa**, Tokyo (JP)

FOREIGN PATENT DOCUMENTS

(73) Assignee: **Pentel Kabushiki Kaisha** (JP)

WO DM/066576 * 4/2005

(**) Term: **14 Years**

* cited by examiner

(21) Appl. No.: **29/269,429**

Primary Examiner—Elizabeth A Albert

Assistant Examiner—Karen E Eldridge Powers

(22) Filed: **Nov. 30, 2006**

(74) *Attorney, Agent, or Firm*—Adams & Wilks

(30) **Foreign Application Priority Data**

(57) **CLAIM**

Jun. 7, 2006 (JP) 2006-014618

The ornamental design for a ballpoint pen, as shown and described.

(51) **LOC (9) Cl.** **19-06**

(52) **U.S. Cl.** **D19/41**

(58) **Field of Classification Search** D19/35,
D19/36, 41, 42, 43, 44, 45, 46, 47, 48, 49,
D19/50, 51, 54, 55, 56, 57; D27/146; 24/11 R,
24/11 F, 11 P; 40/334; 401/6, 52, 99, 100,
401/104, 105, 106, 107, 108, 109, 192, 195,
401/243, 244, 245, 246, 247; 362/118

DESCRIPTION

See application file for complete search history.

FIG. 1 is a perspective view of a ballpoint pen showing my new design;

FIG. 2 is a front view thereof;

FIG. 3 is a bottom view thereof;

FIG. 4 is an enlarged left side view thereof;

FIG. 5 is an enlarged right side view thereof;

FIG. 6 is a rear view thereof;

FIG. 7 is a further bottom view of the ballpoint pen, with the shaft extended and the pivotal lever in a closed position;

FIG. 8 is a further bottom view of the ballpoint pen, with the shaft unextended and the pivotal lever in an open position;

FIG. 9 is a further bottom view of the ballpoint pen, with the shaft extended and the pivotal lever in an open position; and,

FIG. 10 is a further perspective view of the ballpoint pen, with the pivotal lever in the open position, while in use.

The unshown top views are mirror images of FIGS. 3, 7, 8 and 9.

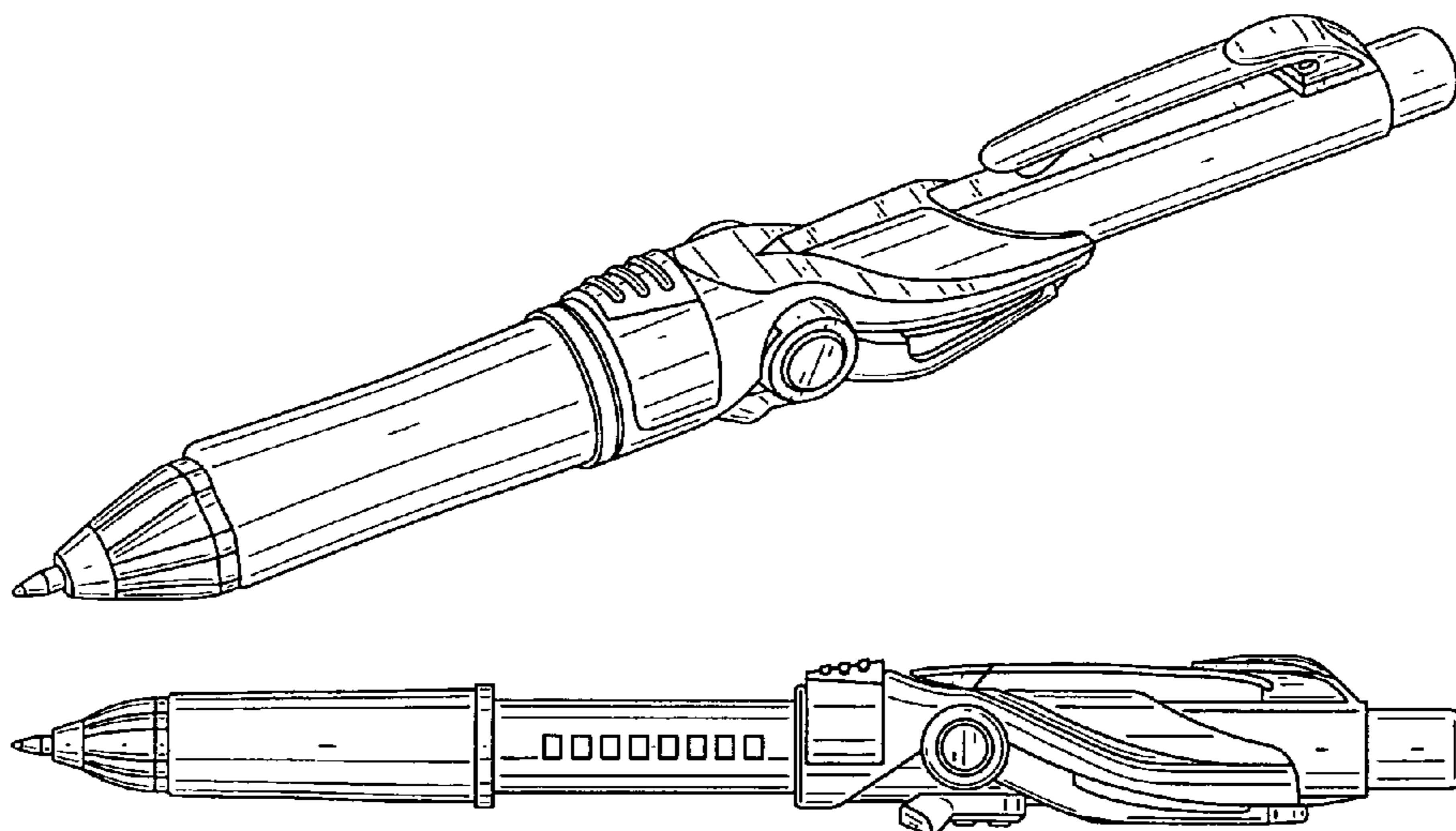
The broken lines showing a person's hand in FIG. 10 illustrate environmental matter and form no part of the claimed design.

(56) **References Cited**

U.S. PATENT DOCUMENTS

D176,469 S *	12/1955	Lovejoy	D19/56
D312,837 S *	12/1990	Oka	D19/51
D392,999 S *	3/1998	Varholik	D19/36
D458,964 S *	6/2002	Nakazawa	D19/48
6,464,419 B1 *	10/2002	Chan	401/131
D466,156 S *	11/2002	Nakazawa	D19/51
D497,643 S *	10/2004	Nishida	D19/51
6,921,225 B1 *	7/2005	Hsu	401/117
D509,538 S *	9/2005	Yeh	D19/46
D525,299 S *	7/2006	Kowalski et al.	D19/36
D534,212 S *	12/2006	Chan	D19/46
D539,343 S *	3/2007	Qiu	D19/36
D559,909 S *	1/2008	Qiu et al.	D19/50
D562,398 S *	2/2008	Qiu et al.	D19/51
D565,103 S *	3/2008	Richter et al.	D19/50

1 Claim, 3 Drawing Sheets



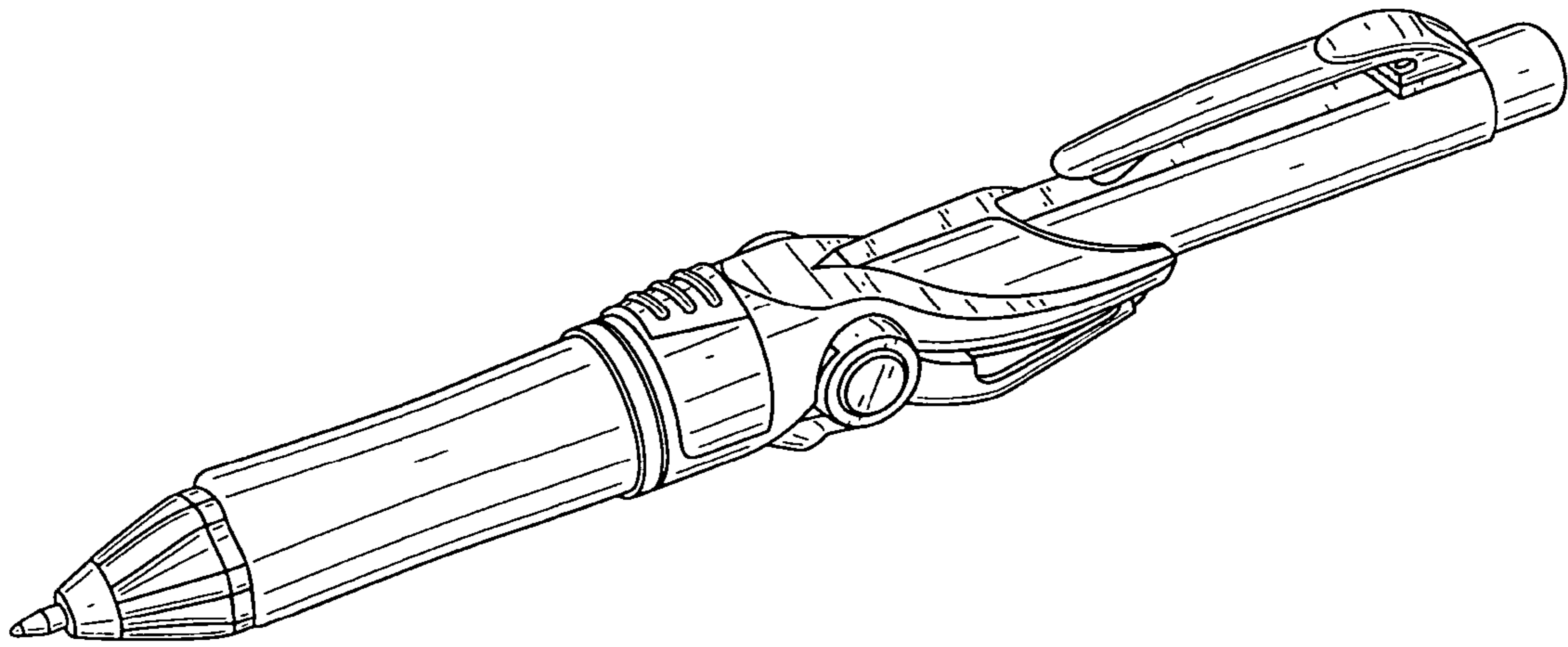


FIG. 1

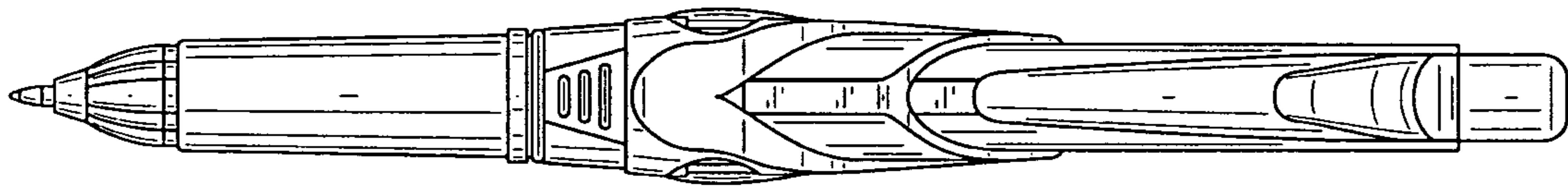


FIG. 2

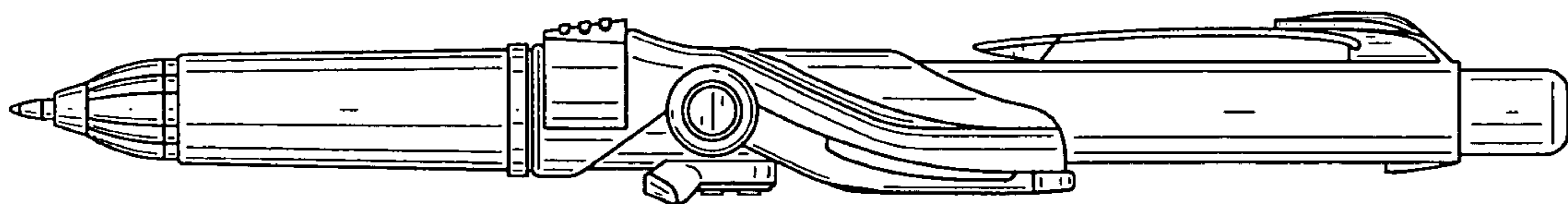


FIG. 3

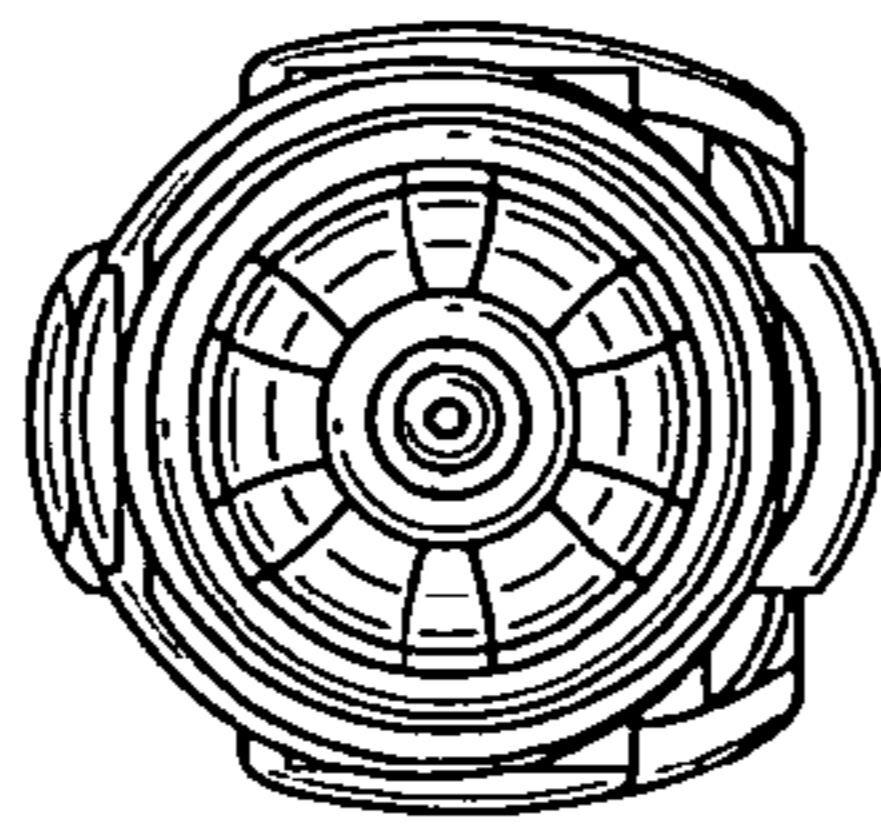


FIG. 4

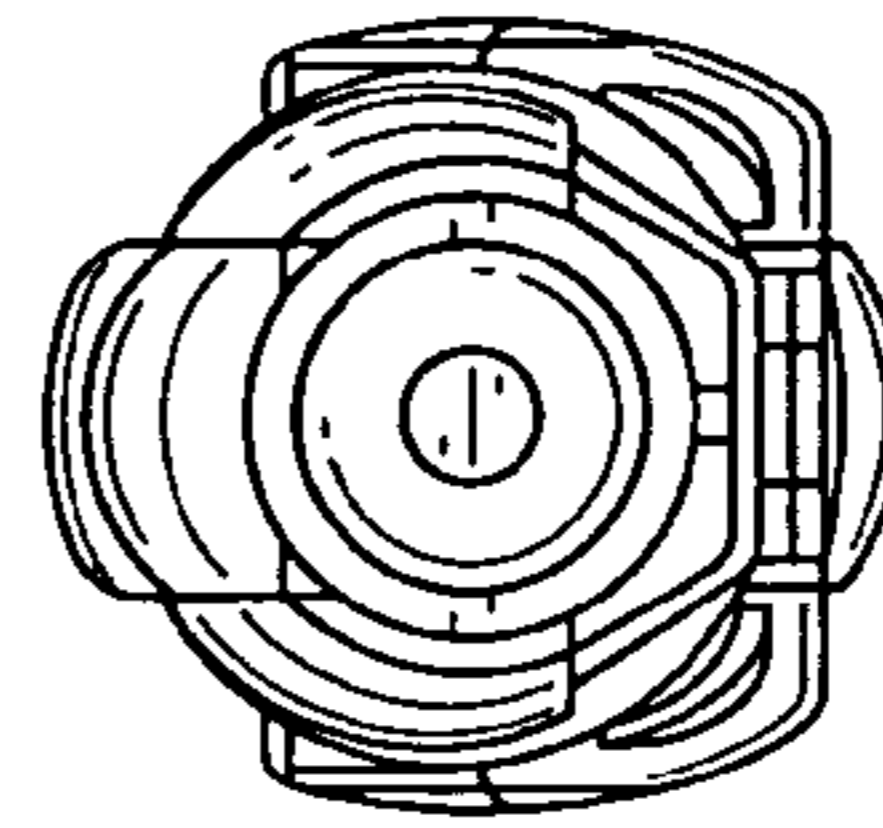


FIG. 5

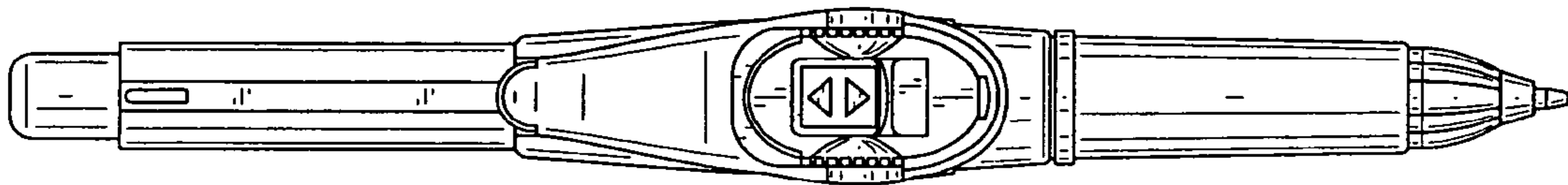


FIG. 6

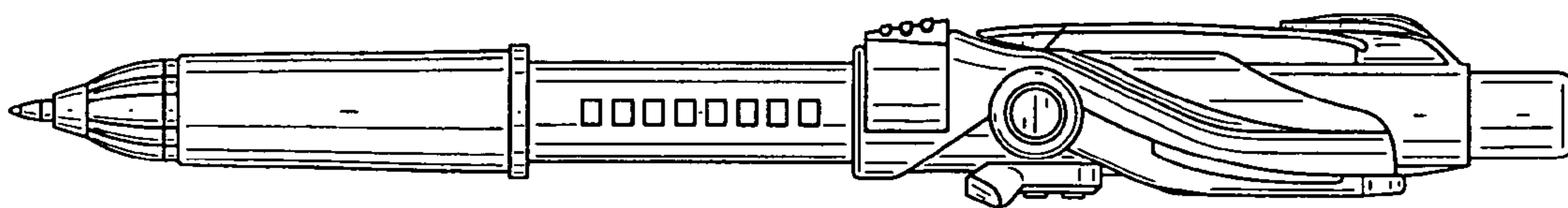


FIG. 7

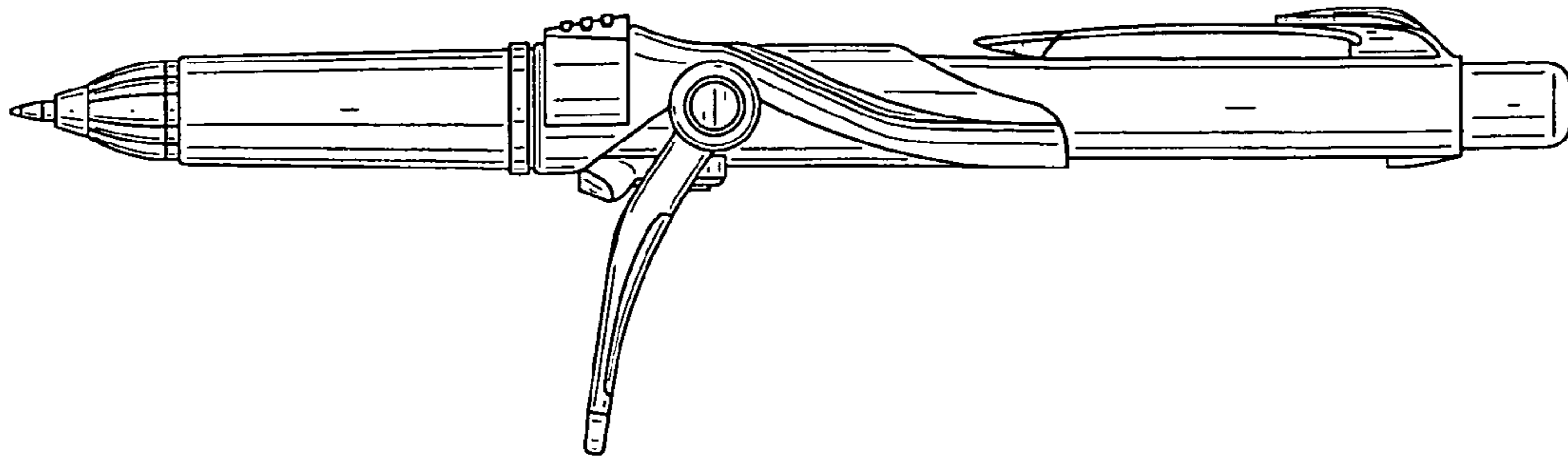


FIG. 8

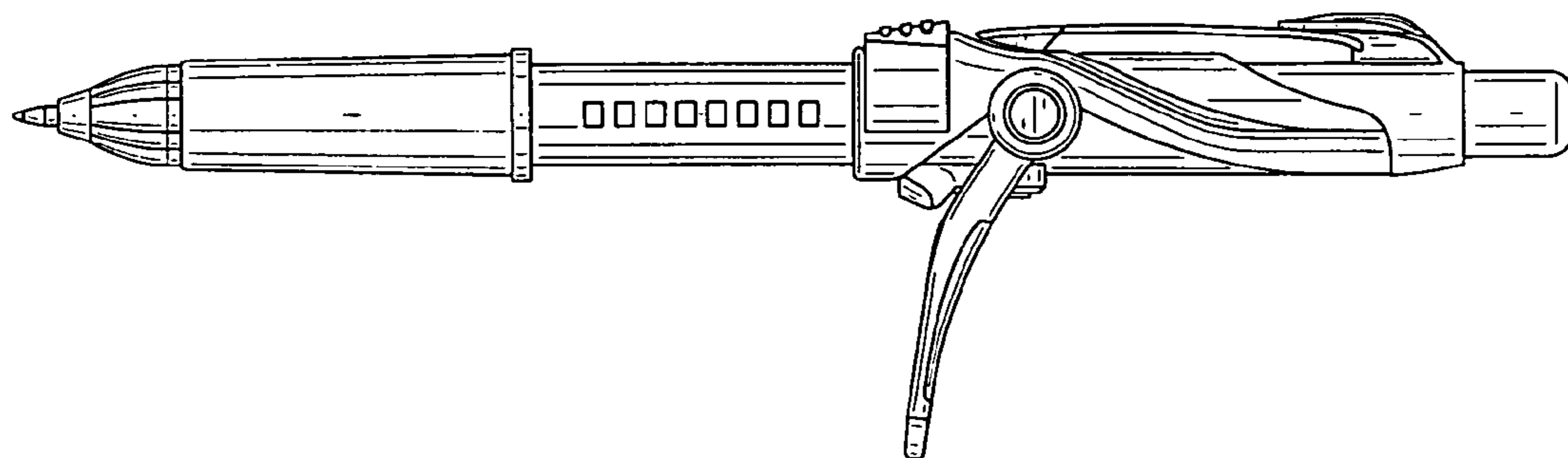


FIG. 9

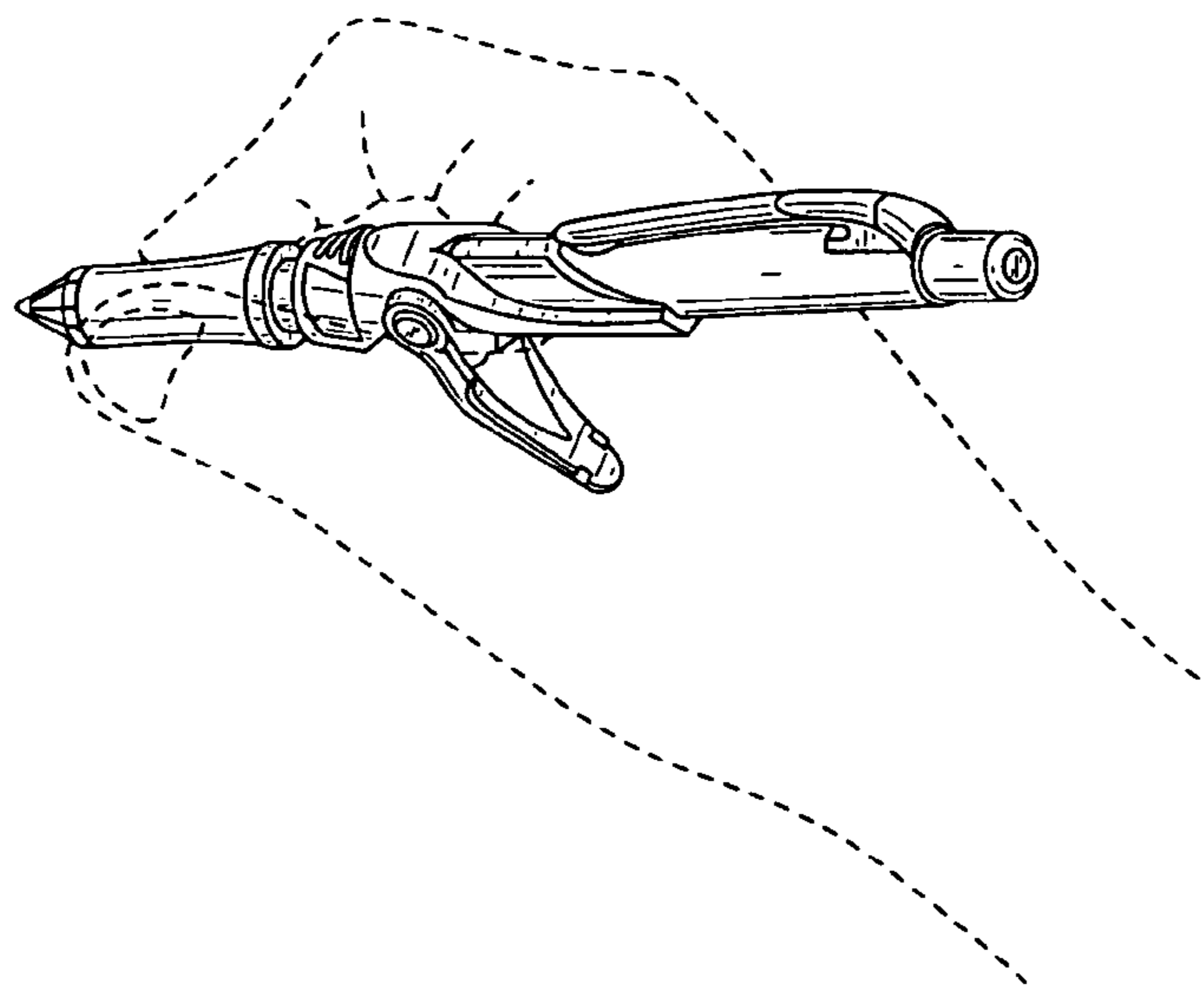


FIG. 10