

US00D585935S

(12) **United States Design Patent**
To

(10) **Patent No.:** **US D585,935 S**

(45) **Date of Patent:** **** Feb. 3, 2009**

(54) **RECTILINEAR BINDER RING**

(75) Inventor: **Chun Yuen To**, Hong Kong (CN)

(73) Assignee: **World Wide Stationery Mfg. Co., Ltd.**,
Kwai Chung, New Territory (HK)

(**) Term: **14 Years**

(21) Appl. No.: **29/275,751**

(22) Filed: **Jan. 5, 2007**

(51) **LOC (9) Cl.** **19-04**

(52) **U.S. Cl.** **D19/32**

(58) **Field of Classification Search** D19/32,
D19/26-30, 49, 100; 402/26, 31, 36, 38,
402/39, 41; 281/45-51, 3.1, 15.1, 21.1, 22
See application file for complete search history.

(56) **References Cited**

U.S. PATENT DOCUMENTS

1,473,354	A *	11/1923	Nachtrieb	402/20
2,371,474	A *	3/1945	Seelman	402/70
3,827,111	A *	8/1974	O'Connell	402/36
4,552,478	A	11/1985	Cohen		
4,792,253	A *	12/1988	Jacobson	402/20
5,106,222	A	4/1992	D'Amore		
5,332,327	A	7/1994	Gillum		
D356,112	S	3/1995	Constantine		
D382,593	S	8/1997	To		
5,718,529	A *	2/1998	Chan	402/36
D392,997	S *	3/1998	Chan	D19/32
5,975,785	A *	11/1999	Chan	402/36
6,045,286	A	4/2000	Tung		
6,217,247	B1 *	4/2001	Ng	402/36
6,749,357	B2 *	6/2004	Cheng	402/19
6,758,621	B2	7/2004	To		
7,241,067	B2 *	7/2007	Cheng	402/38

7,296,946	B2 *	11/2007	Cheng et al.	402/19
2006/0251467	A1 *	11/2006	Cheng	402/19
2007/0086636	A1 *	4/2007	Cheng	402/37

OTHER PUBLICATIONS

World Wide Stationery Manufacturing Company Limited, publication date unknown (A).
World Wide Stationery Manufacturing Company Limited, publication date unknown (B).
World Wide Stationery Manufacturing Company Limited, publication date unknown (C).

* cited by examiner

Primary Examiner—Elizabeth A Albert

Assistant Examiner—Kelley A Donnelly

(74) *Attorney, Agent, or Firm*—Senninger Powers LLP

(57) **CLAIM**

The ornamental design for rectilinear binder ring, as shown and described.

DESCRIPTION

FIG. 1 is a perspective of a rectilinear binder ring attached to a ring binder mechanism, the ring binder mechanism and two other rings being shown in phantom;

FIG. 2 is a front elevational view of the rectilinear binder ring of FIG. 1, the back elevational view of the ring being identical;

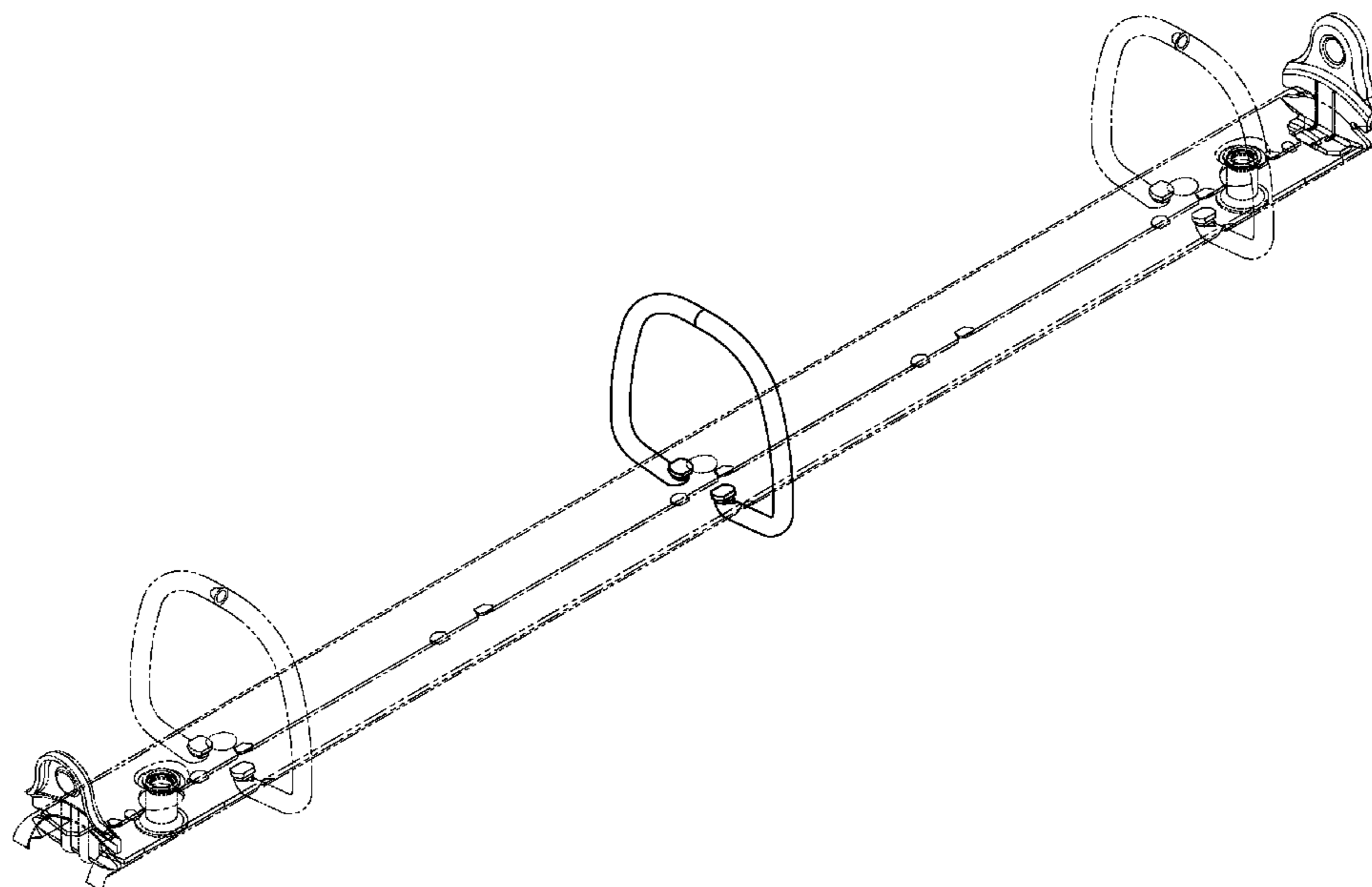
FIG. 3 is a top plan view thereof;

FIG. 4 is a bottom plan view thereof; and,

FIG. 5 is a right side elevational view of the ring, the left side elevational view being identical.

The phantom lines in the drawings indicate environmental structure which forms no part of the claimed design.

1 Claim, 5 Drawing Sheets



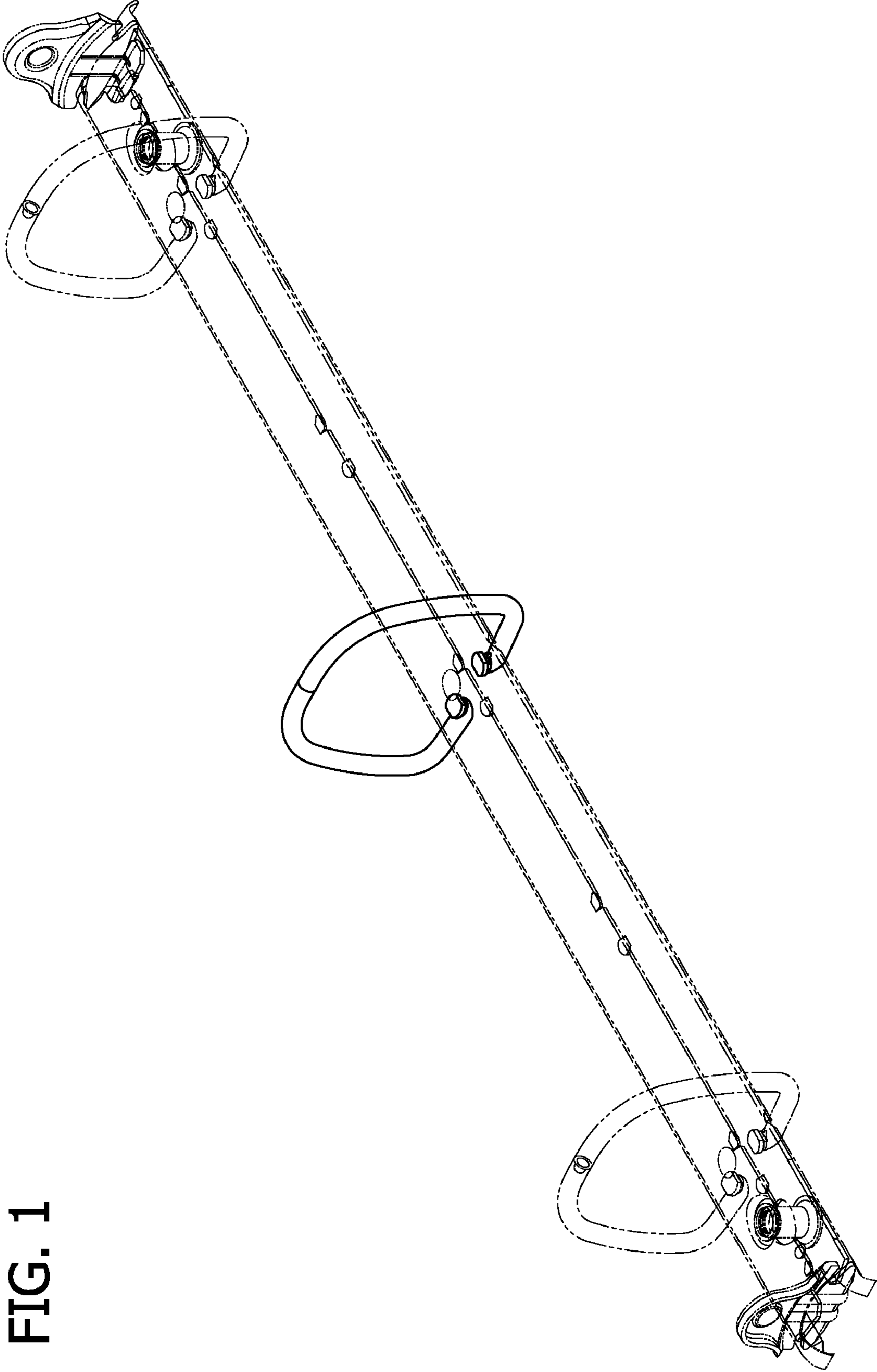


FIG. 1

FIG. 2

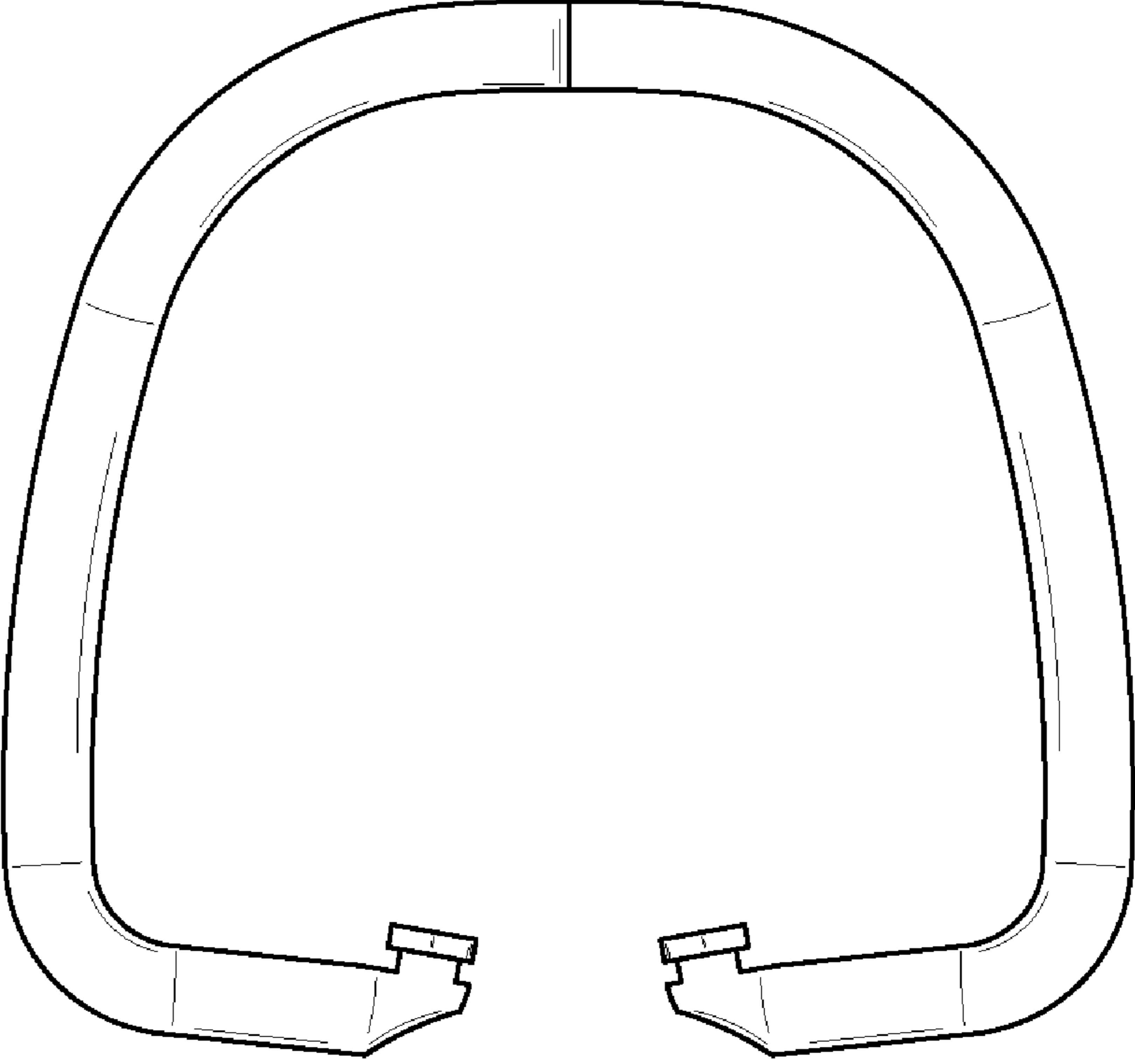


FIG. 3

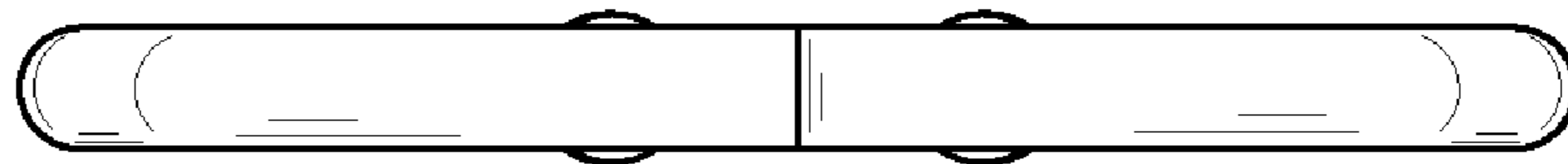


FIG. 4

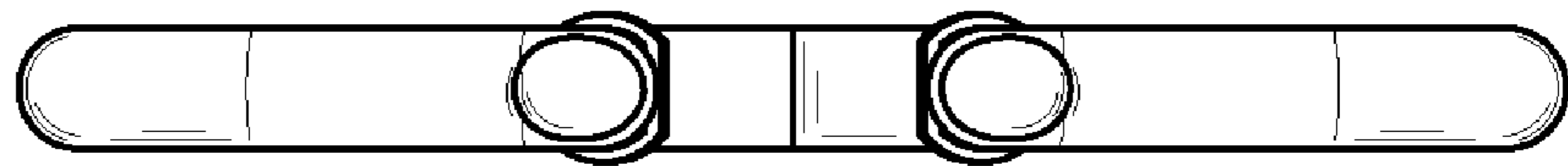


FIG. 5

