



US00D585934S

(12) **United States Design Patent**  
**Tomono et al.**

(10) **Patent No.:** **US D585,934 S**  
(45) **Date of Patent:** **\*\* Feb. 3, 2009**

(54) **PRINTER**

(75) Inventors: **Satoshi Tomono**, Tokyo (JP); **Yuki Shibata**, Tokyo (JP)

(73) Assignee: **Konica Minolta Business Technologies, Inc.**, Chiyoda-Ku, Tokyo (JP)

(\*\*) Term: **14 Years**

(21) Appl. No.: **29/287,976**

(22) Filed: **Oct. 5, 2007**

(30) **Foreign Application Priority Data**

Apr. 9, 2007 (JP) ..... 2007-009387

(51) **LOC (9) Cl.** ..... **14-02**

(52) **U.S. Cl.** ..... **D18/55**

(58) **Field of Classification Search** ..... D18/36-39,  
D18/50, 54, 54.1, 55; D14/420-425, 462-470;  
400/613, 613.1-613.4, 690.1-690.4, 691-694  
See application file for complete search history.

(56) **References Cited**

**U.S. PATENT DOCUMENTS**

D325,216 S *	4/1992	Girard	.....	D18/55
D346,820 S *	5/1994	Etou et al.	.....	D18/55
D350,981 S *	9/1994	Matsuda	.....	D18/55
D355,209 S *	2/1995	Ito	.....	D18/55
D388,455 S *	12/1997	Tanabe	.....	D18/55
D415,520 S *	10/1999	Suzuki et al.	.....	D18/55
D452,705 S *	1/2002	Takenouchi et al.	.....	D18/55
D455,172 S *	4/2002	Falk et al.	.....	D18/55
D456,445 S *	4/2002	Kusanagi	.....	D18/55
D477,632 S *	7/2003	Todd	.....	D18/55
D484,908 S *	1/2004	Todd	.....	D18/55
D515,132 S *	2/2006	Todd	.....	D18/55

D529,546 S *	10/2006	Kamiya et al.	.....	D18/55
D530,361 S *	10/2006	Chambers	.....	D18/50
D533,586 S *	12/2006	Nakamura et al.	.....	D18/55
D558,264 S *	12/2007	Smith et al.	.....	D18/55
D561,248 S *	2/2008	Lee et al.	.....	D18/50

**OTHER PUBLICATIONS**

Product information for magicolor 5430 DL available from website konicaminolta.jp, pp. 1-4.

Product information for magicolor 5440 DL available from website konicaminolta.jp, pp. 1-5.

Product information for magicolor 5450 available from website konicaminolta.jp, pp. 1-2.

Product information for magicolor 5570 available from website konicaminolta.jp, pp. 1-9.

\* cited by examiner

*Primary Examiner*—Cathy Anne MacCormac

(74) *Attorney, Agent, or Firm*—Buchanan Ingersoll & Rooney PC

(57) **CLAIM**

The ornamental design for a printer, as shown.

**DESCRIPTION**

FIG. 1 is a top, front and right side perspective view of a printer showing our new design;

FIG. 2 is a front elevational view thereof;

FIG. 3 is a rear elevational view thereof;

FIG. 4 is a left side view thereof;

FIG. 5 is a right side view thereof;

FIG. 6 is a top plan view thereof; and,

FIG. 7 is a bottom plan view thereof.

**1 Claim, 5 Drawing Sheets**

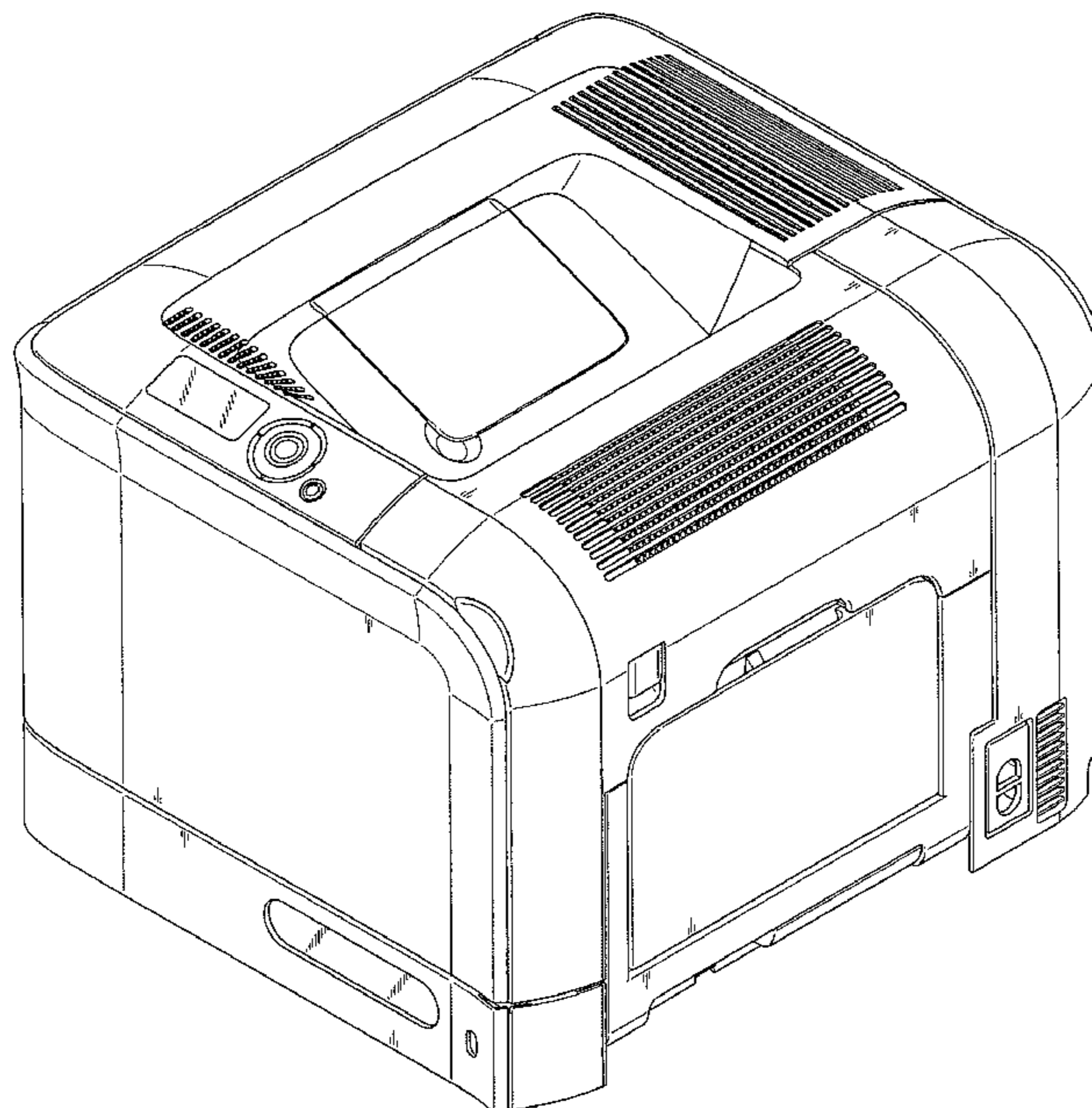


Fig. 1

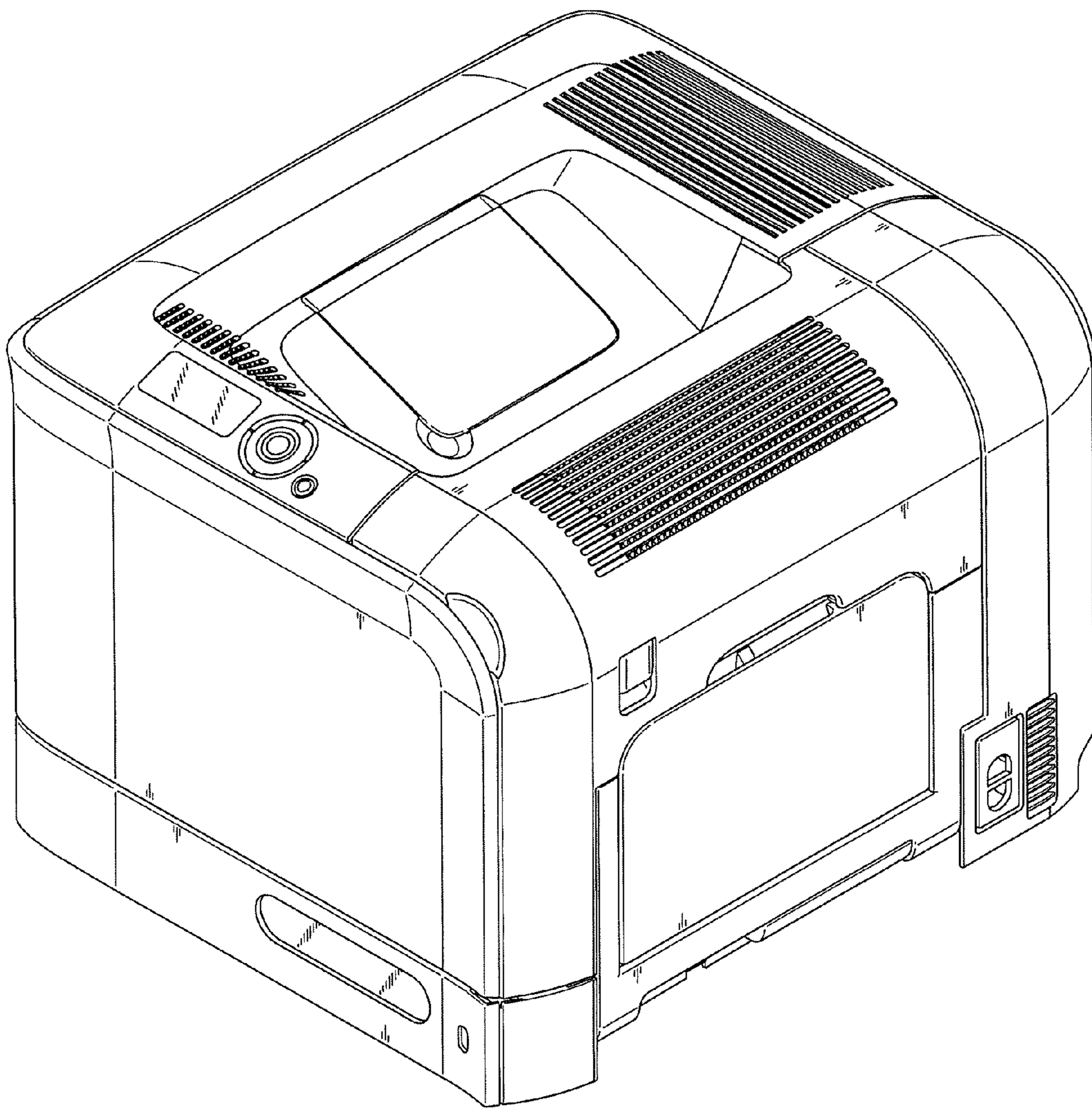


Fig. 2

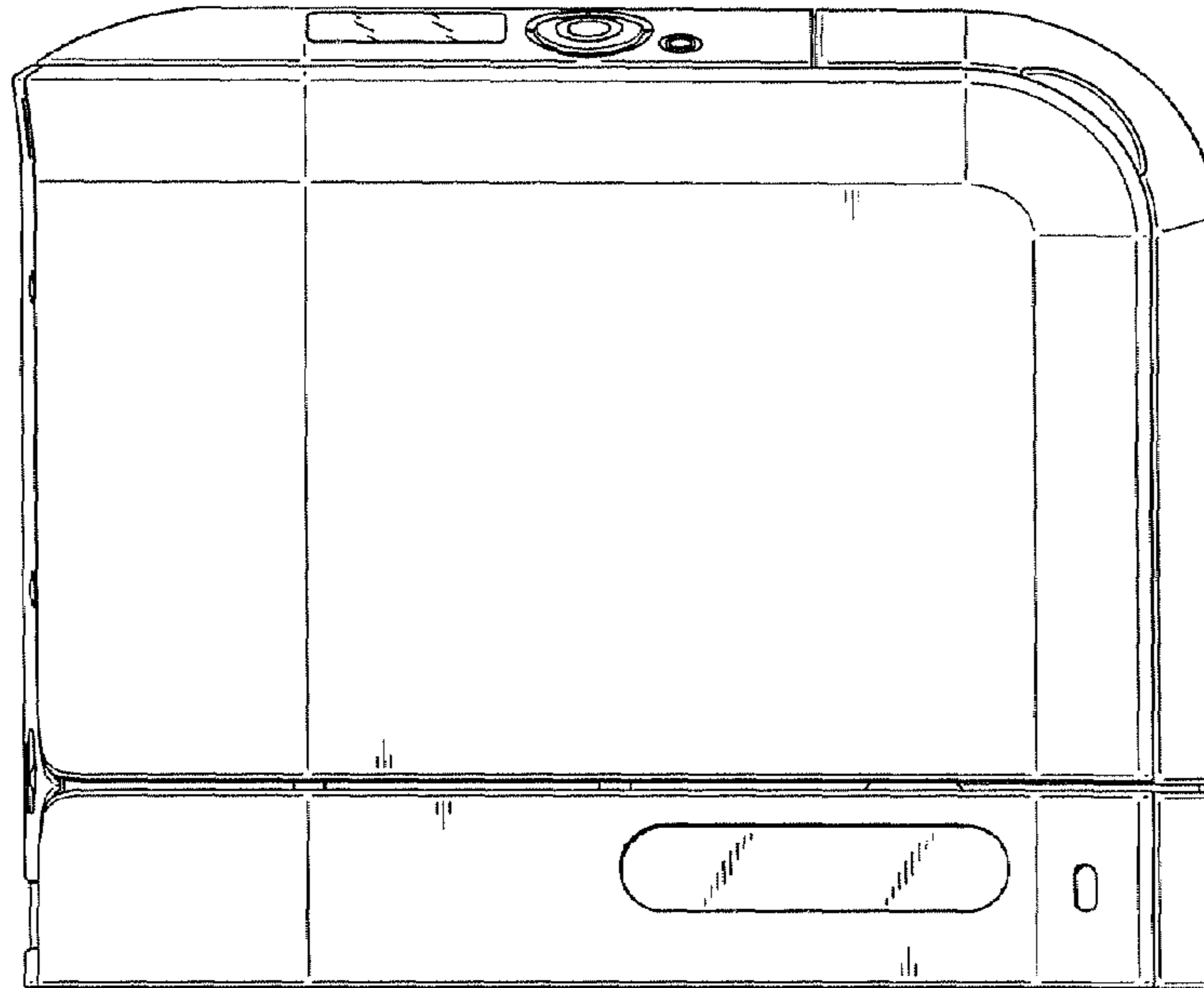


Fig. 3

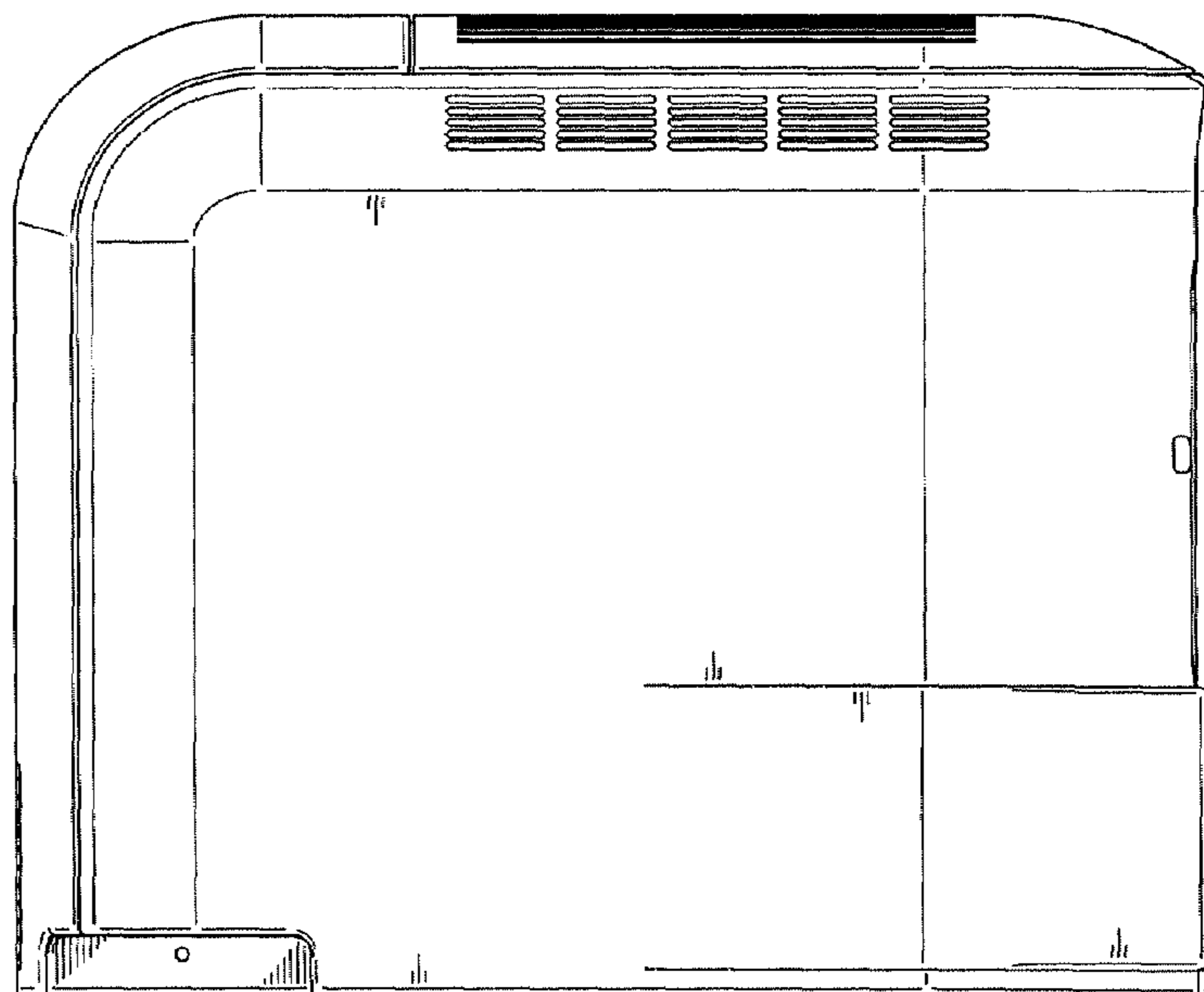




Fig. 4

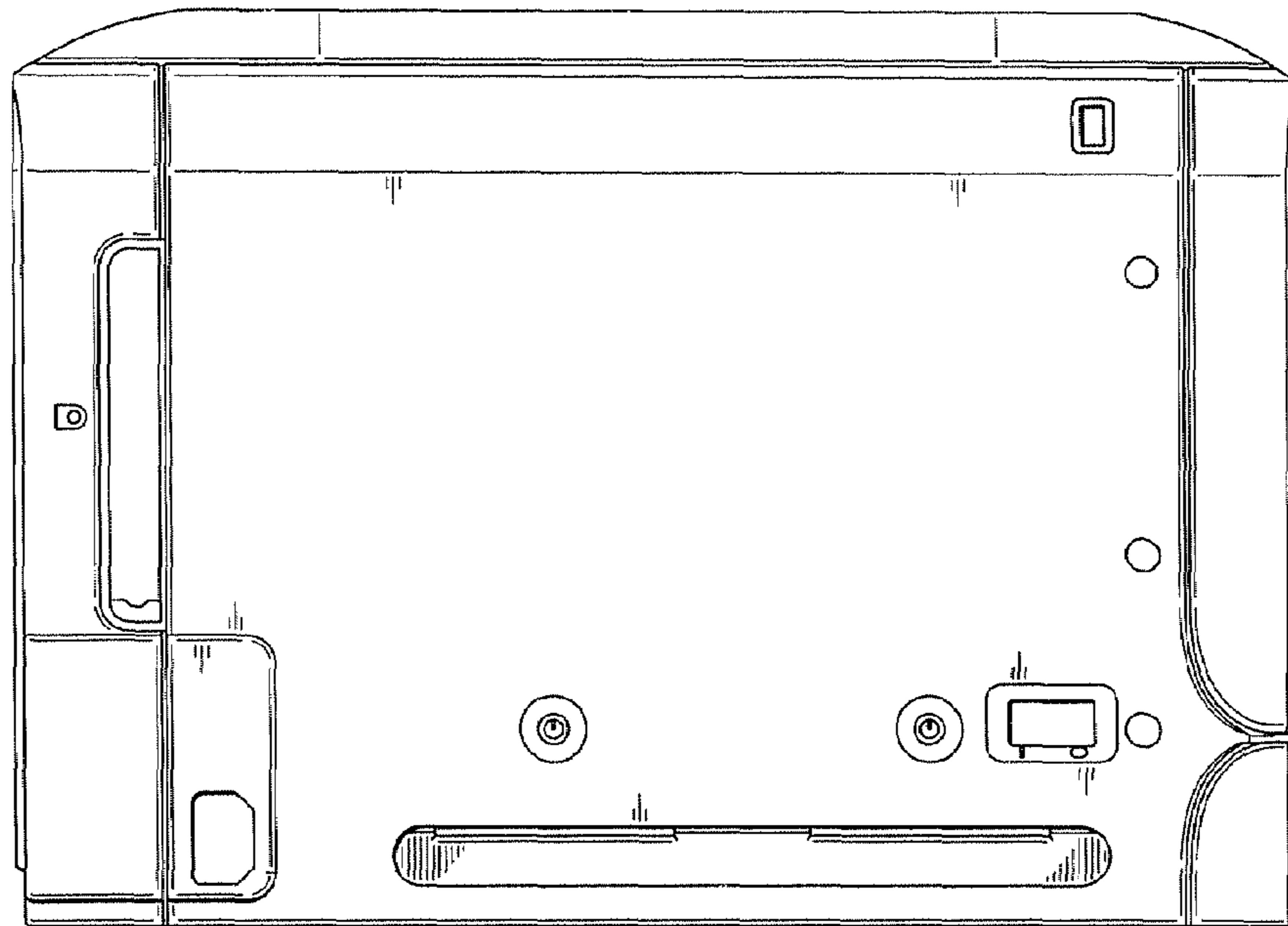


Fig. 5

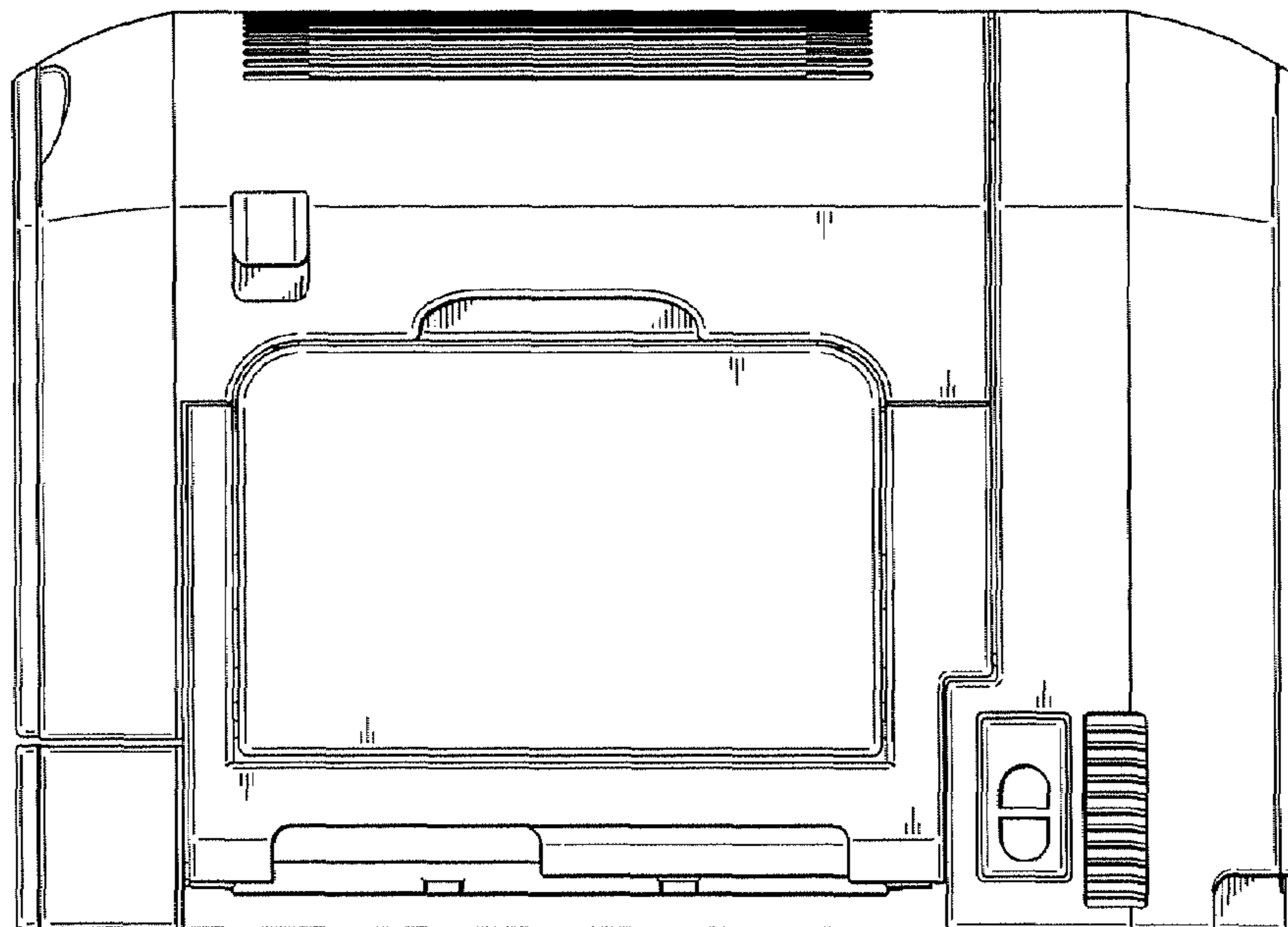


Fig. 6

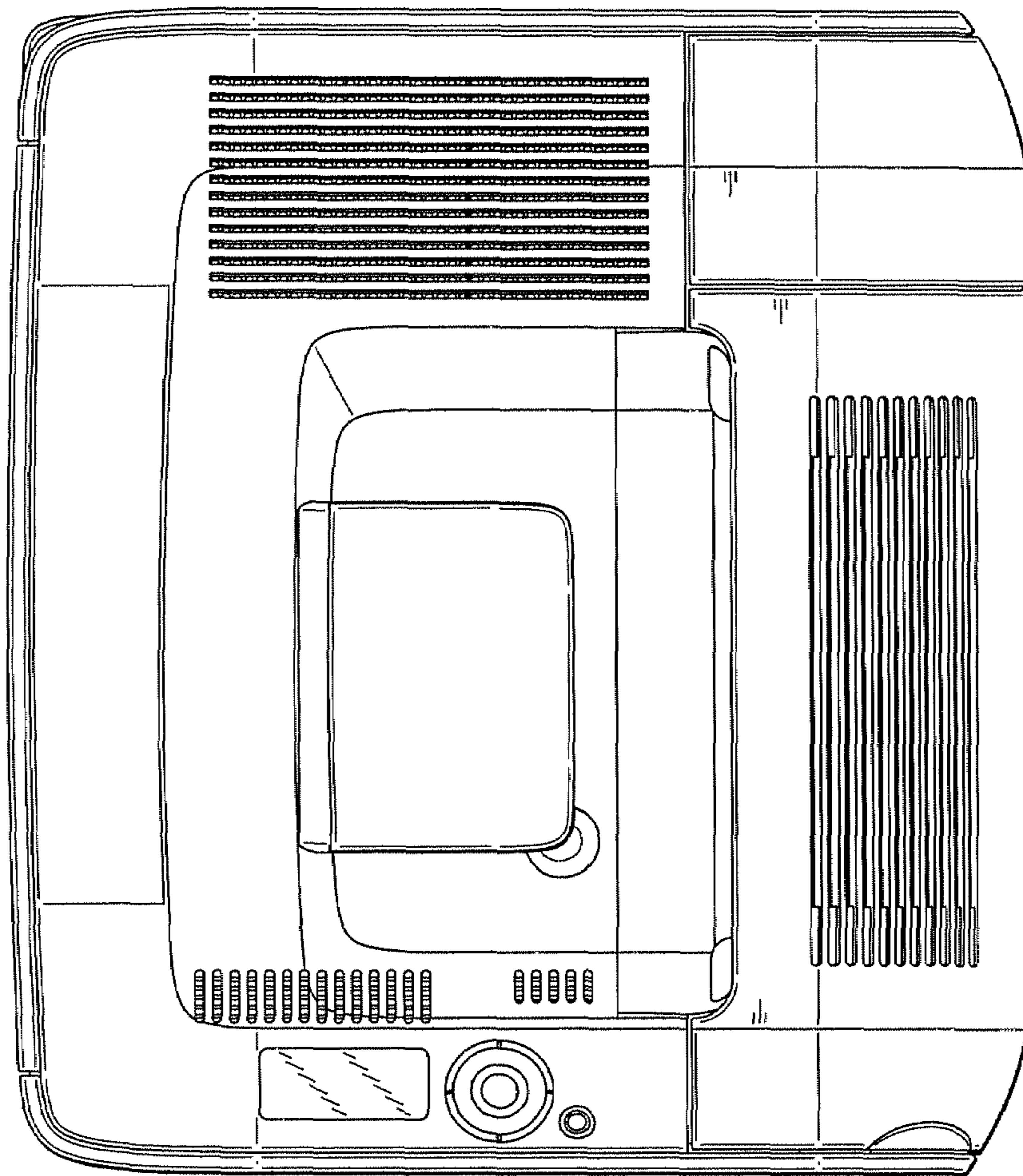


Fig. 7

