



US00D585933S

(12) **United States Design Patent**
Mita et al.

(10) **Patent No.:** **US D585,933 S**

(45) **Date of Patent:** **** Feb. 3, 2009**

(54) **STAMP**

(75) Inventors: **Masayoshi Mita**, Nagoya (JP); **Jiro Suzuki**, Nagoya (JP); **Mitsuharu Hattori**, Nagoya (JP)

(73) Assignee: **Brother Industries, Ltd.**, Nagoya (JP)

(**) Term: **14 Years**

(21) Appl. No.: **29/309,062**

(22) Filed: **Jun. 17, 2008**

(30) **Foreign Application Priority Data**

Dec. 28, 2007 (JP) 2007-036125

(51) **LOC (9) Cl.** **19-02**

(52) **U.S. Cl.** **D18/18**

(58) **Field of Classification Search** D18/15,
D18/16, 17, 18, 50; 101/333, 334, 327, 328,
101/352.07, 405, 406; 118/264, 268

See application file for complete search history.

(56) **References Cited**

U.S. PATENT DOCUMENTS

D160,469	S	*	10/1950	Brenner	D18/15
D367,290	S	*	2/1996	Sculler et al.	D18/15
D408,051	S	*	4/1999	Faber	D18/15
6,189,450	B1	*	2/2001	Shih	101/327
D452,262	S	*	12/2001	MacNeil et al.	D18/15
D493,192	S	*	7/2004	Sculler et al.	D18/15
6,834,584	B1	*	12/2004	MacNeil	101/333
D513,037	S	*	12/2005	Faber	D18/15

D527,417	S	*	8/2006	Steinmetz et al.	D18/56
D528,599	S	*	9/2006	Steinmetz et al.	D18/56
D540,376	S	*	4/2007	Hwang et al.	D18/56

* cited by examiner

Primary Examiner—Charles A Rademaker

(74) *Attorney, Agent, or Firm*—Oliff & Berridge, PLC

(57) **CLAIM**

The ornamental design for a stamp, as shown and described.

DESCRIPTION

FIG. 1 is a top perspective view of a stamp showing our new design;

FIG. 2 is a front elevation thereof;

FIG. 3 is a top plan view thereof;

FIG. 4 is a side elevation thereof, the side opposite being a mirror image;

FIG. 5 is a bottom plan view thereof;

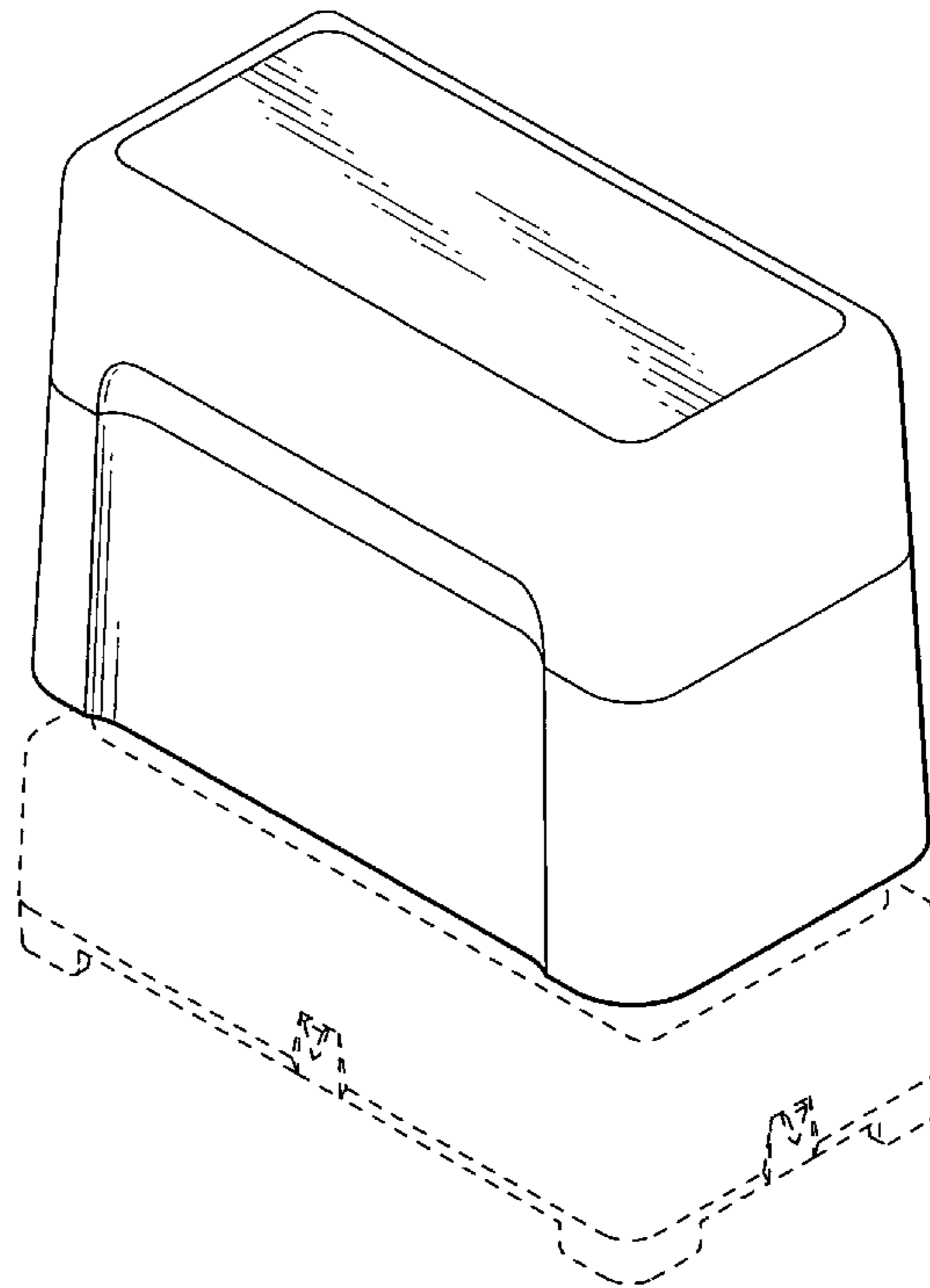
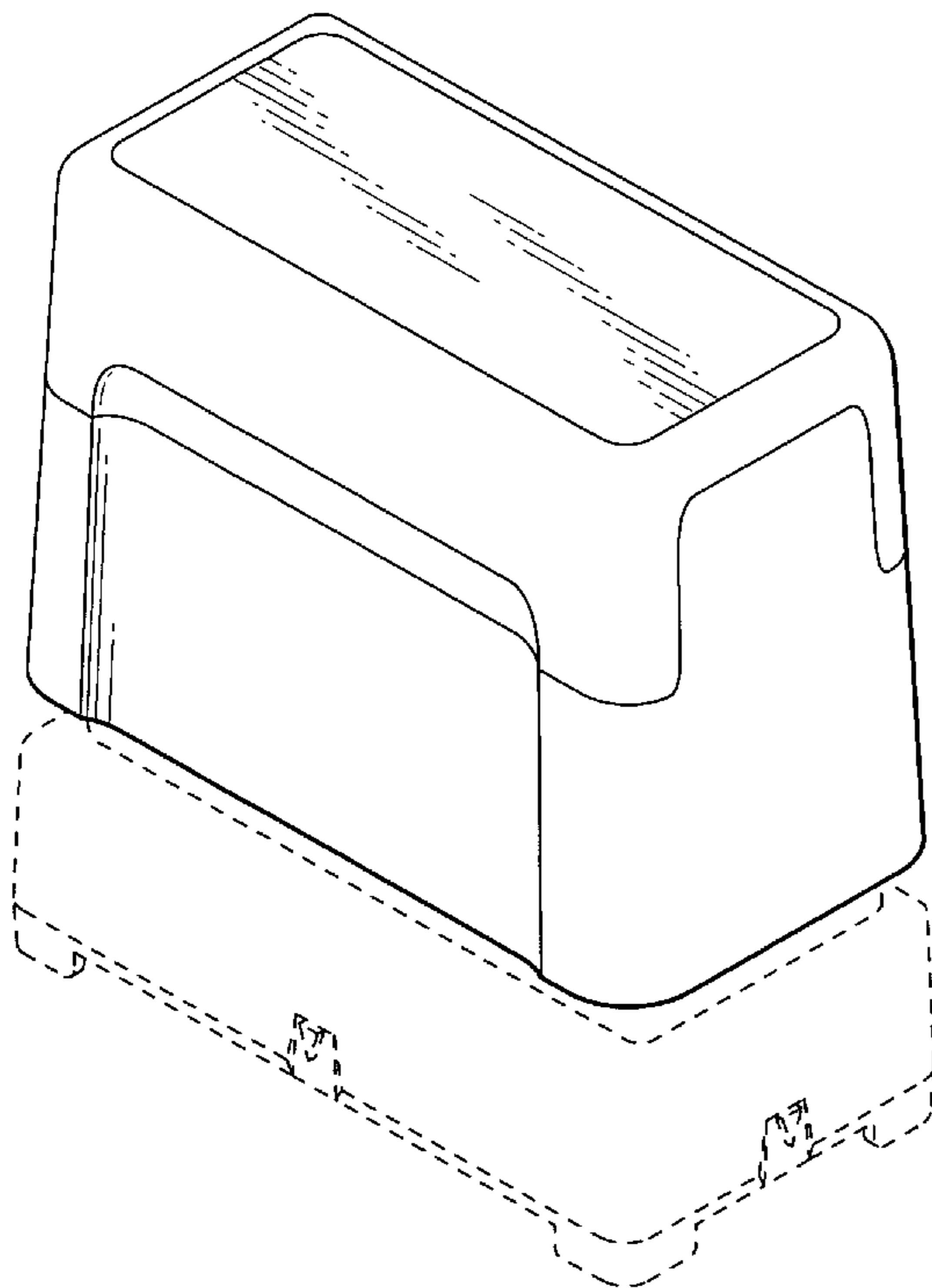
FIG. 6 is a perspective view of a modified embodiment of the design shown in FIGS. 1 through 5;

FIG. 7 is a top plan view thereof; and,

FIG. 8 is a side elevation thereof, the side opposite being a mirror image.

The front elevation, top plan, side elevation and bottom plan aspects of the modified embodiment shown in FIGS. 6 through 8 are identical to what is shown in FIGS. 2, 3, 4 and 5. The broken lines shown in the drawings represent environment and form no part of the claimed design.

1 Claim, 5 Drawing Sheets



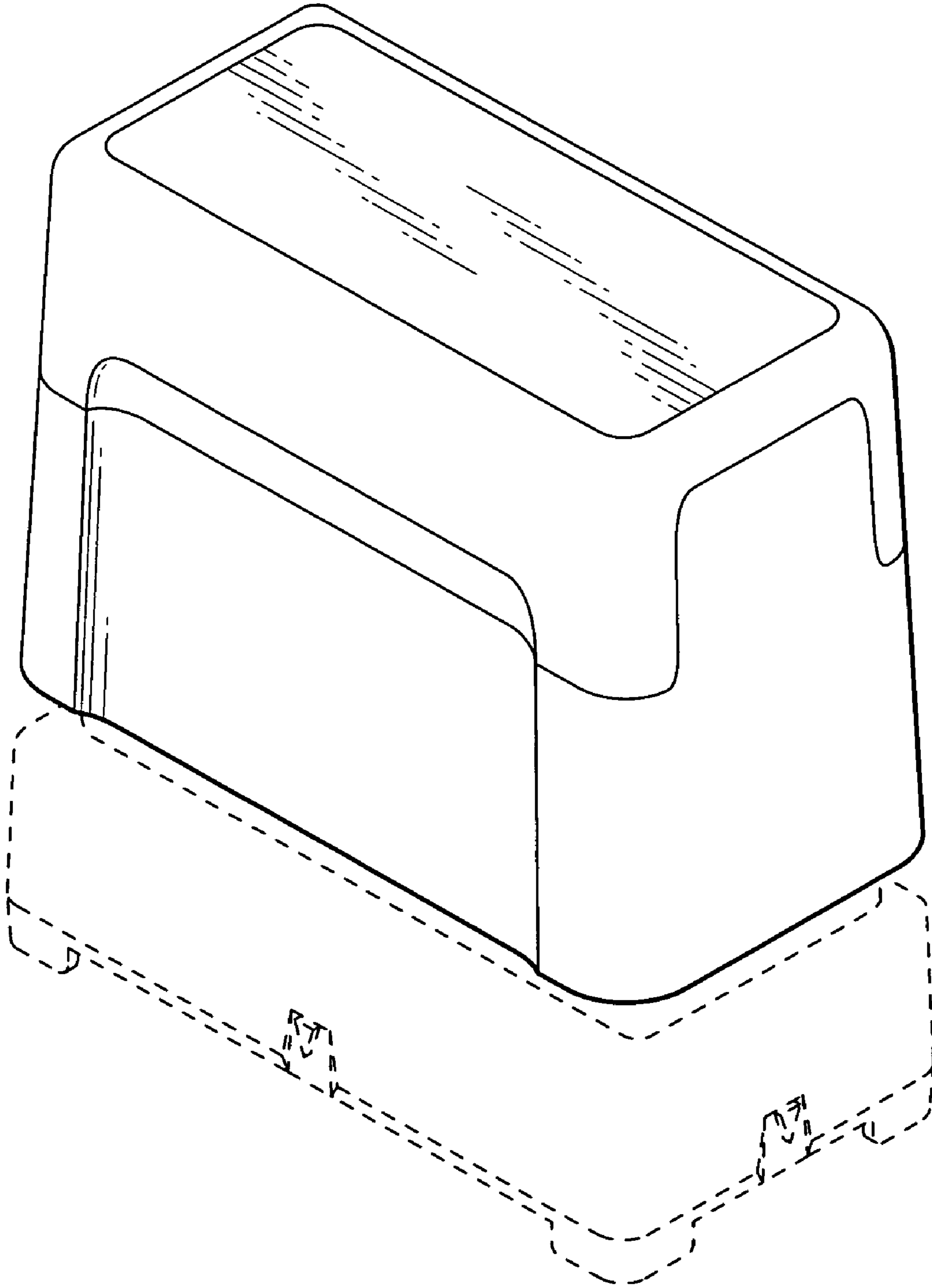


FIG. 1

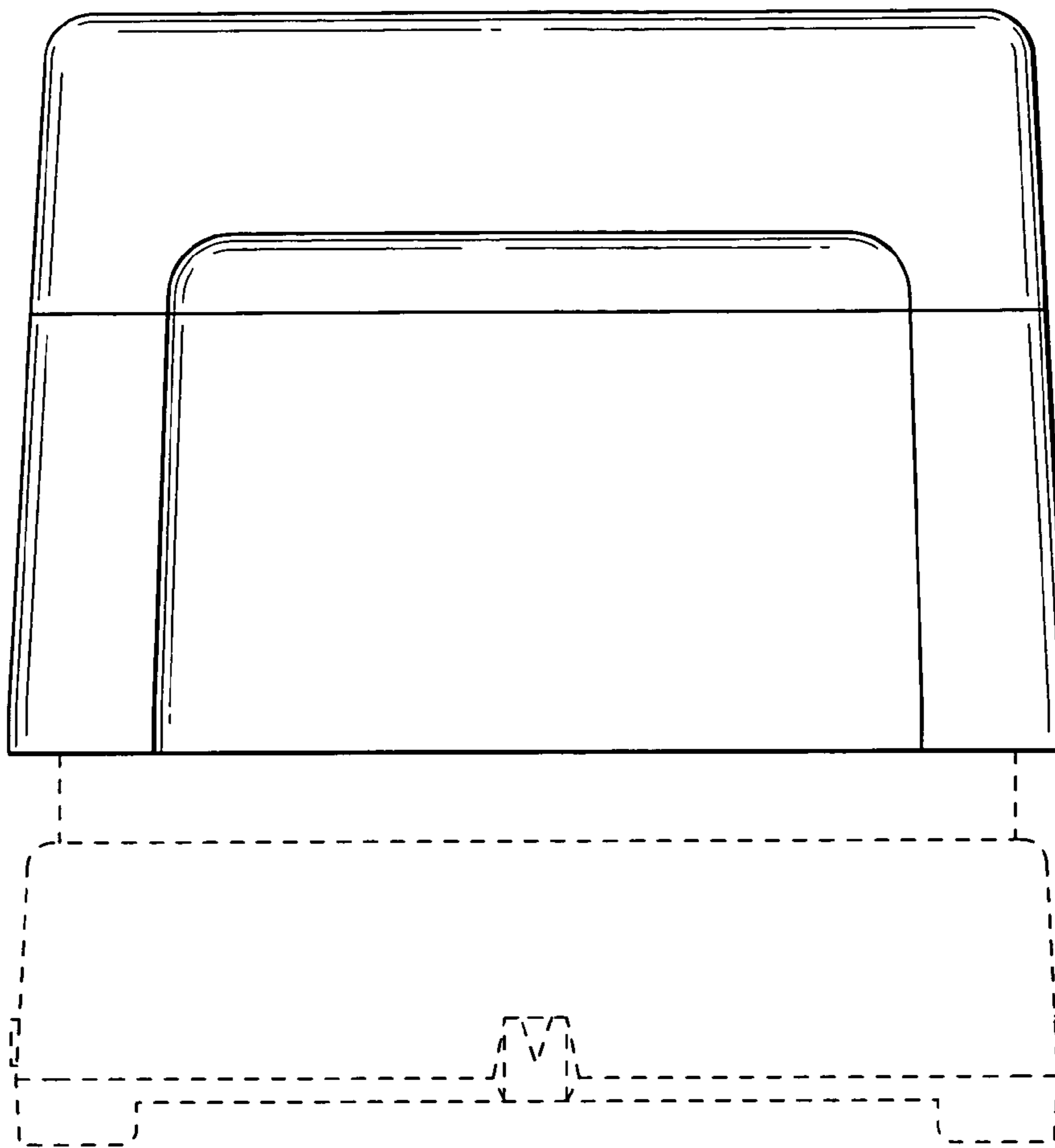


FIG. 2

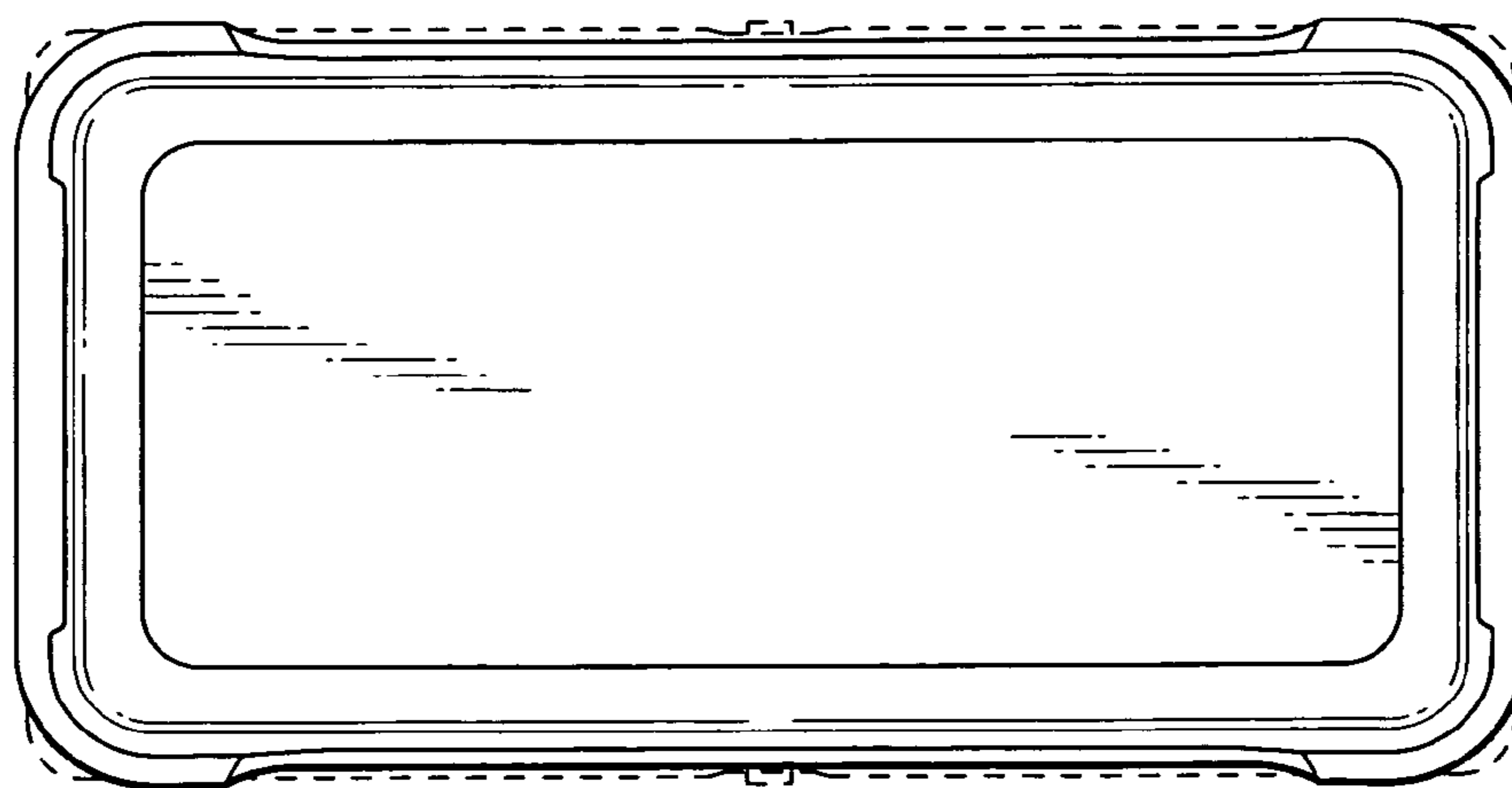


FIG. 3

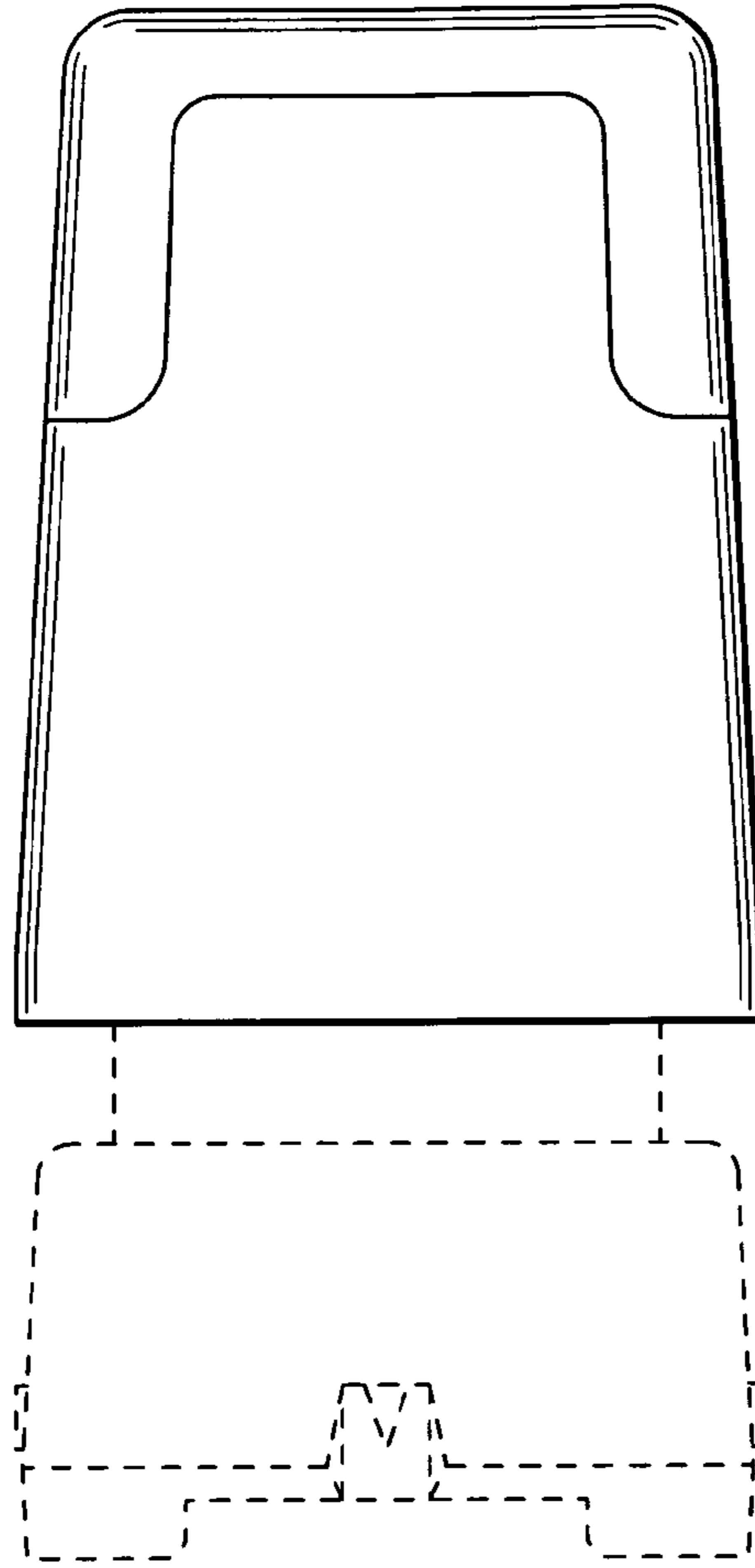


FIG. 4



FIG. 5

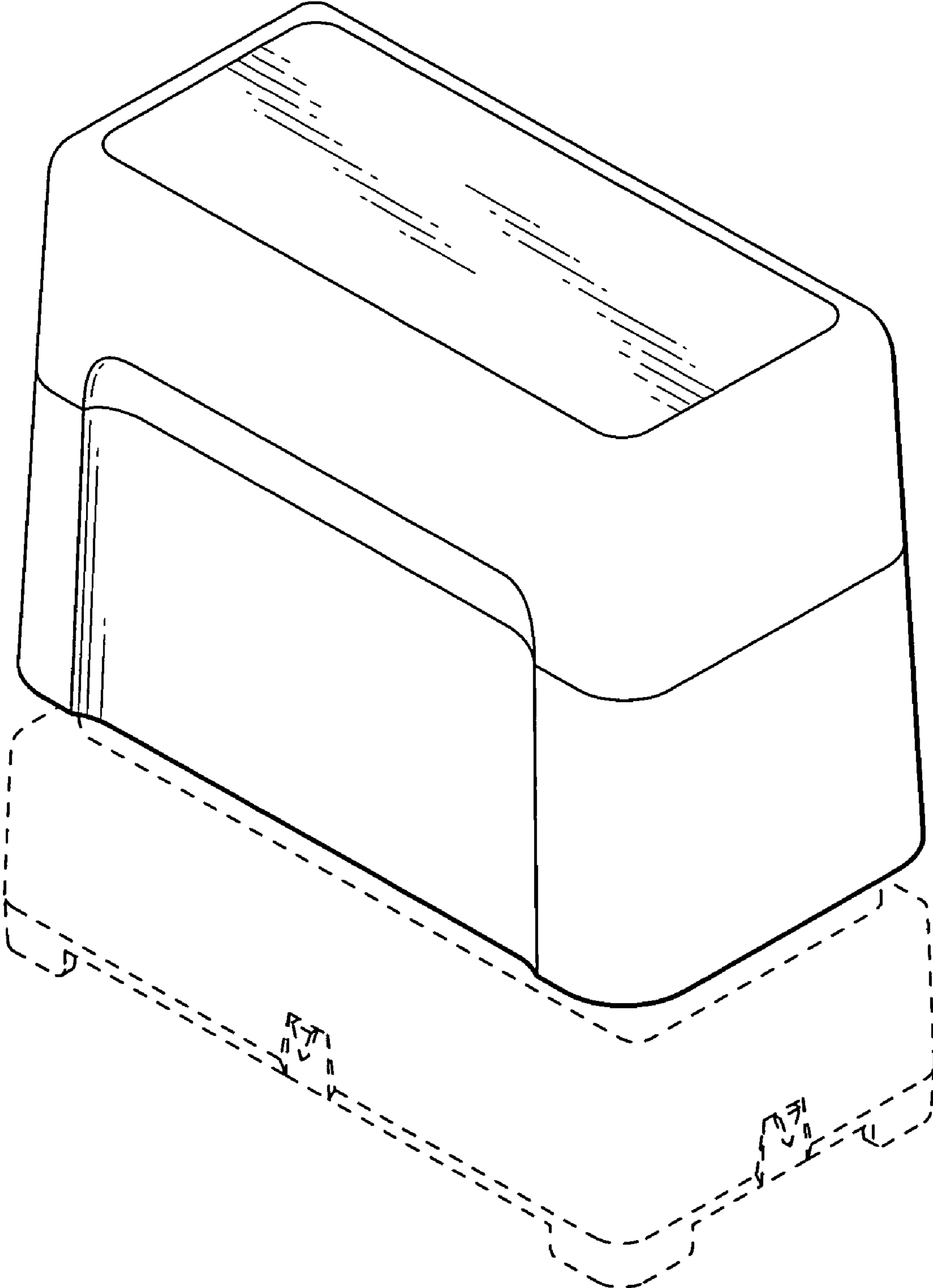


FIG. 6

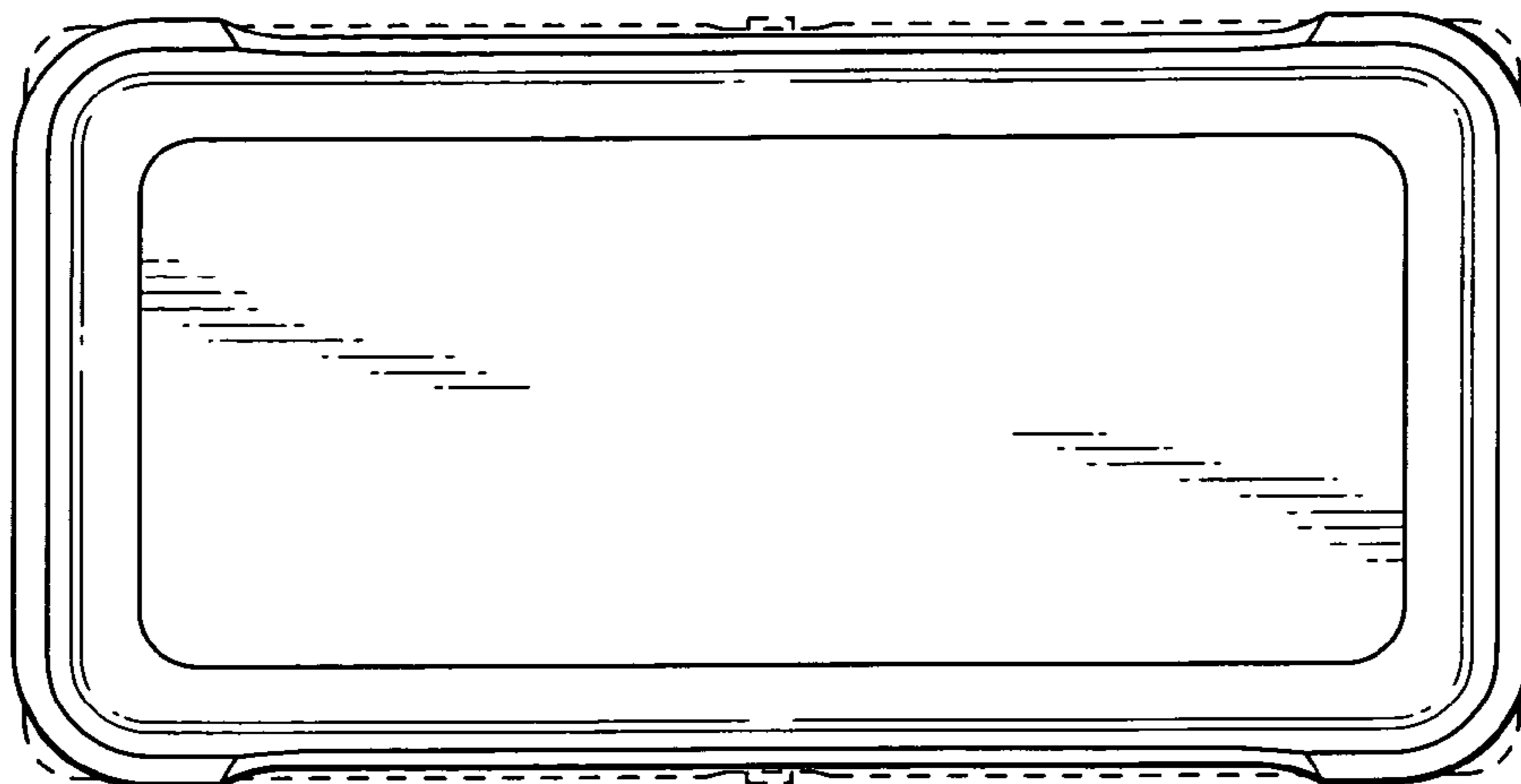


FIG. 7

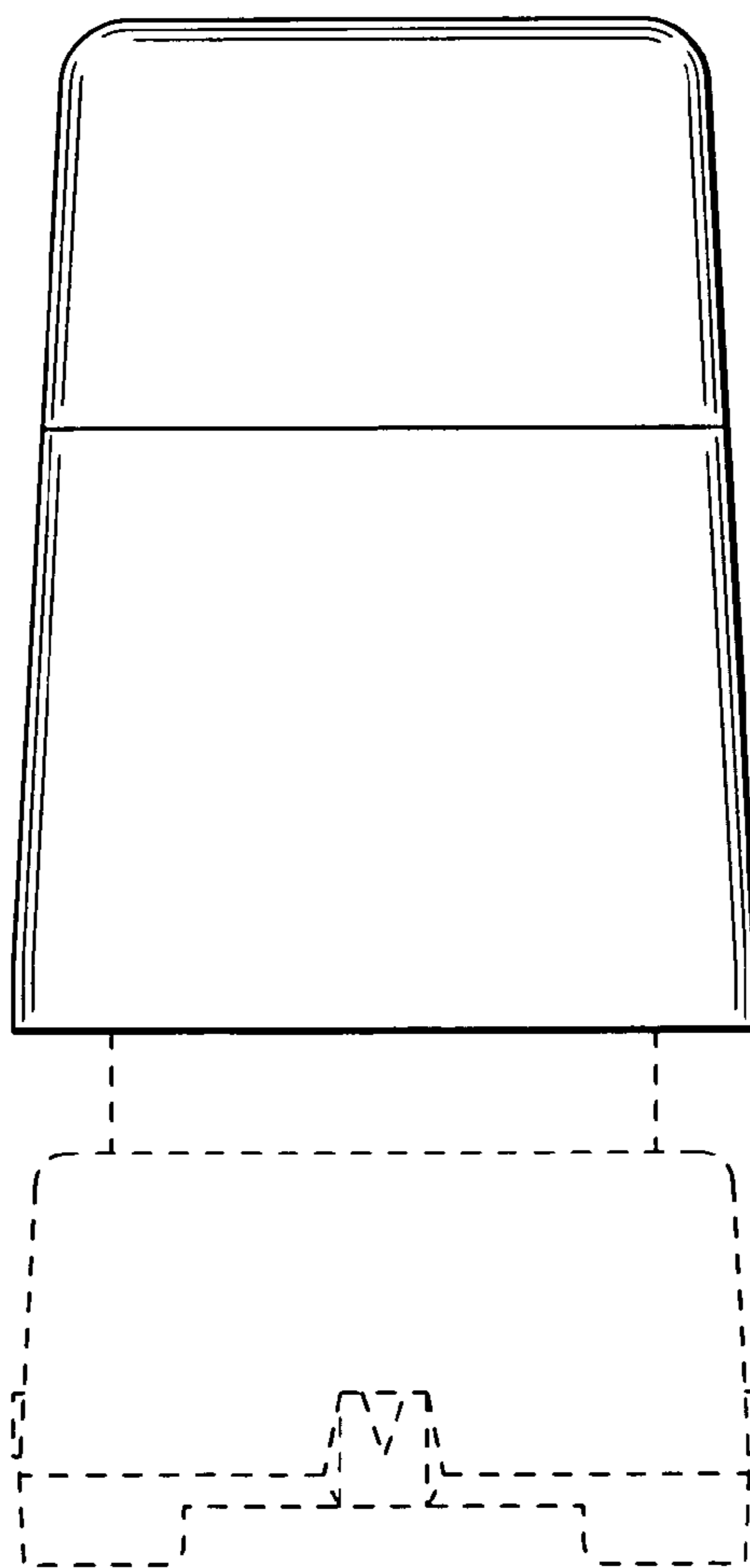


FIG. 8