



US00D585930S

(12) **United States Design Patent**
Onishi

(10) **Patent No.:** **US D585,930 S**

(45) **Date of Patent:** **** Feb. 3, 2009**

(54) **ELECTRONIC PIANO**

(75) Inventor: **Tamie Onishi**, Hamamatsu (JP)

(73) Assignee: **Yamaha Corporation**, Hamamatsu-shi (JP)

(**) Term: **14 Years**

(21) Appl. No.: **29/303,424**

(22) Filed: **Feb. 8, 2008**

(30) **Foreign Application Priority Data**

Oct. 5, 2007 (JP) 2007-027301

(51) **LOC (9) Cl.** **17-01**

(52) **U.S. Cl.** **D17/7**

(58) **Field of Classification Search** D17/1,
D17/2, 7; 84/13, 172, 174, 240, 423 R, 426,
84/743-746

See application file for complete search history.

(56) **References Cited**

U.S. PATENT DOCUMENTS

2,641,153	A *	6/1953	Enochs et al.	84/403
2,707,896	A *	5/1955	Wheeler et al.	84/423 R
D177,707	S *	5/1956	Andersen	D17/7
2,998,741	A *	9/1961	Thurston et al.	84/733
D227,572	S *	7/1973	Wyatt	D19/60
6,720,489	B2 *	4/2004	Revenaugh	84/177
D499,443	S *	12/2004	Ohno	D17/7
D557,328	S *	12/2007	Miyashita et al.	D17/7
D566,165	S *	4/2008	Ito	D17/7

* cited by examiner

Primary Examiner—Ian Simmons

Assistant Examiner—R. Johnson

(74) *Attorney, Agent, or Firm*—Sughrue Mion, PLLC

(57) **CLAIM**

The ornamental design for an electronic piano, as shown and described.

DESCRIPTION

FIG. 1 is a perspective view of the top, front and left side of an electronic piano showing my new design;

FIG. 2 is a front elevational view thereof;

FIG. 3 is a top plan view thereof;

FIG. 4 is a left side elevational view thereof;

FIG. 5 is a right side elevational view thereof;

FIG. 6 is a rear elevational view thereof;

FIG. 7 is a bottom plan view thereof;

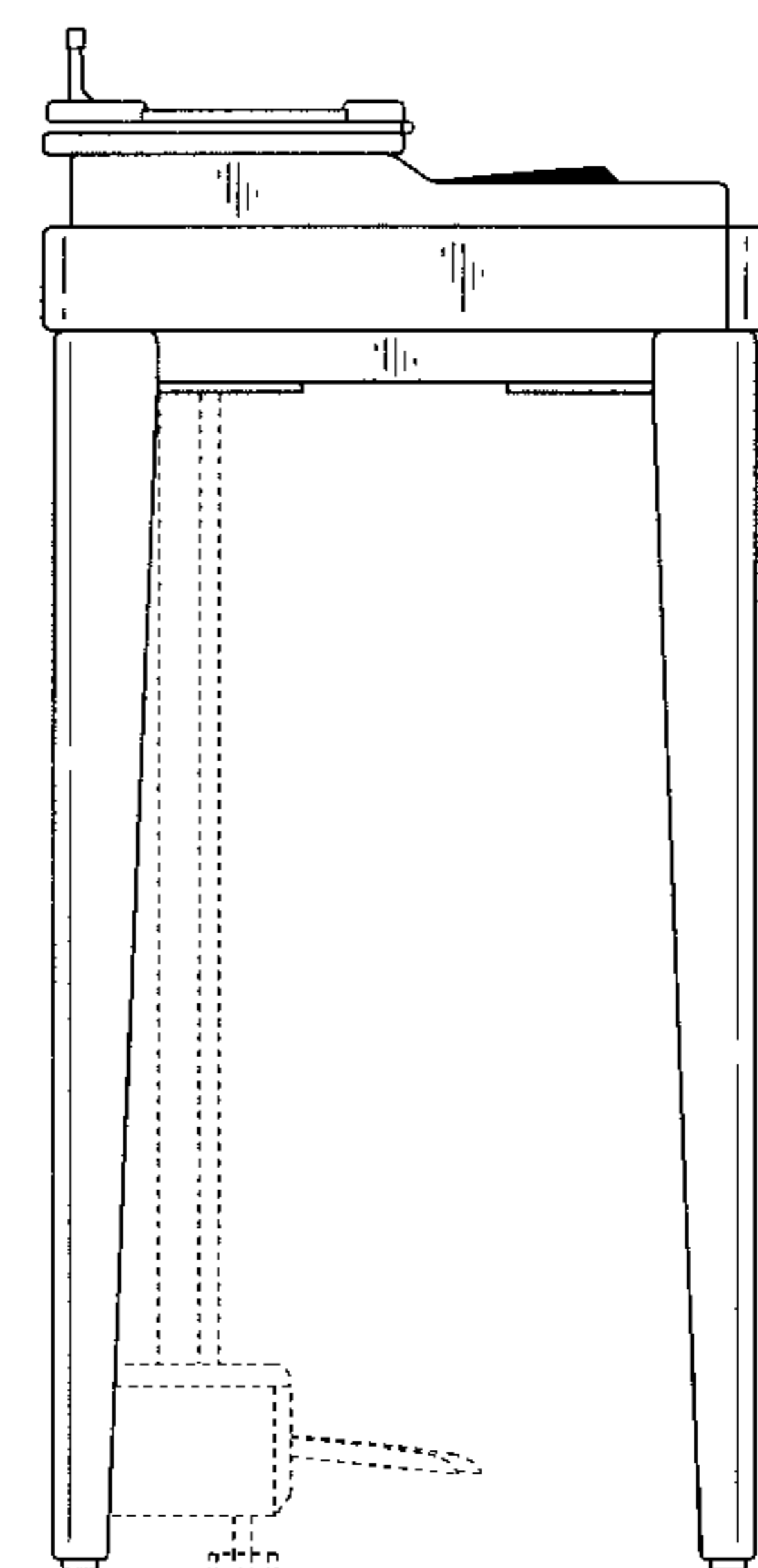
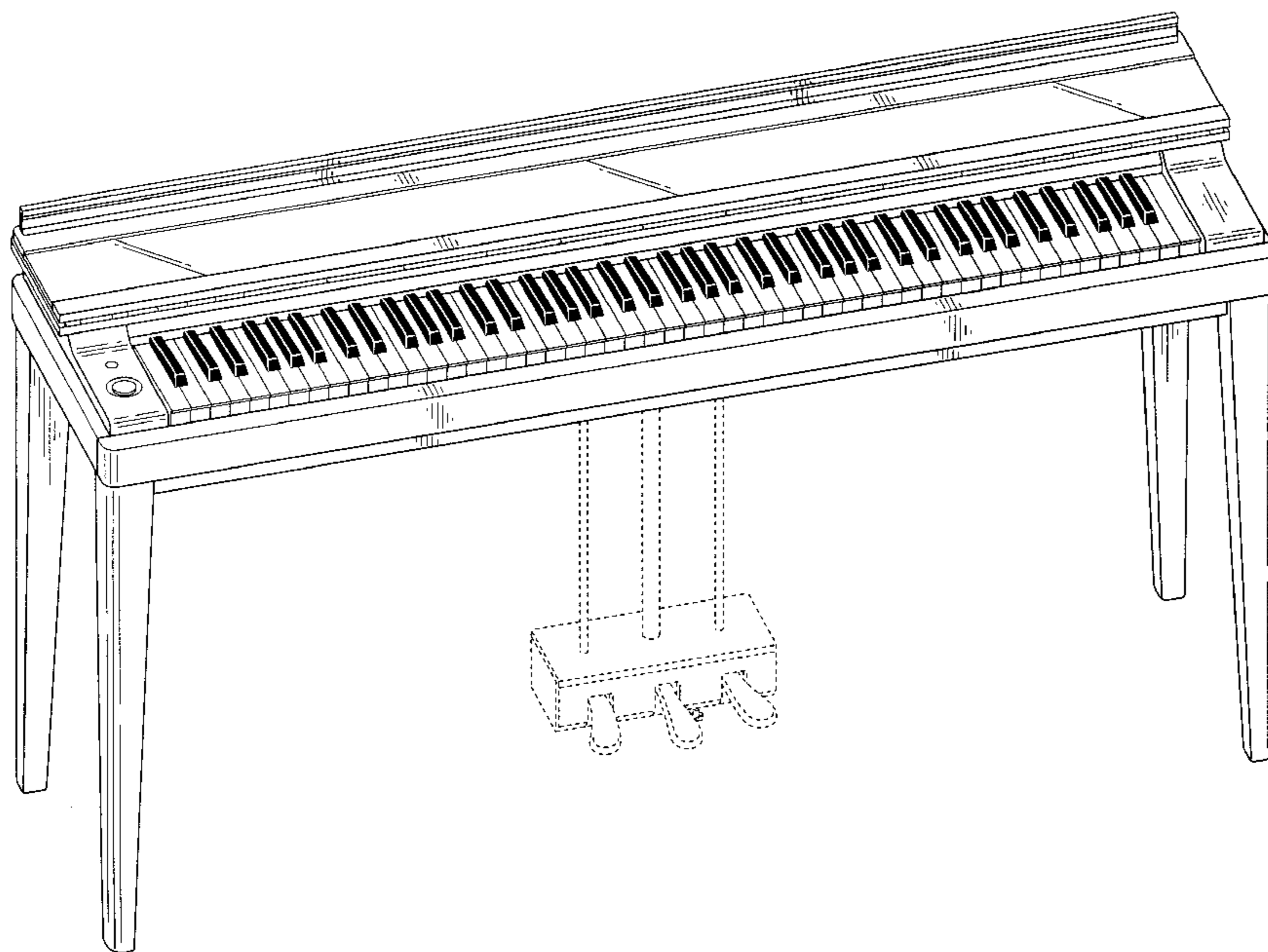
FIG. 8 is a front elevational view thereof with a cover in a closed position;

FIG. 9 is a top plan view thereof with the cover in the closed position; and,

FIG. 10 is a right side elevational view thereof with the cover in the closed position, the left side elevational view being a mirror image.

The portions shown in broken lines are for environmental purposes only and form no part of the claimed design.

1 Claim, 9 Drawing Sheets



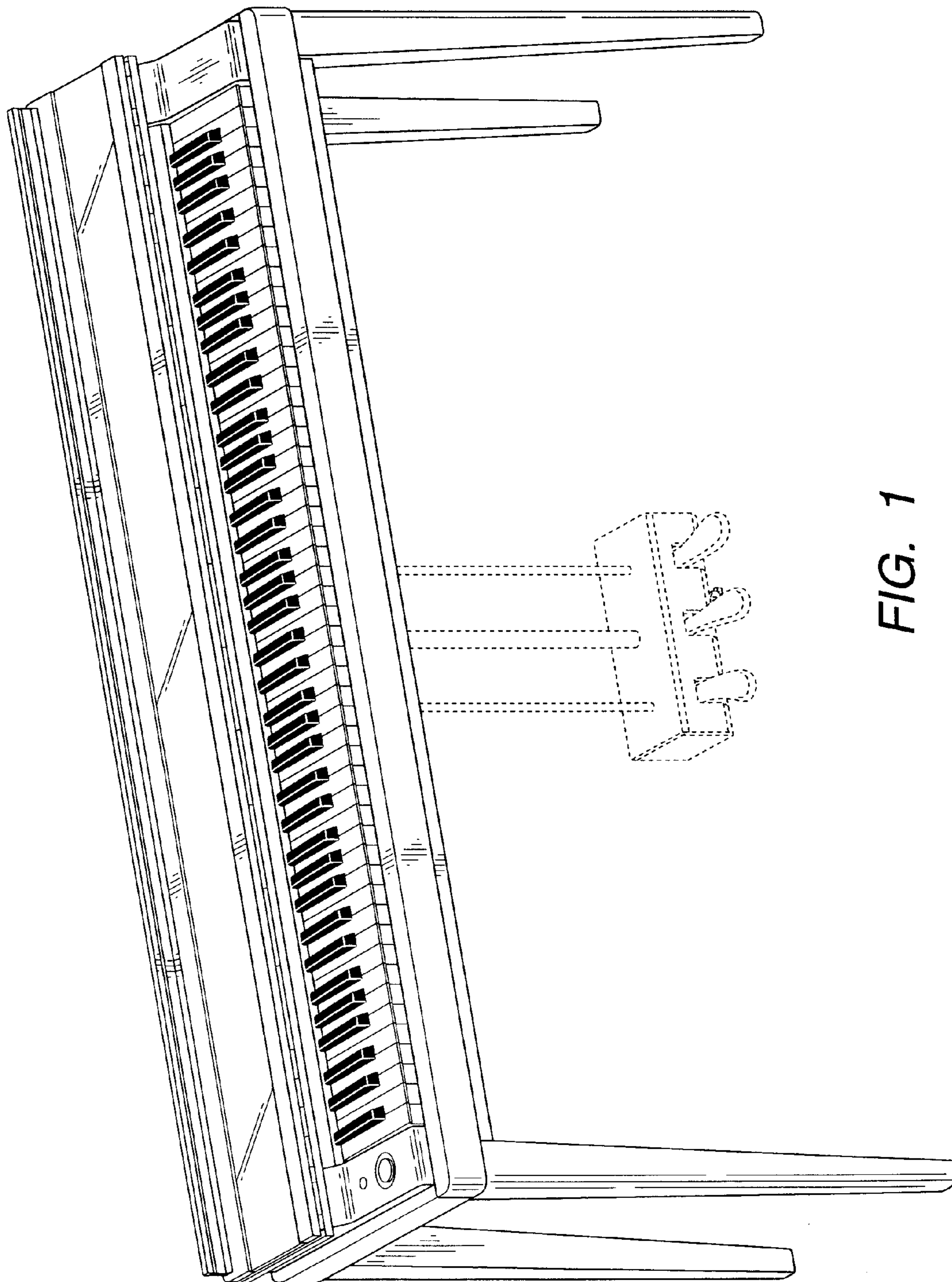


FIG. 1

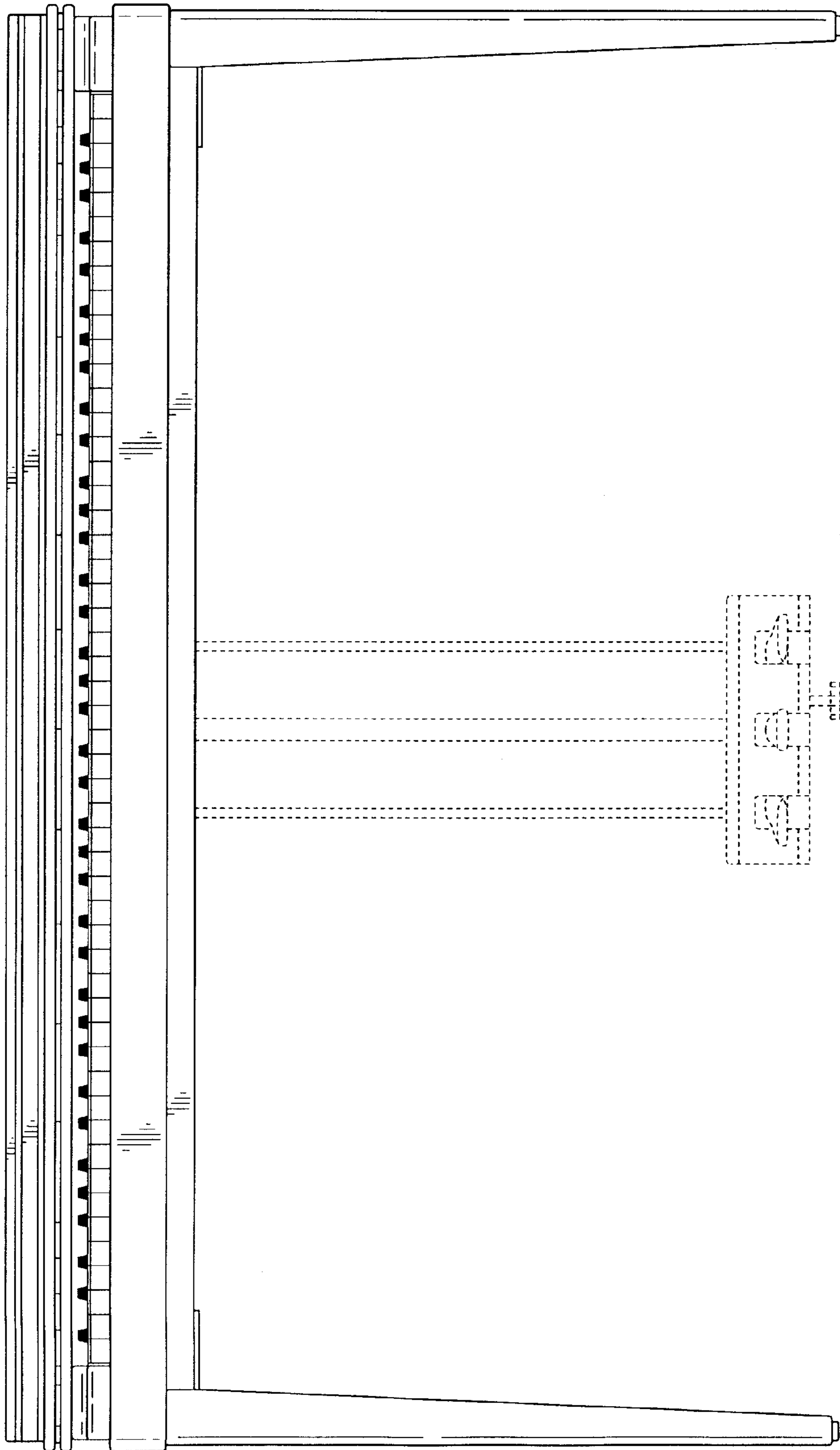


FIG. 2

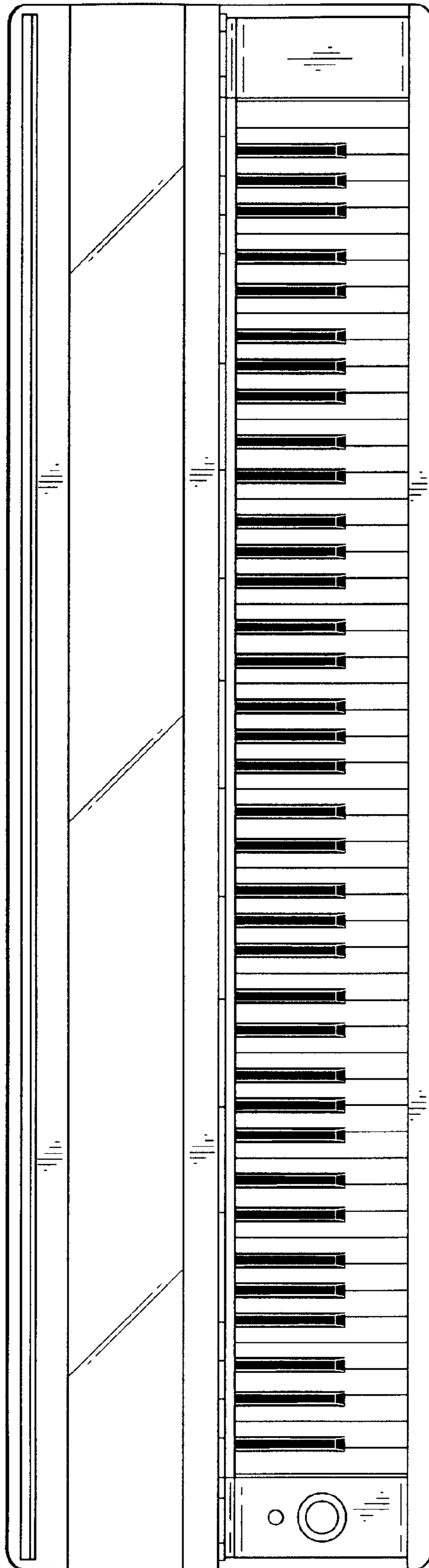


FIG. 3

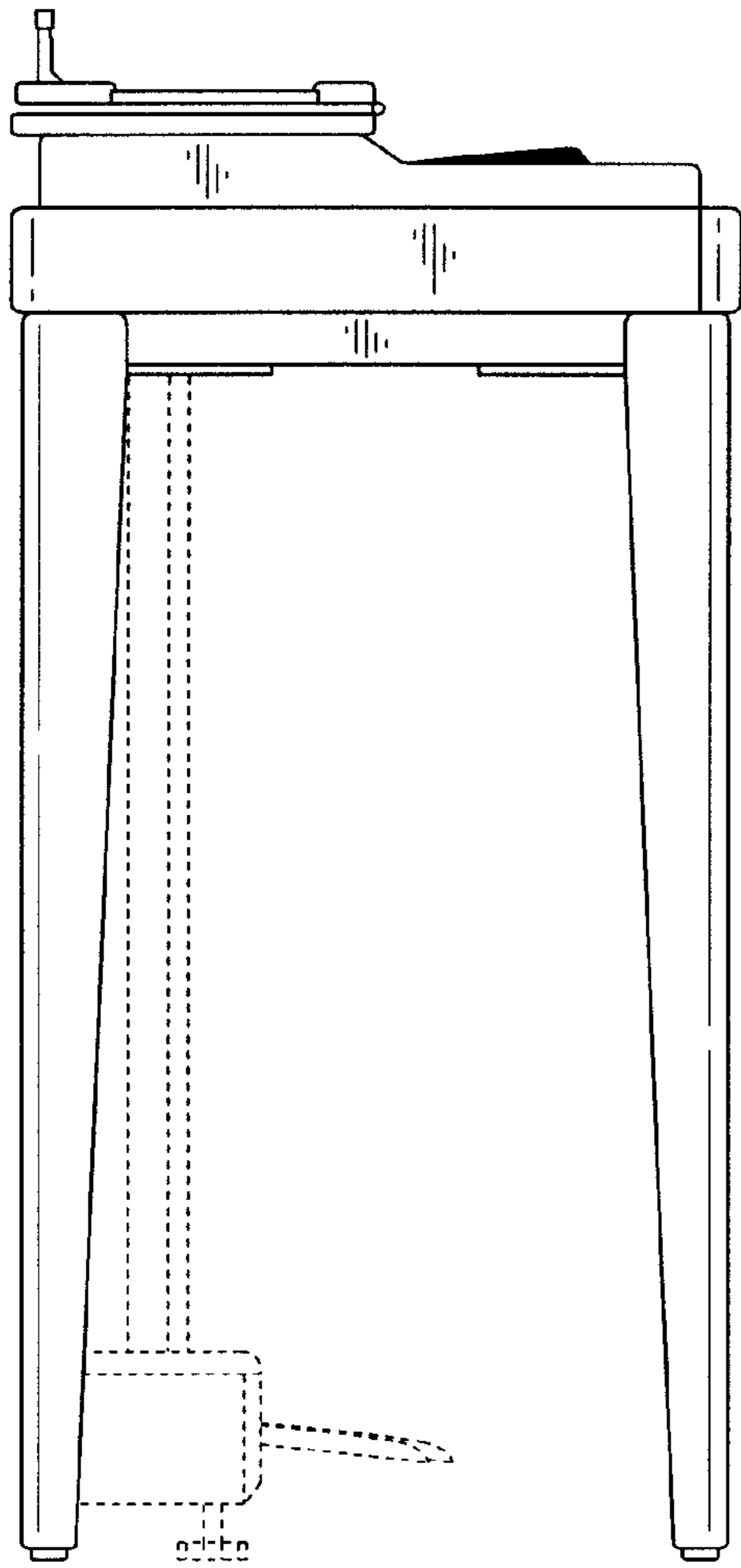


FIG. 4

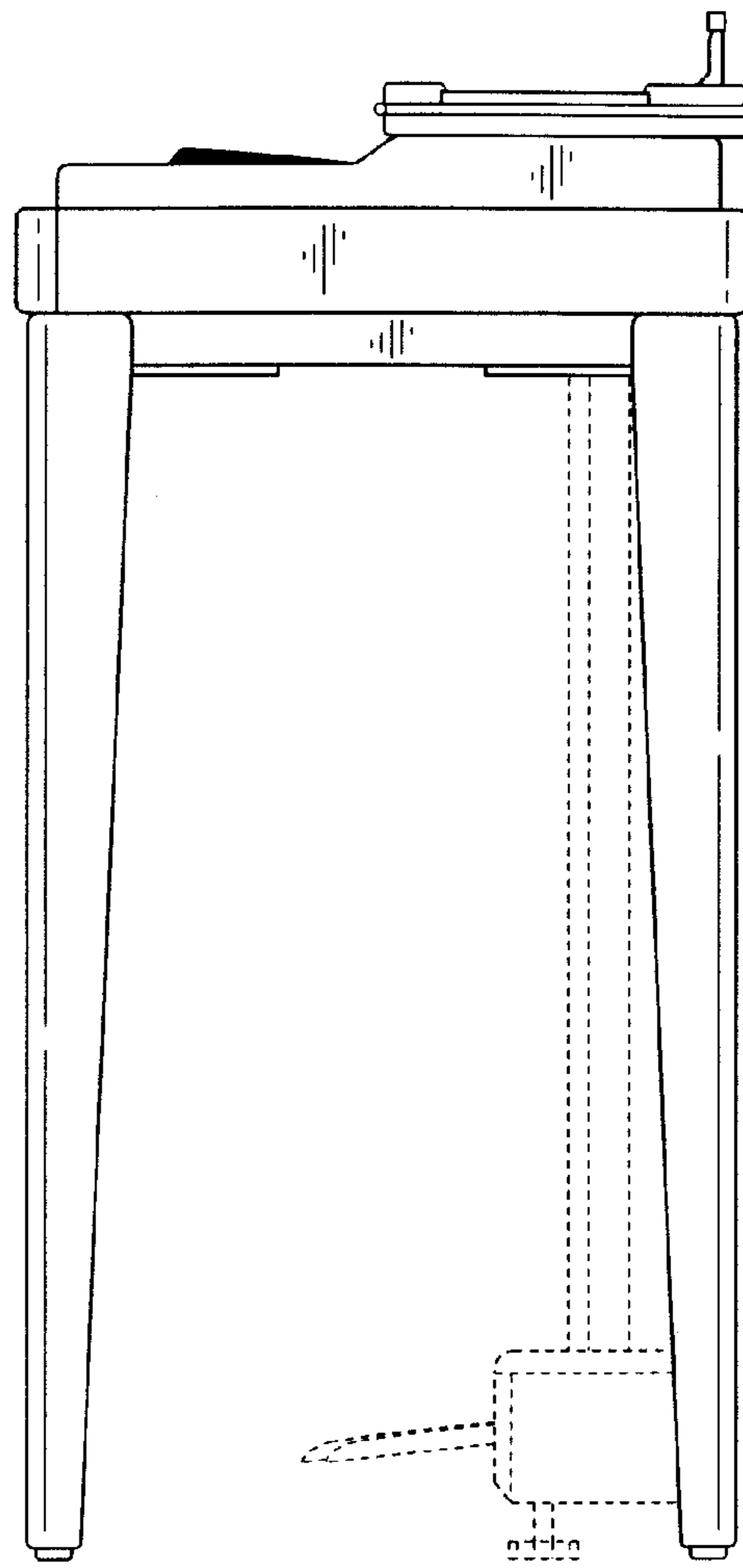


FIG. 5

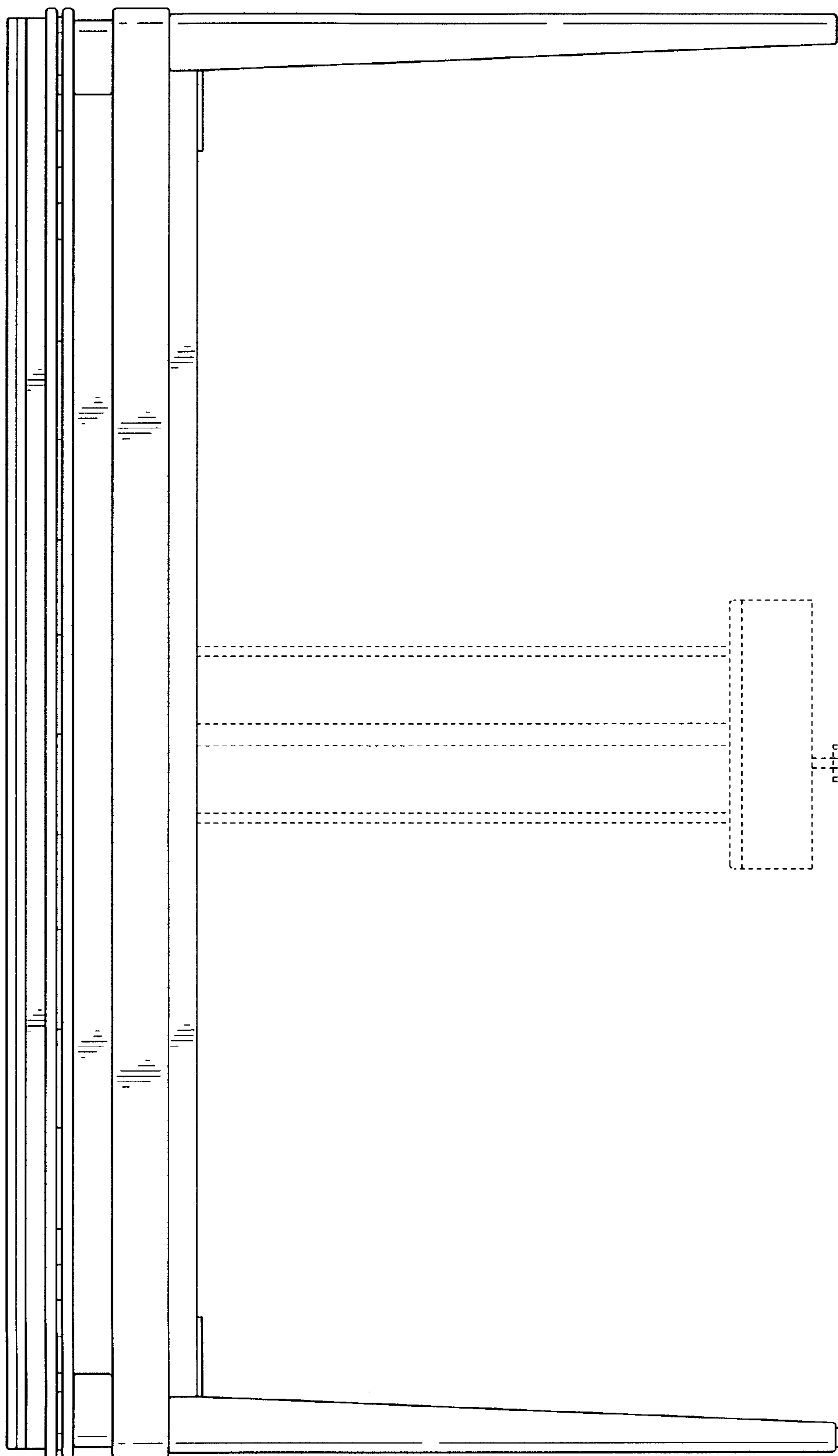


FIG. 6

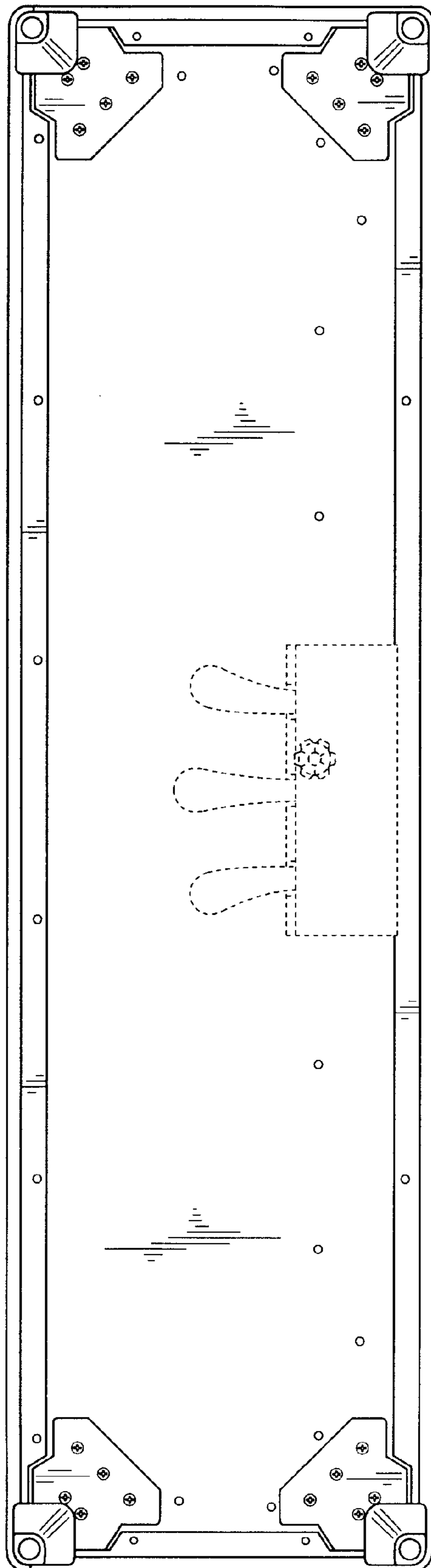


FIG. 7

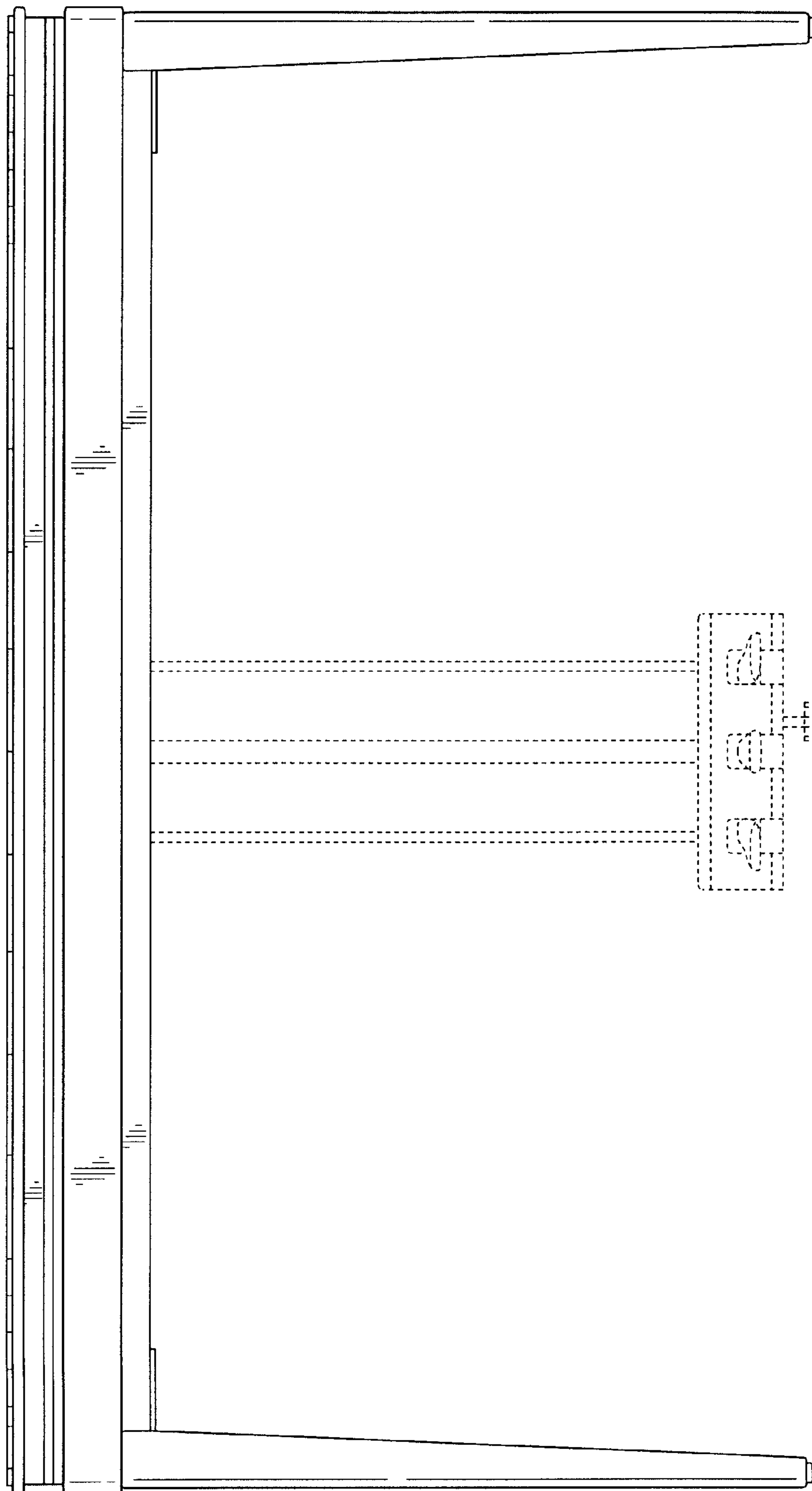


FIG. 8

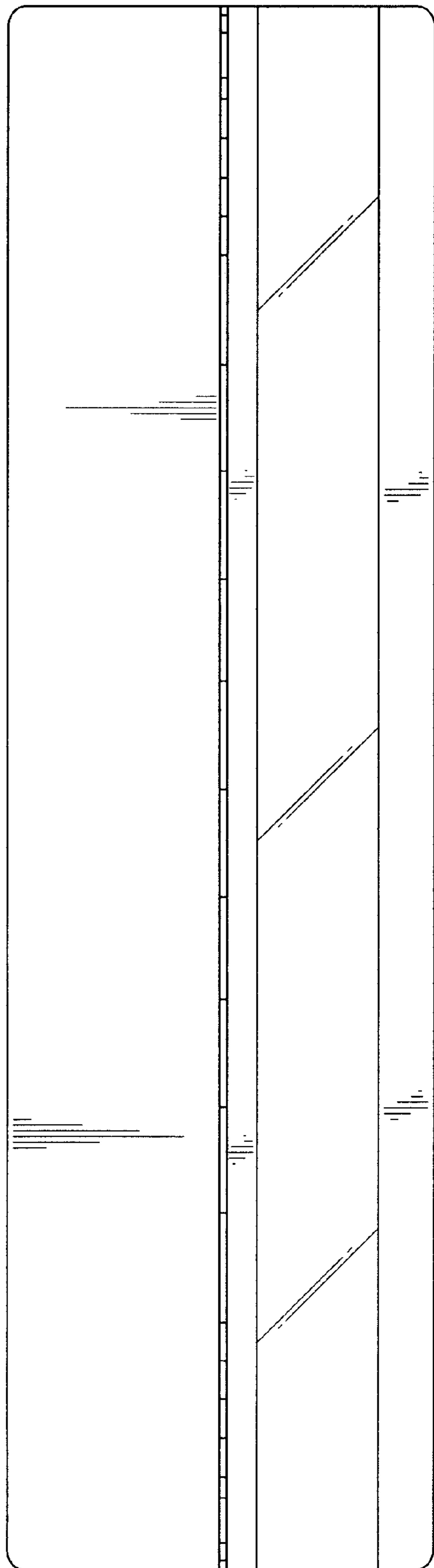


FIG. 9

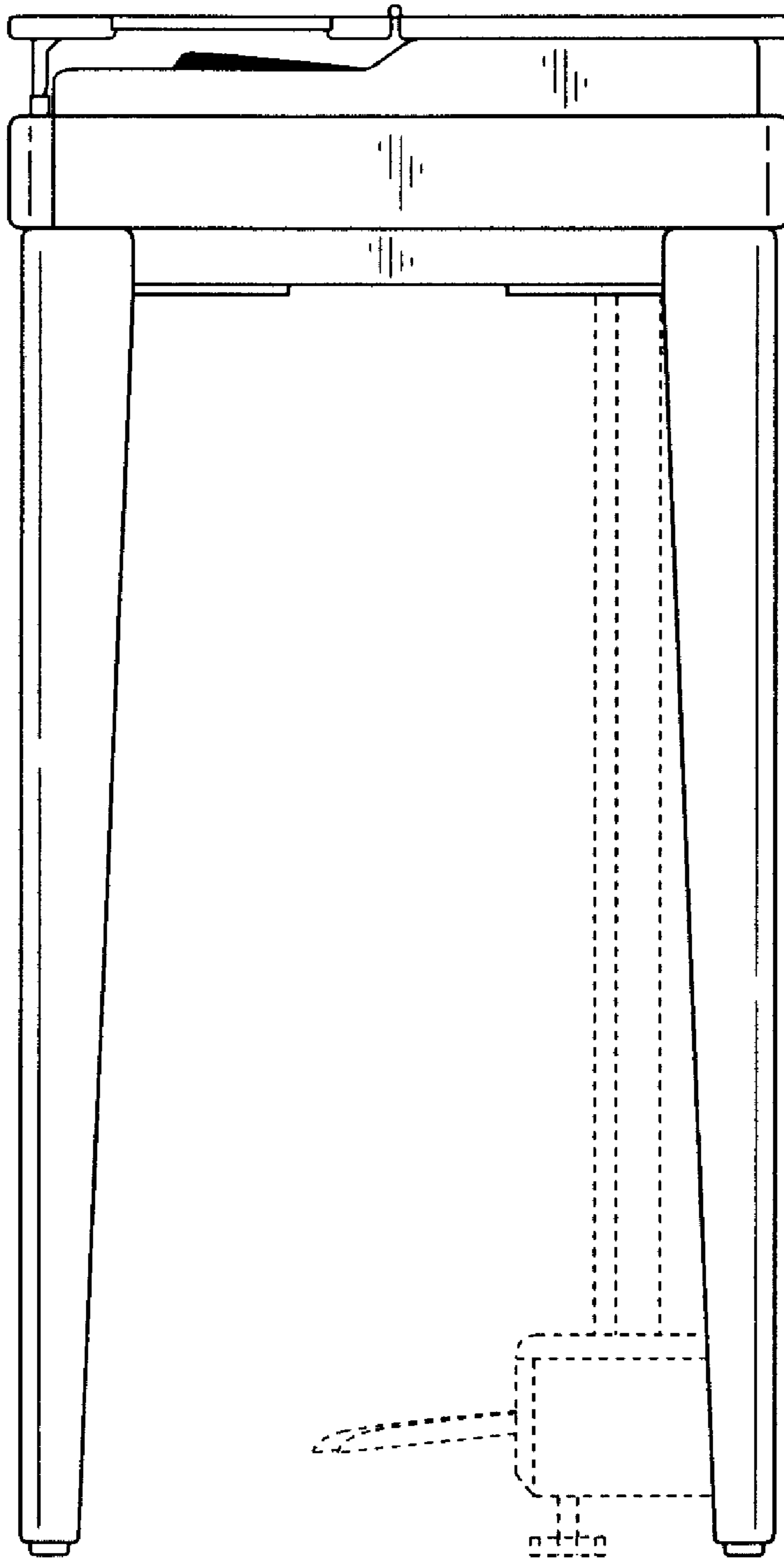


FIG. 10