



US00D585927S

(12) **United States Design Patent**
Sheard et al.

(10) **Patent No.:** **US D585,927 S**
(45) **Date of Patent:** **** Feb. 3, 2009**

(54) **HANDHELD THERMAL IMAGER**
(75) Inventors: **Justin M. Sheard**, Rogers, MN (US);
Ferdinand Y. Laurino, Seattle, WA
(US); **Michael E. Loukusa**, Buffalo,
MN (US); **Christopher W. Lagerberg**,
Seattle, WA (US)

(73) Assignee: **Fluke Corporation**, Everett, WA (US)

(**) Term: **14 Years**

(21) Appl. No.: **29/296,639**

(22) Filed: **Oct. 25, 2007**

(51) **LOC (9) Cl.** **16-01**
(52) **U.S. Cl.** **D16/206**
(58) **Field of Classification Search** D16/130,
D16/200, 201, 203, 206, 208, 218, 243; 250/330,
250/332, 333; 348/143, 222.1, 373-376;
396/419

See application file for complete search history.

(56) **References Cited**

U.S. PATENT DOCUMENTS

D196,201 S	9/1963	Hertzler	
D205,914 S	10/1966	Levin	
D207,811 S	5/1967	Bjorn	
4,005,605 A	2/1977	Michael	
4,422,745 A *	12/1983	Hopson	396/419
4,634,294 A	1/1987	Christol et al.	
D317,414 S	6/1991	Lanci et al.	
D321,487 S	11/1991	Manno	
D348,276 S	6/1994	Hastings	
D370,922 S *	6/1996	Onoda et al.	D16/208
D388,107 S *	12/1997	Huckins	D16/208
D445,817 S	7/2001	Okuley	
6,319,199 B1	11/2001	Sheehan et al.	
6,440,084 B1	8/2002	Gentempo et al.	
D464,666 S	10/2002	Salapow et al.	

6,486,473 B2	11/2002	Salapow et al.	
D466,540 S	12/2002	Lannstedt et al.	
D472,911 S *	4/2003	Bielefeld	D16/130
D487,577 S	3/2004	Sheard et al.	
6,798,587 B2	9/2004	Irani	
D525,640 S	7/2006	Bloch et al.	
7,157,705 B2	1/2007	Hamrelius et al.	
D540,838 S	4/2007	Aronsson et al.	
7,250,603 B1 *	7/2007	Nugent	250/330
2006/0249679 A1	11/2006	Johnson et al.	

OTHER PUBLICATIONS

Mikron Infrared, Inc., M7800 Economical, Fully Radiometric, Hand-Held Thermal Imager with Visual Camera, Datasheet, Rev. 032007, Hancock, MI.

(Continued)

Primary Examiner—Adir Aronovich

(74) *Attorney, Agent, or Firm*—Fredrikson & Byron, P.A.

(57) **CLAIM**

The ornamental design for a handheld thermal imager, as shown and described.

DESCRIPTION

FIG. 1 is a perspective view taken from the rear and the right side of the handheld thermal imager of our design;

FIG. 2 is a left side view thereof;

FIG. 3 is a right side view thereof;

FIG. 4 is a rear view thereof;

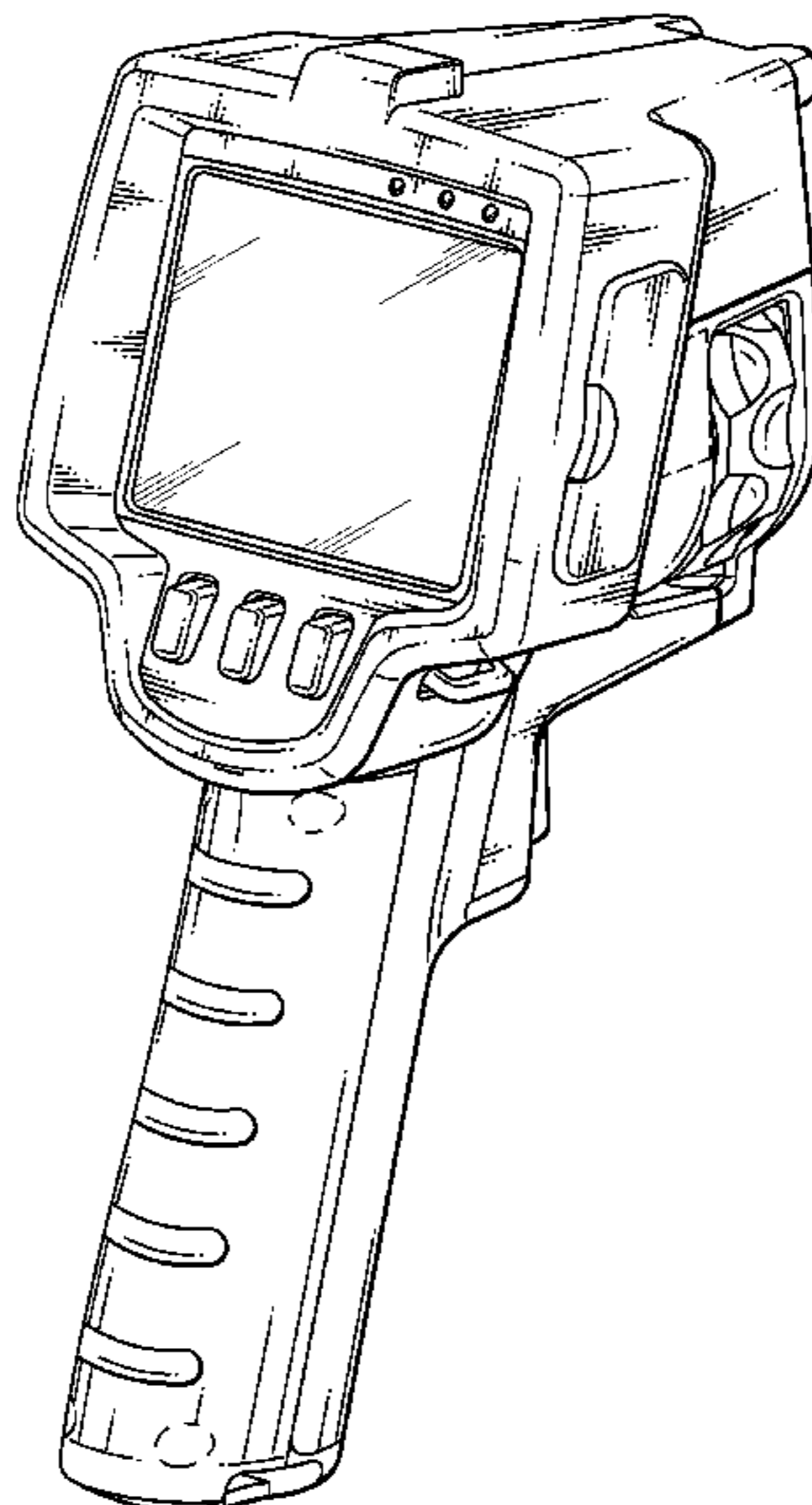
FIG. 5 is a front view thereof;

FIG. 6 is a top view thereof; and,

FIG. 7 is a bottom view thereof.

The portions of the handheld thermal imager in broken lines are shown for illustrative purposes only and form no part of the claimed design.

1 Claim, 7 Drawing Sheets



OTHER PUBLICATIONS

Fluke Corporation, Fluke IR InSight Thermal Imagers, Brochure, Jun. 2006 (2694809 D-EN-N Rev A).

Fluke Corporation, Fluke TiR Series Thermal Imagers, Brochure, Jul. 2006 (2694792 D-EN-N-Rev A).

Flir Systems, ThermoCAM BCAM SD, Brochure from website: http://www.flirthermography.com/cameras/infrared_camera_complete/1106/, date pulled from website: Aug. 29, 2007.

Flir Systems, BCAMYour Building Inspector, Brochure from website: http://www.flirthermography.com/cameras/infrared_camera_complete/1091/, date pulled from website: Aug. 29, 2007.

Fluke Corporation, Fluke Ti20 Thermal Imager, Brochure from website: [http://us.fluke.com/usen/products/features.htm?cs_id=35635\(FlukeProducts\)&category__T](http://us.fluke.com/usen/products/features.htm?cs_id=35635(FlukeProducts)&category__T), 1995-2007 Fluke Corporation, date pulled from website: Aug. 29, 2007.

Fluke Corporation, Fluke Ti30 Thermal Imager, Brochure from website: [http://us.fluke.com/usen/products/features.htm?cs_id=34645\(FlukeProducts\)&category__T](http://us.fluke.com/usen/products/features.htm?cs_id=34645(FlukeProducts)&category__T), 1995-2007 Fluke Corporation, date pulled from website: Aug. 29, 2007.

* cited by examiner

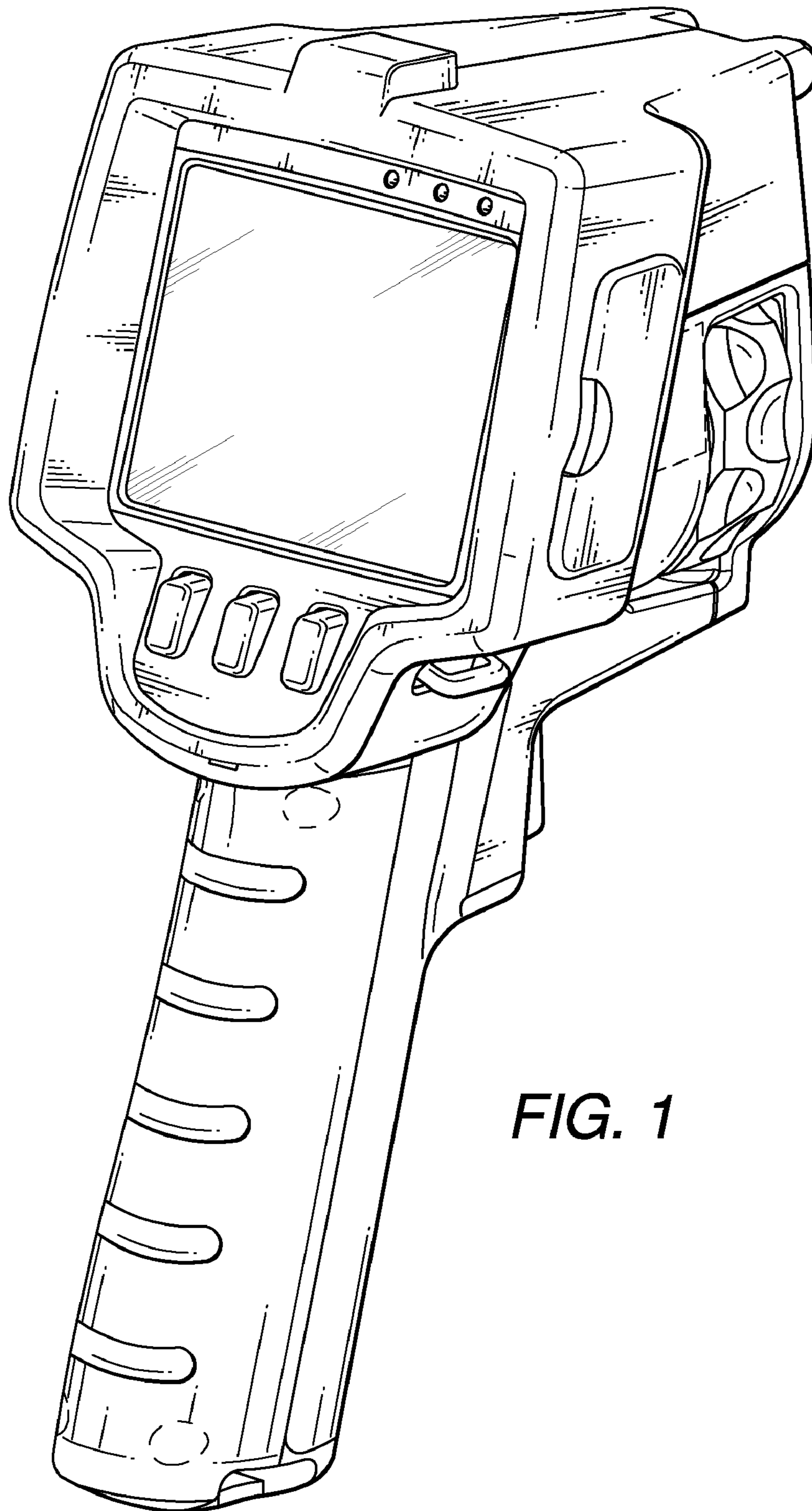


FIG. 1

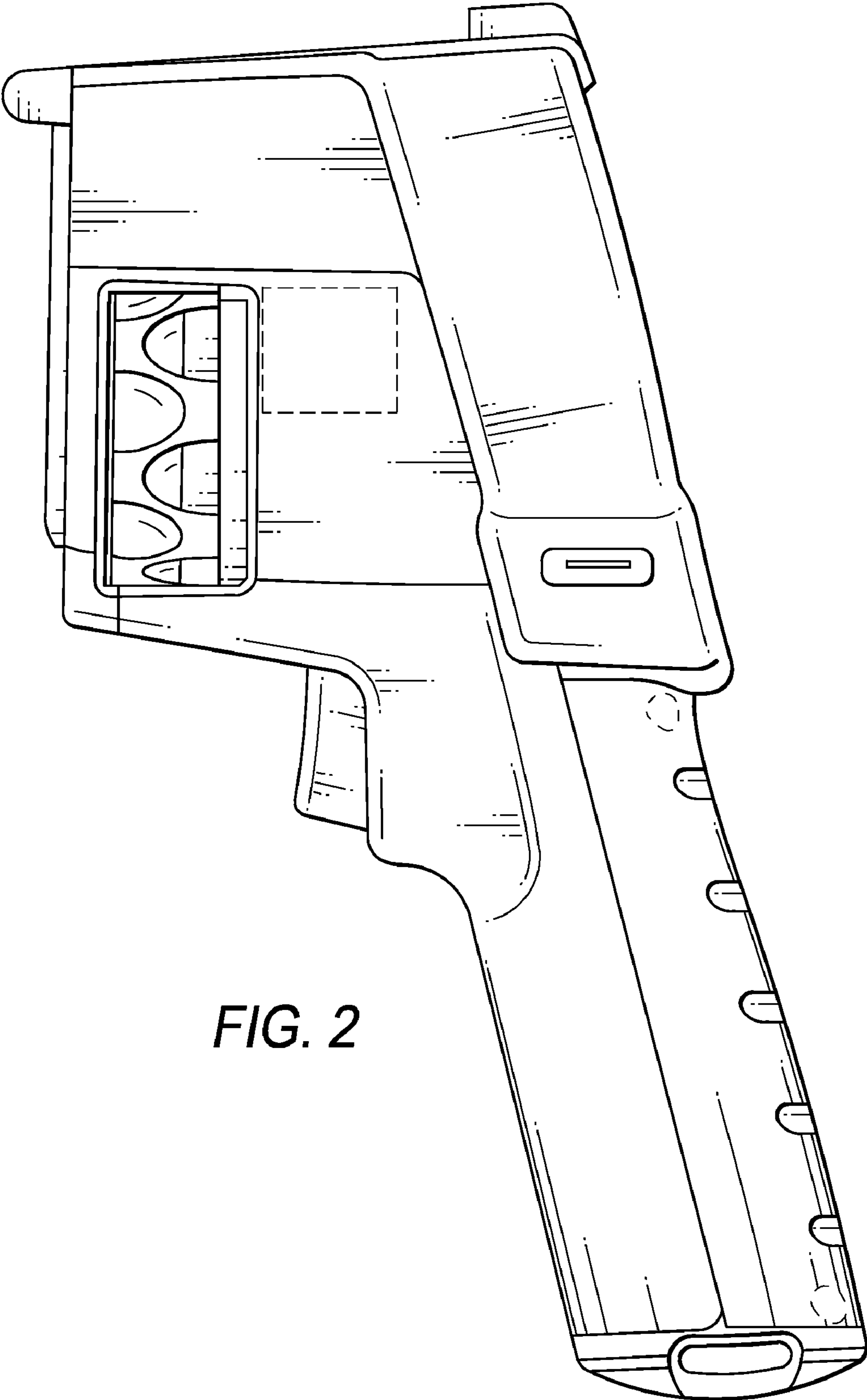


FIG. 2

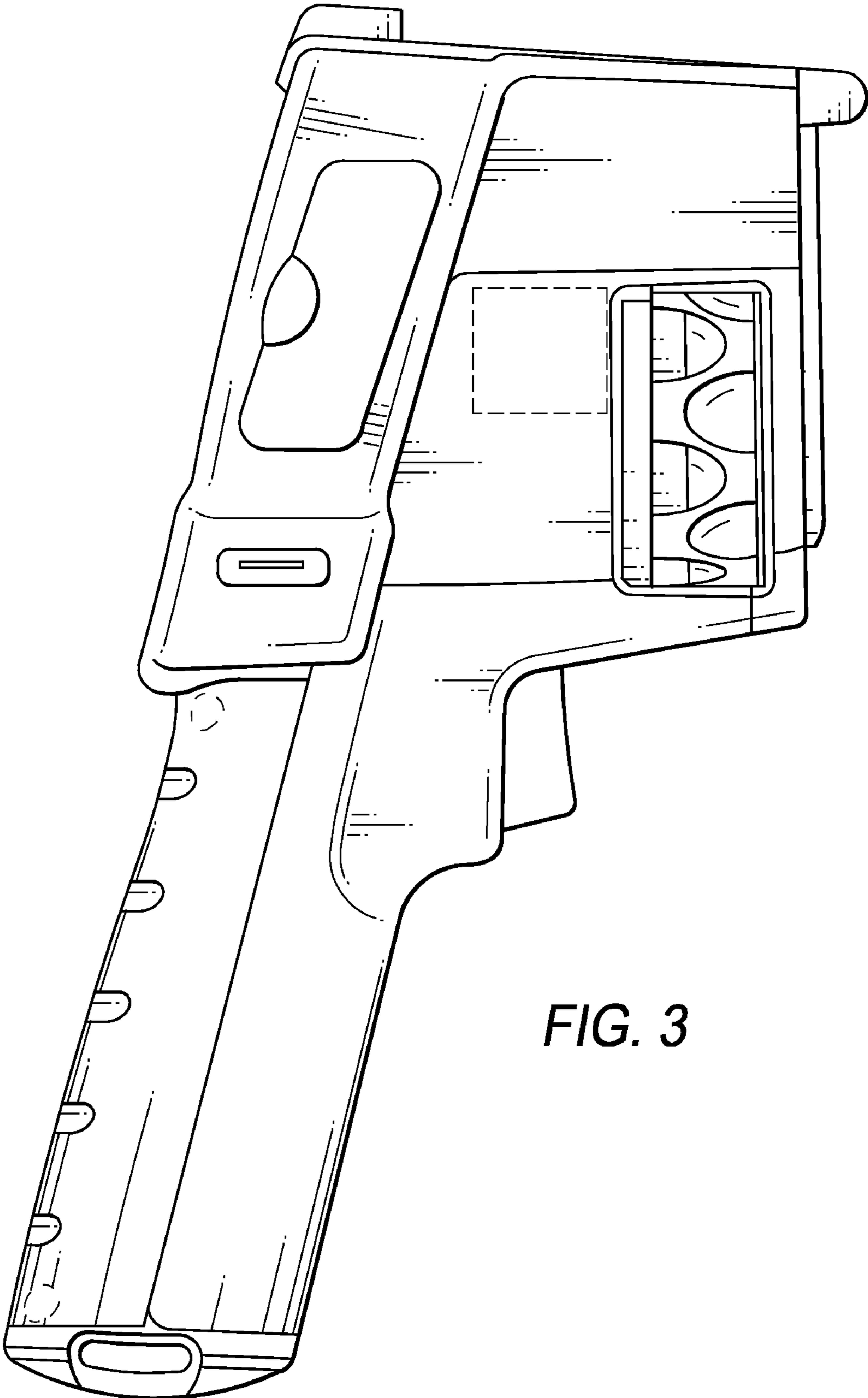


FIG. 3

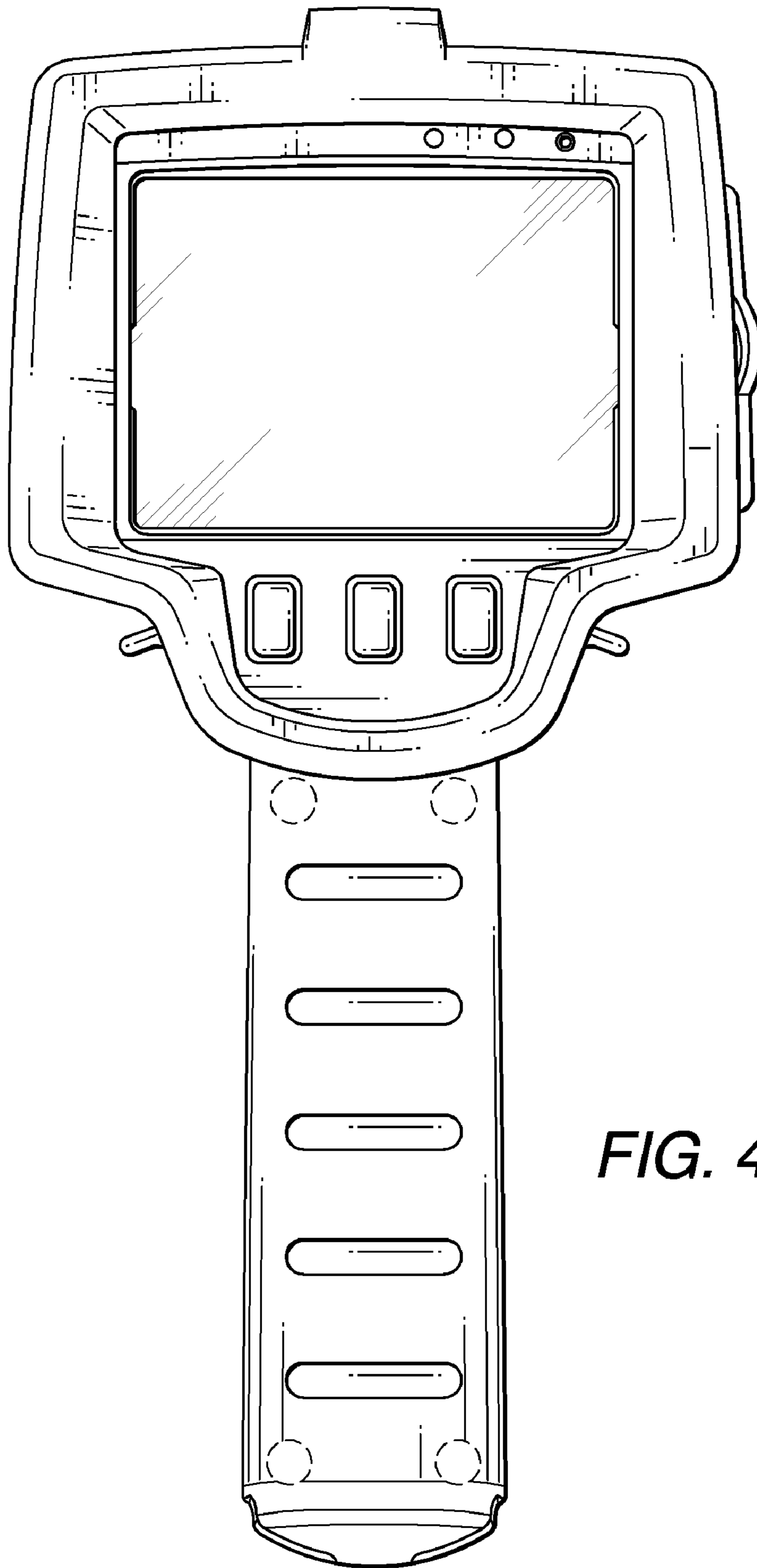


FIG. 4

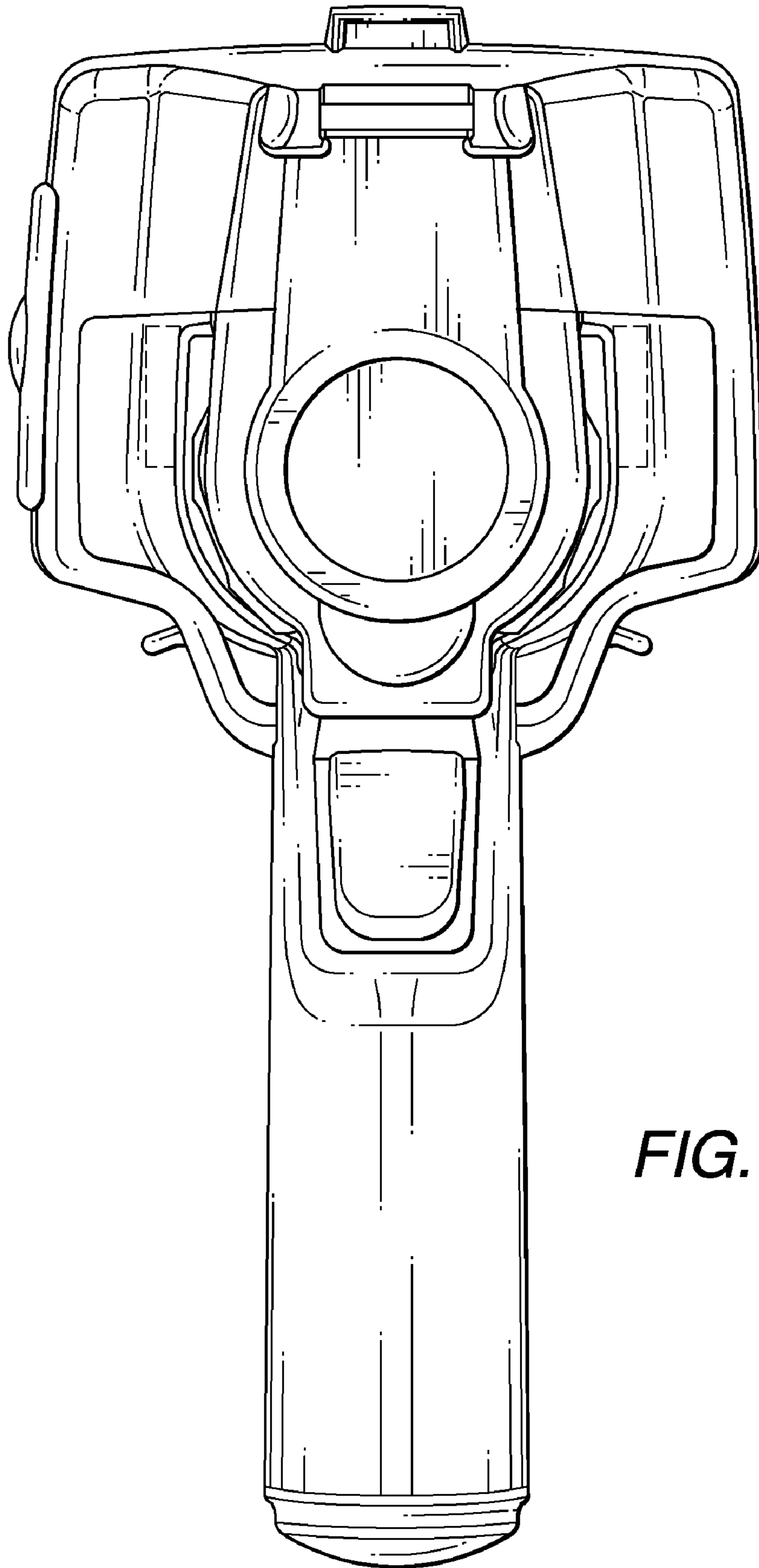


FIG. 5

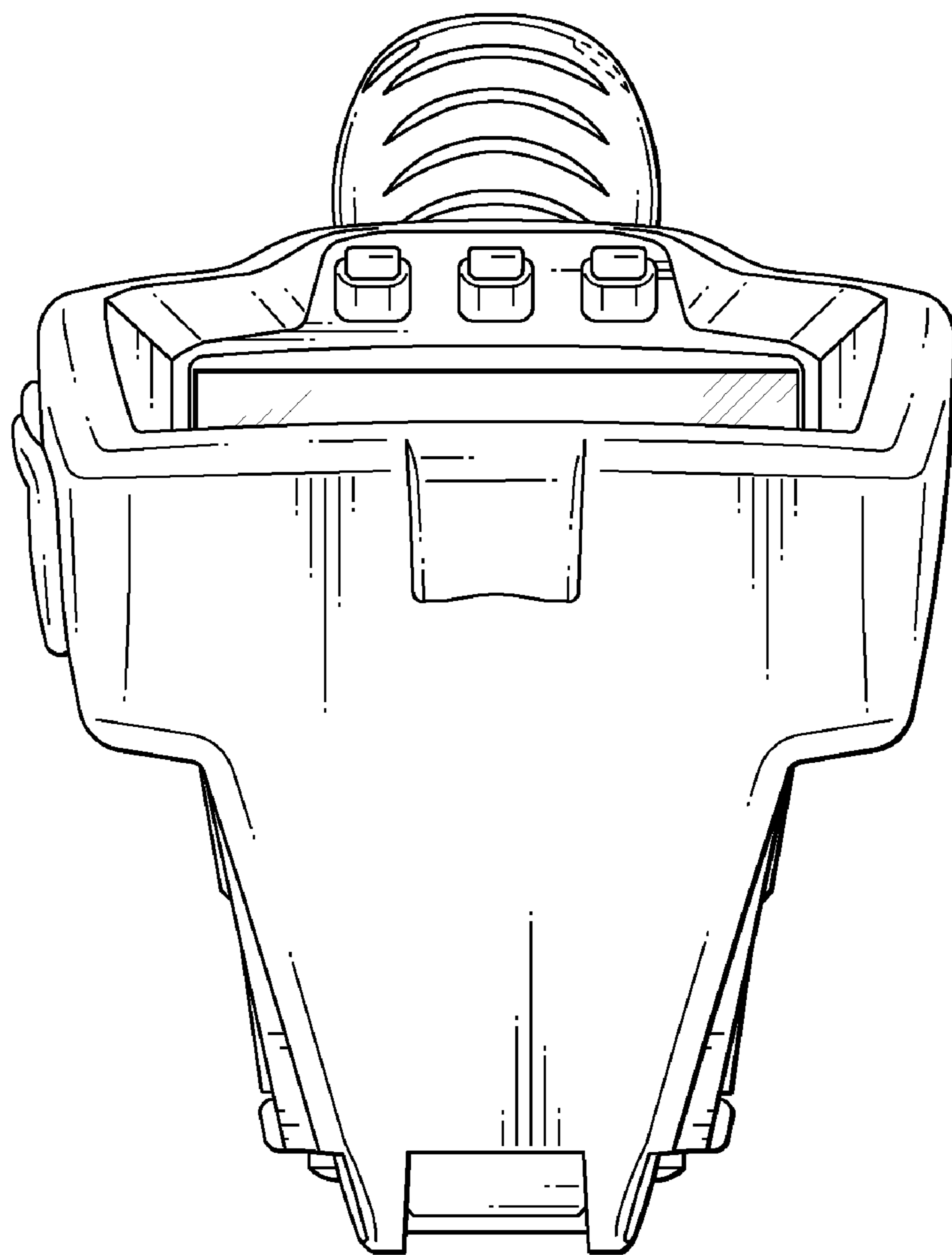


FIG. 6

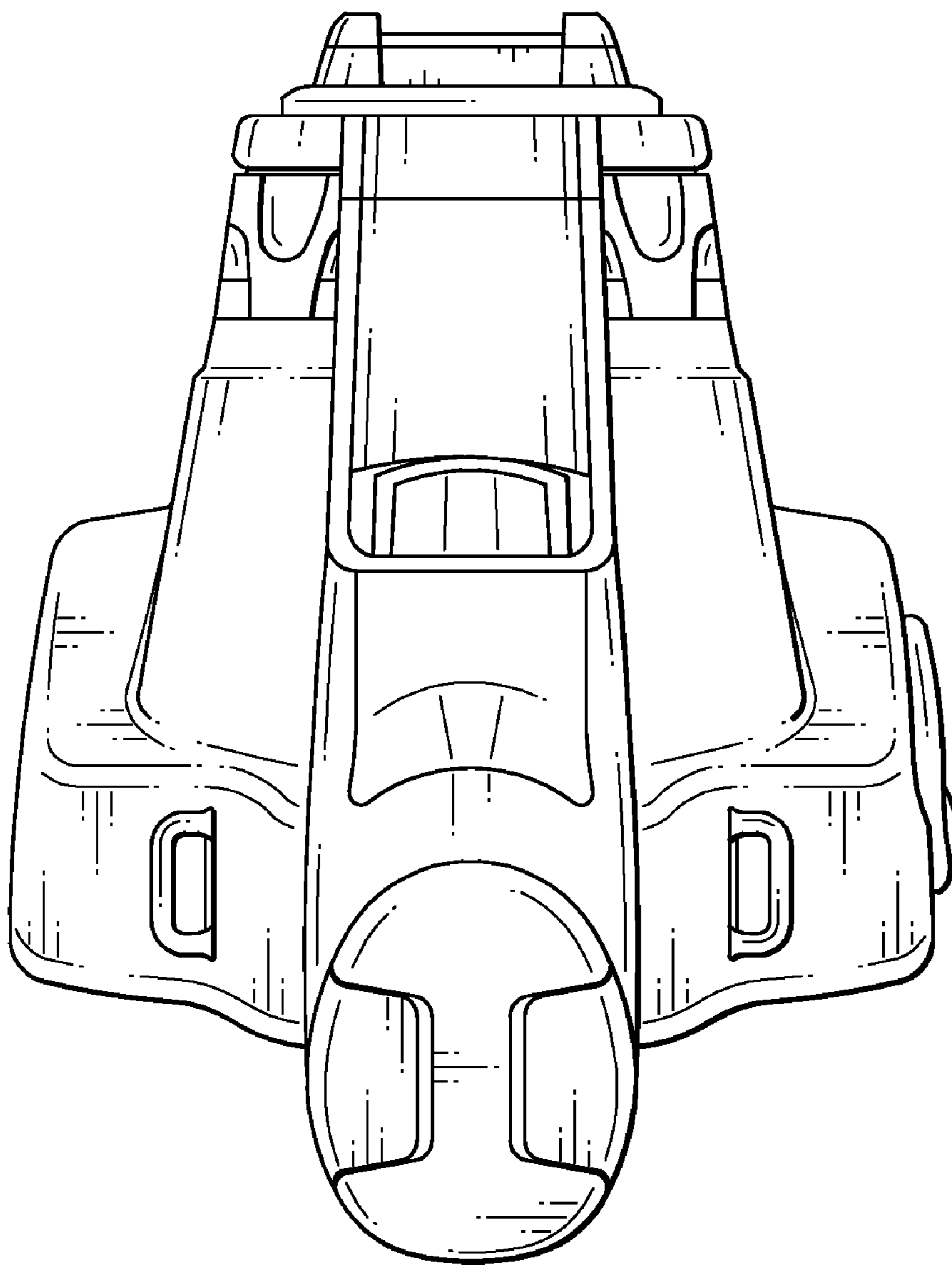


FIG. 7