



US00D585926S

(12) **United States Design Patent**
Su et al.

(10) **Patent No.:** **US D585,926 S**
(45) **Date of Patent:** **** Feb. 3, 2009**

(54) **MONITOR CAMERA**

(75) Inventors: **Chen-Shun Su**, Keelung (TW); **Chun-I Huang**, Taipei (TW)

(73) Assignee: **Cwell Vision Corporatio**, Taipei (TW)

(**) Term: **14 Years**

(21) Appl. No.: **29/276,057**

(22) Filed: **Jan. 12, 2007**

(51) **LOC (9) Cl.** **16-01**

(52) **U.S. Cl.** **D16/203**

(58) **Field of Classification Search** D16/200–205,
D16/208, 218; 348/143, 151, 373–376; 396/427,
396/433, 535

See application file for complete search history.

(56) **References Cited**

U.S. PATENT DOCUMENTS

D349,714 S *	8/1994	Hasegawa	D16/203
D424,087 S *	5/2000	Frick et al.	D16/203
D481,407 S *	10/2003	Alessio	D16/203
6,783,286 B2 *	8/2004	Maeda et al.	396/427

D555,691 S *	11/2007	Kato et al.	D16/203
D556,232 S *	11/2007	Yoneji	D16/203
7,306,383 B2 *	12/2007	Jones et al.	348/373

* cited by examiner

Primary Examiner—Adir Aronovich

(74) *Attorney, Agent, or Firm*—WPAT., P.C.; Justin King

(57) **CLAIM**

The ornamental design for a “monitor camera”, as shown and described.

DESCRIPTION

FIG. 1 is a perspective view of a “monitor camera” showing my design;

FIG. 2 is a front elevational view thereof;

FIG. 3 is a rear elevational view thereof;

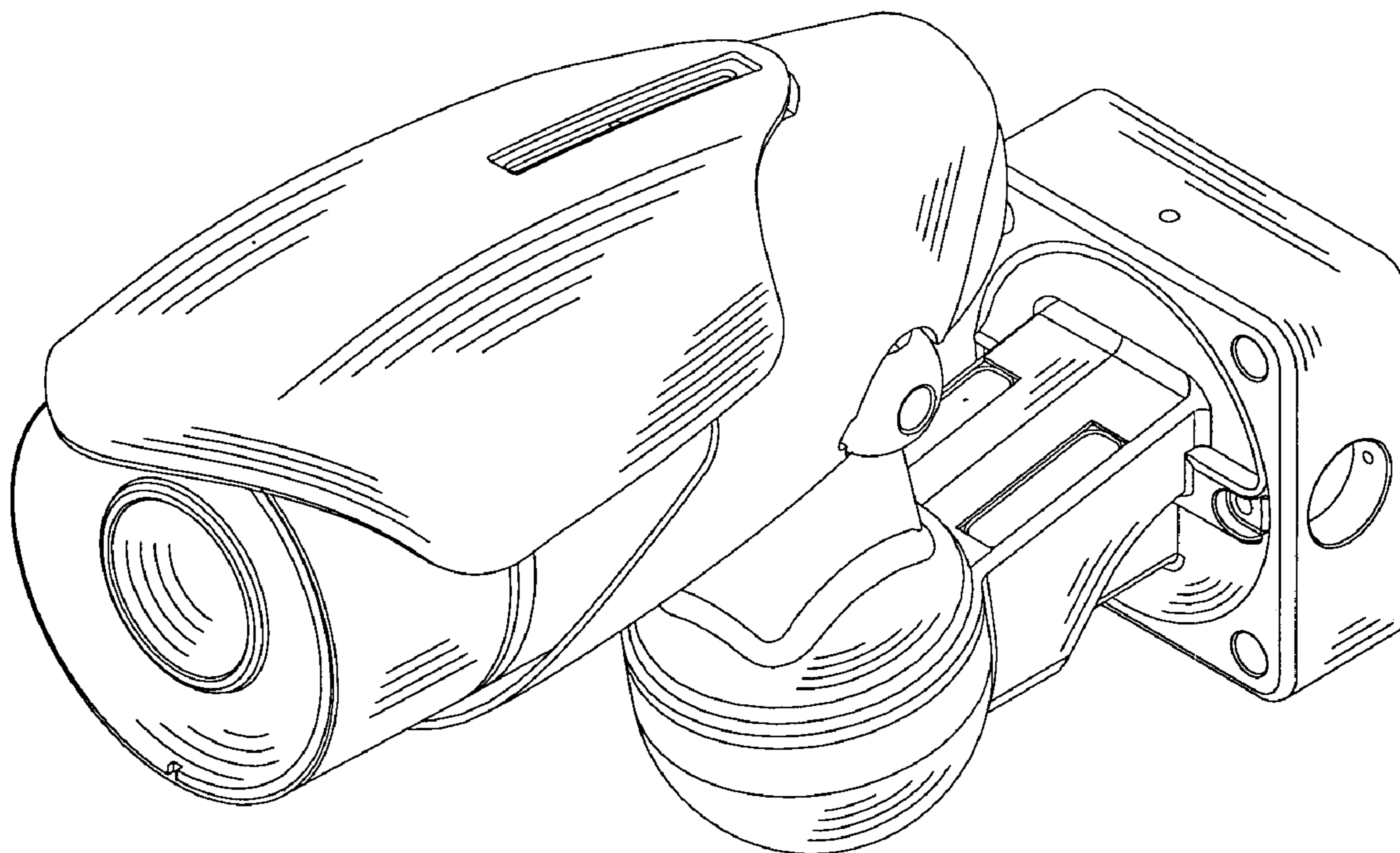
FIG. 4 is a left side elevational view thereof;

FIG. 5 is a right side elevational view thereof;

FIG. 6 is a top plan view thereof; and,

FIG. 7 is a bottom plan view thereof.

1 Claim, 6 Drawing Sheets



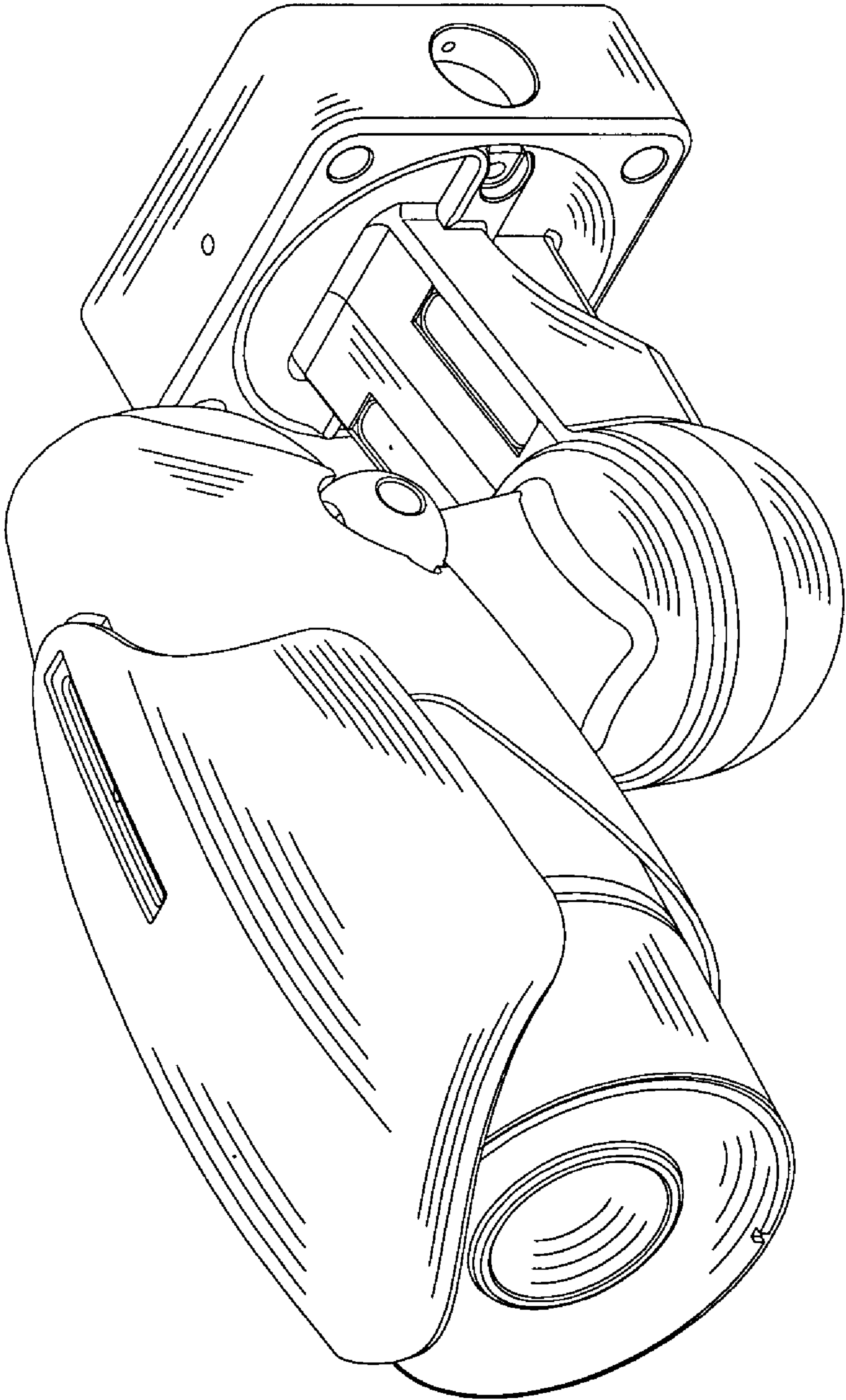


FIG. 1

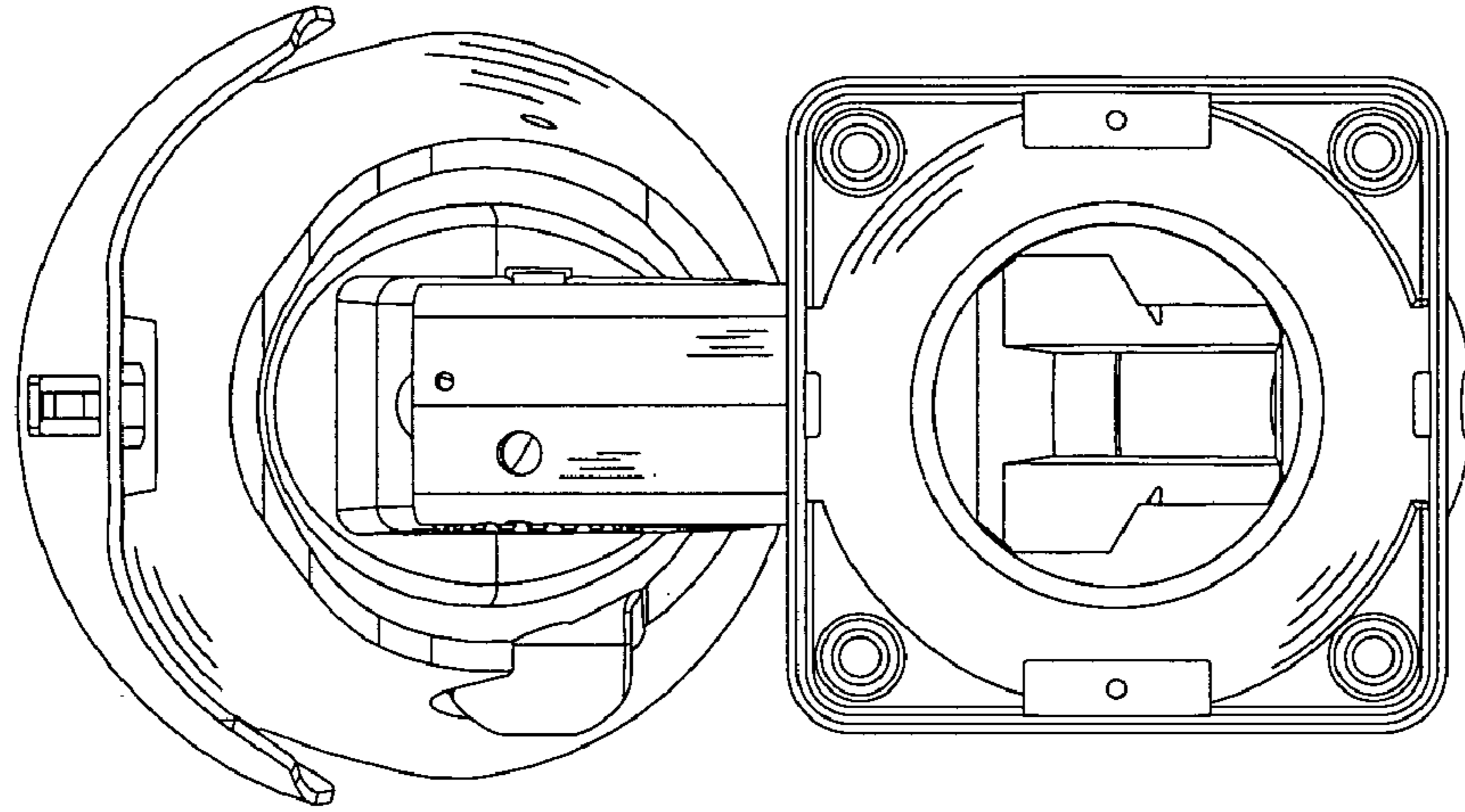


FIG. 3

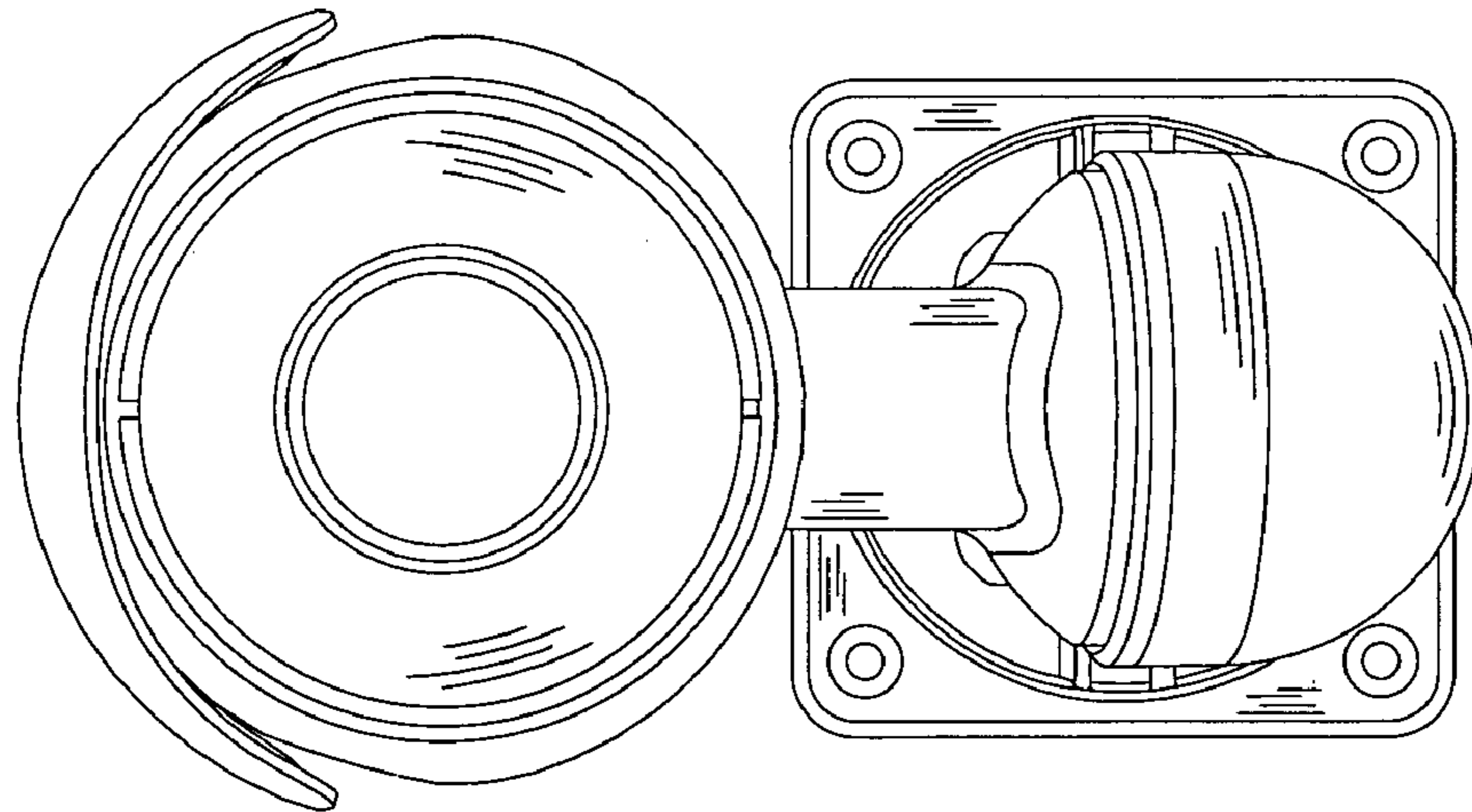


FIG. 2

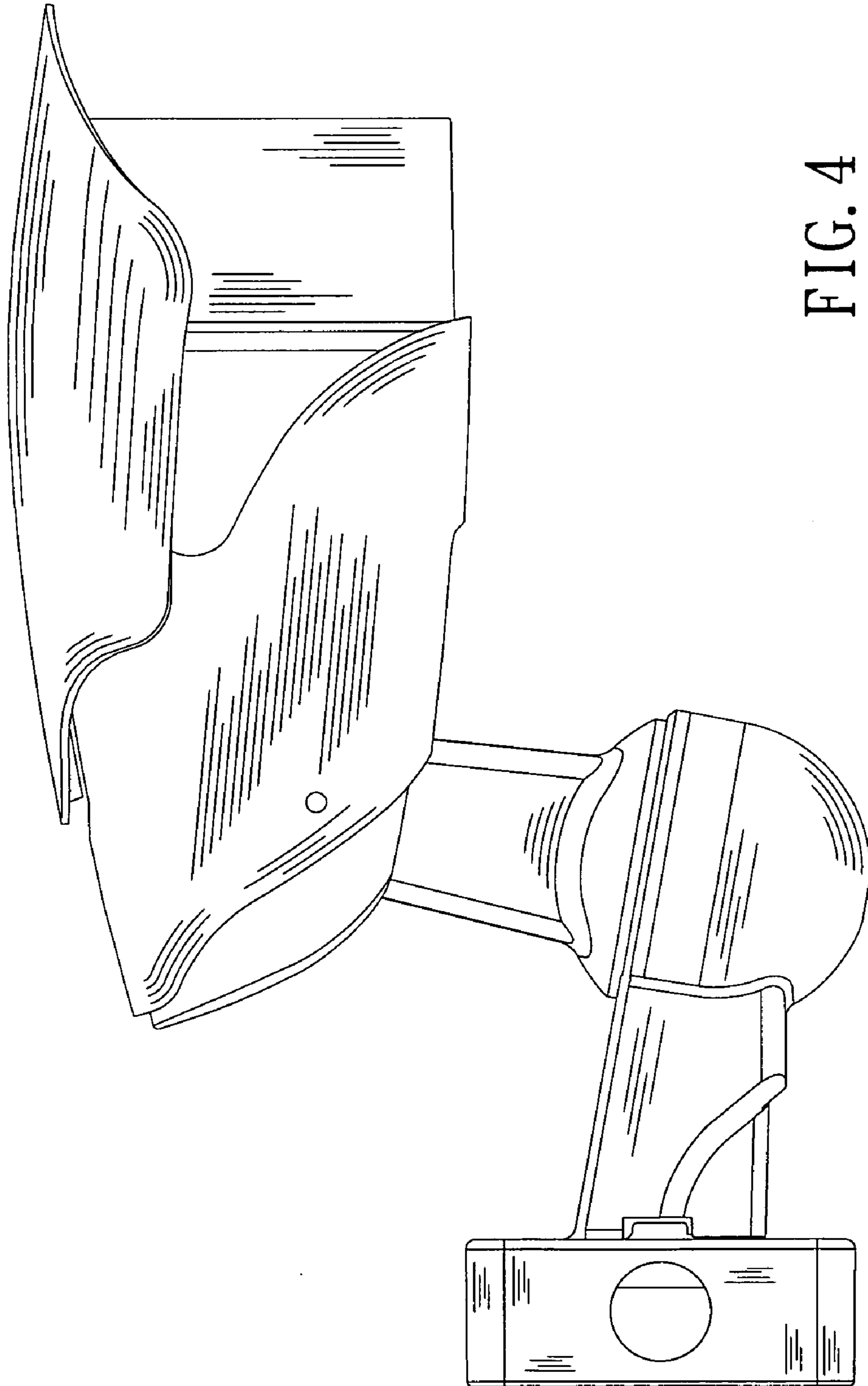


FIG. 4

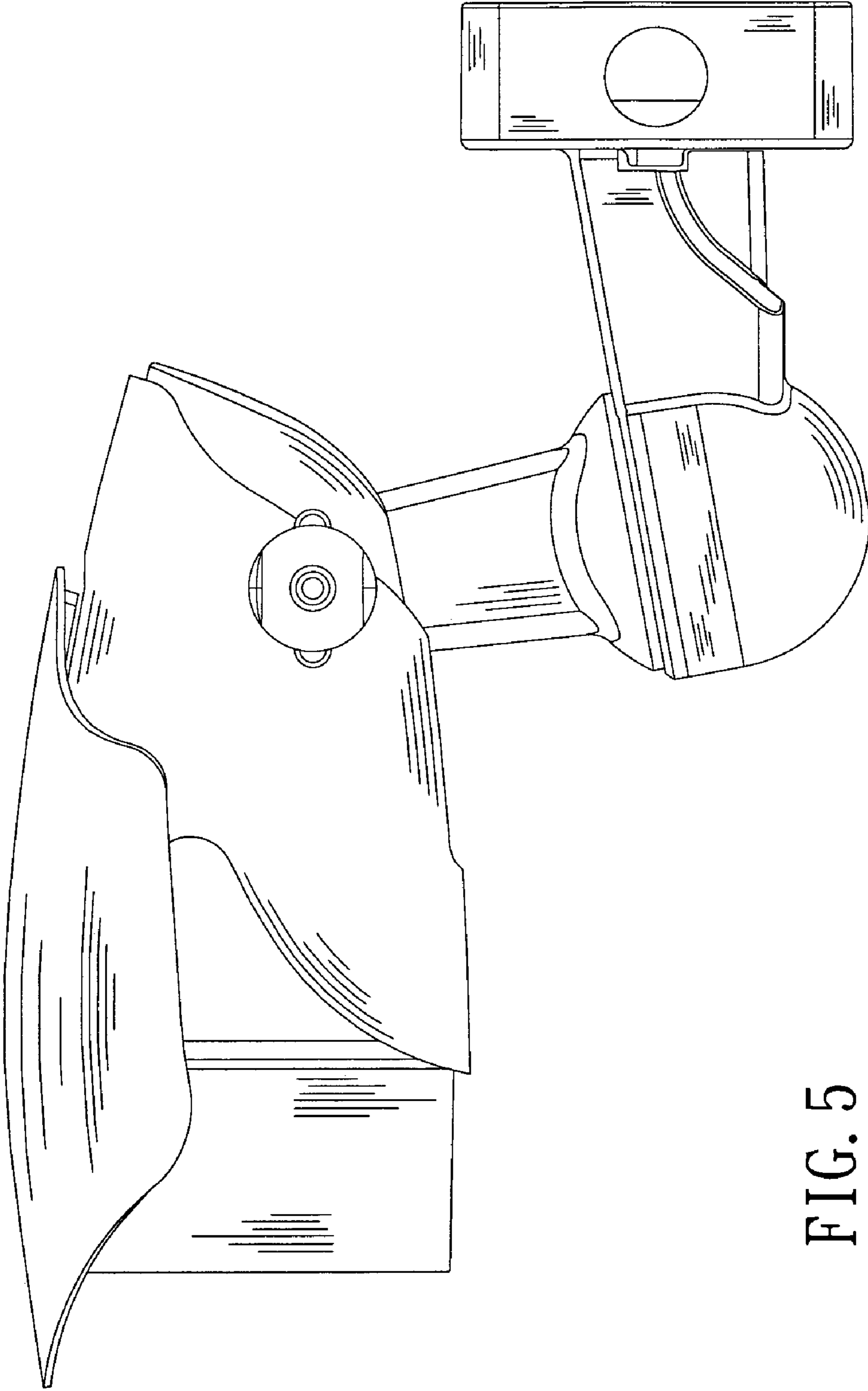


FIG. 5

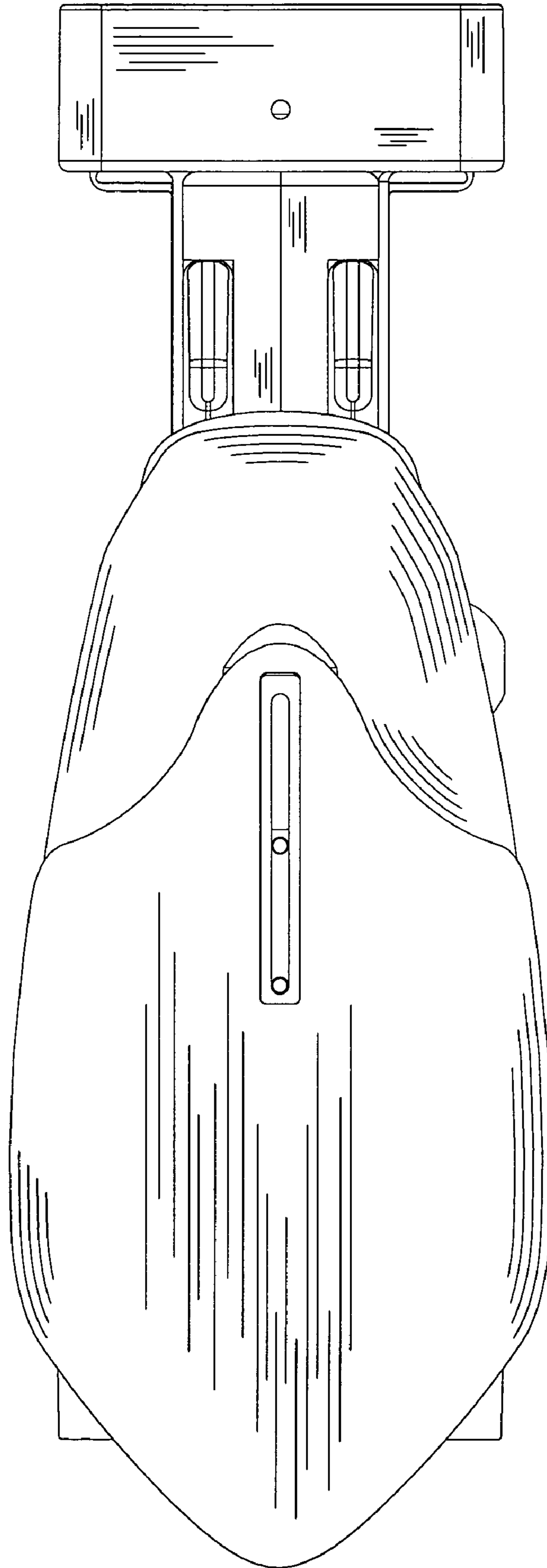


FIG. 6

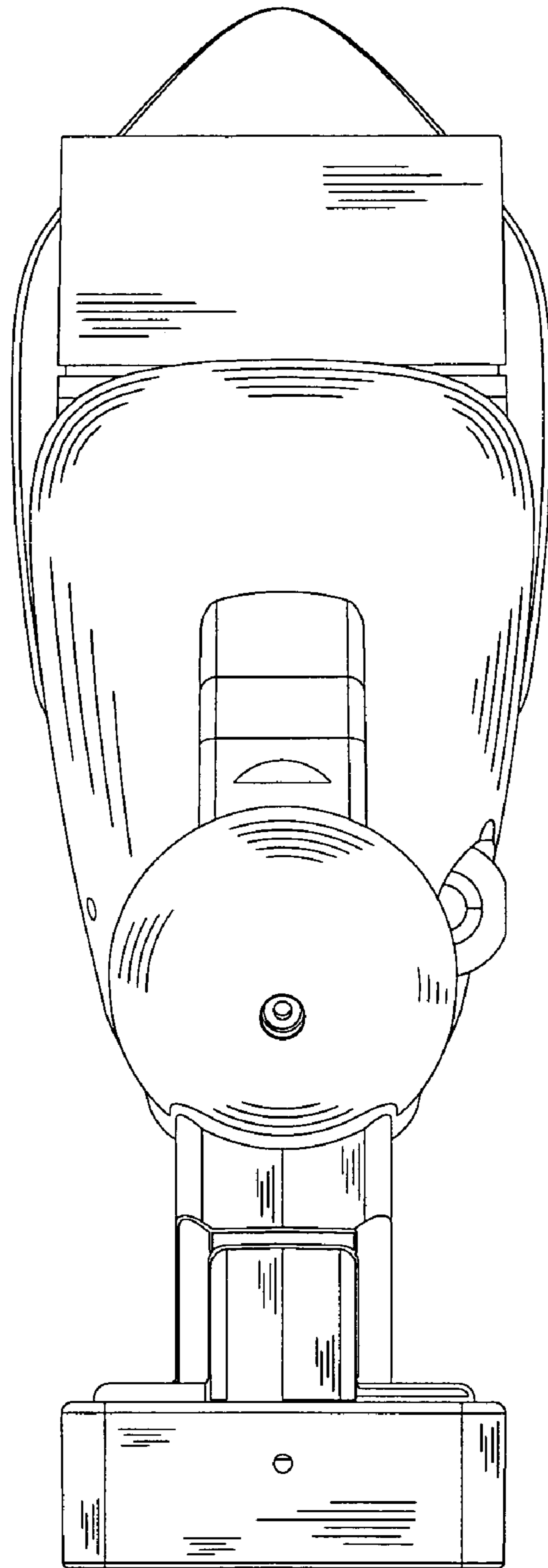


FIG. 7