



US00D585925S

(12) **United States Design Patent**
Kuo

(10) **Patent No.:** **US D585,925 S**

(45) **Date of Patent:** **** Feb. 3, 2009**

(54) **WEB CAMERA**

D527,755 S * 9/2006 Wu D16/202
7,333,134 B2 * 2/2008 Miyamoto 348/207.1
D564,004 S * 3/2008 Ikeda et al. D16/202

(75) Inventor: **Da Yong Kuo, Tu-Cheng (TW)**

(73) Assignee: **Cheng Uei Precision Industry Co., Ltd., Taipei Hsien (TW)**

* cited by examiner

Primary Examiner—Adir Aronovich

(74) *Attorney, Agent, or Firm*—Rosenberg, Klein & Lee

(**) Term: **14 Years**

(21) Appl. No.: **29/300,778**

(57) **CLAIM**

(22) Filed: **May 9, 2008**

The ornamental design for a web camera, as shown and described.

(51) **LOC (9) Cl.** **16-01**

(52) **U.S. Cl.** **D16/202**

(58) **Field of Classification Search** D16/200–205,
D16/208, 218; 348/14.08–14.09, 14.1, 373–376;
358/909.1; 396/535–541

See application file for complete search history.

DESCRIPTION

FIG. 1 is a perspective view of a web camera showing my new design;

FIG. 2 is a front elevational view thereof;

FIG. 3 is a rear elevational view thereof;

FIG. 4 is a left side elevational view thereof;

FIG. 5 is a right side elevational view thereof;

FIG. 6 is a top plan view thereof; and,

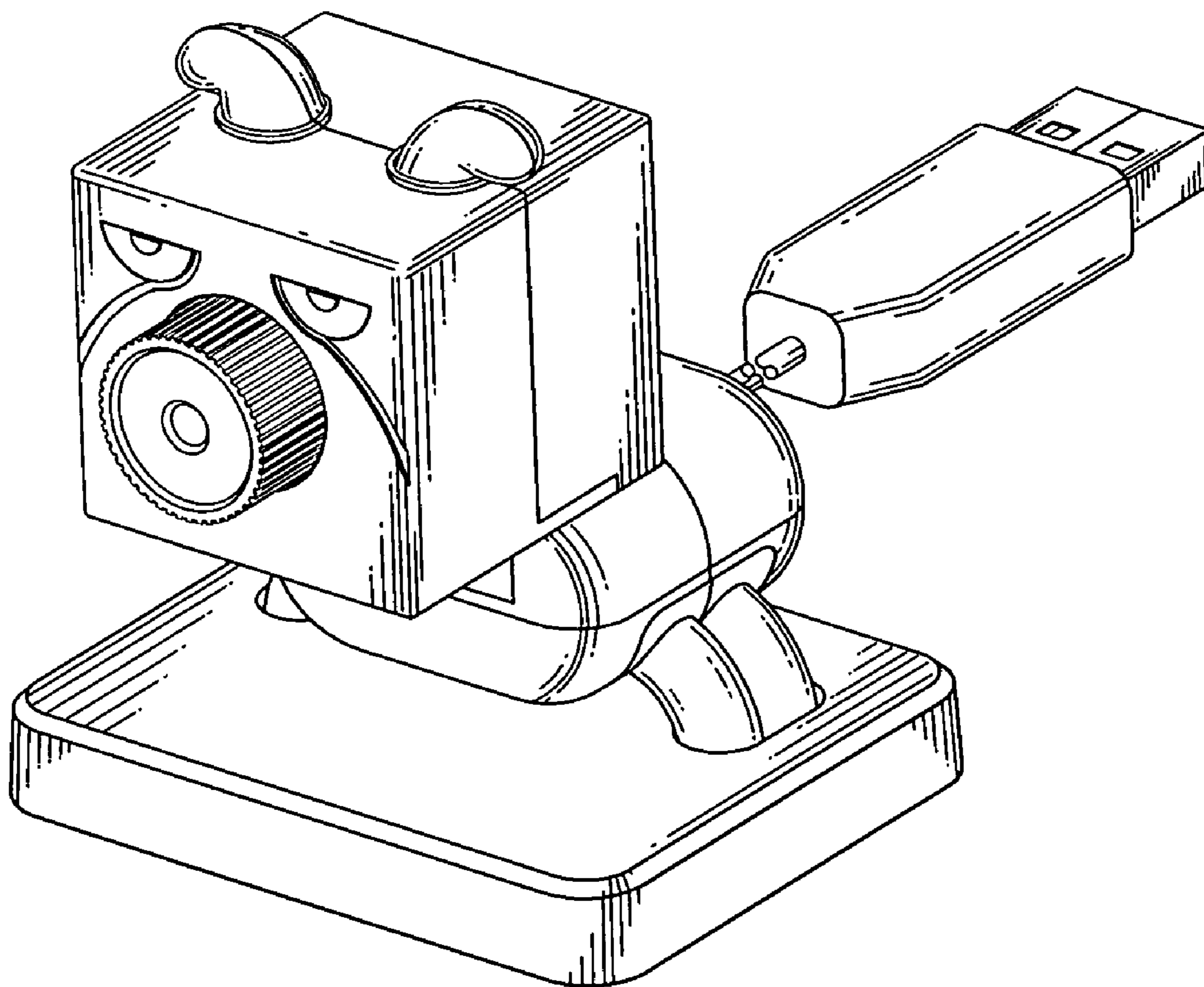
FIG. 7 is a bottom plan view thereof.

(56) **References Cited**

U.S. PATENT DOCUMENTS

D315,742 S * 3/1991 Matsumoto D16/203
D337,344 S * 7/1993 Bae D16/225
D396,869 S * 8/1998 Yamakawa et al. D16/202
5,808,663 A * 9/1998 Okaya 348/14.1
D433,431 S * 11/2000 Uehara et al. D16/202

1 Claim, 7 Drawing Sheets



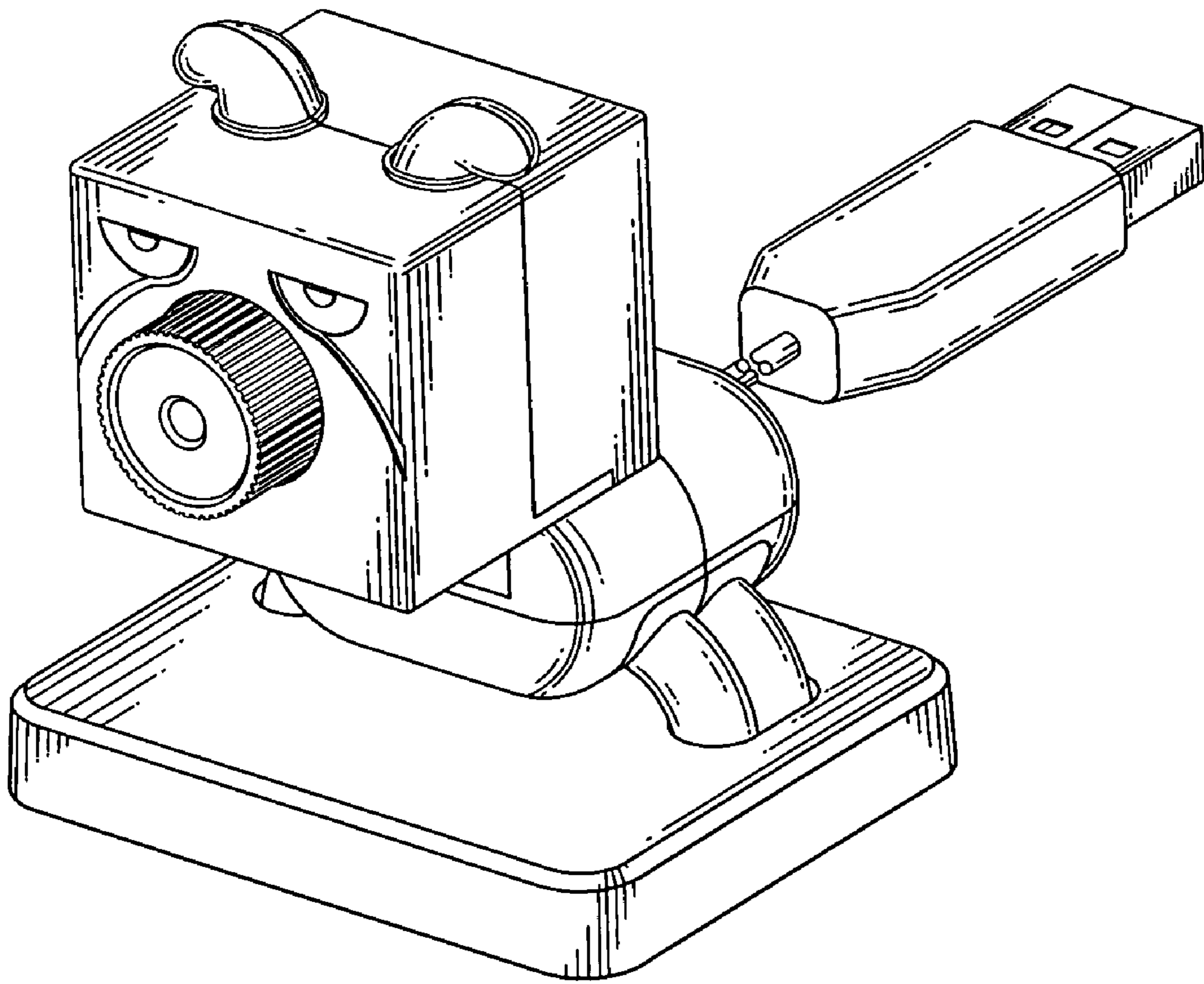


FIG. 1

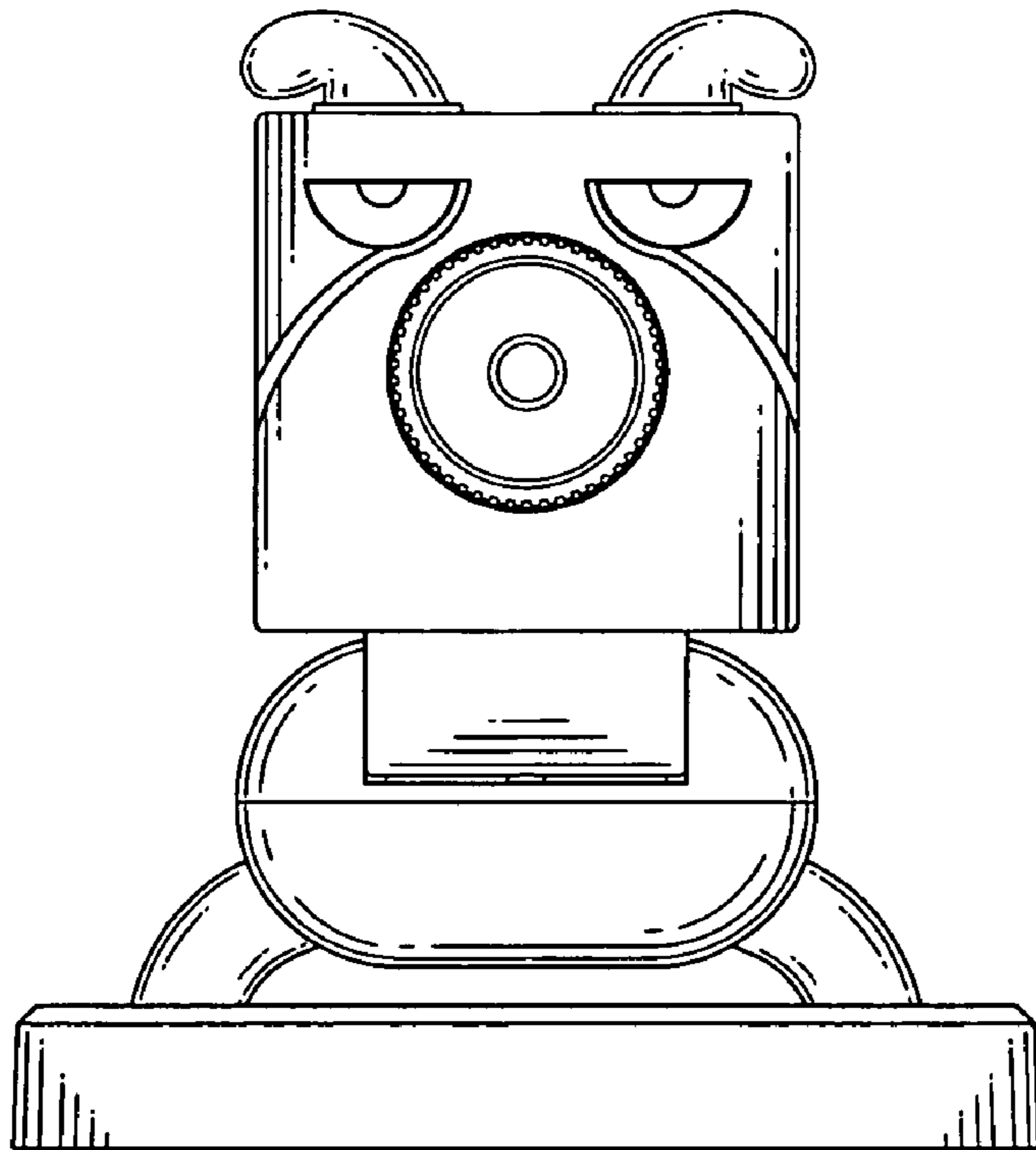


FIG. 2

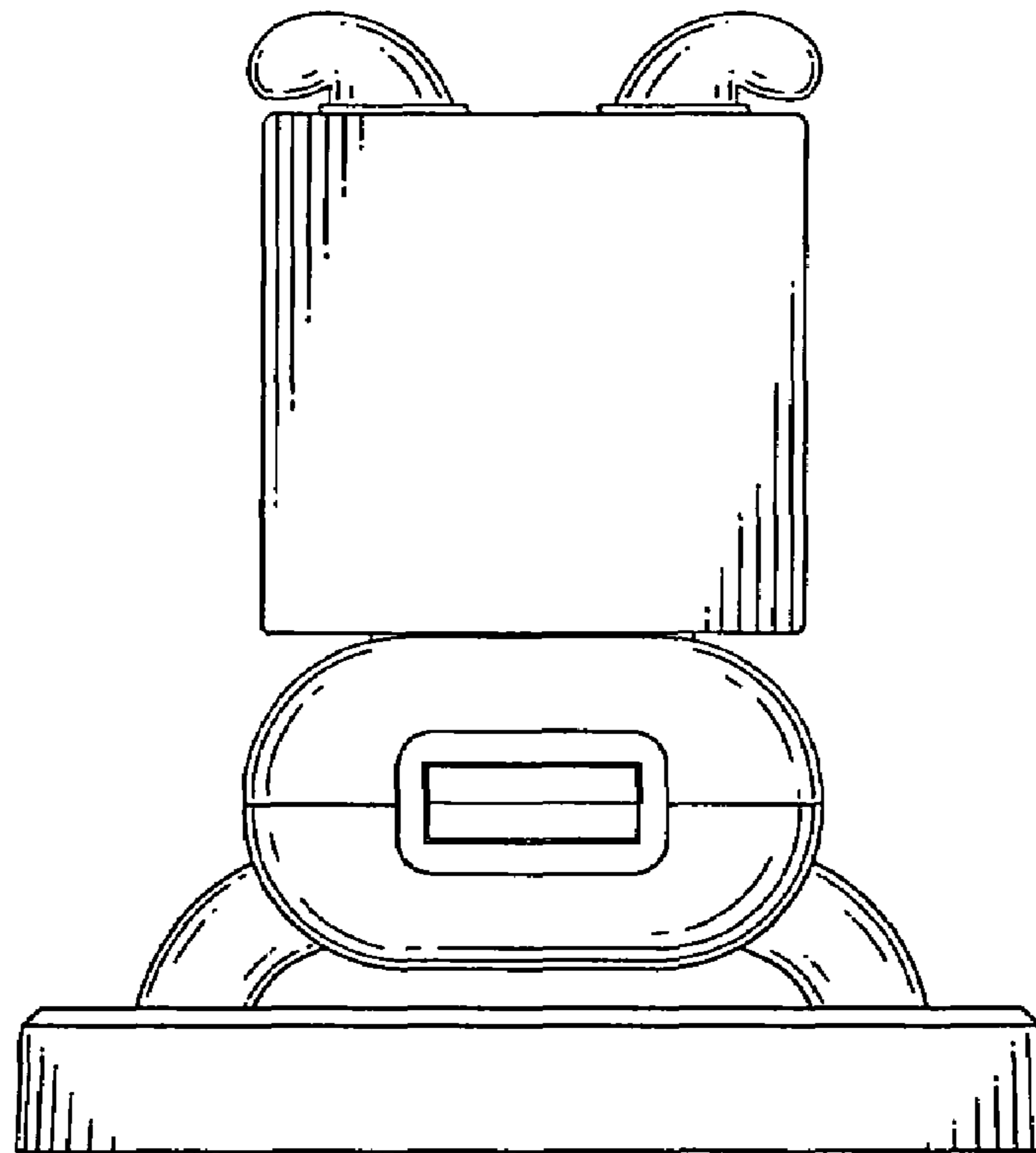


FIG. 3

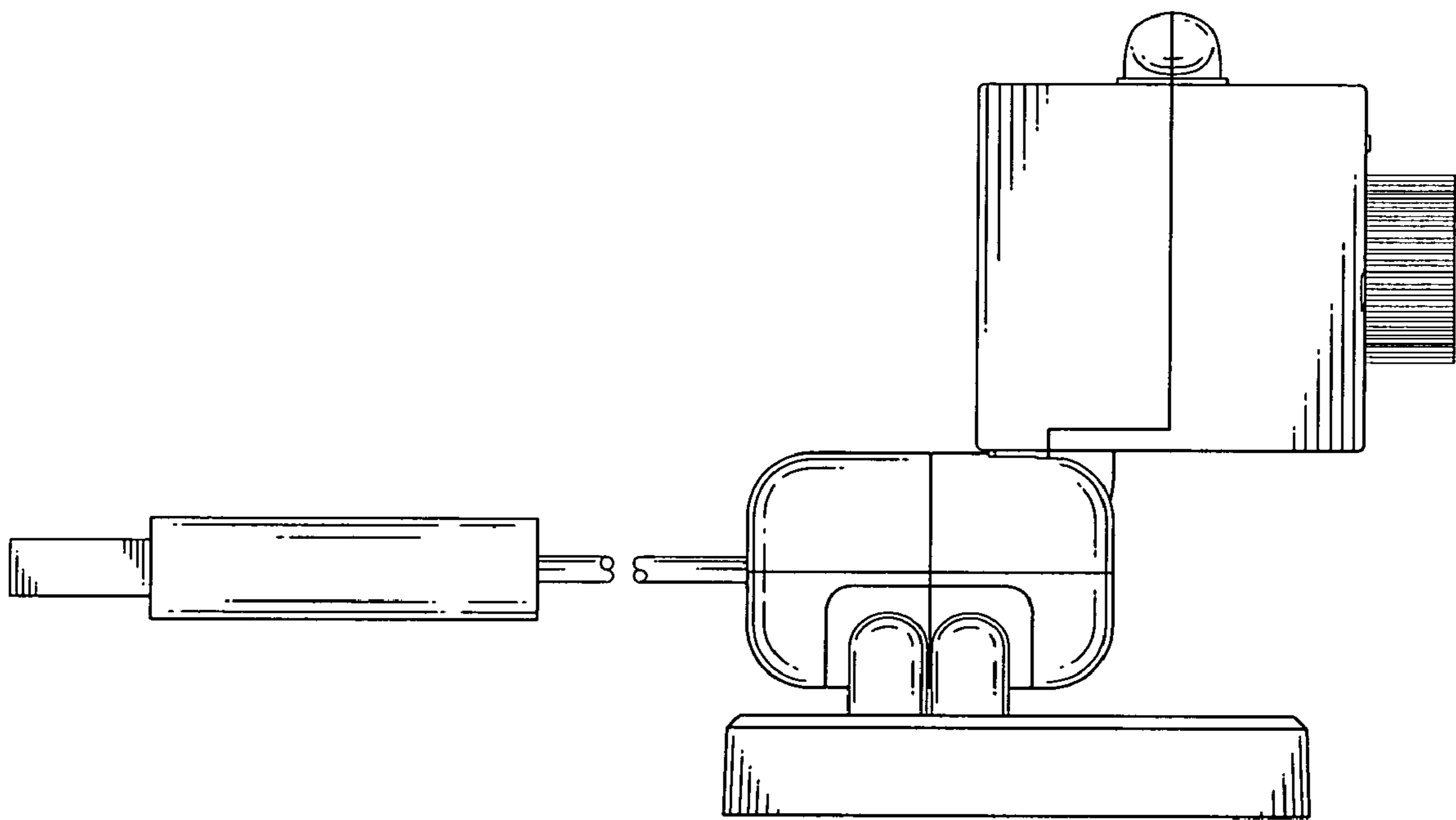


FIG. 4

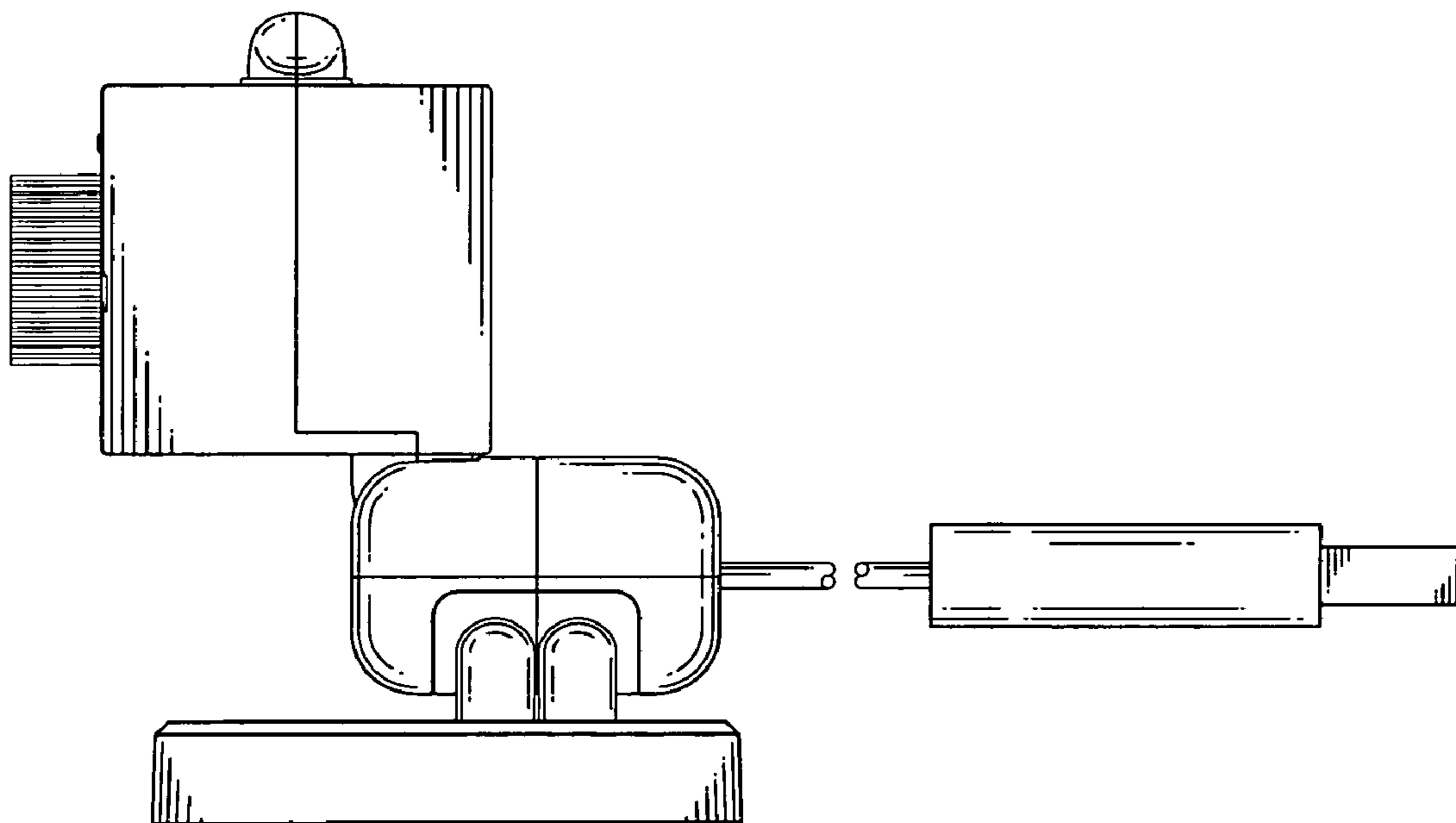


FIG. 5

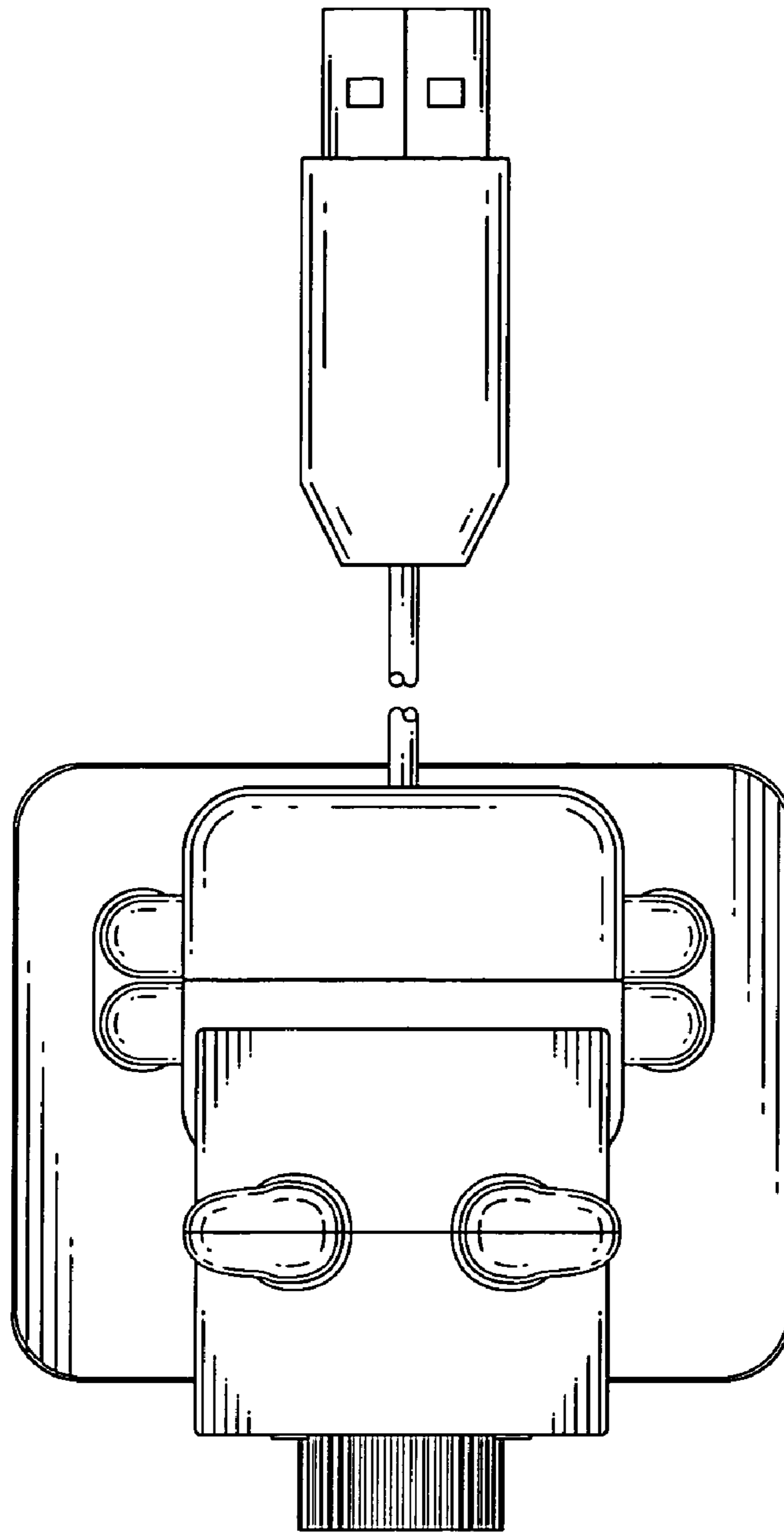


FIG. 6

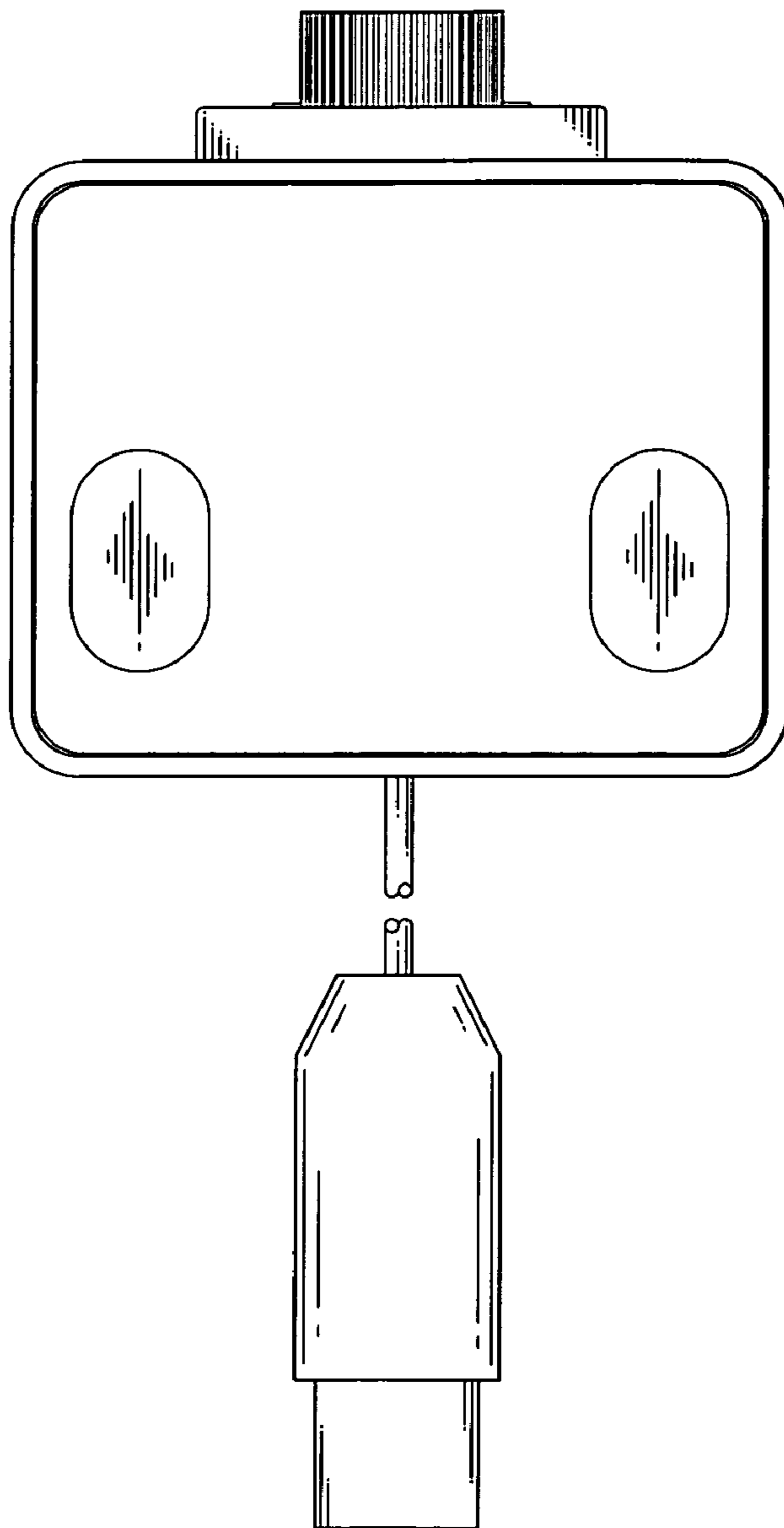


FIG. 7