



US00D585922S

(12) **United States Design Patent**
Curran et al.

(10) **Patent No.:** **US D585,922 S**
(45) **Date of Patent:** **** Feb. 3, 2009**

(54) **SEPARATION APPARATUS**

(75) Inventors: **Stephen John Curran**, York (GB);
Jonathan Nicholas Ridgway, York (GB)

(73) Assignee: **Smith & Nephew, Inc.**, Memphis, TN
(US)

(**) Term: **14 Years**

(21) Appl. No.: **29/322,167**

(22) Filed: **Jul. 30, 2008**

(51) **LOC (9) Cl.** **15-09**

(52) **U.S. Cl.** **D15/147**

(58) **Field of Classification Search** D15/147,
D15/199; D24/169, 213, 219; 210/232,
210/370, 380.1, 484, 489, 490; 494/10-12,
494/18, 28, 37, 45, 56, 57, 61, 64-70, 74-76,
494/79, 80, 84, 85

See application file for complete search history.

(56) **References Cited**

U.S. PATENT DOCUMENTS

5,096,573	A *	3/1992	Bermudez	210/85
D335,294	S *	5/1993	Vallien	D15/147
D371,198	S *	6/1996	Savage et al.	D24/169
D437,418	S *	2/2001	Suzuki et al.	D24/219
6,267,899	B1 *	7/2001	Greig et al.	210/781
D516,222	S *	2/2006	Mills	D24/219
D517,757	S *	3/2006	Santiago	D32/30
D525,890	S *	8/2006	Inagaki	D10/81
D559,037	S *	1/2008	Johansson et al.	D7/412

2003/0220181	A1 *	11/2003	Hall et al.	494/12
2004/0195190	A1 *	10/2004	Min et al.	210/787
2008/0087614	A1 *	4/2008	Min et al.	210/789
2008/0206098	A1 *	8/2008	Tsutsumida et al.	422/67

* cited by examiner

Primary Examiner—Sandra Snapp

Assistant Examiner—Patricia Palasik

(74) *Attorney, Agent, or Firm*—David A. Chambers

(57) **CLAIM**

The ornamental design for a separation apparatus, substantially as shown and described.

DESCRIPTION

FIG. 1 illustrates an isometric view of a separation apparatus.

FIG. 2 illustrates a side view of the separation apparatus shown in FIG. 1.

FIG. 3 illustrates a front view of the separation apparatus shown in FIG. 1.

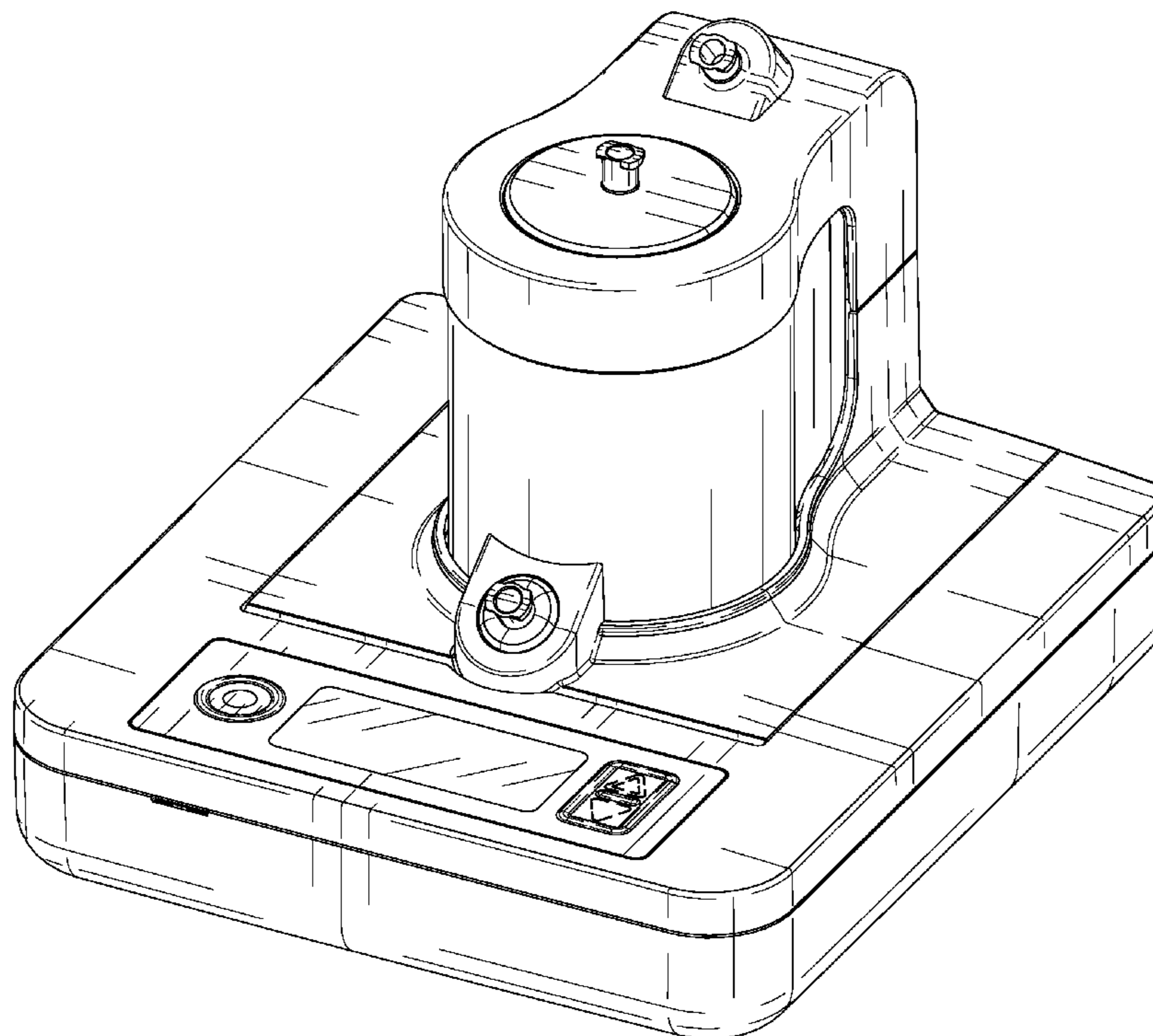
FIG. 4 illustrates a top view of the separation apparatus shown in FIG. 1.

FIG. 5 illustrates a back view of the separation apparatus in FIG. 1; and,

FIG. 6 illustrates a bottom view of the separation apparatus in FIG. 1.

Portions of the separation apparatus shown in broken lines in the figures are for illustrative purposes only and form no part of the claimed design.

1 Claim, 6 Drawing Sheets



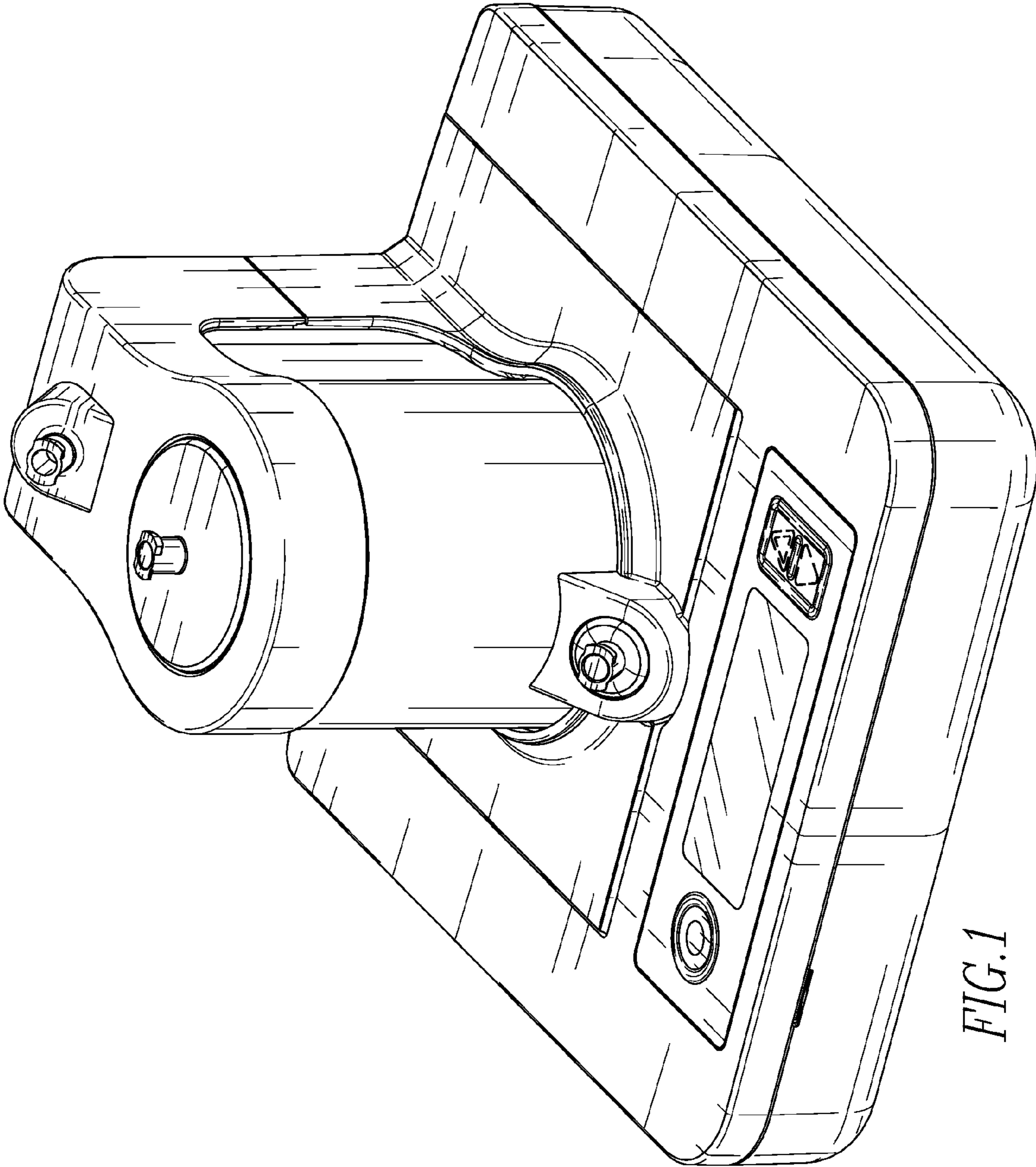


FIG.1

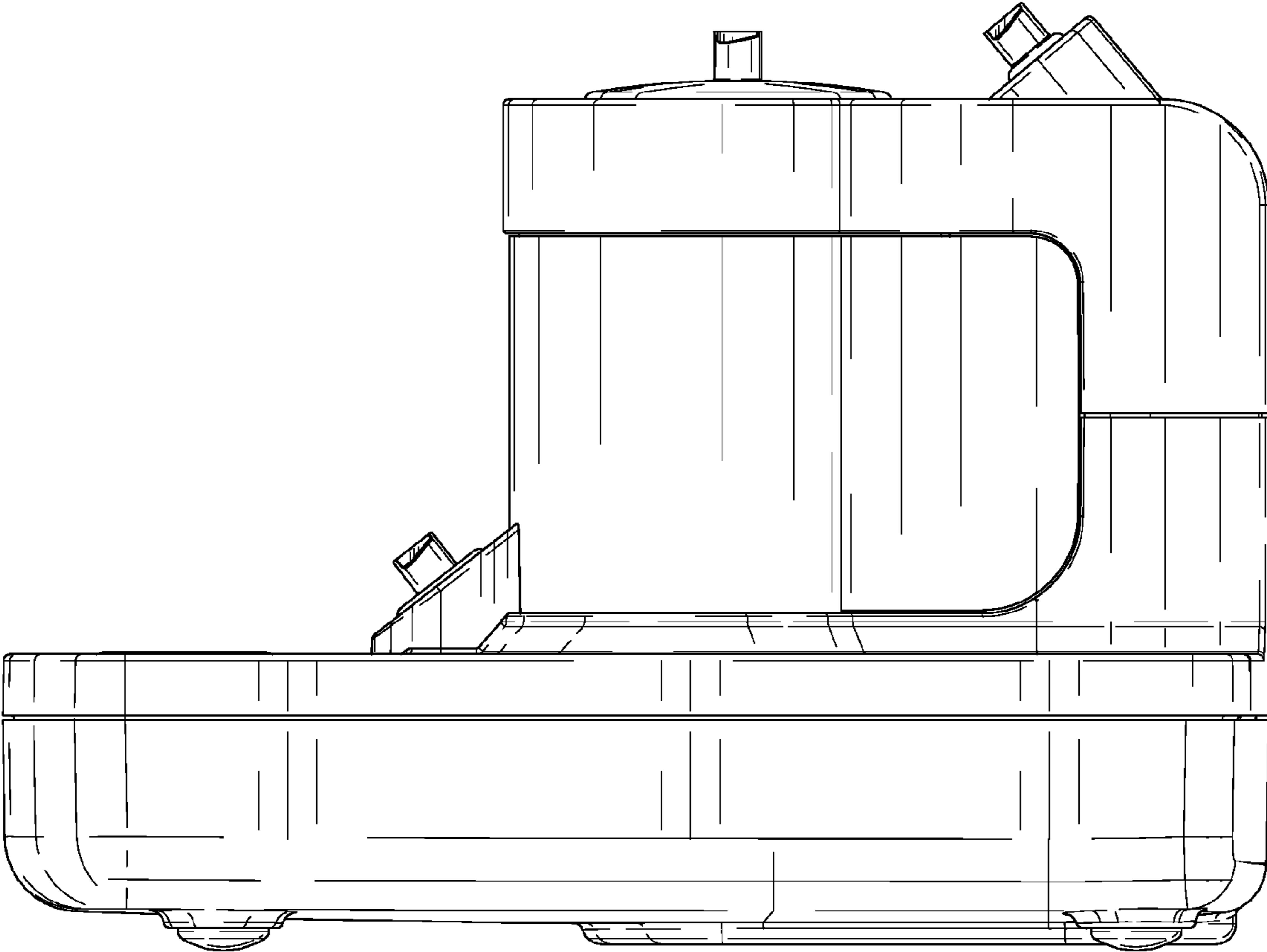


FIG. 2

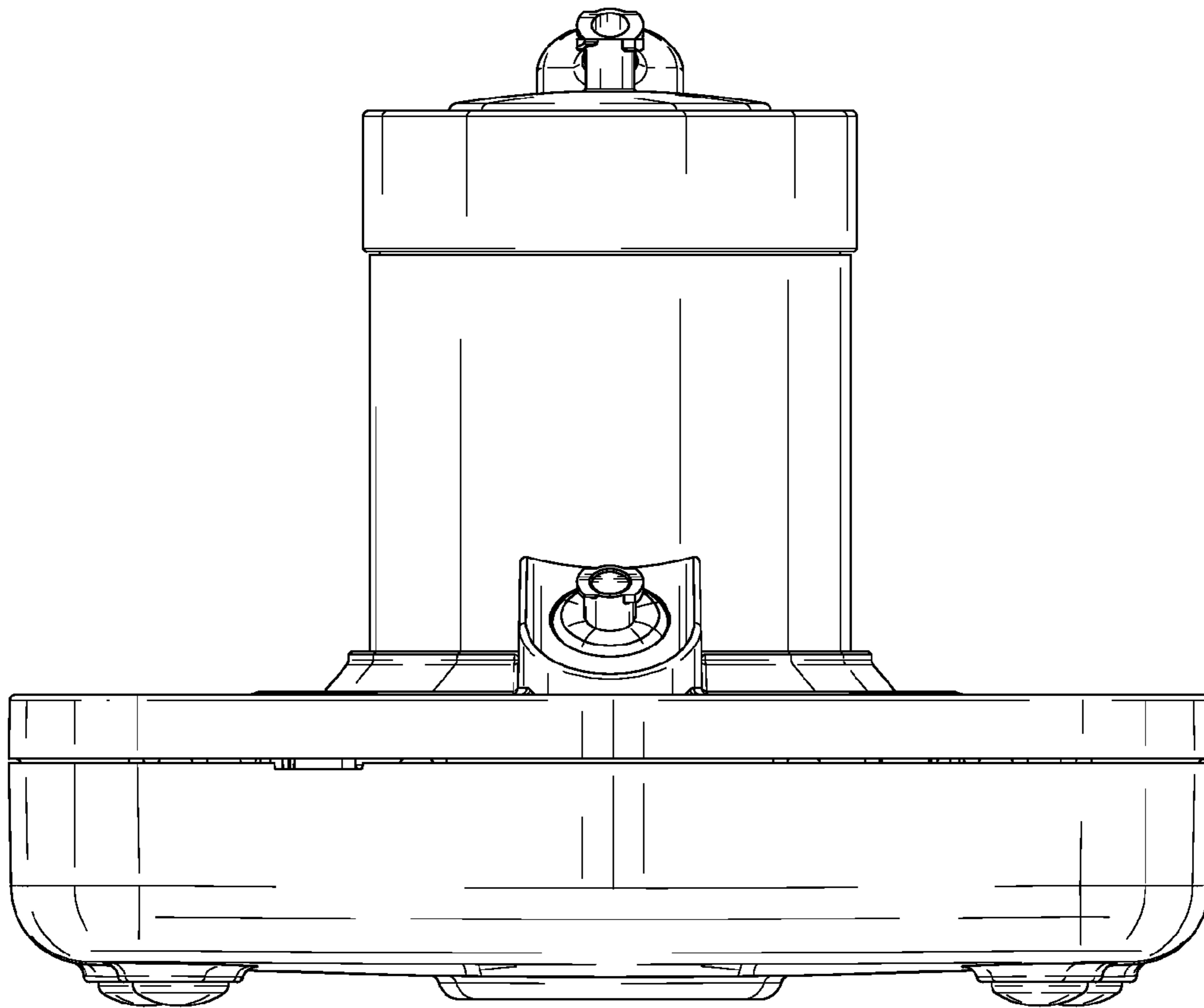


FIG. 3

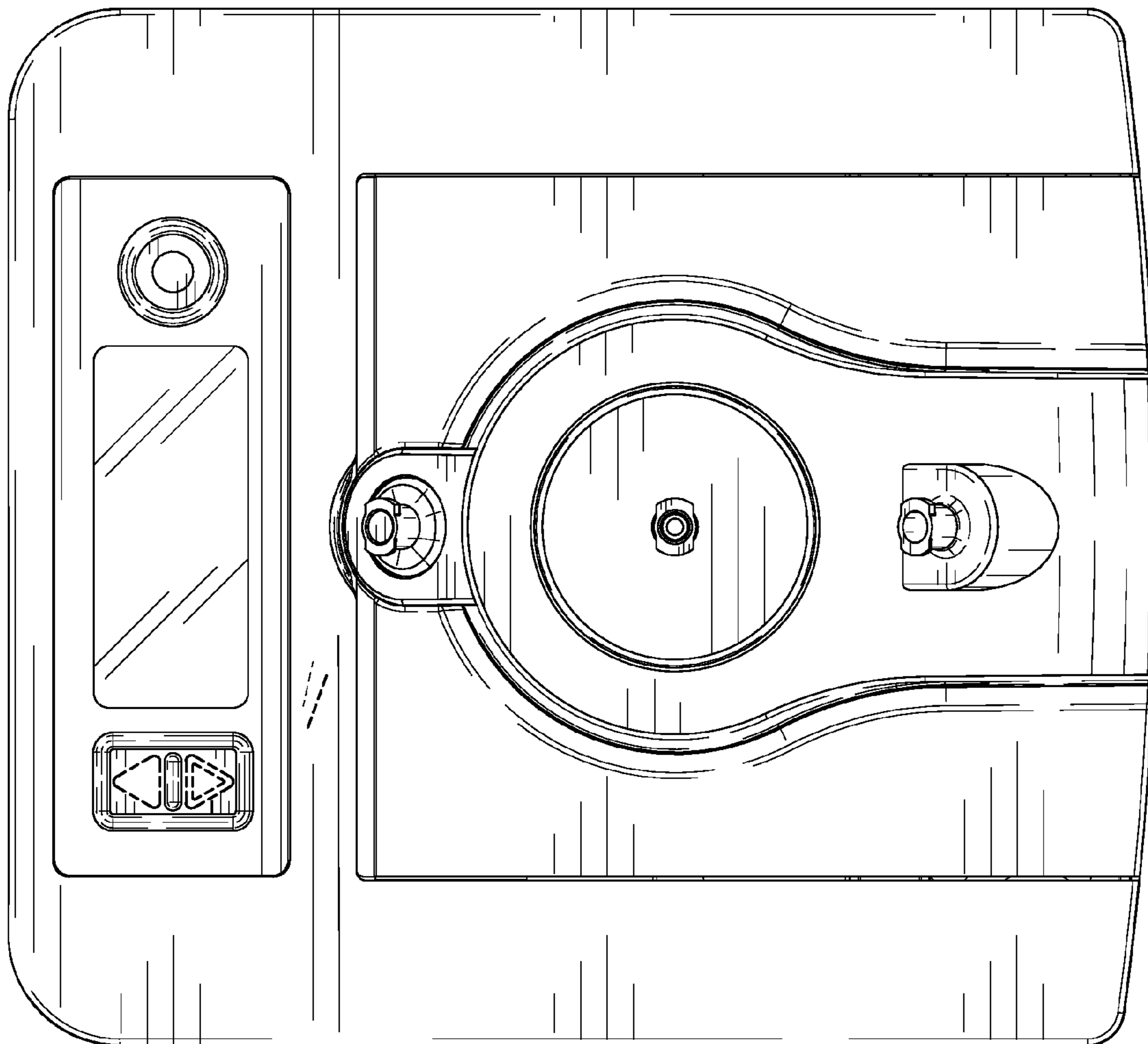


FIG. 4

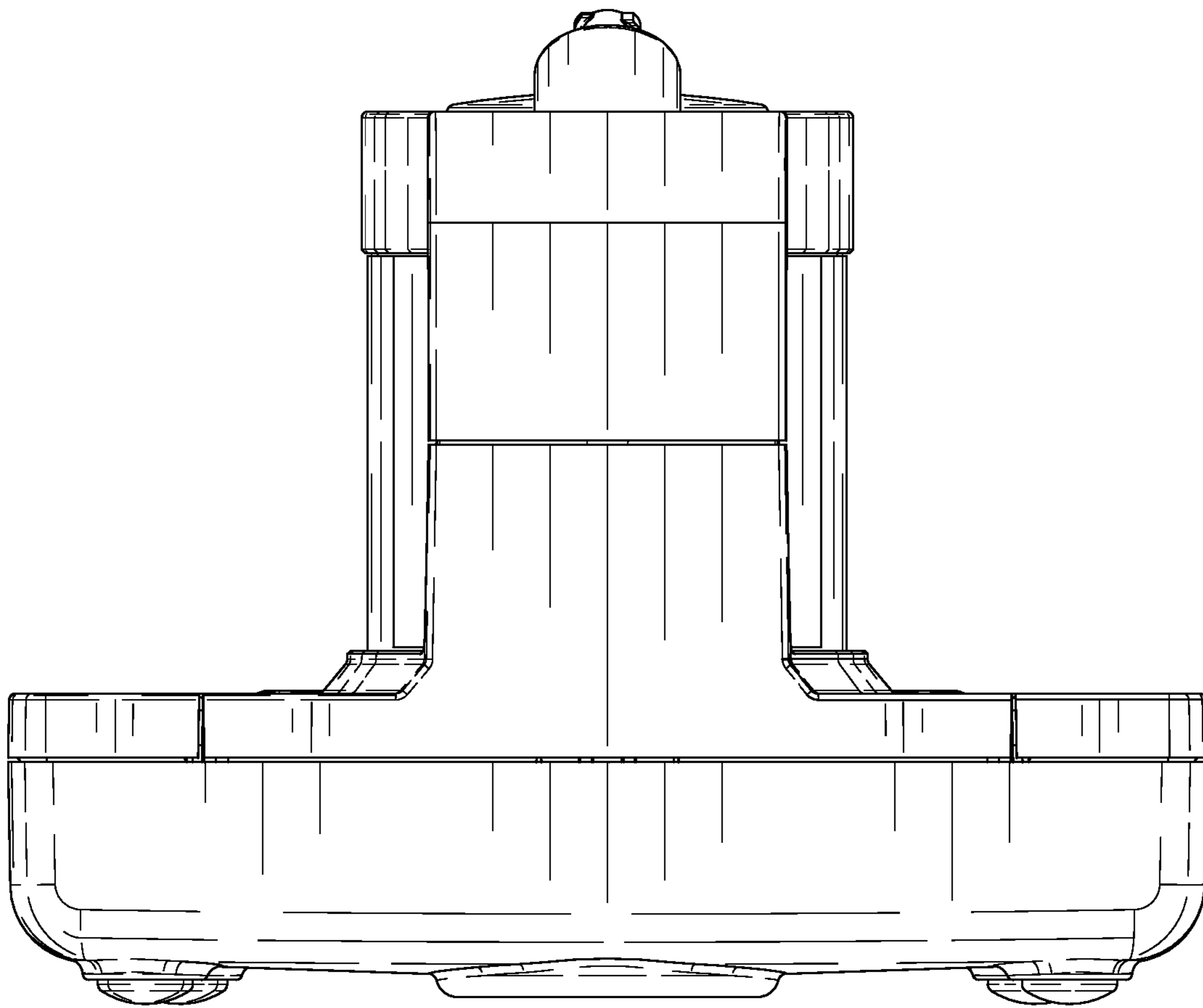


FIG. 5

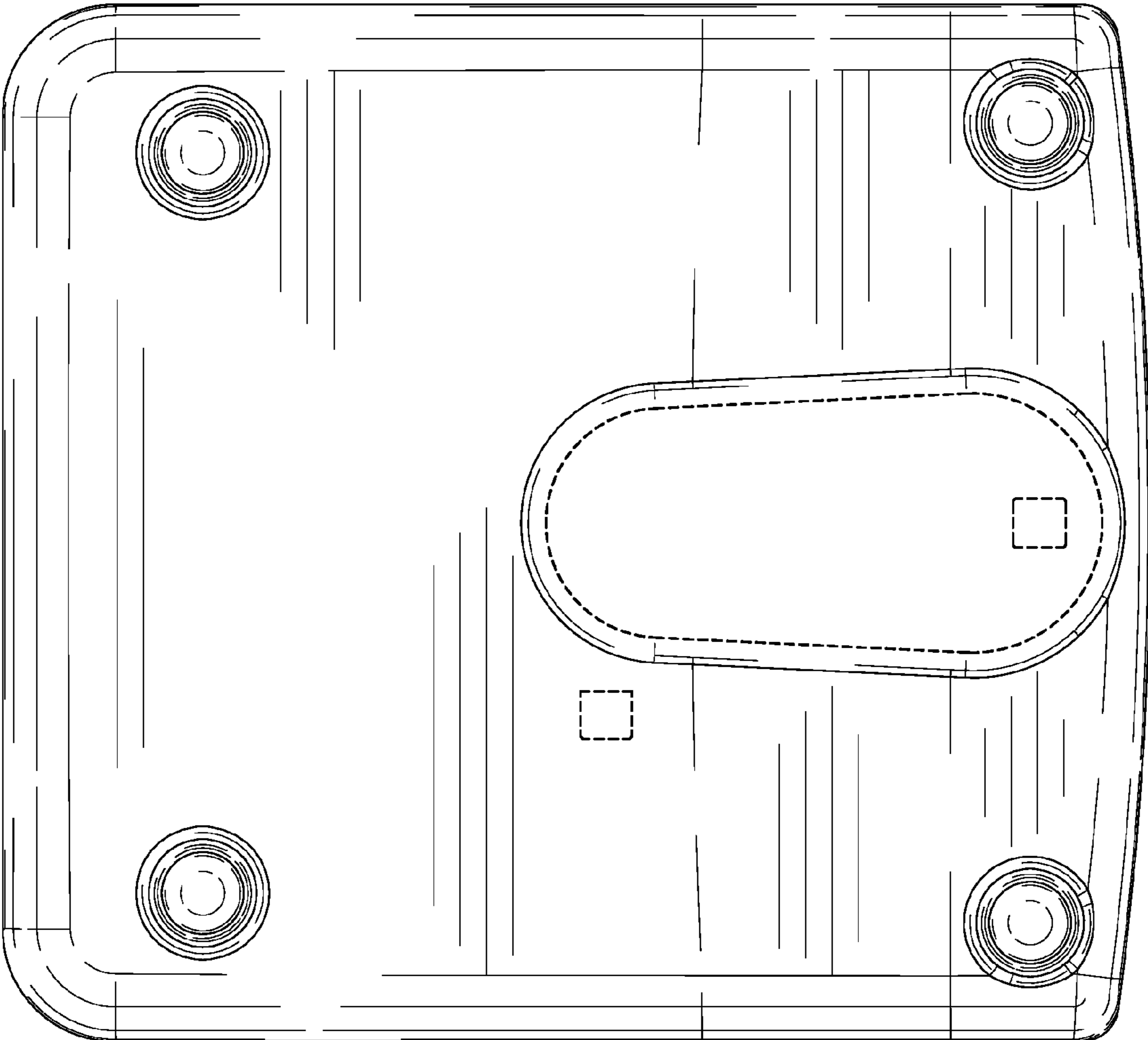


FIG. 6