



US00D585921S

(12) **United States Design Patent**
Peck et al.

(10) **Patent No.:** **US D585,921 S**

(45) **Date of Patent:** **** Feb. 3, 2009**

(54) **BEARING FRAME**

2003/0063826 A1* 4/2003 Cevasco et al. 384/537

* cited by examiner

(75) Inventors: **Gregory Lloyd Peck**, North Rose, NY (US); **David Lee Fergot**, Syracuse, NY (US); **Douglas Malcom Russell**, Syracuse, NY (US); **Len Howard Nicholas**, Syracuse, NY (US); **Douglas Paddock**, Penn Yan, NY (US)

Primary Examiner—Sandra Snapp
Assistant Examiner—Patricia Palasik

(73) Assignee: **ITT Manufacturing Enterprises, Inc.**,
Wilmington, DE (US)

(57) **CLAIM**

The ornamental design of a bearing frame, as shown and described.

(**) Term: **14 Years**

DESCRIPTION

(21) Appl. No.: **29/293,189**

FIG. 1 is a top perspective view of a bearing frame showing the present invention;

(22) Filed: **Nov. 6, 2007**

FIG. 2 is a bottom perspective view of the bearing frame in FIG. 1 showing the present invention;

(51) **LOC (9) Cl.** **15-09**

(52) **U.S. Cl.** **D15/143**

(58) **Field of Classification Search** D15/7-9,
D15/143; 384/412, 428, 447, 537
See application file for complete search history.

FIG. 3 is a side view of the bearing frame in FIG. 1 showing one side of the present invention;

FIG. 4 is a side view of the bearing frame in FIG. 1 showing the other side of the present invention;

FIG. 5 is a front view of the bearing frame in FIG. 1 along its longitudinal axis looking into the page showing the present invention;

(56) **References Cited**

U.S. PATENT DOCUMENTS

D202,145 S *	8/1965	Shroeder	D15/7
D303,670 S *	9/1989	Adolfo	D15/9
D327,272 S *	6/1992	Cadotte et al.	D15/7
D349,710 S *	8/1994	Moro	D15/7
D447,148 S *	8/2001	Antony et al.	D15/7
D549,250 S *	8/2007	Salomaa et al.	D15/143
D549,254 S *	8/2007	Salomaa et al.	D15/143
D549,737 S *	8/2007	Chu	D15/9
D562,849 S *	2/2008	Buitenhuis et al.	D15/7
D573,159 S	7/2008	Wolfgang		

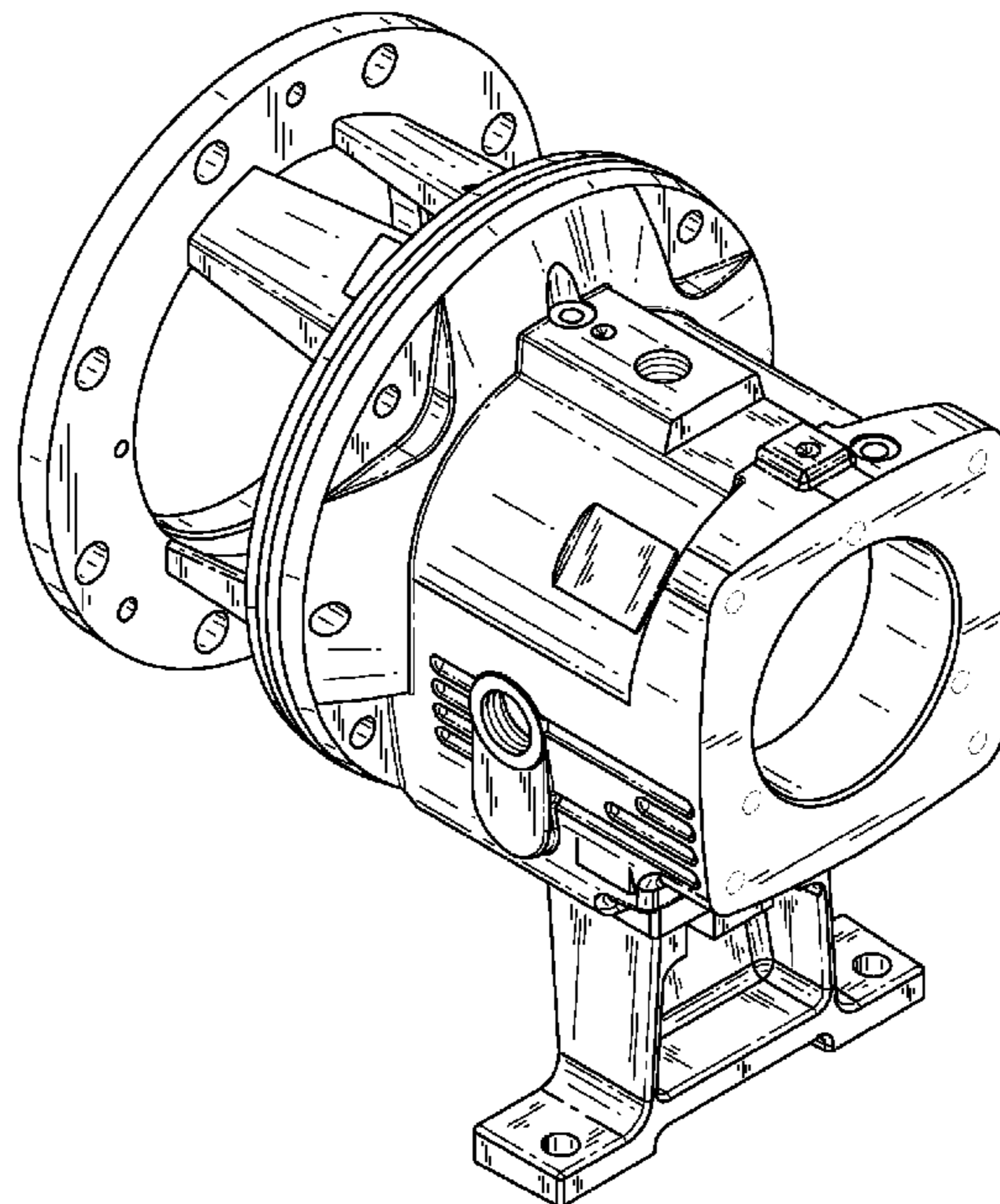
FIG. 6 is a back view of the bearing frame in FIG. 1 along its longitudinal axis looking out of the page showing the present invention;

FIG. 7 is a bottom view of the bearing frame in FIG. 2 showing the present invention; and,

FIG. 8 is a top view of the bearing frame in FIG. 1 showing the present invention.

The broken line showing of the bearing frame is included for the purpose of illustrating portions of the bearing frame and forms no part of the claimed design.

1 Claim, 4 Drawing Sheets



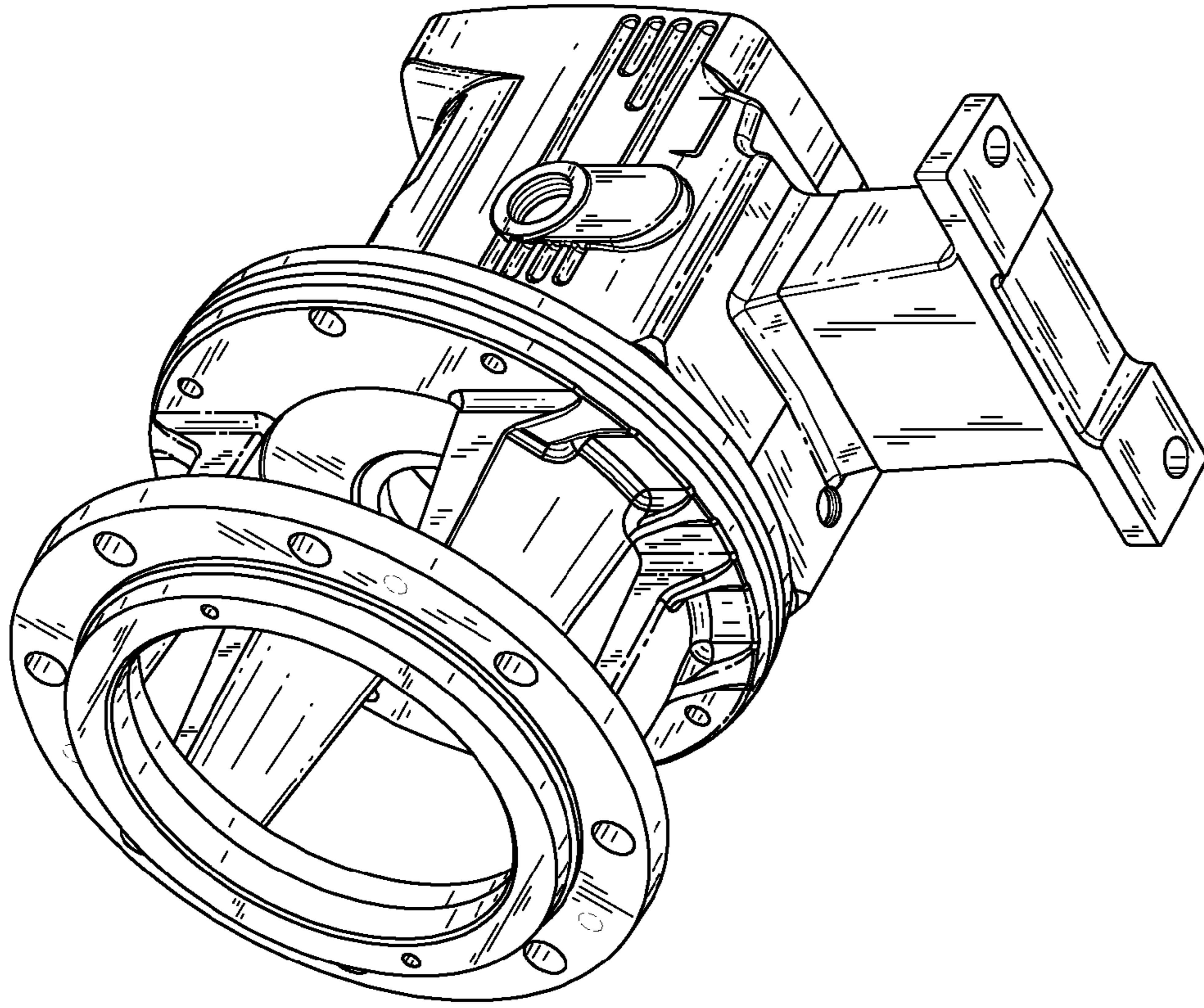


FIG. 2

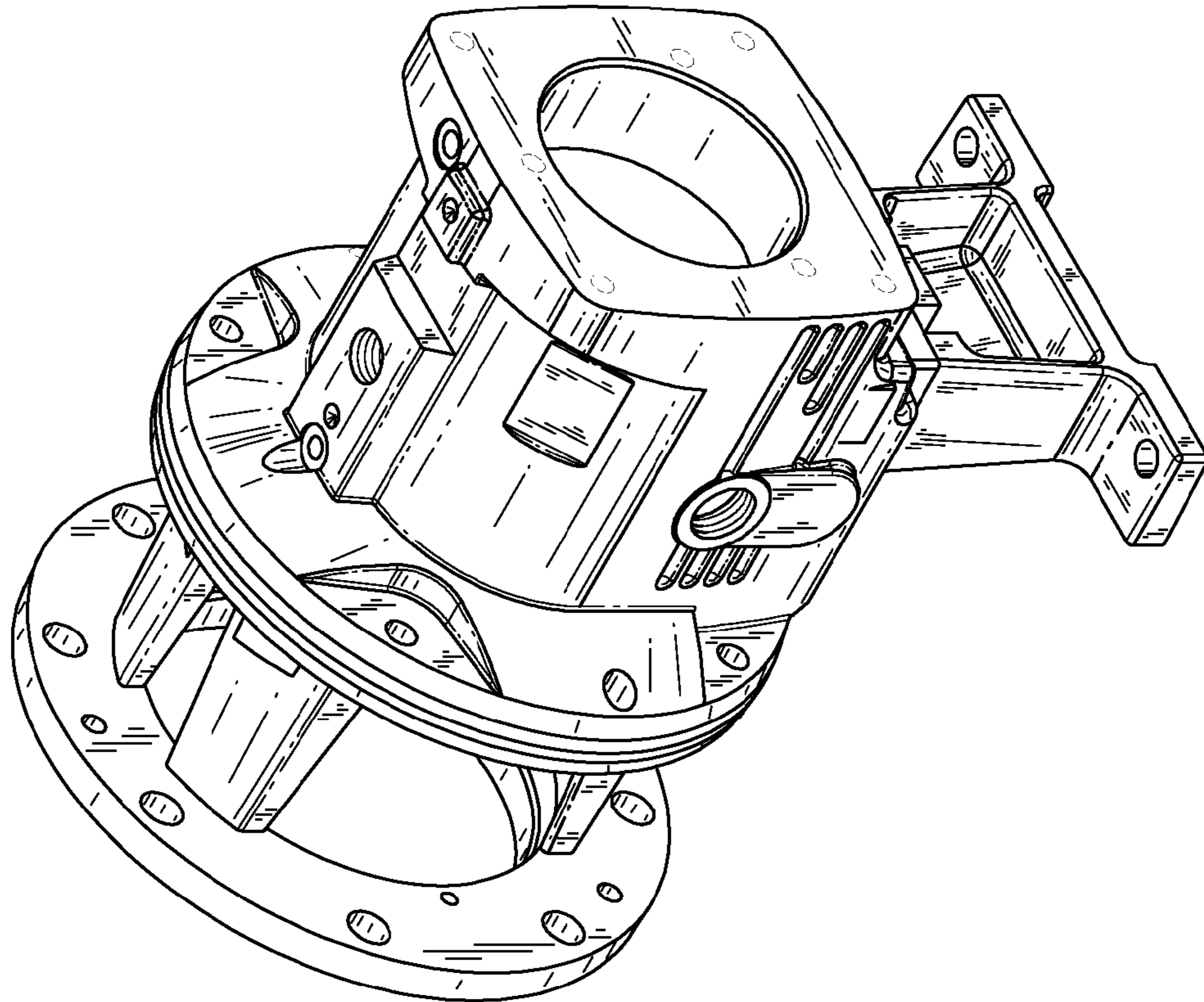


FIG. 1

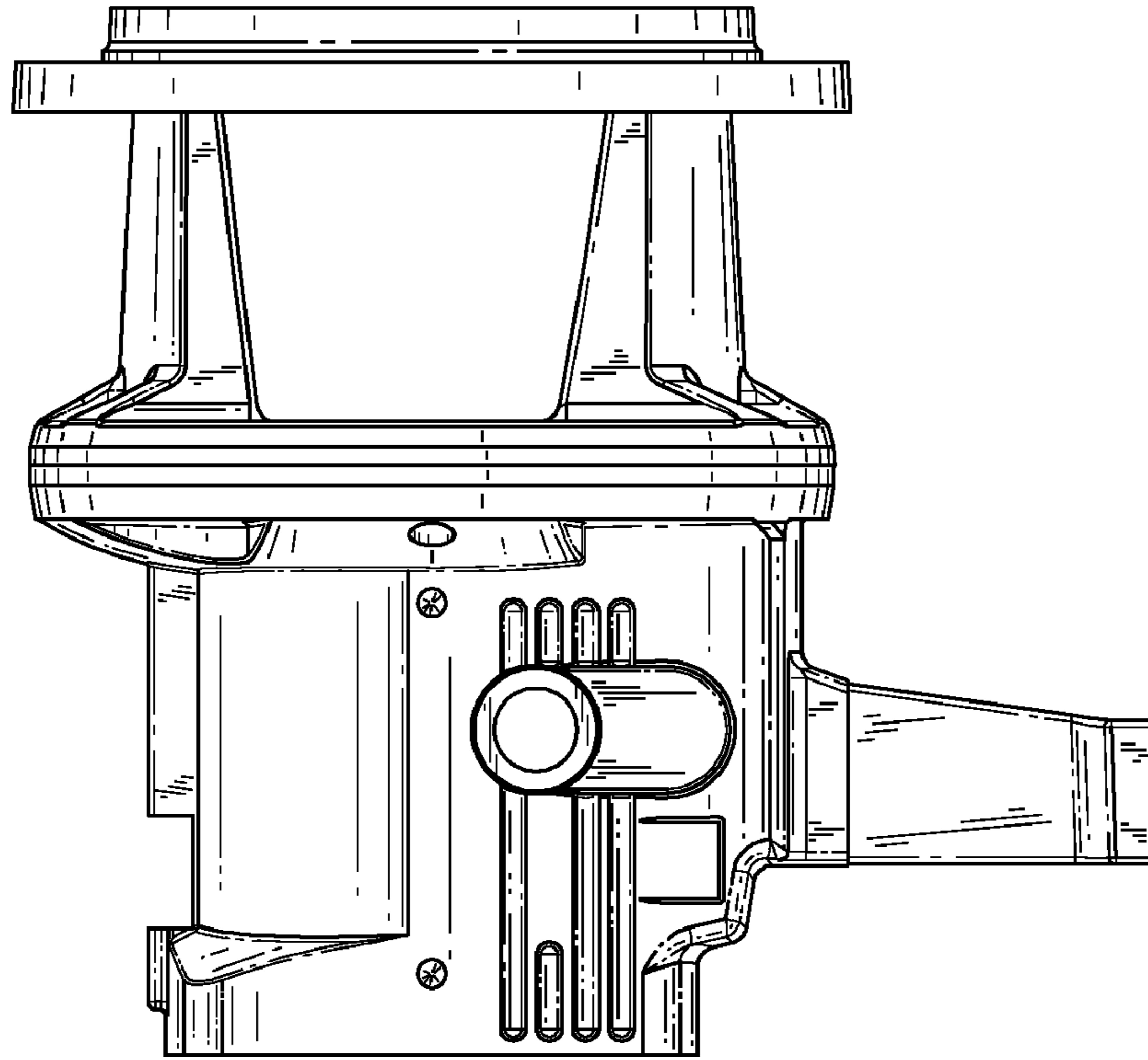


FIG. 4

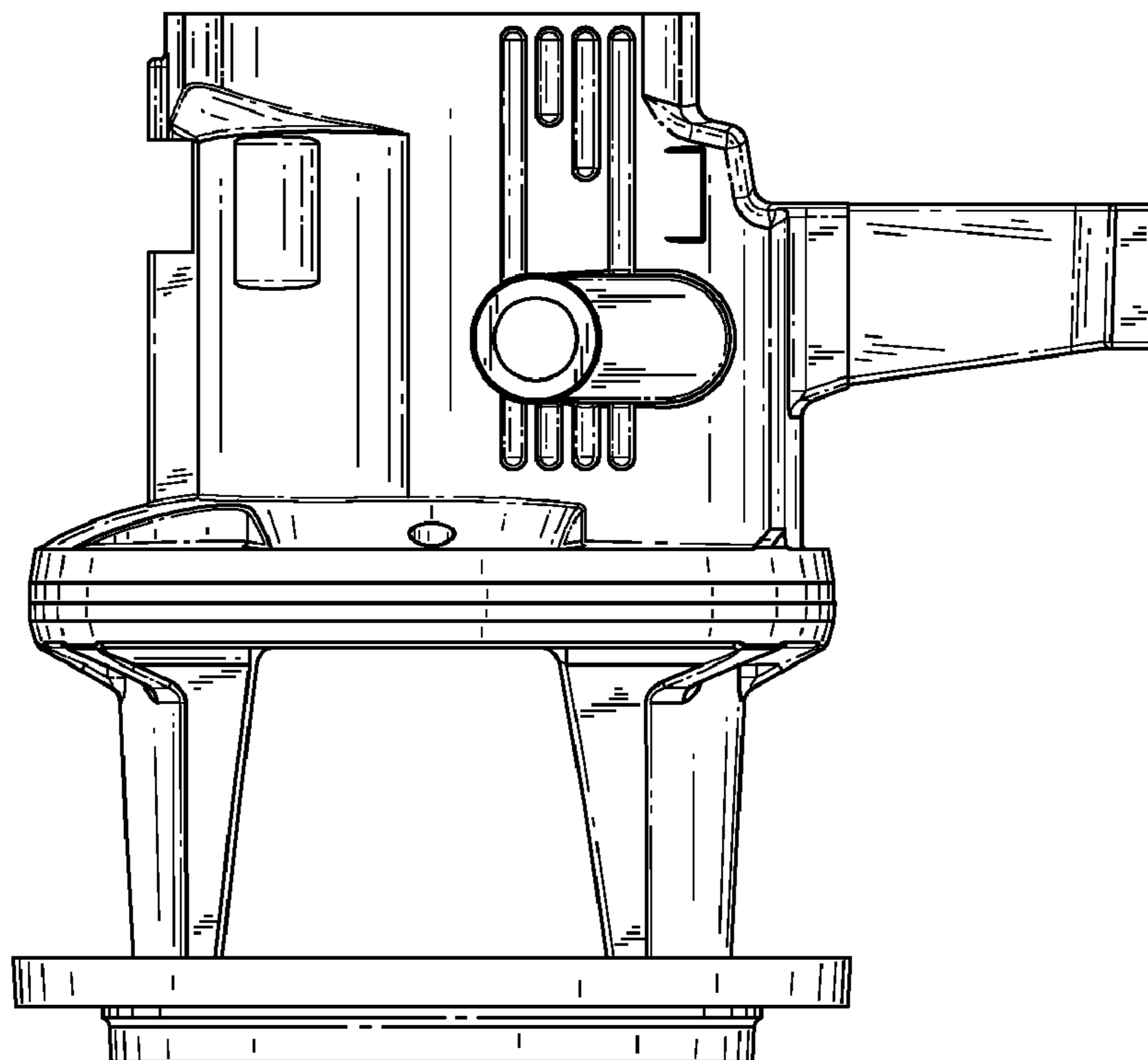


FIG. 3

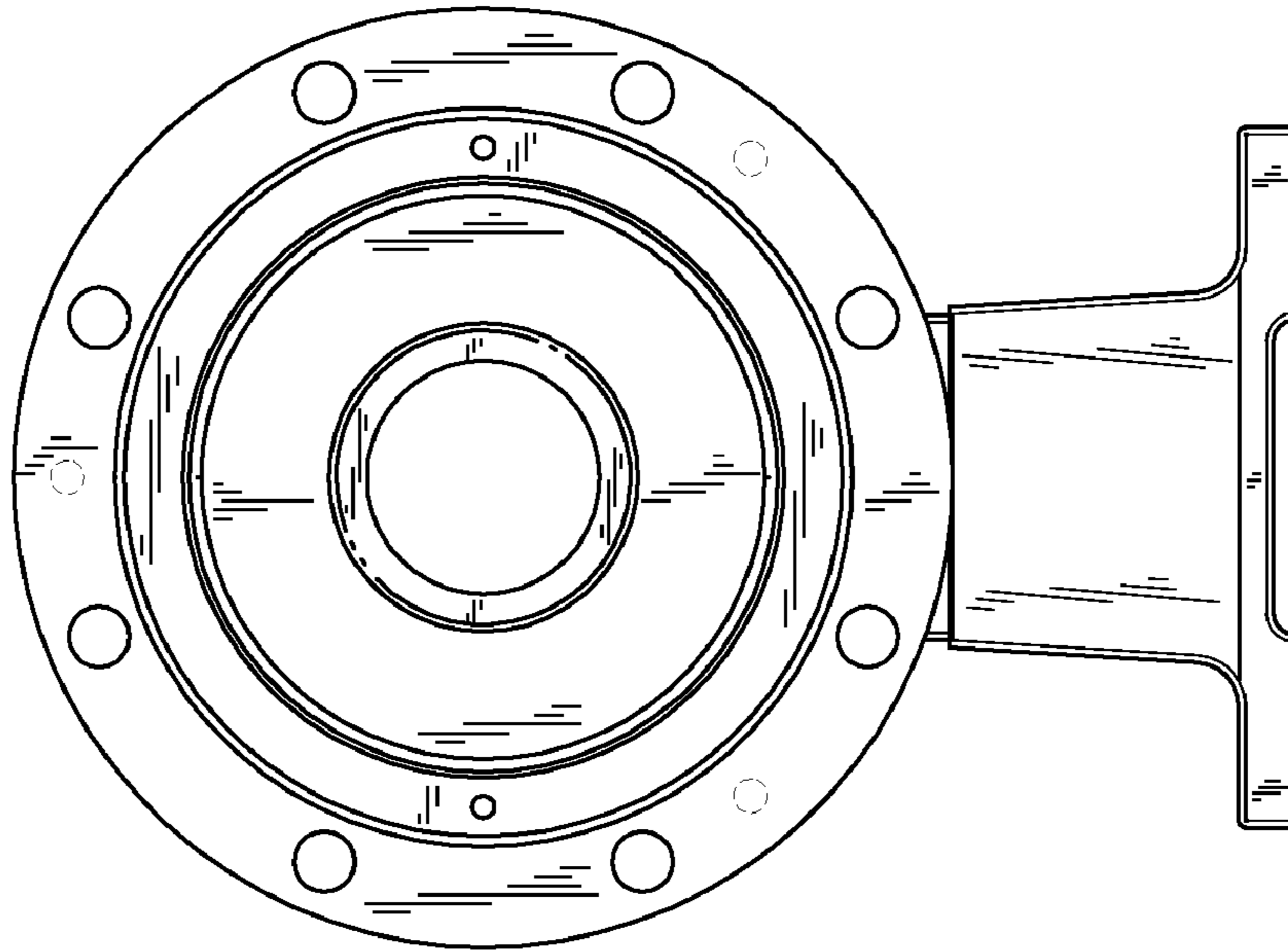


FIG. 6

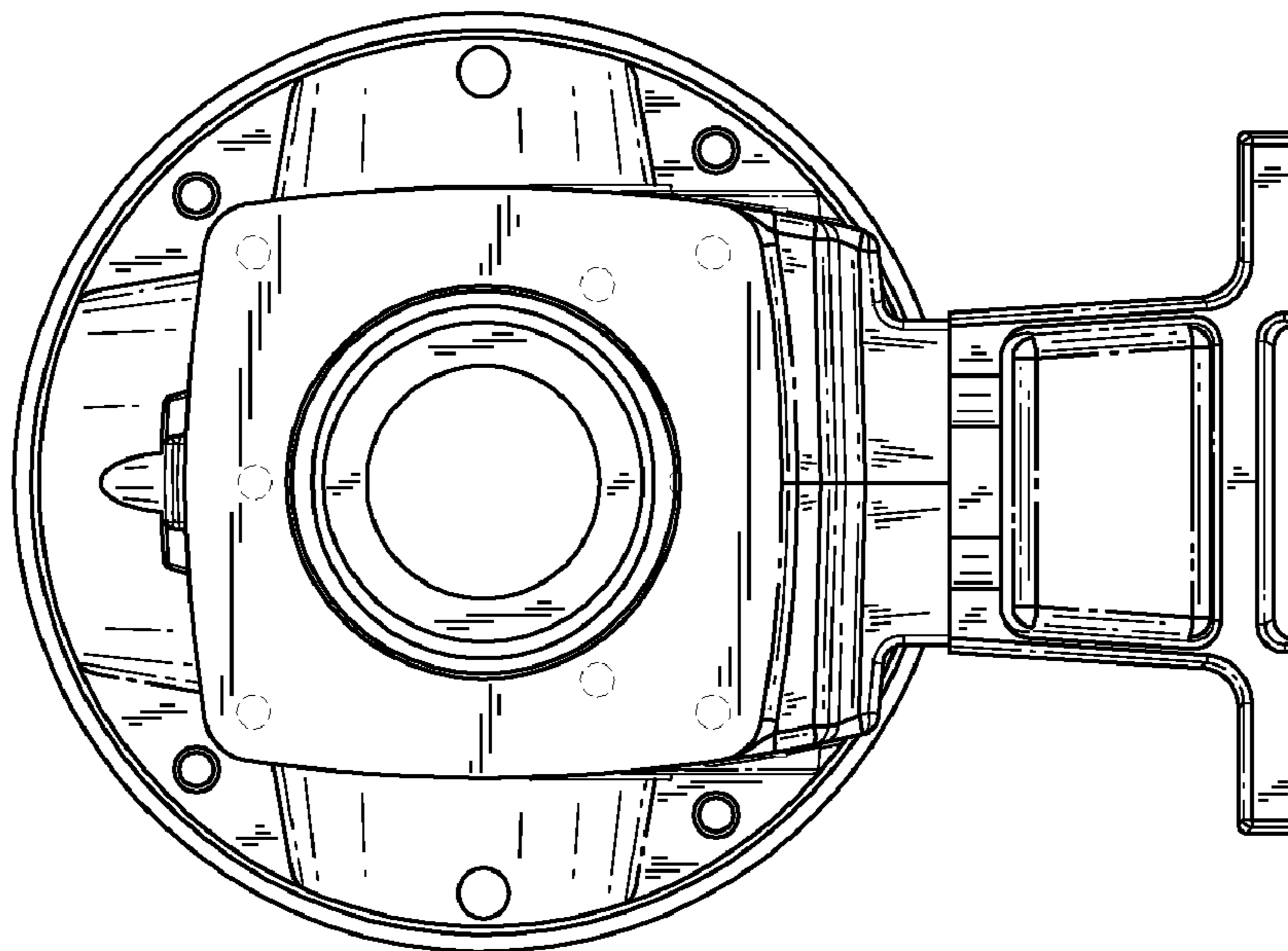


FIG. 5

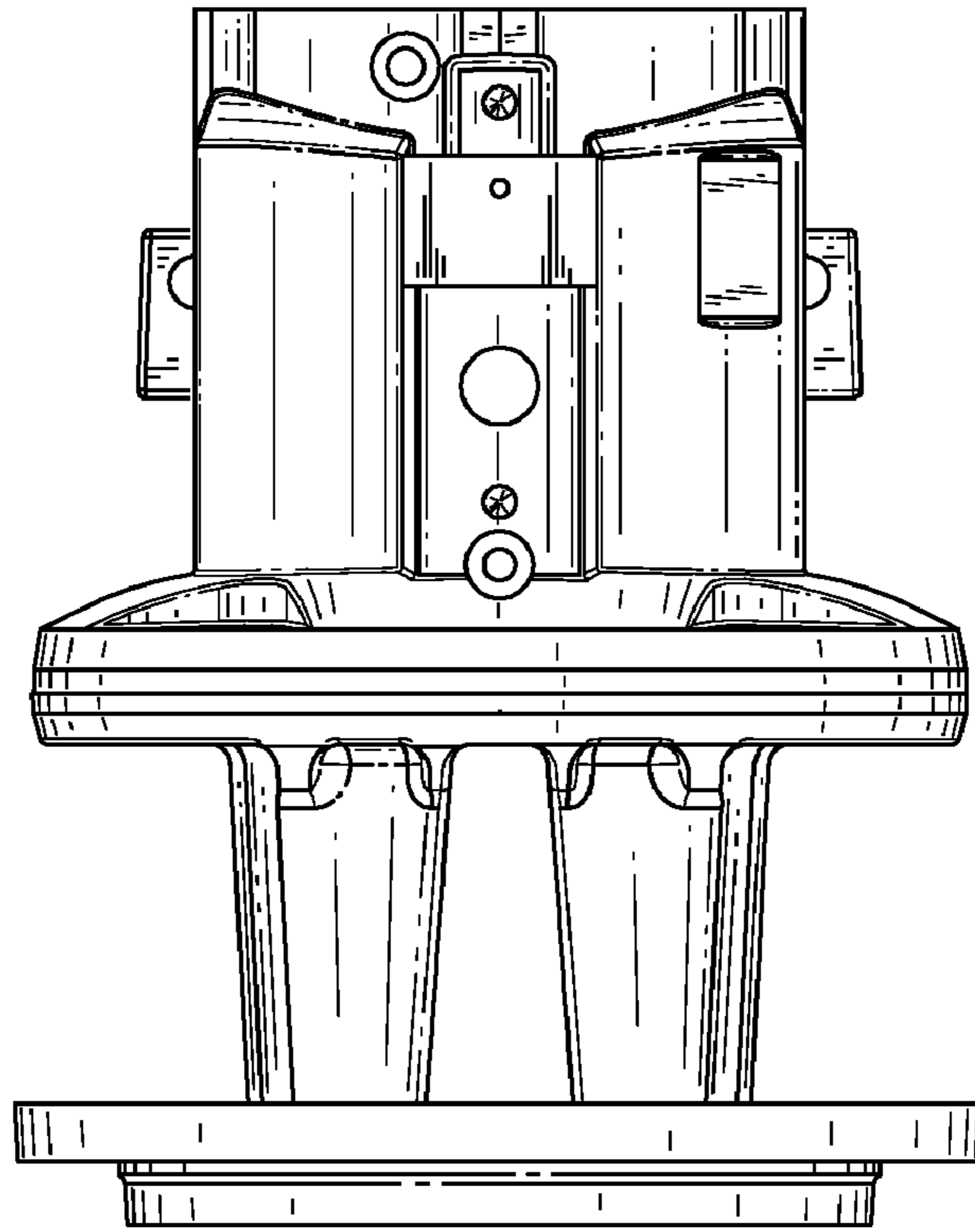


FIG. 8

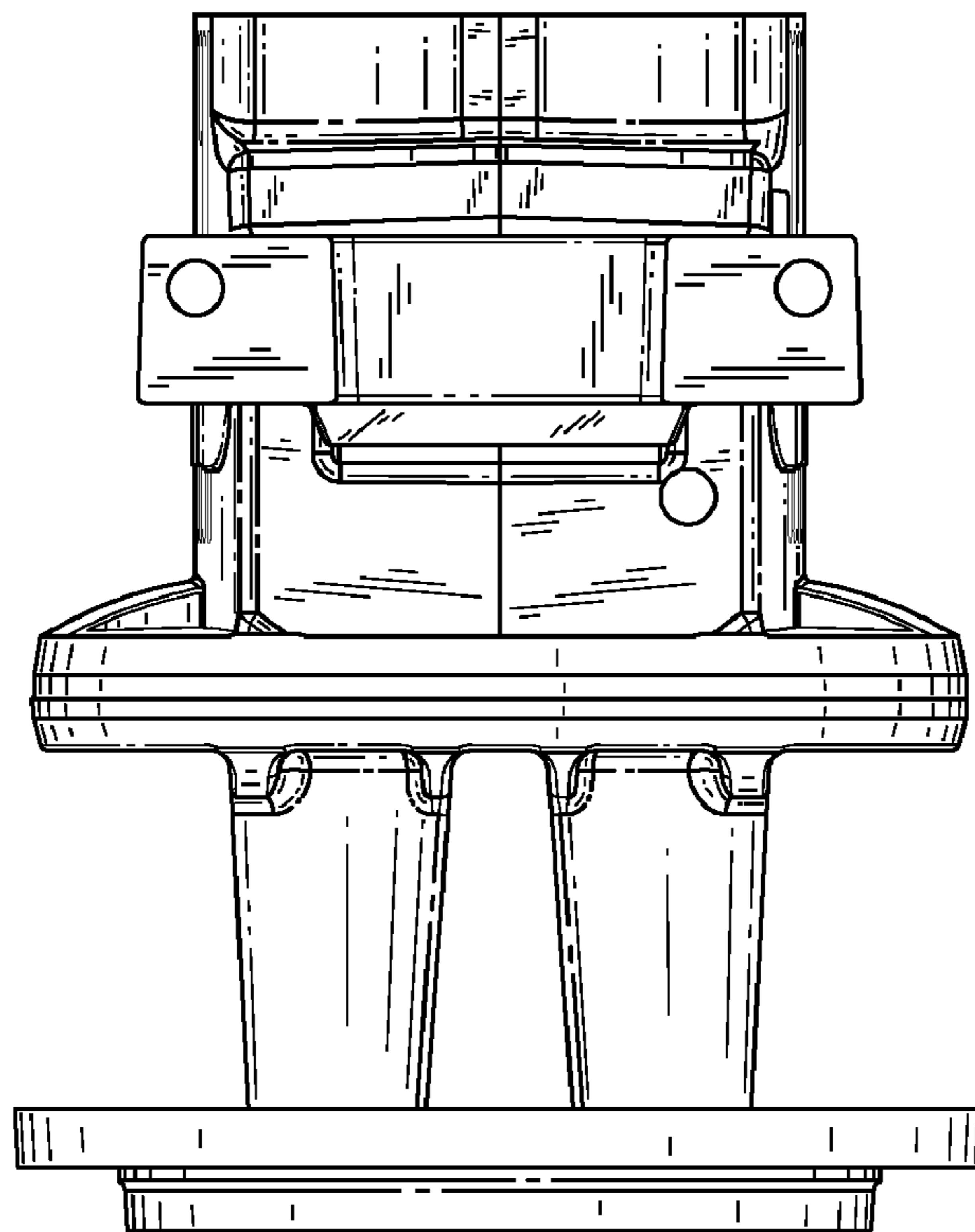


FIG. 7

UNITED STATES PATENT AND TRADEMARK OFFICE
CERTIFICATE OF CORRECTION

PATENT NO. : D585,921 S
APPLICATION NO. : 29/293189
DATED : February 3, 2009
INVENTOR(S) : Gregory Lloyd Peck et al.

Page 1 of 1

It is certified that error appears in the above-identified patent and that said Letters Patent is hereby corrected as shown below:

Title page, item [56] under "References Cited, US Patent Documents," for the 10th reference listed (D573,159 issued 7/2008), delete the name "Wolfgang" and insert --Etter--.

Signed and Sealed this
Eleventh Day of September, 2012

A handwritten signature in black ink that reads "David J. Kappos". The signature is written in a cursive style with a large initial 'D' and 'K'.

David J. Kappos
Director of the United States Patent and Trademark Office