



US00D585918S

(12) **United States Design Patent**  
**Chiang**

(10) **Patent No.:** **US D585,918 S**

(45) **Date of Patent:** **\*\* Feb. 3, 2009**

(54) **CHISEL**

(75) Inventor: **Chun-Li Chiang**, Taichung (TW)

(73) Assignee: **Everpads Co., Ltd.**, Taichung (TW)

(\*\*) Term: **14 Years**

(21) Appl. No.: **29/300,633**

(22) Filed: **Apr. 22, 2008**

(51) **LOC (9) Cl.** ..... **15-09**

(52) **U.S. Cl.** ..... **D15/139**

(58) **Field of Classification Search** ..... D8/70,  
D8/85, 86; D15/126, 138, 139, 140; 175/57,  
175/420.1, 420.2; 299/104, 106-107, 113  
See application file for complete search history.

(56) **References Cited**

**U.S. PATENT DOCUMENTS**

D420,013	S	*	2/2000	Warren et al.	.....	D15/139
D424,075	S	*	5/2000	Streich	.....	D15/140
D429,262	S	*	8/2000	Streich	.....	D15/140
6,371,567	B1	*	4/2002	Sollami	.....	299/107
D460,769	S	*	7/2002	Sollami	.....	D15/140
6,585,327	B2	*	7/2003	Sollami	.....	299/104
D488,170	S	*	4/2004	Sollami	.....	D15/140
D520,035	S	*	5/2006	Kammerer	.....	D15/139
D558,241	S	*	12/2007	Chiang	.....	D15/139

D558,242	S	*	12/2007	Chiang	.....	D15/139
D567,267	S	*	4/2008	Minor	.....	299/104
2007/0257545	A1	*	11/2007	Mouthaan et al.	.....	299/107
2008/0036272	A1	*	2/2008	Hall et al.	.....	299/104

\* cited by examiner

*Primary Examiner*—Sandra Snapp

*Assistant Examiner*—Patricia Palasik

(74) *Attorney, Agent, or Firm*—Rosenberg, Klein & Lee

(57) **CLAIM**

The ornamental design for a chisel, as shown and described.

**DESCRIPTION**

FIG. 1 is a perspective view of a chisel showing my new design;

FIG. 2 is a front elevational view thereof;

FIG. 3 is a rear elevational view thereof;

FIG. 4 is a left side elevational view thereof;

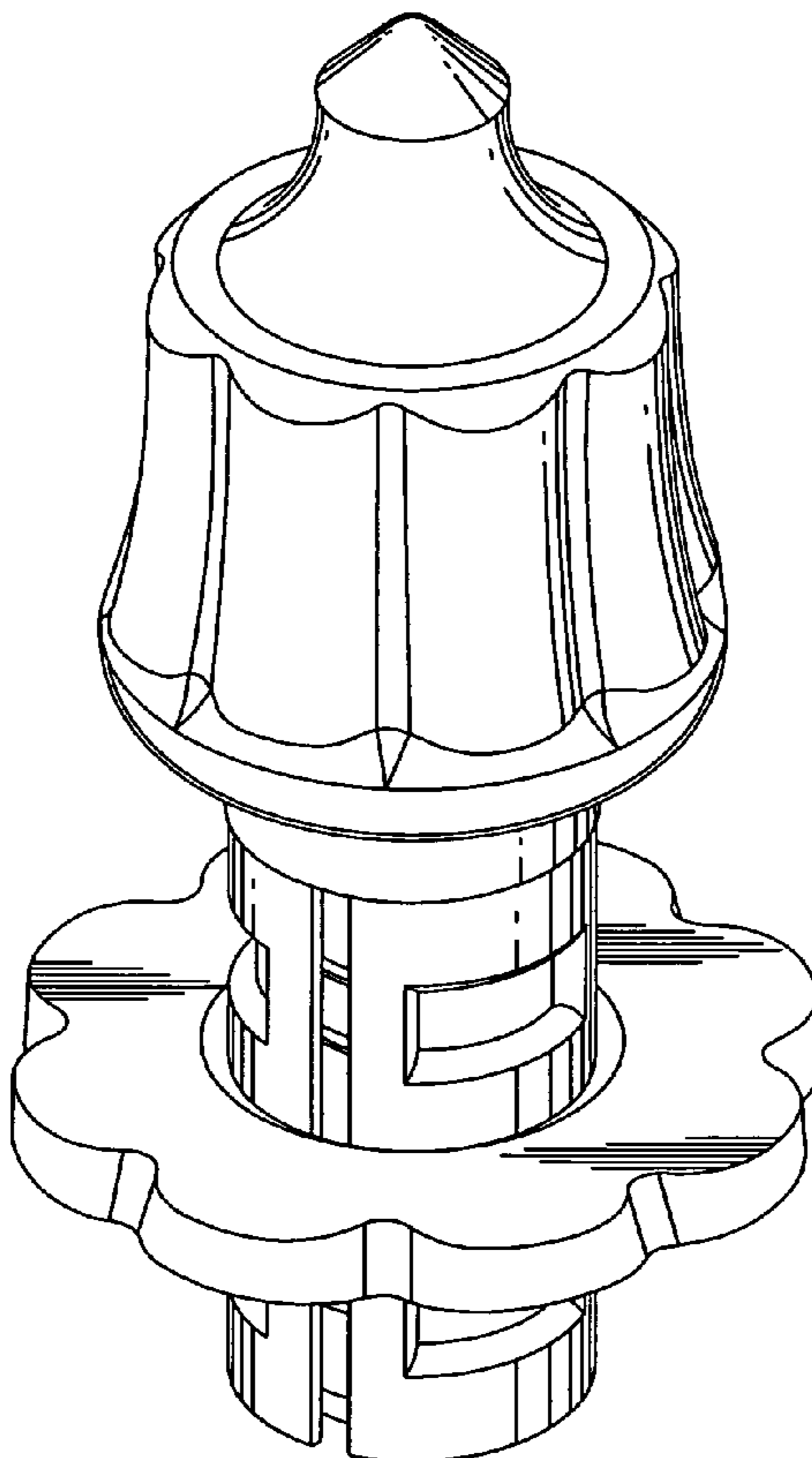
FIG. 5 is a right side elevational view thereof;

FIG. 6 a top plan view thereof; and,

FIG. 7 a bottom plan view thereof.

Portions of the chisel shown in broken lines in the figures are for illustrative purposes only and form no part of the claimed design.

**1 Claim, 6 Drawing Sheets**



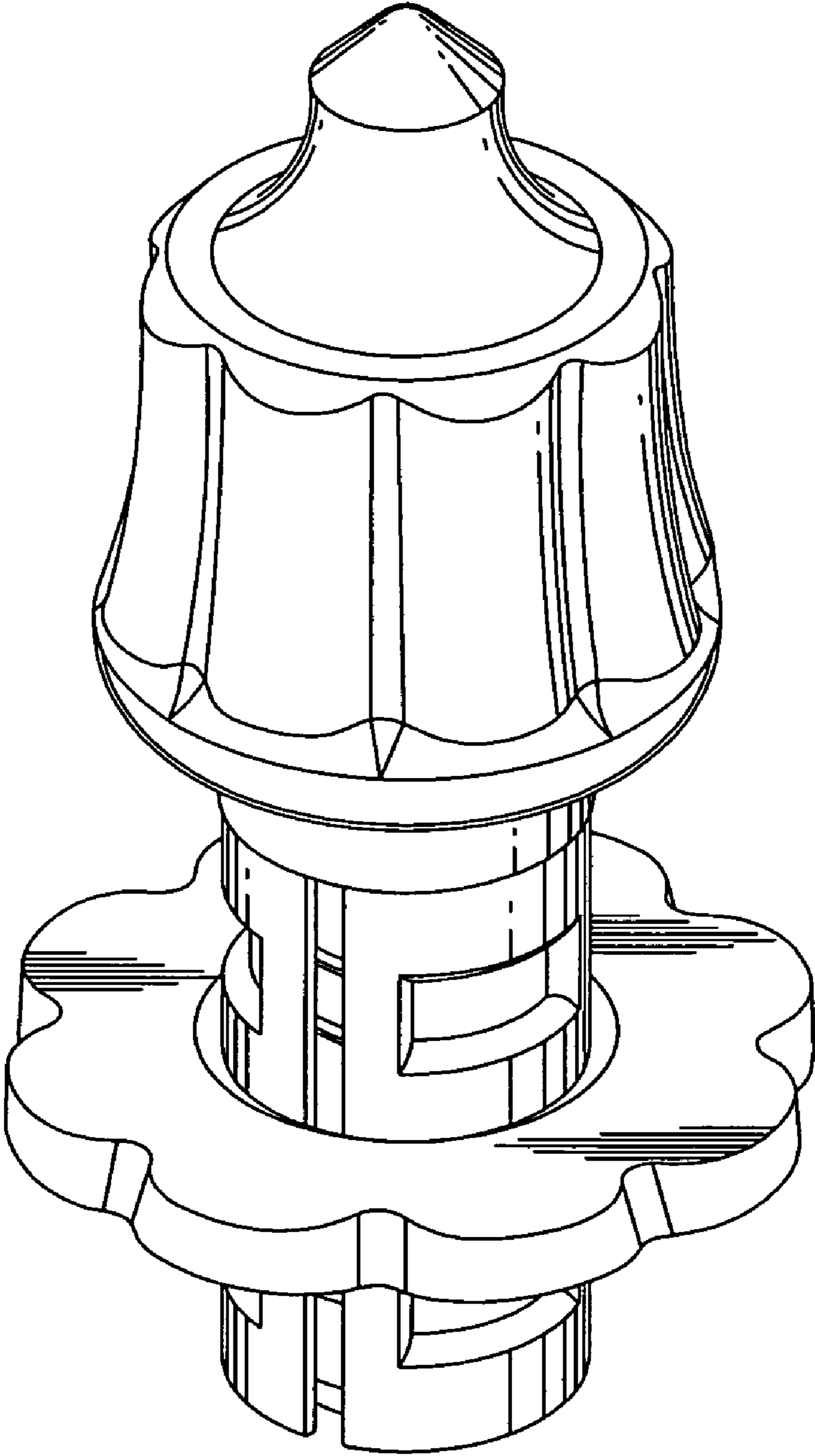


FIG. 1

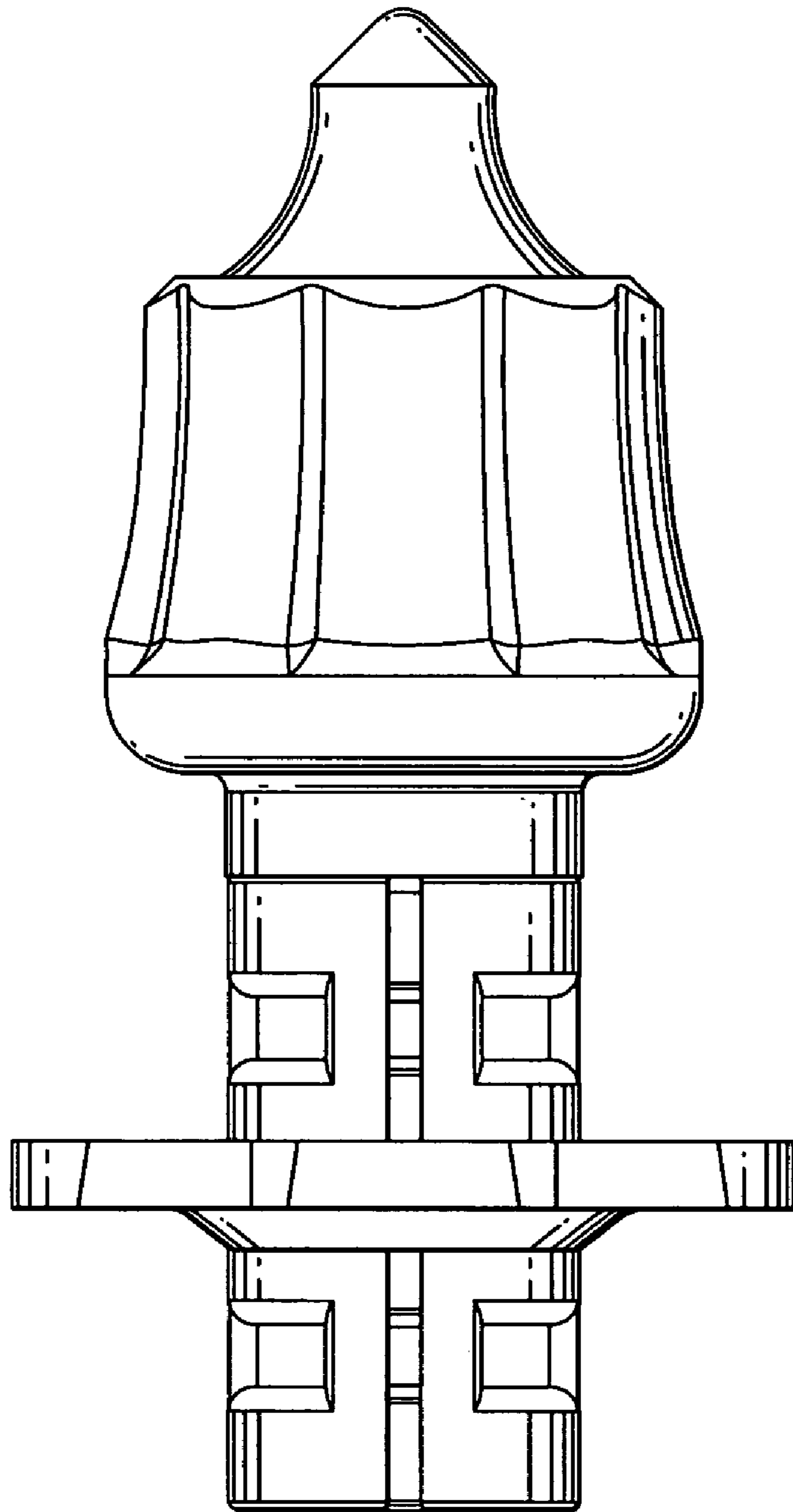


FIG. 2

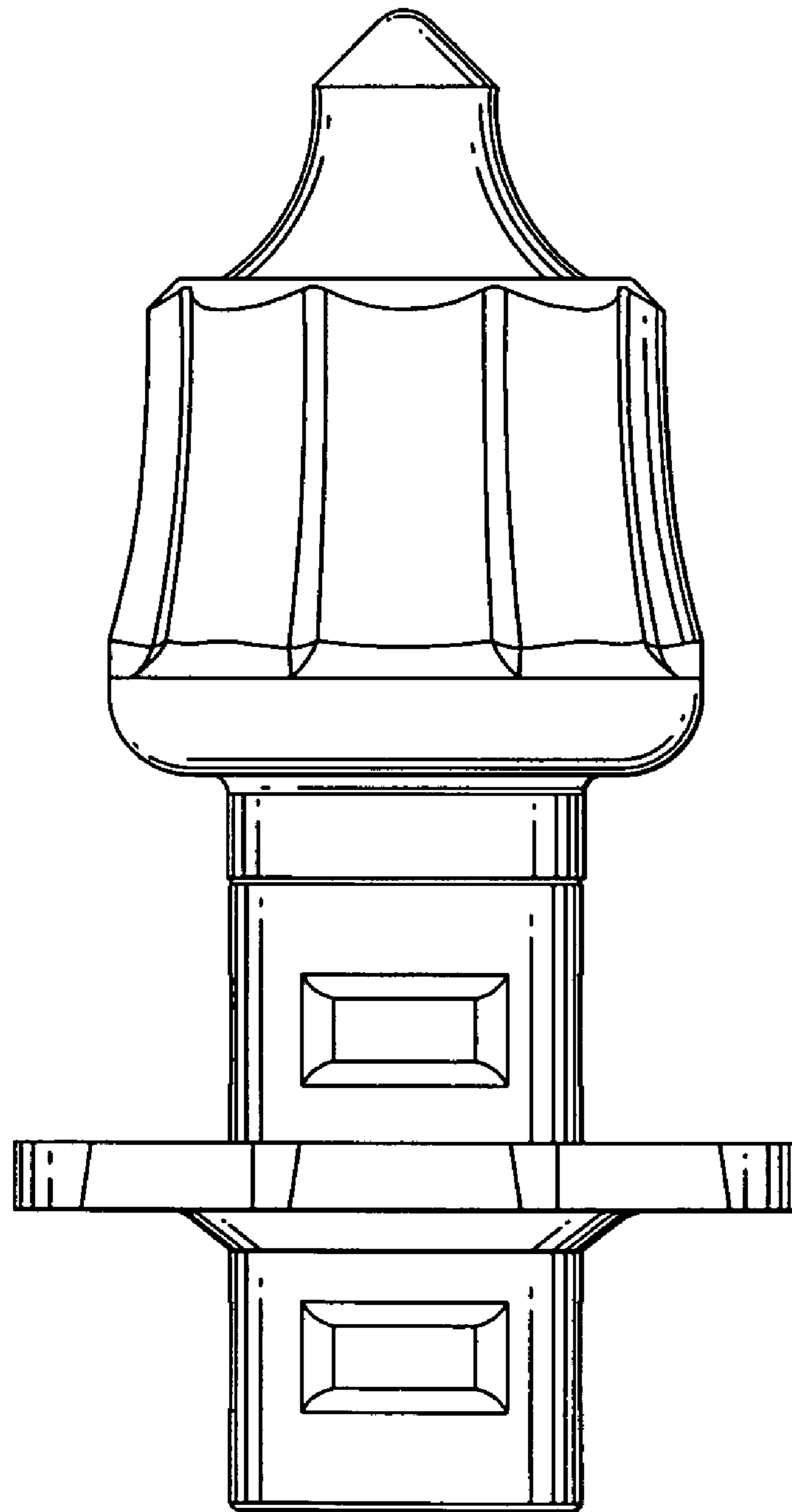


FIG. 3

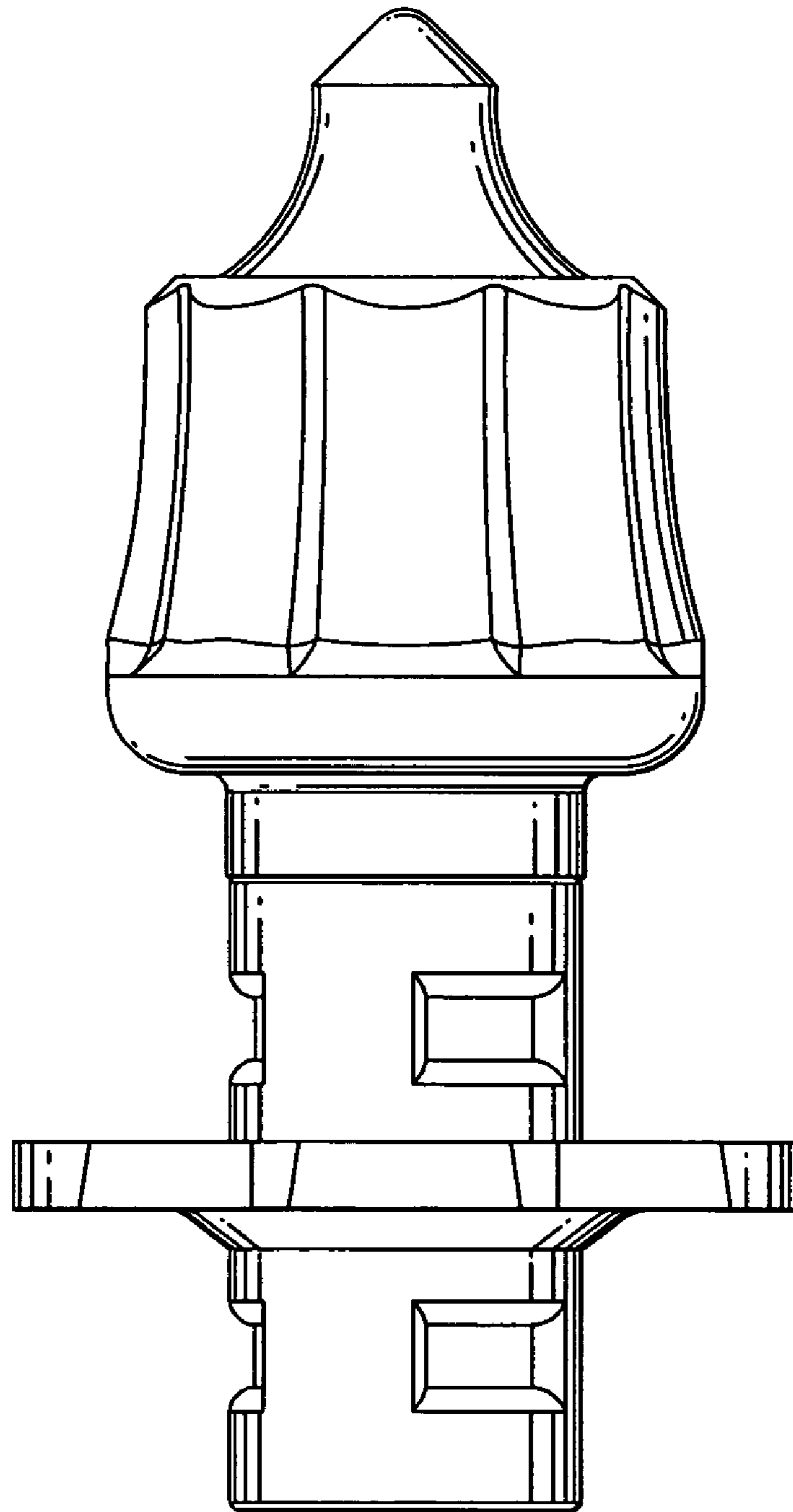


FIG. 4

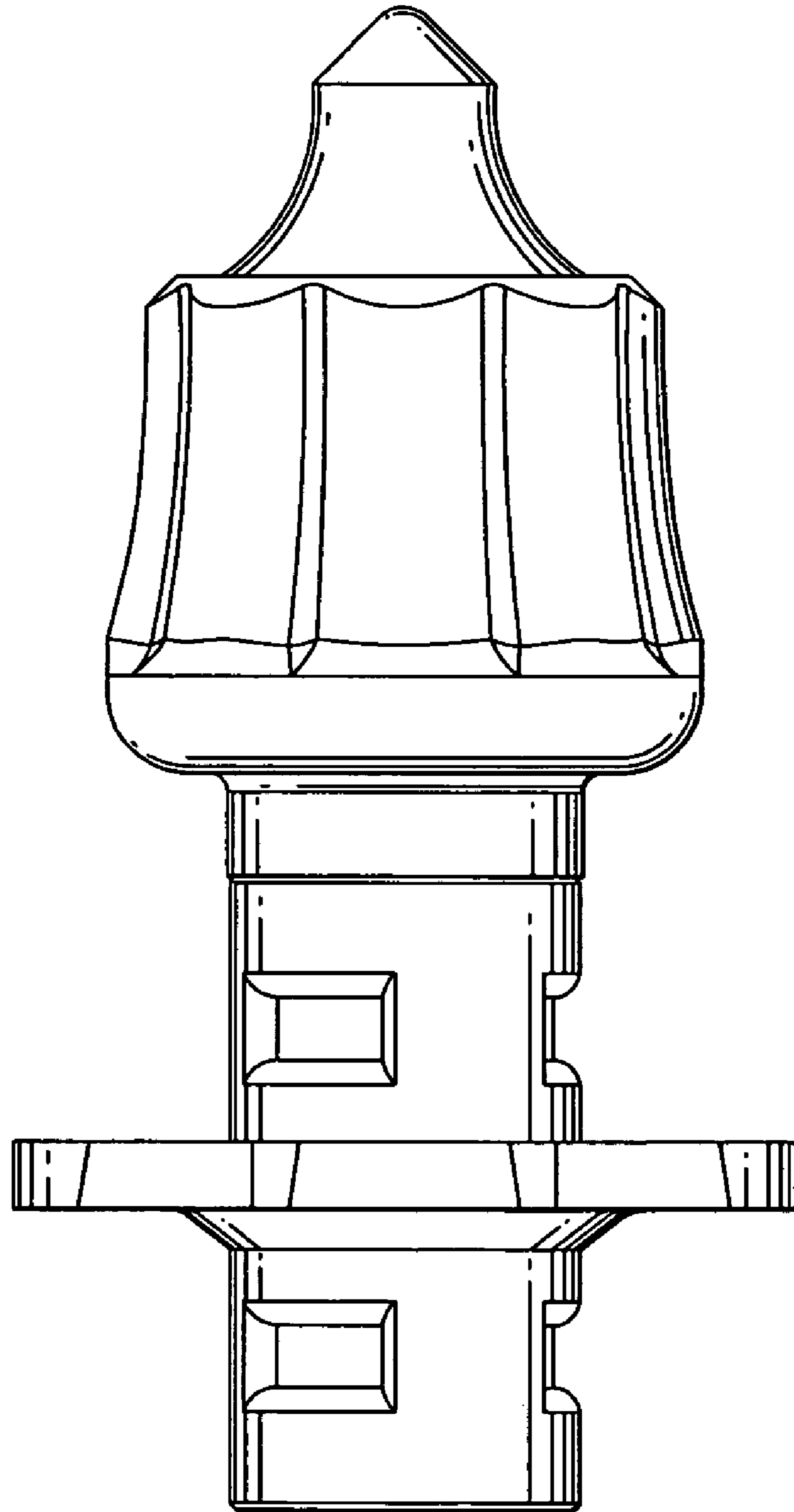


FIG. 5

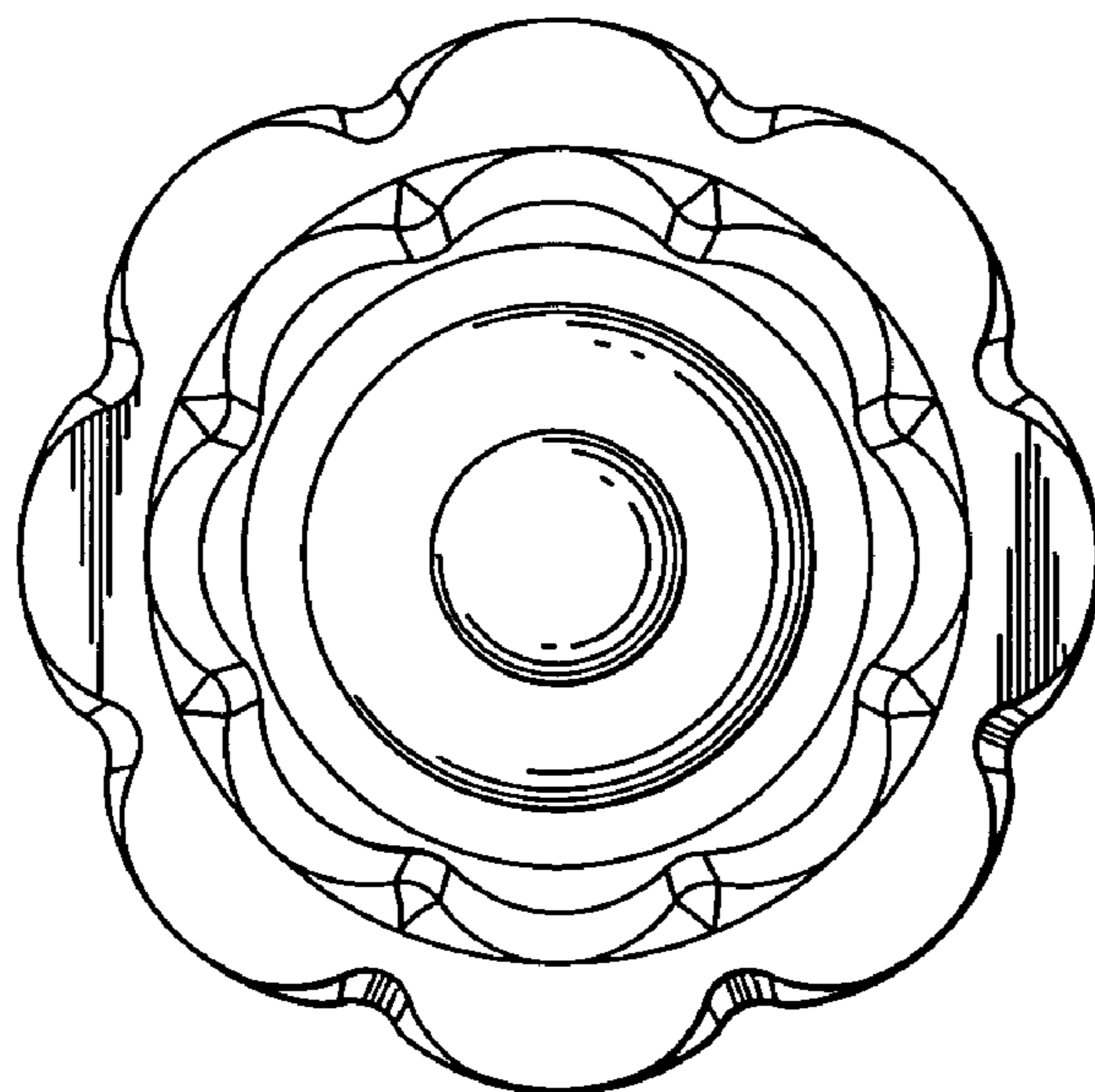


FIG. 6

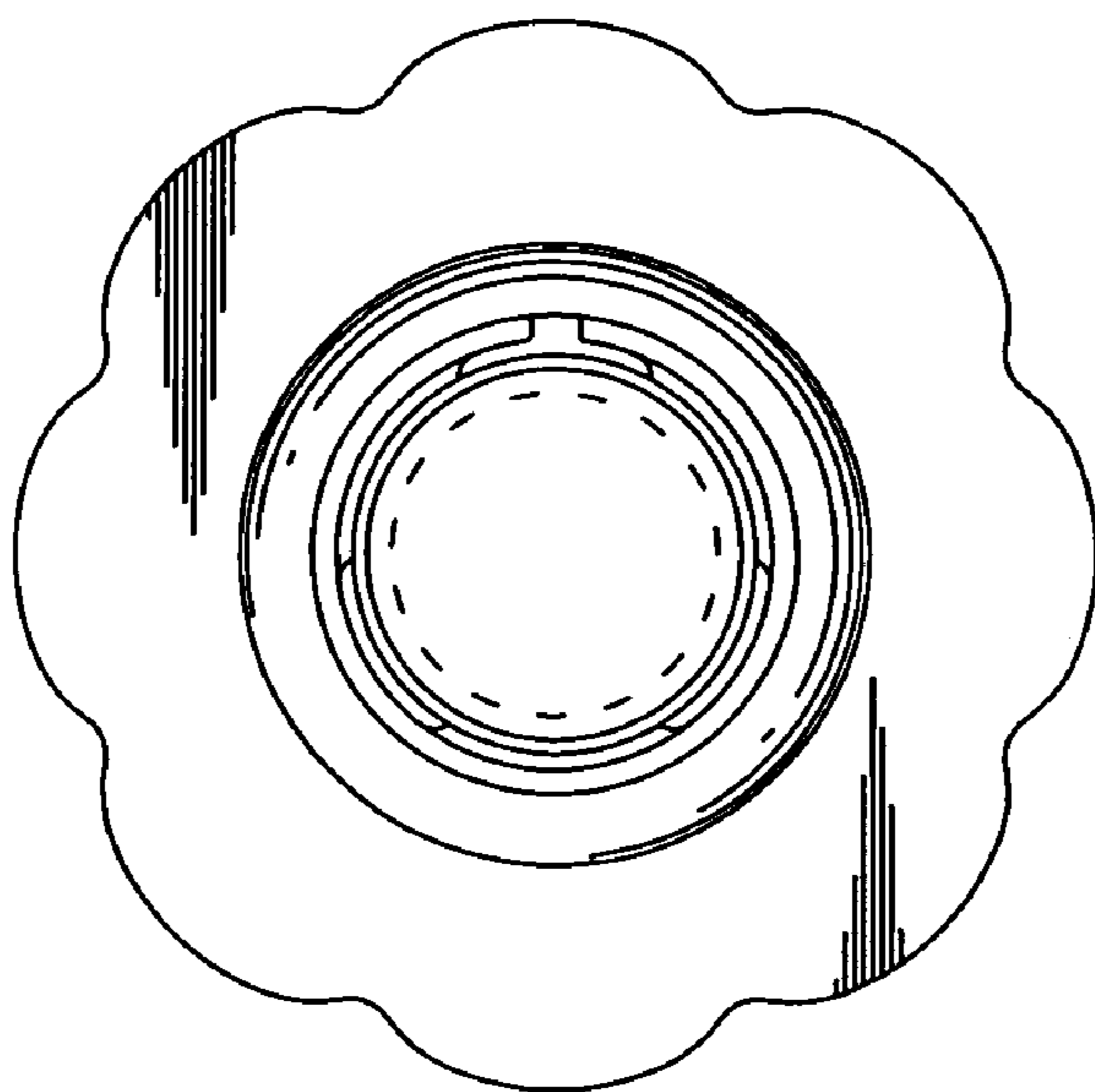


FIG. 7